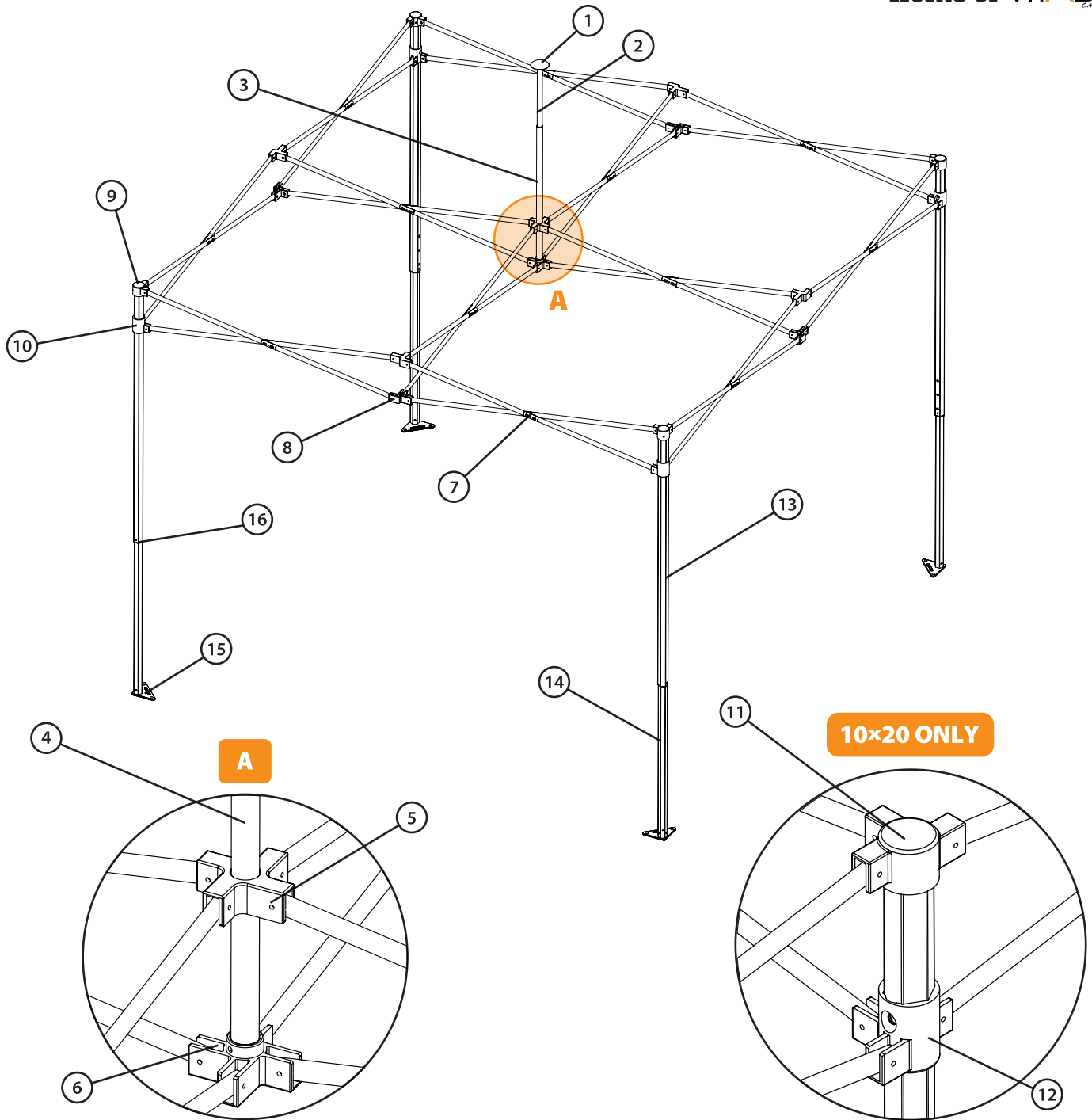


# Parts Diagram



## Pop-Up Information :

Tent Type: V3 X-Pert  V4 Lite Classic Line  V4 Steel Classic  V5 Value Line

Tent Size: 10x10  10x15  10x20  other \_\_\_\_\_

Invoice# (Optional) :

Invoice Date (Optional) :

For Internal Use Only: W  S  O

Parts List	V3 X-Pert	V4 Lite Classic Line	V4 Steel Classic	V5 Value Line
Part # 1 Peak Pole Cap	Price: \$6 Qty: ____	Price: \$4 Qty: ____	Price: \$4 Qty: ____	Price: \$4 Qty: ____
Part # 2 Upper Peak Pole	Price: \$13 Qty: ____	Price: \$8 Qty: ____	Price: \$8 Qty: ____	Price: \$8 Qty: ____
Part # 3 Lower Peak Pole	Price: \$13 Qty: ____	Price: \$10 Qty: ____	Price: \$10 Qty: ____	Price: \$10 Qty: ____
Part # 4 Mast Spring	Price: \$8 Qty: ____	Price: \$5 Qty: ____	Price: \$5 Qty: ____	Price: \$5 Qty: ____
Part # 5 Upper Peak Pole Bracket	Price: \$12 Qty: ____	Price: \$9 Qty: ____	Price: \$9 Qty: ____	Price: \$9 Qty: ____
Part # 6 Lower Peak Pole Bracket	Price: \$12 Qty: ____	Price: a\$9 Qty: ____	Price: \$9 Qty: ____	Price: \$9 Qty: ____
Part # 7 Frame Truss	Price: \$35 Qty: ____	Price: \$26 Qty: ____	Price: \$26 Qty: ____	Price: \$22 Qty: ____
Part # 8 Bracket	Price: \$9 Qty: ____	Price: \$5 Qty: ____	Price: \$5 Qty: ____	Price: \$5 Qty: ____
Part # 9 Corner Leg Cap	Price: \$12 Qty: ____	Price: \$7 Qty: ____	Price: \$7 Qty: ____	Price: \$7 Qty: ____
Part # 10 Corner Leg Slider	Price: \$12 Qty: ____	Price: \$7 Qty: ____	Price: \$7 Qty: ____	Price: \$7 Qty: ____
Part # 11 Middle Leg Cap (10x20)	Price: \$15 Qty: ____	Price: \$9 Qty: ____	Price: \$9 Qty: ____	Price: \$9 Qty: ____
Part # 12 Middle Leg Slider (10x20)	Price: \$15 Qty: ____	Price: \$9 Qty: ____	Price: \$9 Qty: ____	Price: \$9 Qty: ____
Part # 13 Upper Leg	Price: \$36 Qty: ____	Price: \$25 Qty: ____	Price: \$25 Qty: ____	Price: \$20 Qty: ____
Part # 14 Lower Leg	Price: \$36 Qty: ____	Price: \$25 Qty: ____	Price: \$25 Qty: ____	Price: \$20 Qty: ____
Part # 15 Footplate	Price: \$22 Qty: ____	Price: \$4 Qty: ____	Price: \$4 Qty: ____	Price: \$4 Qty: ____
Part # 16 Push-Button	Price: \$5 Qty: ____	Price: \$22 Qty: ____	Price: \$22 Qty: ____	Price: \$22 Qty: ____
<b>Subtotal:</b>				
* Shipping/Handling Not Included				<b>Total:</b>

Billing Information		
Company Name:		
Contact Name:		
Email:		
Address:		
City:	State:	Zip Code:
Phone:	Fax:	

Credit Card Information	
Credit Card: Visa <input type="checkbox"/> Master Card <input type="checkbox"/> Amex <input type="checkbox"/>	
Card No.	
Exp. Date:	CVV:
Company Name:	
Card Holder's Name:	
Signature:	
Order Total*:	
*Shipping/Handling Not Included	

Shipping Information		
<input type="checkbox"/> Check here if Billing/Shipping are the same		
Company Name:		
Contact Name:		
Address:		
City:	State:	Zip Code:
Phone:		

**Return this form via:**



**Email: info@instent.com**  
**Fax: 714.842.7757**