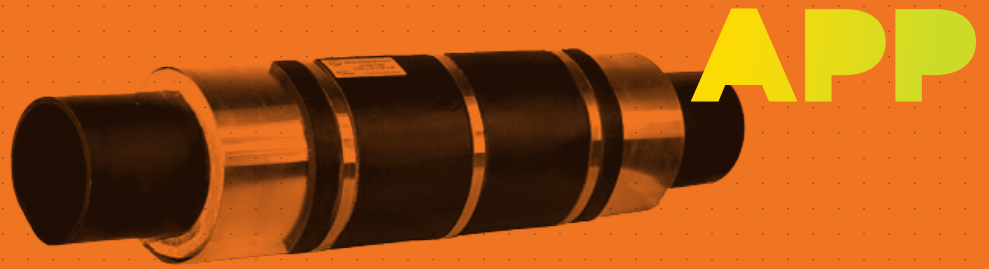


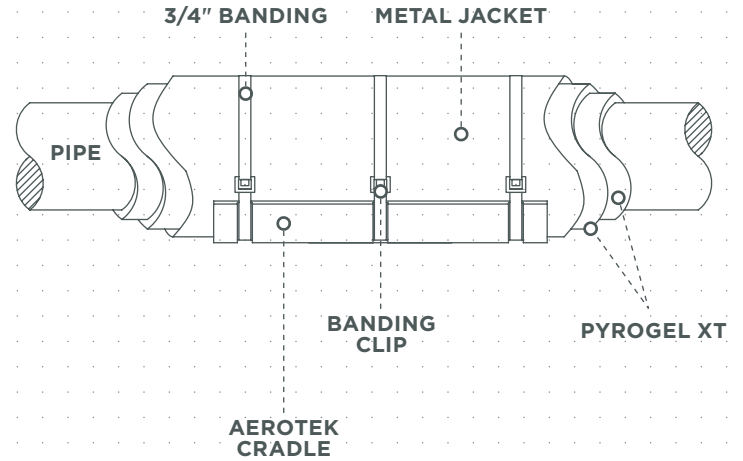
AeroTek Cradle

TECHNICAL DATA SHEET



TECHNICAL DATA

PRODUCT NAME	AeroTek Cradle
USES	Composite cradle used to protect pipe insulation
DESCRIPTION	AeroTek Cradle is a cost-effective way to protect pipe insulation from support point abrasion in hot or cold services. Fiber-reinforced vinyl ester resin is molded to the exact dimensions of the insulation system. The composite cradle is banded to the piping assembly at the support locations using stainless steel bands. The bands are recessed in grooves cut into the outer surface of the cradle to prevent contact with the support underneath.



FEATURES

- » Eliminates the need for pre-insulated pipe supports
- » Compatible with any type of load-bearing insulation
- » Lightweight for ease of installation

PROPERTIES

COMPOSITION	APP-VEFR
COMPRESSIVE STRENGTH	Depends on load-bearing insulation.
TEMPERATURE RANGE	-320°F to 400°F

ACCESSORIES

- » Banding (BI-C206)
- » Banding Clips (BI-C256)
- » Banding Tool (BI-C001)