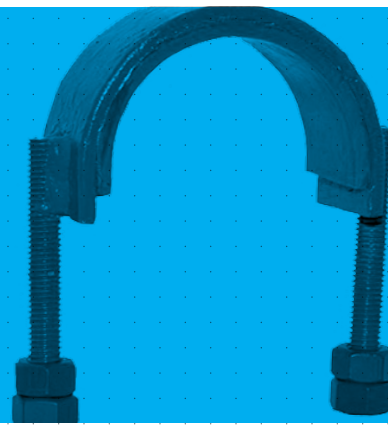


# Urethane-Lined Hold Down Strap

## TECHNICAL DATA SHEET



APP

### TECHNICAL DATA

<b>PRODUCT NAME</b>	Urethane-Lined Hold Down Strap
<b>USES</b>	Restrict pipe movement while protecting the coating of uninsulated carbon steel pipes
<b>DESCRIPTION</b>	APP molds a heavy duty, heat cured polyurethane liner used for pipe rollers in offshore applications to the inner diameter of a strap to ensure that delamination does not occur, even in extreme applications.

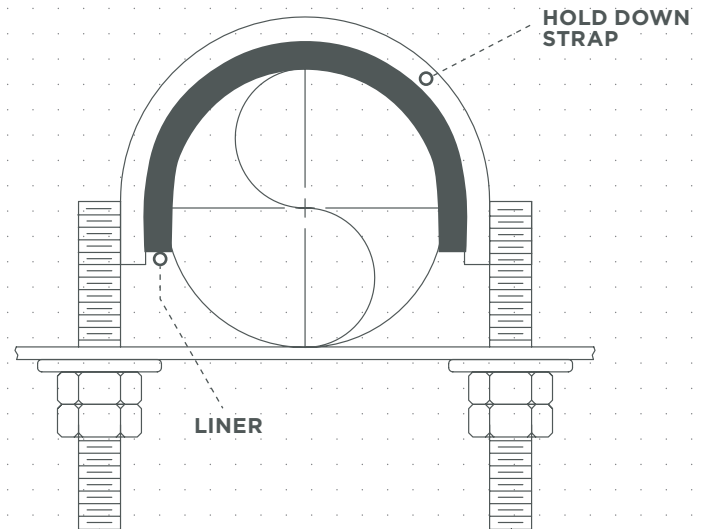
### FEATURES

- » Eliminates metal-to-metal contact
- » Liner is molded directly into the strap inner diameter to ensure high quality performance
- » Delamination does not occur since the liner is molded (not bonded) to the strap
- » Contains UV inhibitors to protect against UV attack

### PROPERTIES

<b>COMPOSITION</b>	APP-UT80A Urethane (liner) + Hot-Dipped Galvanized Carbon Steel (hold down strap)
<b>LINER HARDNESS</b>	80 Shore A
<b>LINER TENSILE STRENGTH</b>	2,500 psi
<b>LINER ELONGATION</b>	400%
<b>TEMPERATURE RANGE</b>	-40°F to 175°F

FRONT VIEW



SIDE VIEW

