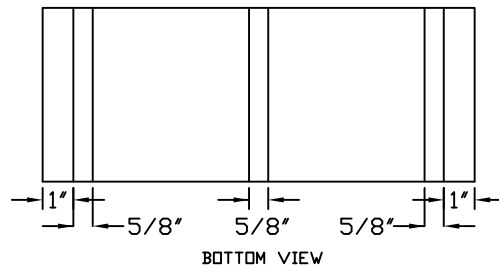
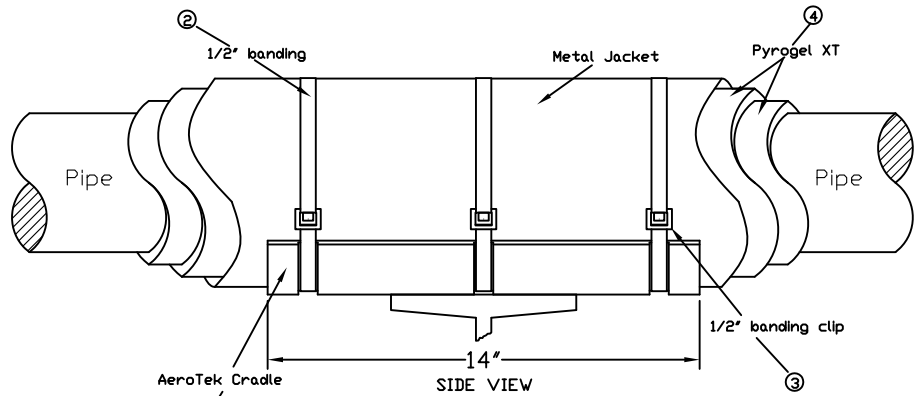
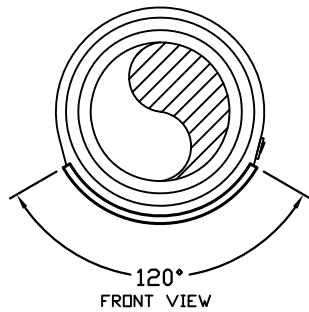


PIPE SIZE	1/2"	3/4"	1"	2"	3"	4"	6"	8"	10"	12"	14"
CRADLE ID	2.415	2.625	2.89	3.95	5.075	6.075	8.2	10.2	12.325	14.325	15.575
PAD THK.	1/4"	1/4"	1/4"	1/4"	1/4"	1/4"	1/4"	1/4"	1/4"	1/4"	1/4"
ANGLE "A"	120°	120°	120°	120°	120°	120°	120°	120°	120°	120°	120°
LENGTH	14"	14"	14"	14"	14"	14"	14"	14"	14"	14"	14"



NOTE:

As noted, the above AeroTek ID is based on installing two (2) layers of 10mm thick Pyrogel XT Insulation on the pipe complete with a metal jacket. If an other insulation thickness is used, the AeroTek Cradle ID will need to be recalculated per the calculation below:

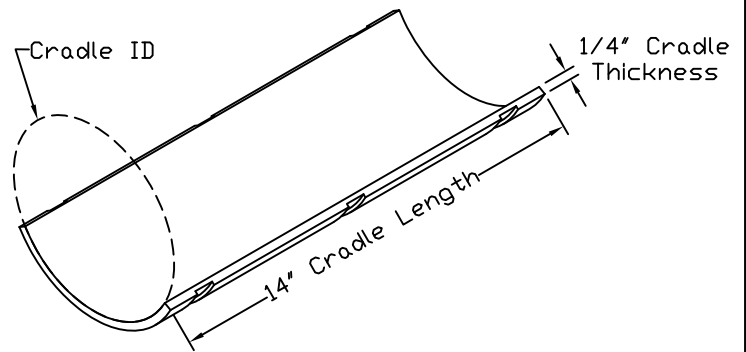
$$\text{AeroTek Cradle ID} = \text{Pipe OD} + (2 \times \text{insulation thickness})$$

HOW TO ORDER:

Description:

Cradle 6.075" X 1/4" X 120° X 14"

- 6.075" Cradle ID
- 1/4" Cradle Thickness
- 120° Pipe Coverage
- 14" Cradle Length



Part Number:

ATK 6.075 00250 120 14

APP AeroTek Cradle Designation \uparrow \uparrow \uparrow \uparrow \uparrow Cradle Length in Inches
 Cradle ID \uparrow \uparrow Degrees of Pipe Coverage
 Cradle Thickness in Decimal Inches \uparrow

ITEM	QTY	DESCRIPTION	MATERIAL
1	1	AeroTek Cradle	Vinyl Ester Resin
2	3	1/2" banding	Stainless Steel
3	3	1/2" banding clip	Stainless Steel
4	1	Insulation	Pyrogel XT

CUSTOMER DATE: CD NAME: CONTACT: TEL. NO. E-MAIL: RFQ: PD: REF:	DWN.	DATE	3/18/15	
	CHK.			
	ENG.			
	MFG.			
	APPR.			
	SD			
ADVANCED PIPING PRODUCTS 5611 Guhn Road Suite A1, Houston, TX 77040 Tel. 713-956-2922 Fax 713-956-4090 www.appinc.co				
DWG DESCRIPTION APP 1/4" Th X 120° X 14" Long AeroTek Cradle				
	SIZE	A	ATK0315	REV. 0
	SCALE	None		SHEET 1 OF 1
	NEXT ASSY	QTY		