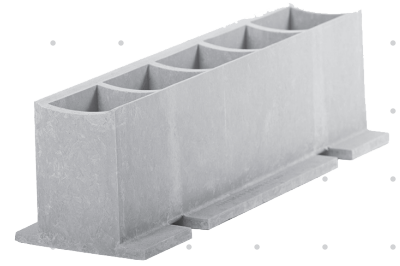
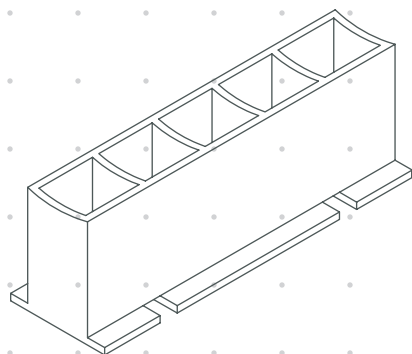
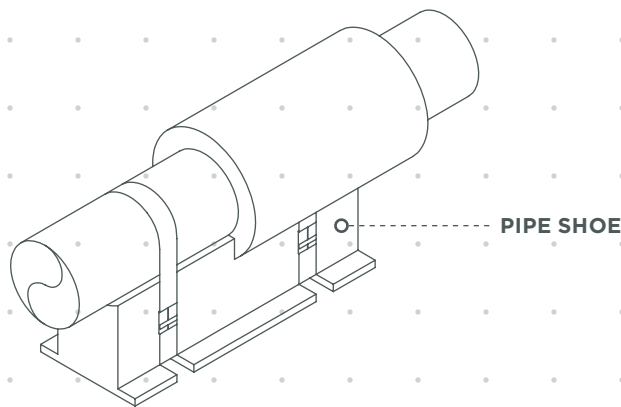


ProTek Composite Pipe Shoe



ProTek Composite Pipe Shoe is a UV-resistant, non-metallic solution for elevated or insulated piping systems at the support points. It has 150,000 lbs. of compressive strength, a temperature range of -320°F to +400°F and is resistant to chemical attack. It is the optimal support for insulated or elevated piping systems in plants or refineries, both onshore and offshore.



THREE STANDARD DIMENSIONS:

12" x 4" x 4"
(1/2" thru 3" pipe)

14" x 5-1/2" x 4"
(4" thru 8" pipe)

18" x 5-1/2" x 6"
(4" thru 8" pipe)

BENEFITS

- » Resilient to chemical and UV attack
- » Our composite, non-conductive material does not promote heat transfer, unlike metallic shoes, keeping the line at a constant temperature
- » Lightweight composite material allows for ease of installation and transportation
- » Installed using two stainless steel bands, effectively eliminating the need for welding and avoiding metal-to-metal contact. Can be installed in a fraction of the time it takes to install a metallic shoe and does not require skilled labor

SPECIFICATIONS

COMPOSITION	APP-VEFR
MAX COMPRESSIVE STRENGTH	150,000 lbs.
TEMPERATURE RANGE	-320°F to +400°F
INSTALLATION	The pipe is fastened to the shoe by stainless steel bands.
REQUIRED ACCESSORIES	Steel bands, banding clips and banding tool, silicone
CUSTOM MANUFACTURING	Available in any pipe diameter, height and length