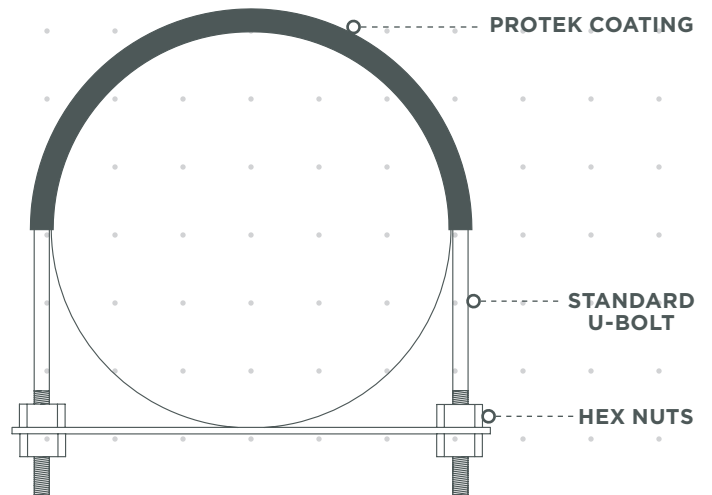


# ProTek U-Bolts



ProTek U-Bolts combine the strength and simplicity of a u-bolt with our advanced polymer technology. They successfully restrain the pipe while shielding it from metal-to-metal contact and rough abrasion from pipe movement. The ProTek coating is strong enough to withstand high compressive loads and harsh environmental conditions, but has a low coefficient of friction to seamlessly cradle the pipe.



## BENEFITS

- » Eliminates metal to metal contact that could damage pipe coatings and lead to corrosion
- » Coating has a low coefficient of friction to allow pipe movement
- » Low cost of installation
- » Product helps minimize maintenance and operational costs throughout the lifetime of the piping system
- » Can be used on any type of pipe.

## SPECIFICATIONS

<b>COMPOSITION</b>	APP-CLPM
<b>TENSILE STRENGTH (ASTM D412)</b>	1,500 lbs. per square inch
<b>TEMPERATURE RANGE</b>	-67°F to 230°F
<b>INSTALLATION</b>	Four heavy hex nuts
<b>POTENTIAL ACCESSORIES</b>	ProTek Package (ProTek Wear Pad and ProTek Flat Plate)
<b>CUSTOM MANUFACTURING</b>	Available in custom sizes and metal finishes including stainless steel.