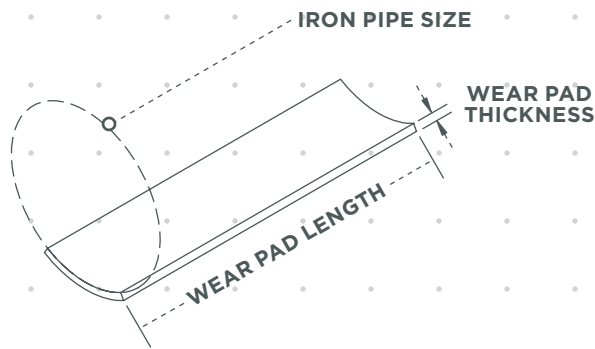
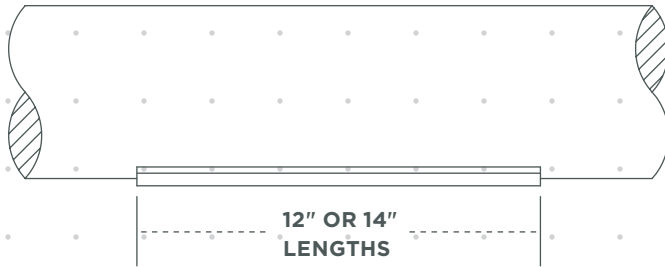
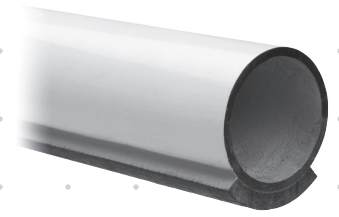


ProTek Composite Wear Pad



ProTek Composite Wear Pads are designed to prevent metal-to-metal contact in piping systems. They effectively isolate the pipe from contact with I-Beams, guides or concrete supports. These areas are the most susceptible to corrosion and cost millions to repair and maintain. Our wear pads are the most cost-effective solution to piping system corrosion.

BENEFITS

- » Low cost of installation: no welding, hot work permits or highly skilled personnel required
- » Product minimizes maintenance and operational costs throughout the lifetime of the piping system
- » Wear Pad inside diameter (ID) precisely matches outer diameter of pipe
- » Wear Pad ID is pre-roughened for exceptionally high epoxy-to-wear pad bonding strengths as verified by ASTM D5528-01
- » APP provides on-site installation training and inspection services for all fabricators, constructors and end users that install our products at no charge

SPECIFICATIONS

COMPOSITION	APP-VEFR
MAX COMPRESSIVE STRENGTH	53,000 lbs. per ASTM E8
TEMPERATURE RANGE	-320°F to +400°F
INSTALLATION	EX-100 Epoxy System
REQUIRED ACCESSORIES	Epoxy, static mixing nozzle, manual dual epoxy applicator
CUSTOM MANUFACTURING	Available in any thickness, degrees of coverage and length