

BILL OF MATERIALS

ITEM NO.	PART NUMBER	QTY.
1	SVR-4,999 Primary Assy	1
2	SVR-4,999 Secondary Assy	1
3	SVR-4,999 Pedestal Assy	2
4	Interstitial Vent	2
5	50NB BSP Dip	1
6	80NB BSP Fill	1
7	150NB BSP E Vent	1
8	50NB BSP Free to Air	1
9	80NB BSP Connection	2
10	50NB BSP Interstitial Monitor	1
11	50NB BSP Connection	6
12	Spill Containment 450 x 450 x 450	1
13	Access Platform 1400	1
14	50NB Overfill Protection Assy (C/W Todo Coupling)	1
15	Earth Lug	2
16	SuperVault Serial Plate	1

CUSTOMER SIGN OFF & TANK COLOUR

CLIENT APPROVAL (MUST BE COMPLETED BY CLIENT)

SIGN: _____

PRINT: _____

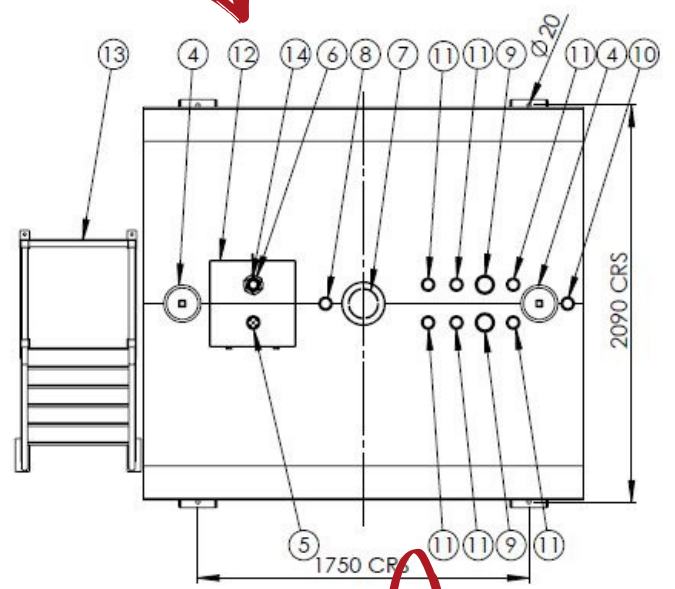
DATE: _____

TANK COLOUR: _____

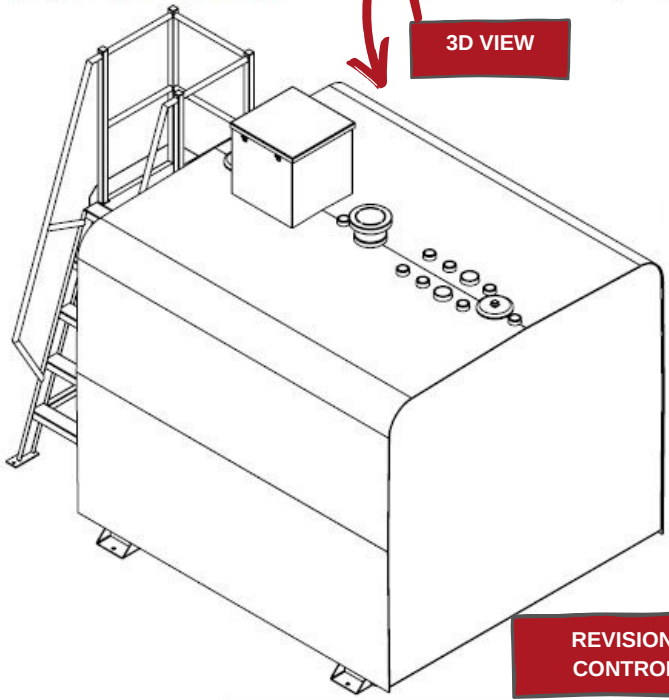
APPROXIMATE WEIGHT: 4,544 kg

(Due to the nature of Supervault insulation this weight is only an estimate, as it can vary by upto 10%. This should be taken into consideration when designing foundations and making transport arrangements).

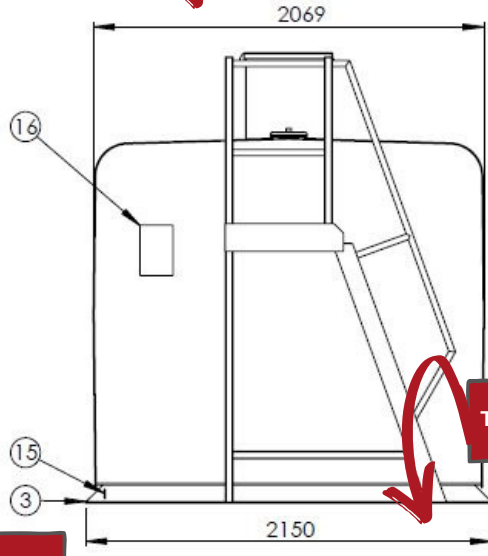
TOP VIEW



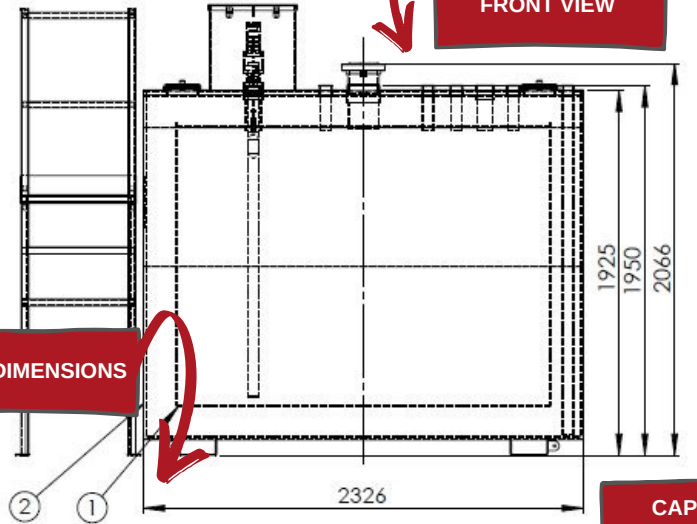
3D VIEW



SIDE VIEW



FRONT VIEW



TANK DIMENSIONS

REVISION CONTROL

REV	DATE	NAME	MODIFICATION DESCRIPTION
C	18/04/2019	DL	2 x 50NB FITTINGS ADDED AS REQUESTED
B	15/04/2019	DL	SPILL CONTAINMENT/OVERFILL PROTECTION/ACCESS PLATFORM ADDED
A	07/11/2018	DL	SUBMITTED FOR CLIENT APPROVAL



fuel chief
 5 Tanya Street, Bromley, P.O. Box 41-029,
 Christchurch 8247, NEW ZEALAND
 Tel: 64 3 384 2380 Fax: 64 3 384 2388
 Email: sales@fuelchief.co.nz

COPYRIGHT THIS DRAWING MUST NOT BE LOANED, COPIED OR REPRODUCED WITHOUT WRITTEN PERMISSION FROM FUELCHIEF

UNLESS OTHERWISE SPECIFIED, DIMENSIONS ARE IN MILLIMETERS

THIRD ANGLE PROJECTION

DO NOT SCALE DRAWING SCALE 1:25 SHEET 1 OF 1

TITLE: CLIENT DRAWING FOR SVR-4,999
 CAPACITY 4,999 LITRES
 SAFE FILL 4,849 LITRES

DWG No. SVR-4,999

A3

MODEL NUMBER

CAPACITY & SAFE FILL