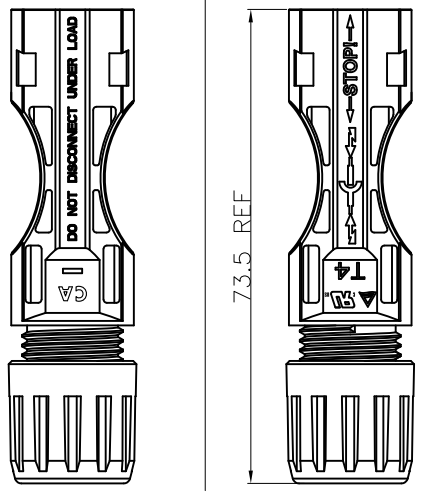
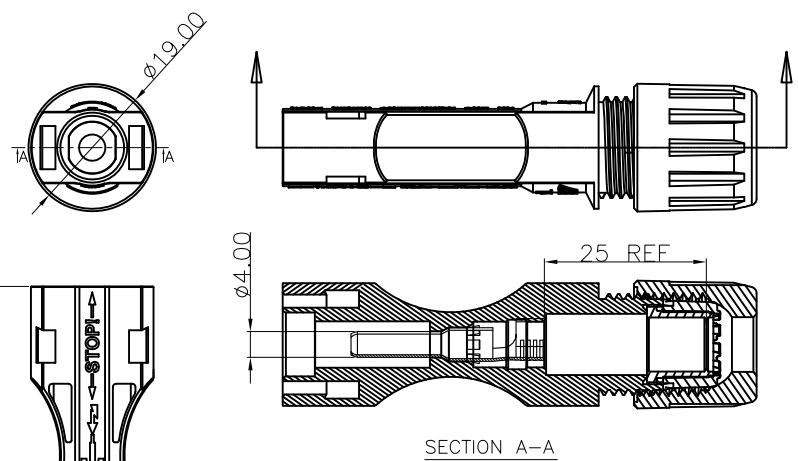


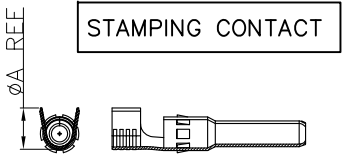
PART NO. CA-H629011-1X

REVISIONS				
LTR	DESCRIPTION	DATE	APPROVED	
A	INITIAL RELEASE SEE DO H8055	James 11/08/18'	Ray	

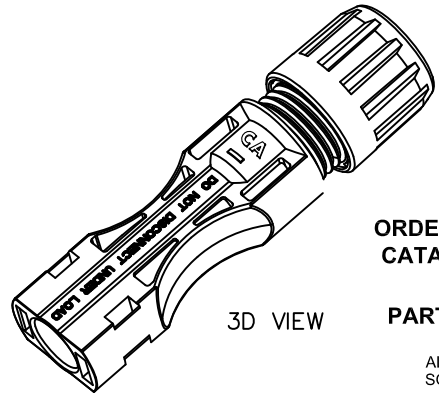
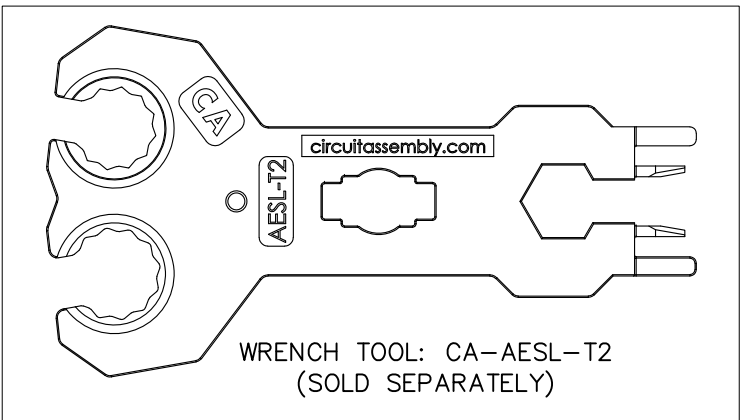
D
C
B
A



73.5 REF



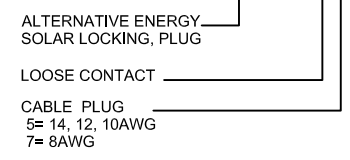
STAMPING CONTACT



3D VIEW

ORDERING NOMENCLATURE:
CATALOG NO.: T4-1500

PARTNO: CA-H629011-1X



Part No.	Accept wire conductor size	"A"
CA-H629011-15	2.5mm ² /14AWG	5.6
	4.0mm ² /12AWG	
	6.0mm ² /10AWG	
CA-H629011-17	10.0mm ² /8AWG	6.4

CONTACT SIZE	2.5mm /14AWG	4.0mm /12AWG	6.0mm /10AWG	10.0mm /8AWG
RATED CURRENT	15A/UL	20A/UL	30A/UL	50A/UL
RATED VOLTAGE	1500V(IEC/CE) 1500V(UL)			
TEST VOLTAGE	8kV(50Hz,1min)			
OVERVOLTAGE CATEGORY/POLLUTION DEGREE	CATIII/1			
CONTACT RESISTANCE OF PLUG CONNECTORS	0.5mΩ			
LOCKING SYSTEM	SNAP-IN			
DEGREE OF PROTECTION, MATED	IP67			
DEGREE OF PROTECTION, UNMATED	IP2X			
SAFETY CLASS	II			
AMBIENT TEMPERATURE RANGE	-40°C ~ +90°C (IEC/CEI) -40°C ~ +90°C (UL)			
UPPER LIMITING TEMPERATURE	105°C (IEC/CE)			
CERTIFICATION	UL AND TUV			
STRIP LENGTH	7.00mm			

2. USE CRIMPING TOOL CA-AES-CT-15 TO CRIMP CONTACT, REFER TO CA DWG # H120014
3. MEETS THE REQUIREMENTS OF THE EUROPEAN PARLIAMENT AND THE RESTRICTION OF THE USE OF CERTAIN HAZARDOUS SUBSTANCES INELECTRICAL AND ELECTRONIC EQUIPMENT. (ROHS)
4. THE SOLAR CONNECTOR ARE COMPATIBLE WITH XLP AND LXEP CABLE WHEN RATED AT 1,500V.
5. CONNECTORS ARE SUITABLE FOR USE WITH PV, USE, AND USE-2 UL RECOGNIZED CABLE.

NOTES : UNLESS OTHERWISE SPECIFIED

DIMENSIONS ARE IN MILLIMETERS TOLERANCES ARE:		APPROVALS	DATE
DRAWN	James		11/05/18
CHECKED	Ray		11/05/18
APPROVED	Ray		11/05/18
<small>THE INFORMATION AND DESIGN DISCLOSED HEREIN WAS ORIGINATED BY AND IS THE PROPERTY OF CIRCUIT ASSEMBLY CORPORATION. CIRCUIT ASSEMBLY CORPORATION RESERVES ALL PATENT, PROPRIETARY, DESIGN, MANUFACTURING, REPRODUCTION, USE AND SALES RIGHTS THEREFO, AND TO ANY ARTICLE DISCLOSED HEREIN EXCEPT TO THE EXTENT RIGHTS ARE EXPRESSLY GRANTED TO OTHERS. THE FOREGOING DOES NOT APPLY TO VENDOR PROPRIETARY RIGHTS.</small>			
<small>DIMENSIONS IN BRACKETS [X.XX] ARE IN INCHES TOLERANCES ARE:</small>			
DECIMALS	ANGLES		
.X ±.25	±2°		
.XX ±.13			
DECIMALS	ANGLES		
.XX ±.010	±2°		
.XXX ±.005			
DO NOT SCALE DRAWING			

CA CIRCUIT ASSEMBLY SHENZHEN
AO XING ROAD, AOEBI 2ND VILLAGE, HENGGANG TOWN

CONNECTOR ASSEMBLY - (RoHS)
ALTERNATIVE ENERGY SOLAR LOCKING, PLUG
CATALOG NO. T4-1500

SIZE	CODE IDENT NO.	DRAWING NO.	REV.
C	52072	H629011	A

SCALE: 1:1 SHEET 1 OF 1

4 3 2 1