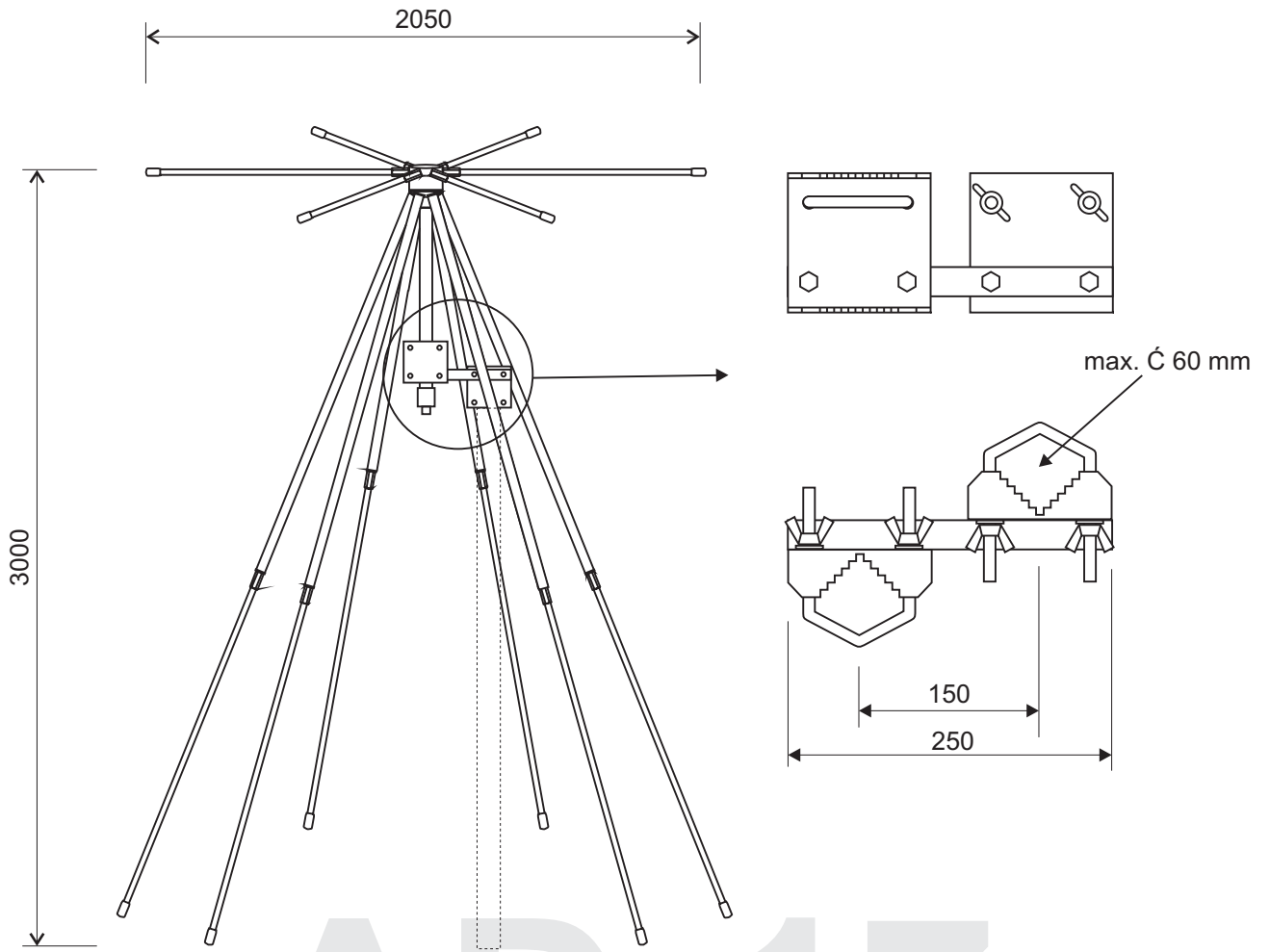


The antenna AD-17 is a wideband VHF “disc-cone” antenna, intended primarily for portable tactical use. The antenna elements are made of composite materials (epoxy and polyester resin, reinforced with fiberglass), ensuring low weight and excellent resistance against atmospheric influences. In spite of a low weight the antenna is robust enough also for stationary use. The antenna is composed of the support head with the tube where a special line transformer is built-in, of six disc elements and six cone elements, the last ones are divided into two sections. With computer synthesis and optimisation, the construction with a minimum possible number of the elements is achieved together with constant electrical characteristics. This construction enables simple and quick erection. All antenna parts are packed in a handy transportable linen bag.

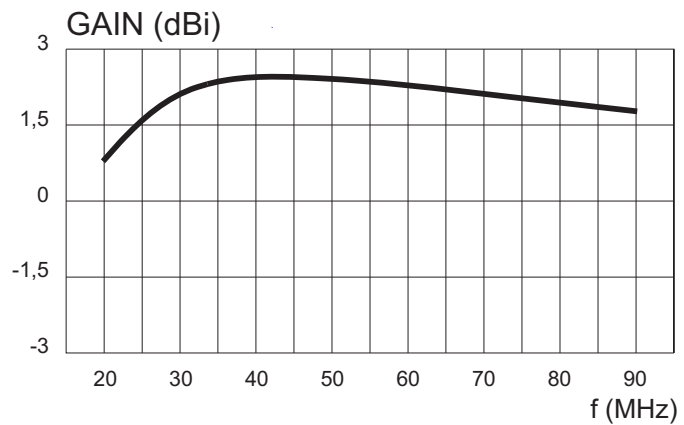
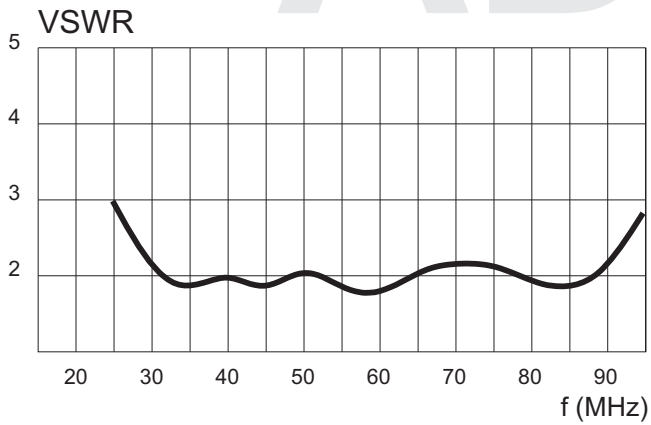


Frequency range	30 - 90 Mhz
Impedance	50 ohm
VSWR	< 3 (DIAG. 1)
Gain	2 dBi (0 dBd)
Polarization	VER.
Maximum power	100 W CW
Radiation pattern	H-omni
Connector	N female
Height	3 m
Width	2,2 m
Mass of antenna	6.1 kg
Wind velocity	120 km/h
Temperature range	-40....+70 °C





AD-17



**AUTHORIZED USA
DISTRIBUTION BY:**

Cyntony Corporation
195 Follen Road
Lexington, Massachusetts
sales@cyntony.com
781-430-0675

cyntony
customer attuned