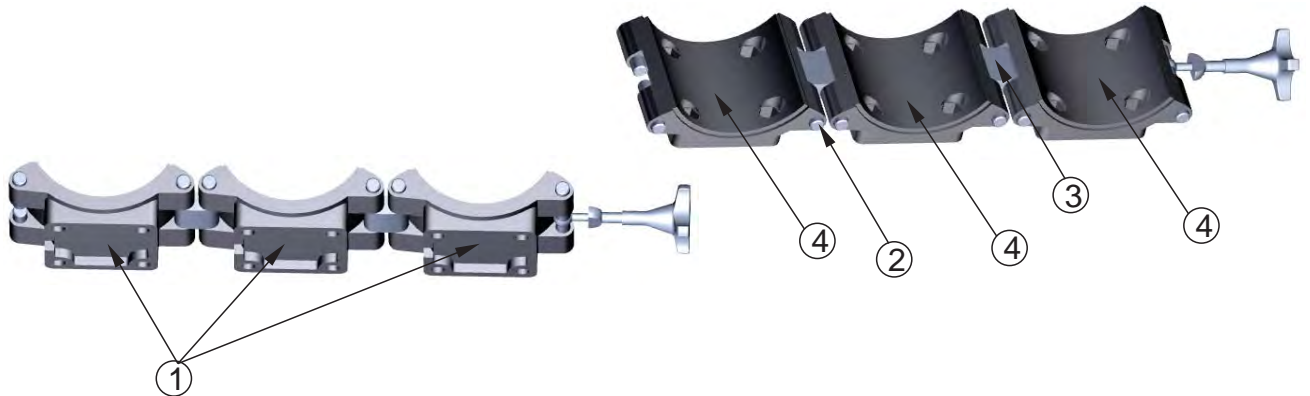
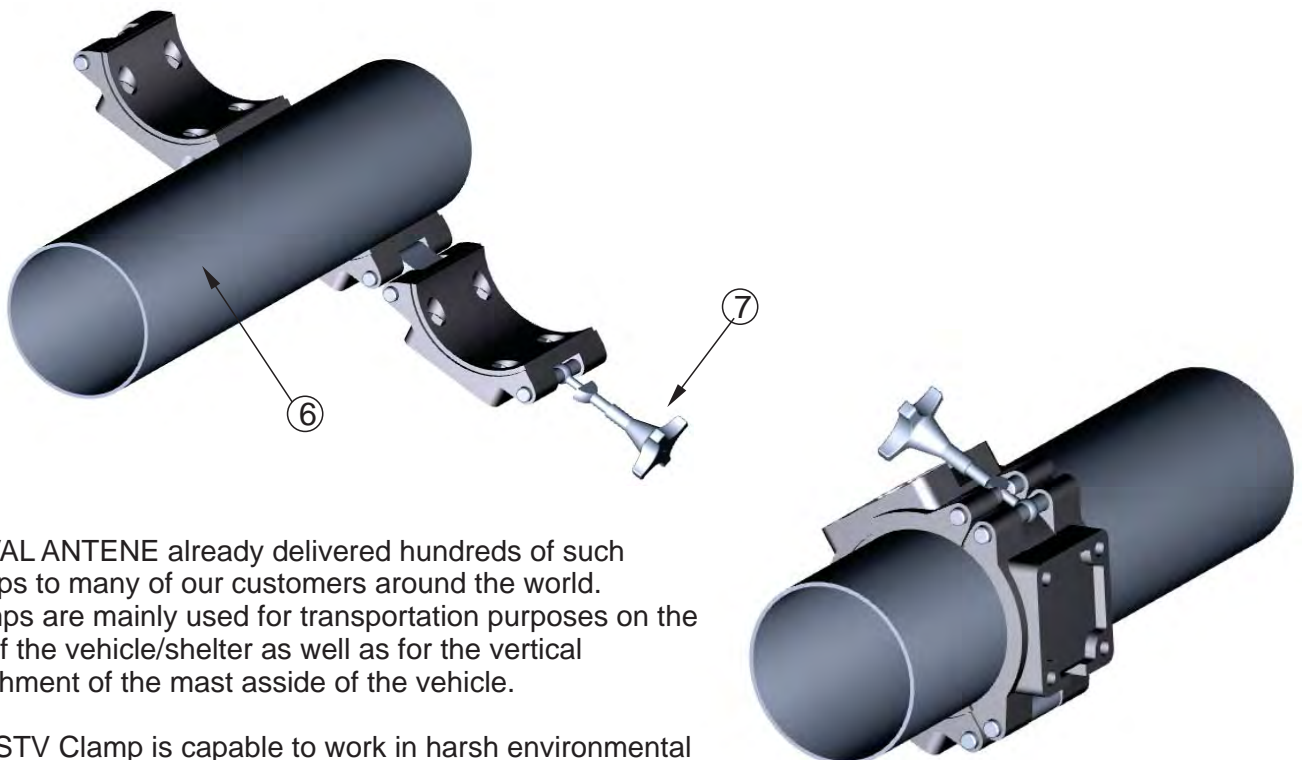


Clamps STV-CL/105x110A and STV-CL/128x110A are made of black anodized aluminium parts and stainless steel. The complete clamp is composed of three equal aluminium rounded parts (1), connected together with shafts(2) and hitches (3). All three parts are coated with the plastic layer (4, enables good sliding of the mast's tube) in order to enable good mast tube grip and to protect the mast surface.



When the mast tube (6) is laid down to the clamp's middle part, we could lock the clamp with closing the other two parts and locking the clamp with big star handle (7) with thread. Turning the star handle makes heavy pressure to the mast section while the „three parts“ clamp design enables this pressure to be equally spaced across the mast section surface.



TRIVAL ANTENE already delivered hundreds of such clamps to many of our customers around the world. Clamps are mainly used for transportation purposes on the top of the vehicle/shelter as well as for the vertical attachment of the mast asside of the vehicle.

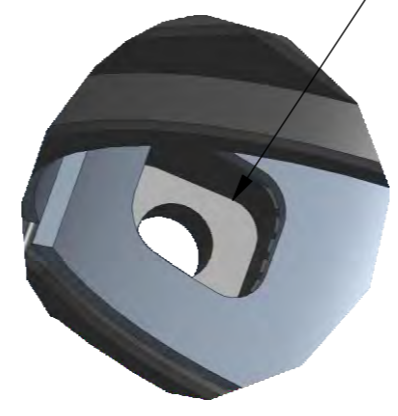
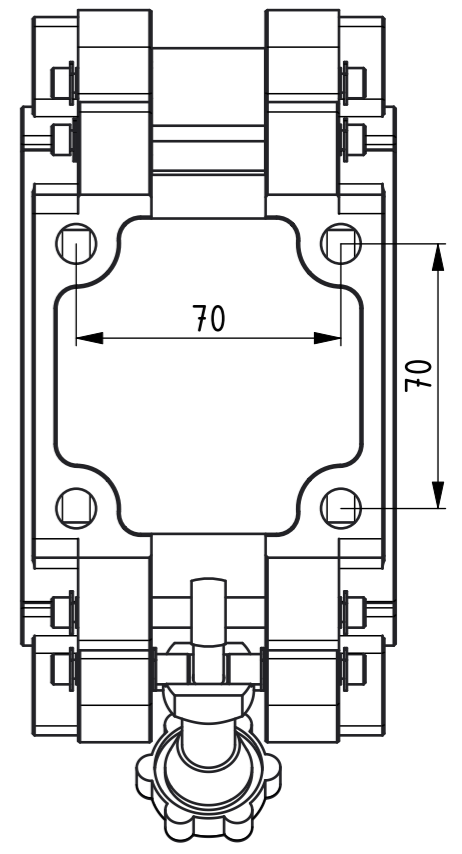
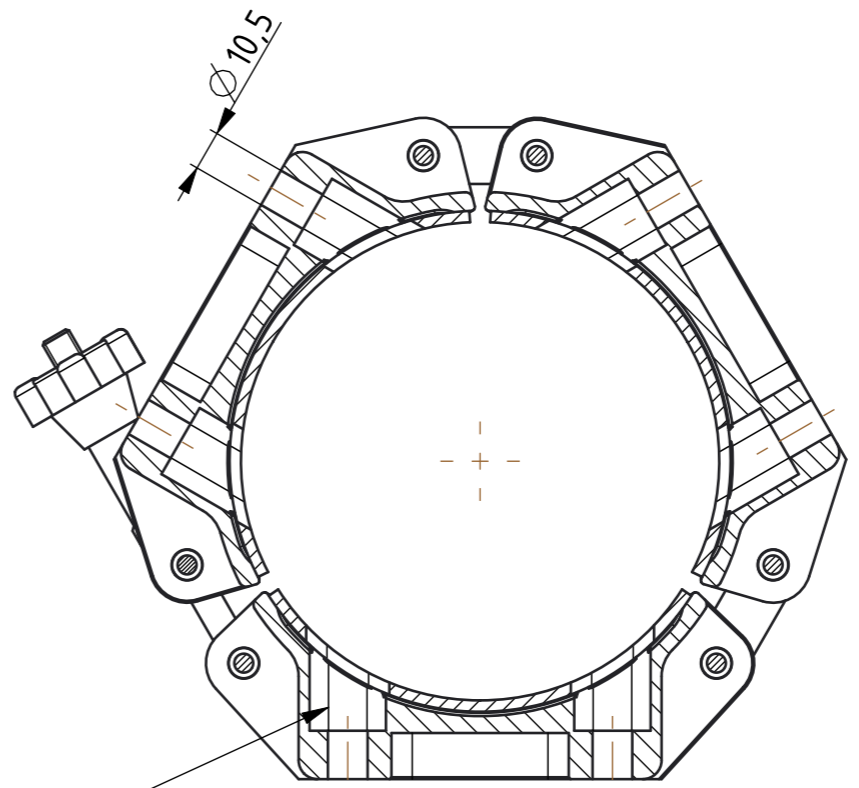
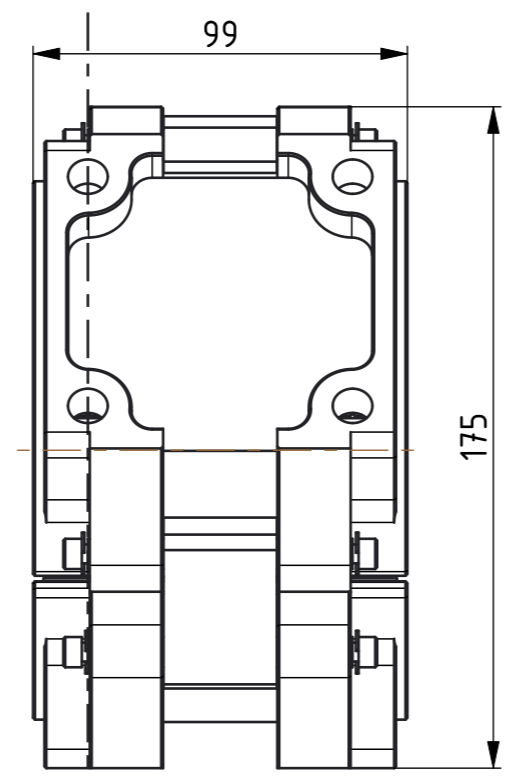
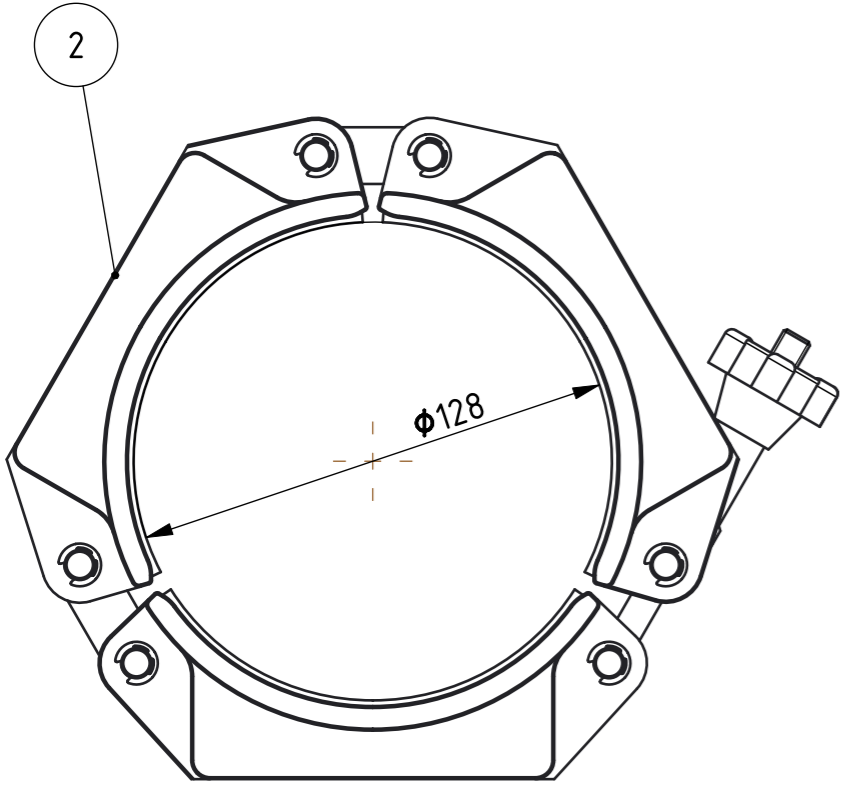
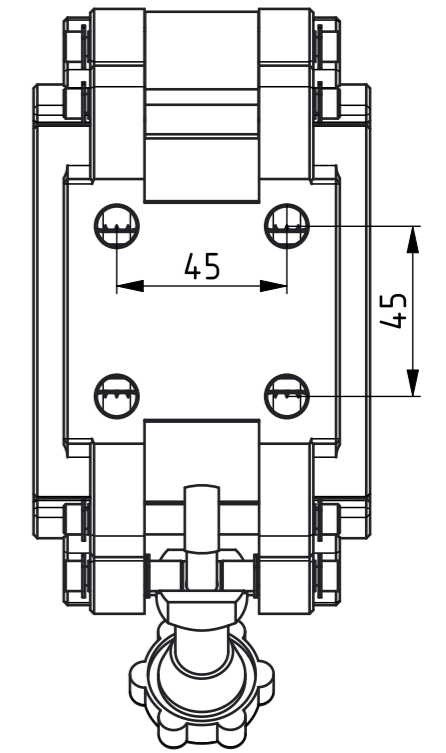
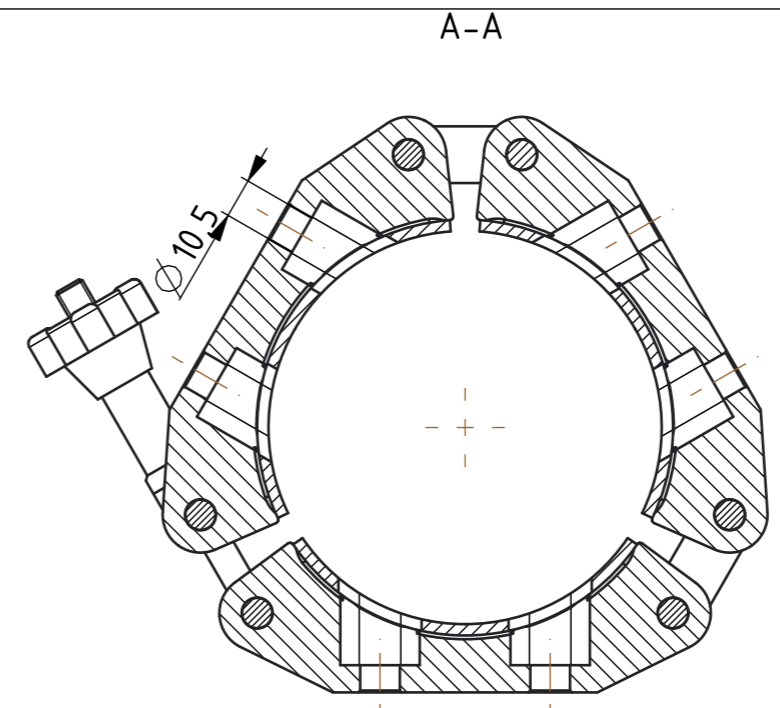
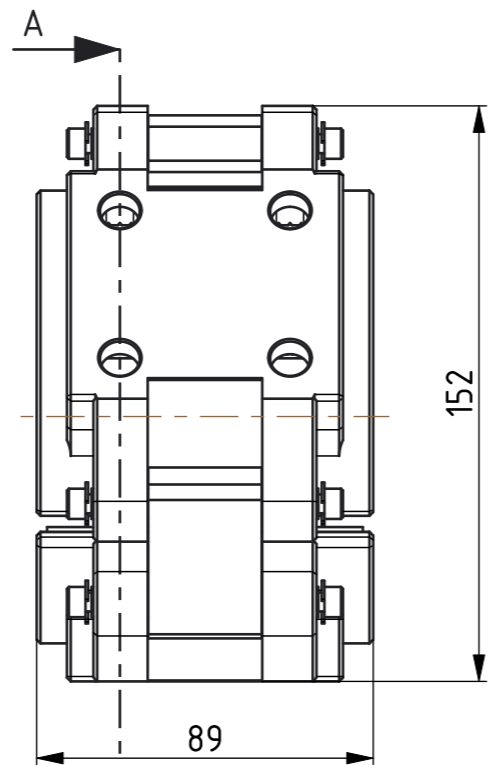
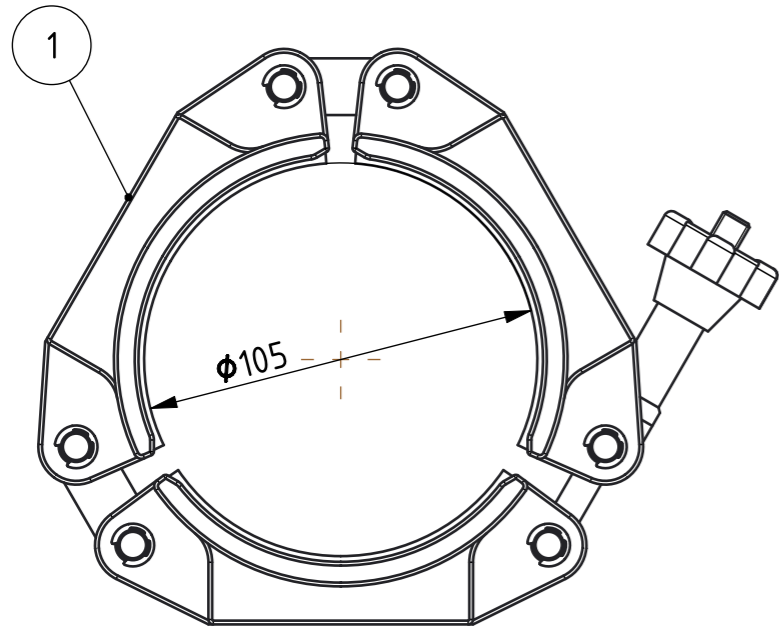
The STV Clamp is capable to work in harsh environmental conditions (low and high temperatures, vibrations, sand, dust).



**AUTHORIZED USA
DISTRIBUTION BY:**

Cyntony Corporation
195 Follen Road
Lexington, Massachusetts
sales@cyntony.com
781-430-0675

cyntony
customer attuned



ROOM FOR M10
SCREW HEAD OR NUT

Pos.	Product name	P/N
2	STV-CL/128x110A	175719-000
1	STV-CL/105x110A	175718-000

Drawn.	Date	Name	Scale:
Checked		DRAGAN M.	Name:
Appr.		DEKLEVA B.	CLAMPS STV-CL
		KOZJEK M.	
			Dwg. no:

Rev.	Change	Date	