



EL640.400-C3 and -CD3

(9.1")

Operation Manual

Table of contents:

1	Product profile	3
2	TFEL technology.....	3
3	Electrical characteristics	4
3.1	Connector layout.....	4
3.2	Input to the display	5
3.3	Control basics	6
3.4	Power input	6
3.5	Connectors.....	7
3.6	Signal inputs	7
3.7	Jumper description	7
3.8	Input specifications	8
4	Display features.....	9
4.1	Display operation modes	9
4.2	Support timing modes	10
4.3	Display enable	11
4.4	200 rows mode.....	11
4.5	Two-bits-parallel data	11
4.6	Brightness control	11
4.7	Self-test.....	11
5	Installation and handling	12
5.1	Video input timing	12
5.2	Setup and hold timing.....	15
6	Operational specifications.....	16
6.1	Environmental	16
6.2	Reliability	16
6.3	EMC.....	16
6.4	Safety.....	16
6.5	Optical.....	17
6.5.1	Display color	17
6.5.2	Optional filter	18
7	Mechanical characteristics	18
7.1	Display external dimensions	18
7.2	Display viewing area characteristics.....	18
8	Description of warranty.....	22
9	Easy to use	22
10	Ordering information	23
11	Support and service.....	23

1 Product profile

The EL640.400-C3 and -CD3 displays are VGA-compatible high-resolution Thin Film Electroluminescent (TFEL) flat panel displays. They feature an integrated DC/DC converter, and their compact dimensions save space that allows addition of features or reduction in overall size. The two displays are mechanically identical.

The EL640.400-C3 and -CD3 are timing-compatible with the EL640.400-CB series displays and signal-compatible with a VGA feature connector supporting the 350- and 400-line standard VGA modes. They may be driven at frame rates up to 80 Hz.

The displays require +5 V_{DC} and +11 V_{DC} ...+30 V_{DC} power input and four to five basic input signals to operate:

- Video Data or pixel information
- Video Clock, pixel clock, or dot clock
- Horizontal Sync
- Vertical Sync
- Blanking in VGA timing modes

2 TFEL technology

A display consists of an electroluminescent glass panel and a mounted circuit board with control electronics.

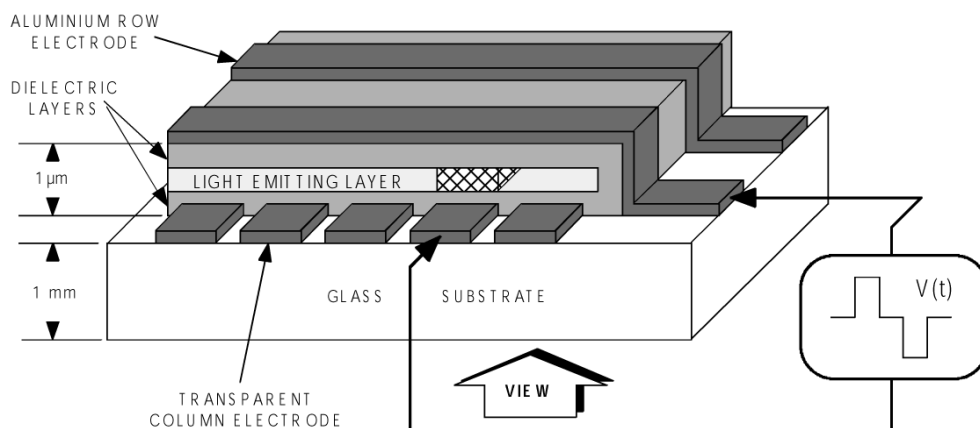


Figure 1. TFEL technology

The TFEL glass panel is a solid-state device with a thin film luminescent layer sandwiched between transparent dielectric layers and a matrix of row and column electrodes. The row electrodes, in back, are aluminum; the column electrodes, in front, are transparent. The entire thin film device is deposited on a single glass substrate. The glass panel is mounted to an electronic circuit assembly board (ECA) with an elastic spacer. The ECA is connected to the TFEL glass panel with soldered lead frames. The result is a flat, compact, reliable and rugged display device.

The EL640.400-CD3 display includes a light absorbing ICEBrite™ (Integral Contrast Enhancement) construction of the display glass. The ICEBrite background significantly improves the luminance contrast of the display in bright ambient. The ICEBrite also removes the halo around the lit pixels in dark ambient, making the appearance of each pixel extremely crisp and clear.

In the EL640.400-C3 and -CD3, the 640 column electrodes and 400 row electrodes are arranged in an X-Y formation with the intersecting areas performing as pixels. Voltage is applied to both the correct row electrode and the correct column electrode to cause a lit pixel. Operating voltages required are provided by an integral DC/DC converter.

3 Electrical characteristics

3.1 Connector layout

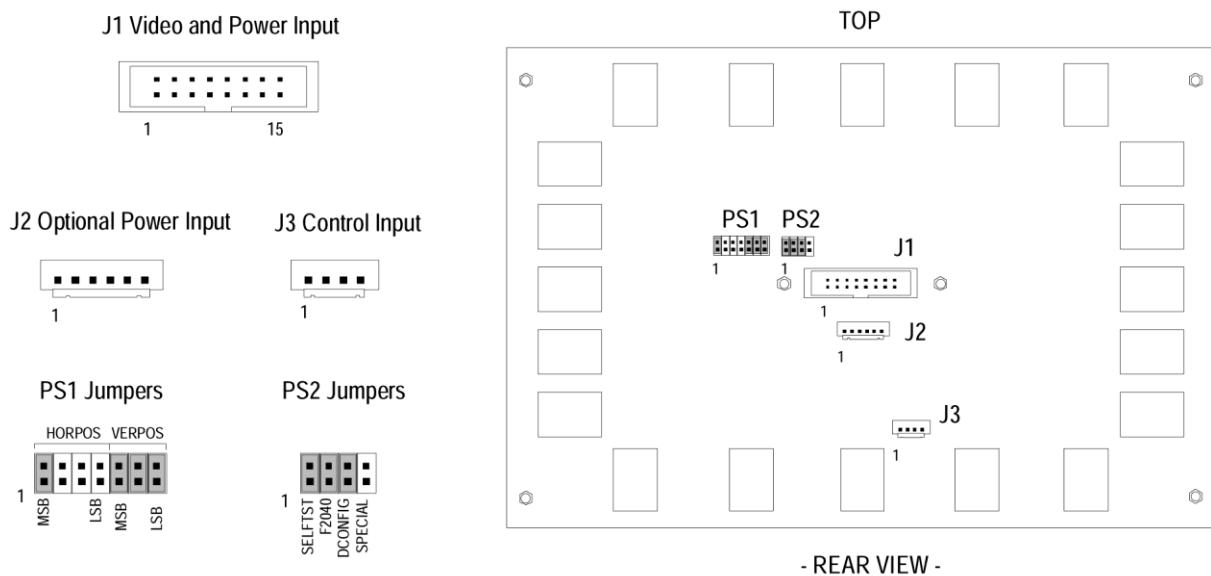


Figure 2. Input connectors and jumpers and their location

3.2 Input to the display

Table 1. Input to the display

Pins	Signal	Symbol	Description
J1(Data/power input connector)			
1, 2	Voltage	V _{cc2}	Supply voltage (+11 VDC ...+30 VDC) converted to required internal high voltages (see J2).
3, 4	Voltage	V _{cc1}	Supply voltage (+5 VDC) for the logic (see J2).
5	Blanking	_BLANK	Used in VGA and SPECIAL modes. In NORMAL mode, should be high or left disconnected.
6,8,10 12,14,16	Ground	GND	Signal return.
7	Two-bit data	TVID	Second data input for two-bits-parallel mode. The TVID input is for odd columns and the VID for even ones.
9	Vertical Sync	VS	The vertical sync signal VS controls the vertical position of the picture.
11	Horizontal Sync	HS	The horizontal sync signal HS controls the internal row counter and in the NORMAL mode the horizontal position of the picture.
13	Video Clock	VCLK	The VCLK signal shifts data present on the VID and TVID lines into the display system. VCLK is active on the rising edge.
15	Video Data	VID	Signal that supplies the pixel information to the system.
J2 (Optional power input connector)			
1	Voltage	V _{cc2}	Same as J1, Pins 1, 2 (not necessary to connect if power is supplied via J1).
2, 3	Ground	GND	Same as J1 Pins 6, 8, 10, 12, 14, 16 (not necessary to connect if power is supplied via J1).
4	Voltage	V _{cc1}	Same as J1 Pins 3, 4 (not necessary to connect if power is supplied via J1).

Pins	Signal	Symbol	Description
5	Low Power	_LOWPWR	The power consumption of the display is lowered to LOW-POWER-OPERATION values if the _LOWPWR is low, internally pulled high if left disconnected.
6	Enable	ENABLE	The operation of the display unit is disabled if the ENABLE input is low, internally pulled high (enable) if left disconnected.
J3 (Optional control input connector)			
1	Luminance Pot.1	LUMPOT1	The inputs for an external logarithmic 50 k Ω potentiometer to adjust the luminance of the display. Can be left disconnected. The luminance is then at the maximum level.
2	Luminance Pot.2	LUMPOT2	
3	Reserved		Reserved for future use.
4	Reserved		Reserved for future use.

3.3 Control basics

The TFEL panel has 640 transparent column electrodes crossing 400 row electrodes in an X-Y fashion. Light is emitted when an AC voltage is applied at a row-column intersection. The display operation is based on the symmetric, line-at-a-time data addressing scheme, which is synchronized by the external VS, HS, and VCLK input signals. The internal control signals and the high voltage pulses for the column and row drivers are generated internally by the control electronics. All control signal inputs are HCT-compatible with a 100 Ω series resistor.

3.4 Power input

The required supply voltages for the display are +5 V_{DC} (V_{cc1}) for the logic and +11 V_{DC} ...+30 V_{DC} input (V_{cc2}) for the integrated DC/DC converter. The high voltages needed for driving the display are generated by the DC/DC converter from the V_{cc2} input voltage. The input voltages can be connected either through J1 or J2.

3.5 Connectors

Table 2. Connectors

J1	16-pin header	ODU 511.066.003.016 or eq.
	Mating	ODU 517.065.003.016 or eq.
	Locking clip	ODU 517.065.716.700 or eq.
J2	6-pin header	Hirose DF1-6P-2.5DSA or eq.
	Mating	Hirose DF1-6S-2.5 R 24 or eq.
	Protector	Hirose DF1-6A 1.33
J3	4-pin header	Hirose DF1-4P-2.5DSA or eq.
	Mating	Hirose DF1-4S-2.5 R 28 or eq.
	Protector	Hirose DF1-4A 1.33

3.6 Signal inputs

For easy interfacing with VGA display controllers, the video input signals are VGA feature connector compatible. The display automatically determines the mode of operation. The connector J2 contains two control inputs: the LOWPWR input is used to minimize the power consumption of the display and the ENABLE input is used to shut off the display when it is not accessed (screensaver function). If the ENABLE or _LOWPWR functions are not in use and the power is connected via J1, the connector J2 can be left disconnected.

The connector J3 contains input for external luminance control. It can be left disconnected if its function is not needed.

3.7 Jumper description

PS1

The horizontal and vertical positioning of the image can be adjusted with jumpers on pin strip PS1. VERPOS0...VERPOS2 (MSB) are for vertical positioning and HORPOS0...HORPOS3 (MSB) are for horizontal positioning. Both settings form a binary number where a set jumper is a "0" and open jumper a "1". The adjustment range for VERPOS is 0 to 7 upwards (default 000 for no shift) and HORPOS 7 right (0000) to 8 left (1111) (default 0111 for no shift).

Table 3. PS2

Position Name	Function
1 SELFTST	Self-test function is selected, if the SELFTTEST jumper is OFF. In self-test, the input video data at VID and TVID inputs are displayed asynchronously without any other input signals.
2 F2040	200 lines mode. All data is repeated in two consecutive rows. Normally should be installed.
3 DCONFIG	The two-bits-parallel mode is selected if this jumper is OFF (see page 10).
4 reserved	Reserved, do not insert jumper.

When shipped from the factory, the jumpers PS2/1, 2 and 3 are set.

3.8 Input specifications

Table 4. Input specifications

Parameter	Symbol	Min.	Typ.	Max.	Absolute max. rating
Logic input HIGH		2 V			$V_{cc1} + 0.5 V$
Logic input LOW				0.8 V	-0.5 V
Logic supply voltage	V_{cc1}	4.75 V	5.0 V	5.25 V	6 V
Logic supply current at 5 V	I_{cc1}	—	—	0.2 A	
Display Supply voltage	V_{cc2}	11 V	—	30 V	33 V
Supply current at 12 V	I_{cc2}		0.8 A	1.6 A	
Supply current at 12 V (LOWPWR)	I_{cc2}		0.5 A	1.0 A	
Power consumption 5 V / 12 V			11 W	20 W	
Power consumption 5 V / 12 V (LOWPWR)			7 W	13 W	

Operating conditions: Frame rate 70 Hz, ambient temperature 25 °C.

NOTE: Absolute maximum ratings are those values beyond which damage to the device may occur. The minimum and maximum specifications in this Operations Manual should be met, without exception, to ensure the long-term reliability of the display. Beneq does not recommend operation of the display outside these specifications.

4 Display features

4.1 Display operation modes

The EL640.400-C3 and -CD3 have two input timing modes. VGA mode supports standard 200, 350 and 400 row VGA modes and normal mode is similar to normal mode in most Beneq displays. Timing mode is determined from a combination of the polarities of the VS and HS pulses and the _BLANK signal at the rising edge of the VS pulse and the polarities of VS and HS pulses at the rising edge of the _BLANK pulse.

In VGA modes, the number of columns is determined by the number of VCLK pulses during a HS pulse. A tolerance of ± 1 pulse is accepted.

VGA Modes: The display data and control input is compatible with feature connector signals from VGA board. The display supports VGA modes 0, 1, 2, 3, 0*, 1*, 2*, 3*, 0+, 1+, 2+, 3+, 4, 5, 6, 7, 7+, D, E, F, 10 and 13. It notifies the polarity of the HS and VS at the rising edge of BLANK and determines the number of rows in the mode.

Note that in VGA modes 0, 1, 0*, 1*, 0+, 1+, 4, 5, D and 13 where the software uses 320 or 360 columns, the size of borders varies from one VGA controller to another. Therefore, the image may not be centered properly using those modes.

The image is centered automatically, and in text modes with 720 pixels horizontally, every ninth pixel is omitted for compatibility. The non-displayed pixel in the space region of the character matrix, and therefore no information is lost. The borders are normally eliminated because of the centering. The upper and lower borders are, however, displayed in the modes using 350 rows due to extra rows not needed for the picture.

The 480 row VGA modes are not supported. Even if the display does not scan in these modes (11, 12), it continues to operate with no failures when a supported mode is detected.

Normal Mode is pin and timing compatible with the MD640.400 Series displays and the normal mode of the EL640.400-CB series displays. In this mode, only four input signals are needed: video data (VID), video clock (VCLK), horizontal synchronizing (HS) and vertical synchronizing (VS). _BLANK is not in use and should be pulled high or left disconnected.

In normal mode, the last 640 pixels before the fall of the HS are displayed. The topmost row displayed is the first HS HIGH time ending after HS Hold from VS time (T3 in normal mode) from the rising edge of VS. If HS is running continuously, the rising edge of the VS can be simultaneous to the previous falling or rising edge of the HS.

See details on the different timing modes as well as setup and hold timing on page 12-15.

4.2 Support timing modes

Table 5. Supported timing modes

VGA mode	Type	Text format	Char. box	Vsync freq. (Hz)	Pixels (software)	Double scan	Border size	
							H	V
0, 1	text	40 x 25	8 x 8	70	320 x 200	Yes	0	7
2, 3	text	80 x 25	8 x 8	70	640 x 200	Yes	8	7
0*, 1*	text	40 x 25	8 x 14	70	320 x 350	No	0	6
2*, 3*	text	80 x 25	8 x 14	70	640 x 350	No	8	6
0+, 1+	text	40 x 25	9 x 16	70	360 x 400	No	0	7
2+, 3+	text	80 x 25	9 x 16	70	720 x 400	No	9	7
4, 5	graph	40 x 25	8 x 8	70	320 x 200	Yes	0	7
6	graph	80 x 25	8 x 8	70	640 x 200	Yes	8	7
7	text	80 x 25	9 x 14	70	720 x 350	No	9	6
7+	text	80 x 25	9 x 16	70	720 x 400	No	9	7
D	graph	40 x 25	8 x 8	70	320 x 200	Yes	0	7
E	graph	80 x 25	8 x 8	70	640 x 200	Yes	8	7
F	graph	80 x 25	8 x 14	70	640 x 350	No	8	6
10	graph	80 x 25	8 x 14	70	640 x 350	No	8	6
13	graph	40 x 25	8 x 8	70	320 x 200	Yes	0	7
Normal mode	graphics			72 max	640 x 400			

NOTES:

The top and right borders' border values are used for image centering to the display matrix.

In VGA modes 0+, 1+, 2+, 3+, 7 and 7+, the character box is narrowed to 8 pixels by omitting the data of every 9th pixel.

In VGA modes 0, 1, 0*, 0+, 1+, 4, 5, D and 13 where the software uses 320 or 360 columns, the size of borders may vary from one VGA controller card to another. The potentially needed picture adjustments may be done by programming the registers of the VGA controller chip.

Double Scan is a VGA card feature.

VGA modes 11 and 12 with 480 rows are not supported.

4.3 Display enable

The display can be totally shut off for screen saving or power reduction by a LOW state in the ENABLE control input. When disabled, the display stops scanning and only the DC/DC converter remains functional. The power consumption is only approximately 2 W. In normal operation, the ENABLE input should be pulled HIGH or left disconnected (internal pull-up).

4.4 200 rows mode

200 input data rows may be displayed using 400 rows by automatically doubling every data row to two consecutive display rows. This function is selected by removing the jumper PS2/2 (F2040). The _BLANK input must also be in LOW state. For more information of this mode, contact Beneq.

4.5 Two-bits-parallel data

To reduce the input data frequency in the normal mode, the video data can be input two bits per clock cycle. The two data inputs are organized so that the data for the odd columns, numbered from left to the right at the viewer side, is input at the TVID (J1/ pin 7) and the data for the even columns at VID (J1/ pin 15). The two-bits-parallel mode is selected by removing the jumper 3 of the pin strip PS2.

4.6 Brightness control

The brightness of the display can be adjusted (approximately between 10% and 100%) by an external 50 k Ω logarithmic potentiometer between the LUMPOT1 and LUMPOT 2 inputs (J3/pins 1 and 2). The control function is done by feeding a small DC current signal via the external potentiometer from LUMPOT1 (+5 V reference voltage) to LUMPOT2. If the two inputs are left disconnected, the brightness is at its maximum level.

4.7 Self-test

The operation of the display can be easily checked without any external signals using the self-test function.

- Remove the jumper 1 in the pin stripe PS2.
- Connect power to the display.

All the pixels of the display will be lit with the exception of the first half of the topmost row.

5 Installation and handling

The product should be mounted using the M3 insert nuts on the ECA. Beside the four corner nuts, it is recommended to use also the two center nuts in the mounting if the vibration or shock stress is severe.

Before touching the display, necessary precaution must be taken to prevent application of static charges on the display from the operator or tools.

The display is made of glass material and should be handled with proper care. Do not drop the display or allow hard objects to strike its surface.

NOTE: For trouble-free data transfer, a maximum cable length of 300 mm (12 in.) from data transmitter to display input connector is recommended. If longer cables up to 2m (80 in.) length are needed, a serial resistor of approximately 47 Ω could be placed at each of the four signal line outputs of the transmitter in order to lower signal reflections.

ELECTROSTATIC CAUTION: Beneq display use CMOS and power MOS-FET devices. These components are electrostatic-sensitive. Unpack, assemble and examine this assembly in a static-controlled area only. When shipping, use packing materials designed for protection of electrostatic-sensitive components.

WARNING: The product generates potentially dangerous voltages capable of causing personal injury (high voltage pulses up to 195 V_{ac}). Do not touch the display electronics during operation!

5.1 Video input timing

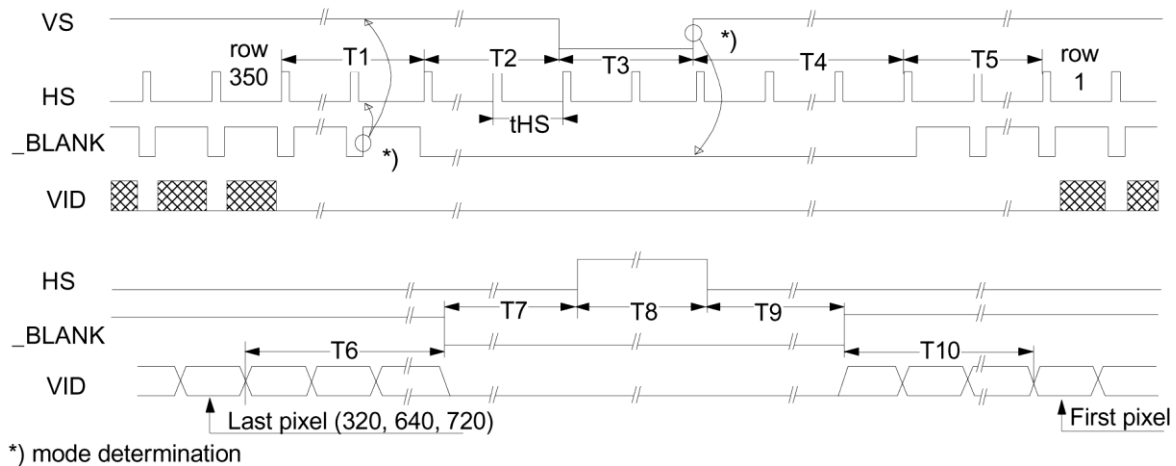


Figure 3. Video input timing, 350 row VGA modes

Table 6. Video input timing, 350 row VGA modes

Description				Unit
T1 Vertical Border	6			tHS
T2 Vertical Front Porch	31			tHS
T3 VS Pulse Width	2			tHS
T4 Vertical Back Porch	54			tHS
T5 Vertical Border	6			tHS
HS pulses / VS	449			
VS frequency	70			Hz
Description	320	640	720	Unit
T6 Horizontal Border	0	8	9	tVCLK
T7 Horizontal Front Porch	8	8	9	tVCLK
T8 HS Pulse Width	48	96	108	tVCLK
T9 Horizontal Back Porch	24	40	45	tVCLK
T10 Horizontal Border	0	8	9	tVCLK
VCLK pulses / HS	400	800	900	
HS period	31.8	31.8	31.8	μs

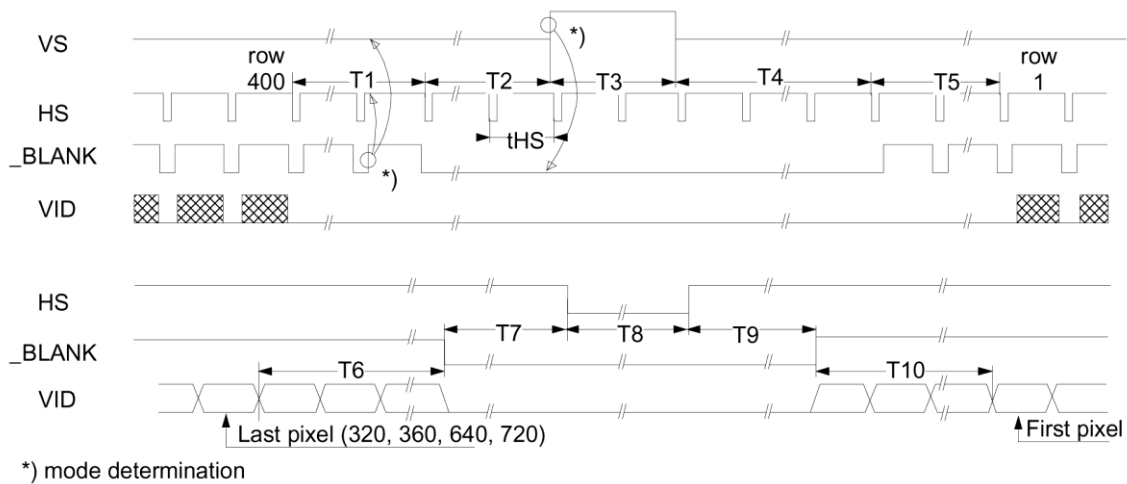


Figure 4. Video input timing, 400 row VGA modes

Table 7. Video input timing, 400 row VGA modes

Description					Unit
T1 Vertical Border	7				tHS
T2 Vertical Front Porch	5				tHS
T3 VS Pulse Width	2				tHS
T4 Vertical Back Porch	28				tHS
T5 Vertical Border	7				tHS
HS pulses / VS	449				
VS frequency	70				Hz
Description	320	360	640	720	Unit
T6 Horizontal Border	0	0	8	9	tVCLK
T7 Horizontal Front Porch	8	9	8	9	tVCLK
T8 HS Pulse Width	48	54	96	108	tVCLK
T9 Horizontal Back Porch	24	27	40	45	tVCLK
T10 Horizontal Border	0	0	8	9	tVCLK
VCLK pulses / HS	400	450	800	900	
HS period	31.8	31.8	31.8	31.8	μs

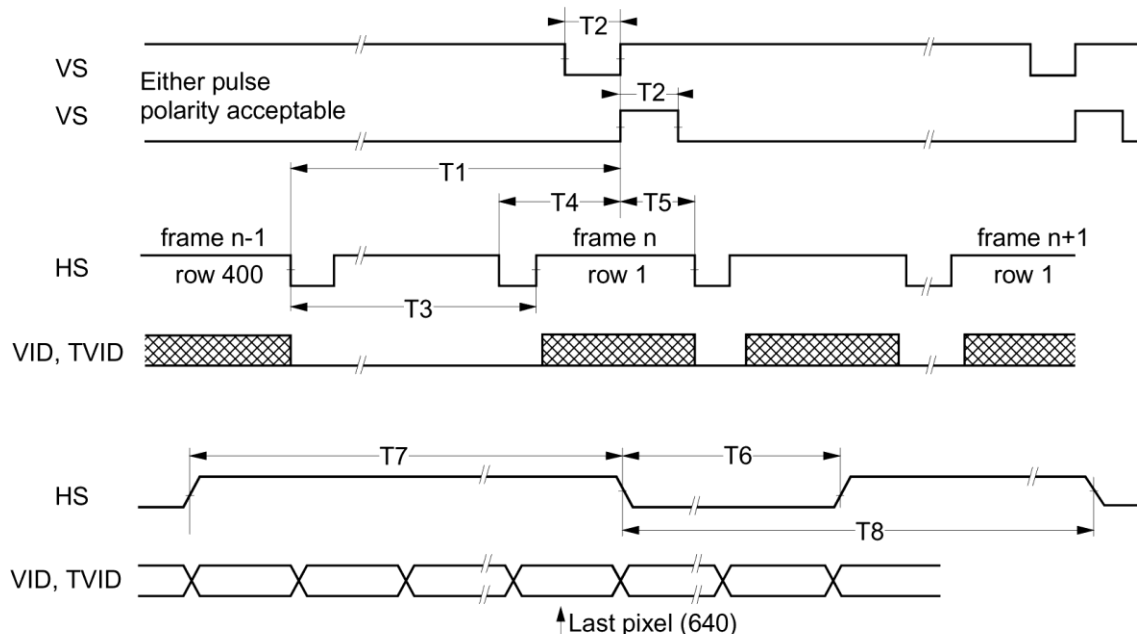


Figure 5. 640 columns x 400 rows (normal mode)

Table 8. 640 columns x 400 rows (NORMAL mode)

Description	Min	typ	Max	Unit
T1 Vertical Front Porch ¹⁾	60			μs
T2 VS HIGH/LOW time ²⁾	1			tVCLK
T3 Vertical Blank	40			μs
VS frequency		70	80	Hz
Description	Min	Typ	Unit	
T4 HS setup to VS	9		tVCLK	
T5 Vertical Back Porch	2		μs	
T6 HS Low Time ⁵⁾	4		tVCLK	
T7 HS High Time ⁶⁾	640	640	tVCLK	
T8 HS period	31		μs	

NOTES:

- 1) Needed to display the last row and to change the frame.
- 2) Only rising edge is used.
- 3) If vertical positioning is needed, please contact Beneq.
- 4) If horizontal positioning is needed, please contact Beneq.
- 5) Video Clock VCLK should be kept running.
- 6) The number of VCLK pulses during HS high time should be even.

5.2 Setup and hold timing

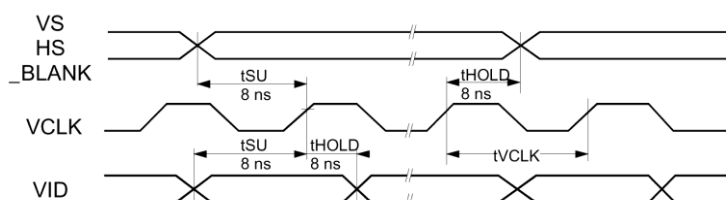


Figure 6. Setup and hold timing

Table 9. Setup and hold timing

Mode	tVCLK ns	fVCLK MHz
2+, 3+, 7, 7+	35.31	28.322
2, 3, 2*, 3*, 6, E, F, 10	39.71	25.175
0+, 1+	70.62	14.161
0, 1, 0*, 1*, 4, 5, D, 13	79.43	12.588
NORMAL	Min 33	Max 30

6 Operational specifications

6.1 Environmental

Table 10. Environmental characteristics

Temperature		
Operating	C3, CD3	-25 °C ...+65 °C
Non-operating	C3, CD3	-40 °C ...+85 °C
Operating survival	C3, CD3	-40 °C ...+65 °C (no permanent damage)
Humidity		
Relative humidity	+40 °C, 93% RH, operating (IEC 60068-2-78)	
Damp heat	+25 °C ...+55°C, 95% RH, non-operating, IEC 60068-2-30	
Altitude		
Operating	15,000 m (50,000 ft.) above sea level, IEC 60068-2-13	
Vibration		
	20...500 Hz, ASD level 0.05 g ² /Hz Random vibration wide band, IEC 60068-2-64, Test Fdb	
Shock		
Magnitude	100 g	
Duration	4 ms (half sine wave)	
Number of shocks	18 (3 on each of the 6 surfaces) IEC 60068-2-27, test Ea	

6.2 Reliability

MTBF > 50,000 h @ 25 °C

6.3 EMC

The display will not inhibit the end product from obtaining any of the following specifications: EN55022 Class B, FCC Part 15J Class B.

6.4 Safety

The display will not inhibit the end product from obtaining any of the following specifications: UL544, IEC 950

6.5 Optical

Determined at 70 Hz frame rate at room temperature.

6.5.1 Display color

Wide band amber (Zn:Mn)

Table 11. Optical characteristics

Areal luminance		
On luminance (typ)	C3	53 cd/m ² (16 fL)
	CD3	21 cd/m ² (6.4 fL)
On luminance (min.)	C3	45 cd/m ² (13 fL)
	CD3	17 cd/m ² (5.0 fL)
Measured at the center and the four corners of the screen.		
Luminance non-uniformity		
	35%	= (1- min. luminance/max luminance) x 100. Maximum difference between any two of five points (center and four corners).
Luminance variation (time)		
Maximum	20%	10,000 h
Luminance variation (temperature)		
Typical	10%	Over the 0 °C ...+55 °C range.
Maximum	15%	
Viewing angle	>179°	

Illuminance	Classification
10 ... 100 lx	Dim
100 ... 1,000 lx	Office
1,000 ... 10,000 lx	Bright
10,000 ... 100,000 lx	Sunlight

6.5.2 Optional filter

The luminance contrast of the ICE version of the display EL640.400-CD3 is sufficient for operation without any contrast enhancement. An anti-reflective coating or a protecting sheet with anti-reflective treatment is recommended. For the best overall performance of the EL640.400-C3, a neutral gray circular polarizing filter with anti-reflective coating or etch is the usual choice. This filter will make the reflective electrodes of the display darker and improve the contrast ratio. The anti-reflective coating on the filter should face the user.

7 Mechanical characteristics

7.1 Display external dimensions

Figure 7 shows the mechanical dimensions of the standard EL640.400-C3 and -CD3 display unit. The display can also be delivered with optional FRA aluminum frames (see Figure 7). See Ordering Information on page 23.

Table 12. Display external dimensions

Height	152.8 mm	6.02 in.
Width	225.8 mm	8.89 in.
Depth	16.5 mm	0.65 in.
Weight	400 g	14 oz.

7.2 Display viewing area characteristics

Table 13. Display viewing area characteristics

Active area		
millimeters (inches)	height	121.8 (4.80)
	width	195.0 (7.68)
Pixel pitch		
millimeters (inches)	height	0.305 (0.012)
	width	0.305 (0.012)
Pixel size		
millimeters (inches)	height	0.178 (0.007)
	width	0.212 (0.008)
Pixel fill factor	41%	
Pixel Matrix	640 horizontal by 400 vertical	

CAUTION: The ambient temperature of the display should not be allowed to exceed the environmental specifications (see Table 10). In most applications, an air gap of approximately 5 mm is recommended (see mechanical drawings). Some applications may require, however, a larger air gap or cooling of the display unit in the system. Note that this may slightly increase the total depth of the design.

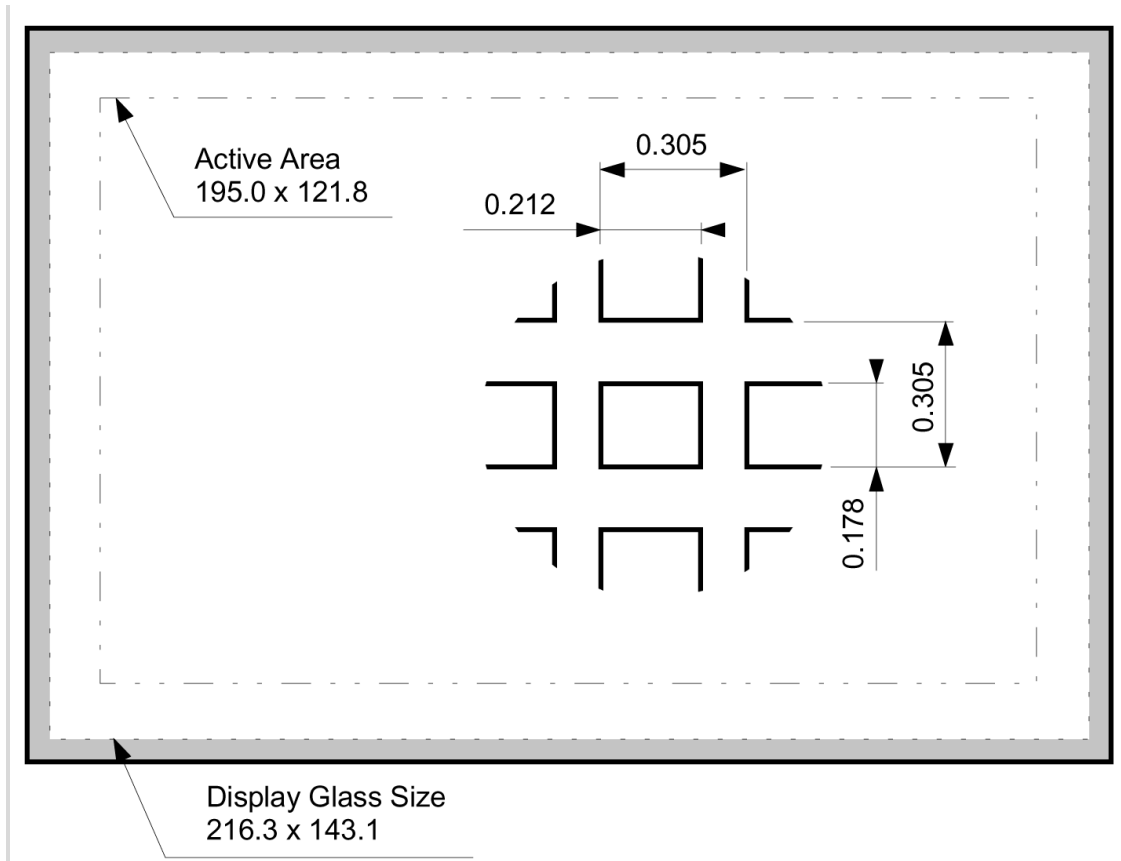
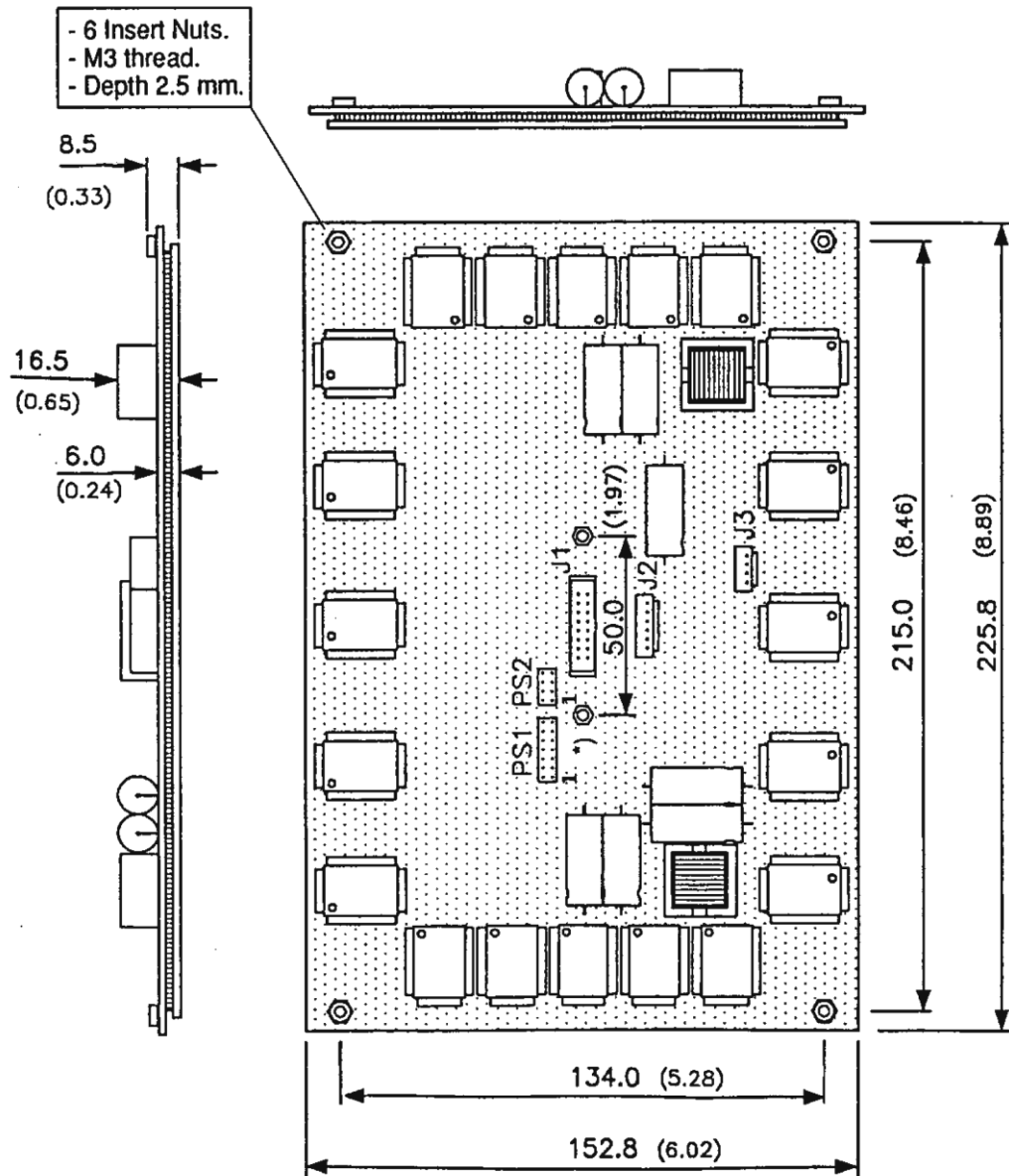


Figure 7. Viewing area characteristics



26.04.98
DFC 40639 / 2

*) This Insert Nut is connected to System Ground.
Dimensions in mm (inches).

Figure 8. EL640.400-C3 and -CD3 back and side views (dimensions in mm)

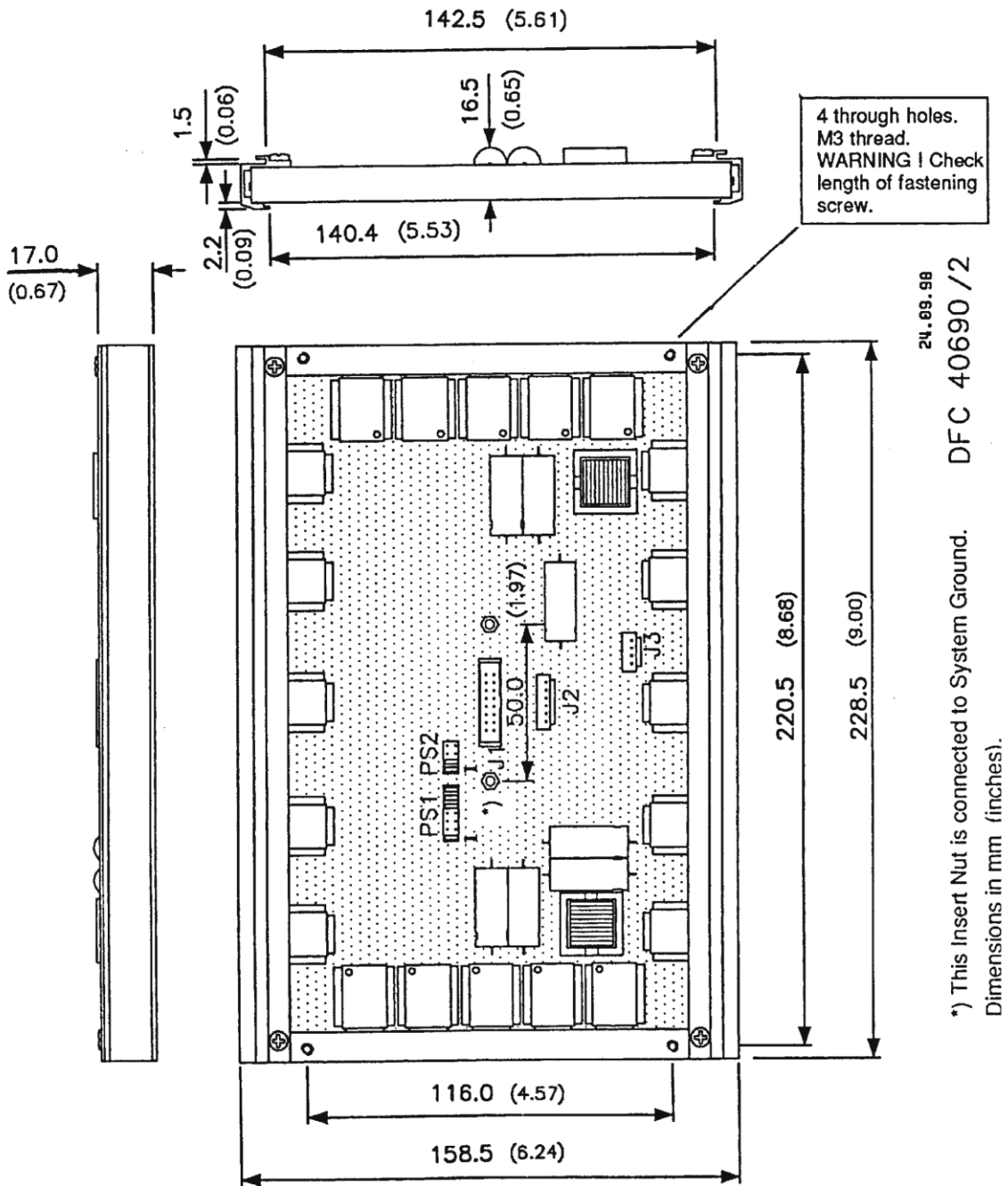


Figure 9. EL640.400-C3 FRA and -CD3 FRA back and side views (dimensions in mm)

8 Description of warranty

Seller warrants that the Goods will conform to published specifications and be free from defects in material during warranty time from delivery. To the extent that goods incorporate third-party-owned software, seller shall pass on seller's licensor's warranty to buyer subject to the terms and conditions of seller's license.

Warranty repairs shall be warranted for the remainder of the original warranty period. Buyer shall report defect claims in writing to seller immediately upon discovery, and in any event, within the warranty period. Buyer must return goods to seller within 30 days of seller's receipt of a warranty claim notice and only after receiving seller's return goods authorization. Seller shall, at its sole option, repair or replace the goods.

If goods were repaired, altered or modified by persons other than seller, this warranty is void. Conditions resulting from normal wear and tear and buyer's failure to properly store, install, operate, handle or maintain the goods are not within this warranty. Repair or replacement of goods is seller's sole obligation and buyer's exclusive remedy for all claims of defects. If that remedy is adjudicated insufficient, Seller shall refund buyer's paid price for the goods and have no other liability to buyer.

All warranty repairs must be performed at seller's authorized service center using parts approved by seller. Buyer shall pay costs of sending goods to seller on a warranty claim and seller shall pay costs of returning goods to buyer. The turnaround time on repairs will usually be 30 working days or less. Seller accepts no added liability for additional days for repair or replacement.

If seller offers technical support relating to the goods, such support shall neither modify the warranty nor create an obligation of seller. Buyer is not relying on seller's skill or judgment to select goods for buyer's purposes. Seller's software, if included with goods, is sold as is, and this warranty is inapplicable to such software.

SELLER DISCLAIMS ALL OTHER WARRANTIES, EXPRESS OR IMPLIED, INCLUDING BUT NOT LIMITED TO, IMPLIED WARRANTIES OF MERCHANTABILITY AND FITNESS FOR A PARTICULAR PURPOSE.

9 Easy to use

There are many options available, which make Beneq flat panel displays easy to use, easy to interface, and easy to package. Call Beneq for complete information.

10 Ordering information

Product	Part Number	Description
EL640.400-C3	996-5056-00LF	EL640.400 non-ICE, dimming, -25 °C - +65 °C
EL640.400-C3 FRA	996-5062-00LF	EL640.400-C3 with aluminum mounting frame
EL640.400-CD3	996-5082-00LF	EL640.400-C3 with ICE
EL640.400-CD3 FRA	996-5082-01LF	EL640.400-C3 with ICE and aluminum mounting frame

Design and specifications are subject to change without notice.

11 Support and service

Beneq Oy is a Finnish company based in Espoo, Finland, with a world-wide sales distribution network. Full application engineering support and service are available to make the integration of Lumineq® displays as simple and quick as possible for our customers.

RMA Procedure: For a Returned Material Authorization number, please contact Beneq Oy by email (rma.lumineq@beneq.com) with the model number(s), serial number(s) and brief description of the problem. When returning goods for repair, please include a brief description of the problem, and mark the outside of the shipping container with the RMA number.

This document is compiled and kept up-to-date as conscientiously as possible. Beneq cannot, however, guarantee that the data are free of errors, accurate or complete and, therefore, assumes no liability for loss or damage of any kind incurred directly or indirectly through the use of this document. The information in this document is subject to change without notice. All texts, pictures, graphics and any other contents of this document and their layout are protected by copyright and other protective laws. The aforementioned contents may not be duplicated, modified or used in other electronic or printed publications without the prior consent of Beneq. Unless otherwise stated, all trademarks are protected under trademark laws, especially the Beneq trademarks, logos, emblems and nameplates. The patents and trademarks presented in this document are the intellectual property of Beneq Oy. Beneq and Lumineq are registered trademarks of Beneq Oy. ICEBrite is a trademark of Beneq