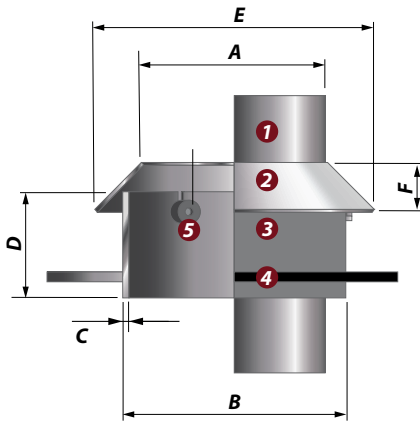




**ROOF
EXITS**



ROOF EXIT SETS



1. Exhaust Pipe
2. Rain Hood
3. Roof Conduit
4. Roof Deck
5. Stainless Steel Cushions

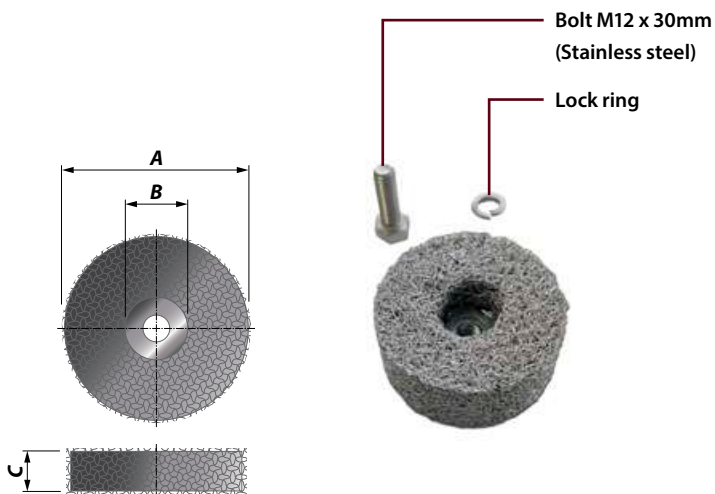
Article No.	A Size (Inch)	NB (mm)	Pipe (mm)	B (mm)	C (mm)	D (mm)	E (mm)	F (mm)	Number of cushions	Weight (kg)
258001000005	2	50	60.3	109.8	5.6	130	215	75	3 x ø67 x 120°	3.5
258001000006	2.5	65	76.1	127.1	6.3	130	230	75	3 x ø67 x 120°	4.0
258001000008	3	80	88.9	136.0	5	130	240	75	3 x ø67 x 120°	4.0
258001000010	4	100	114.3	161.0	5	130	265	75	3 x ø67 x 120°	4.5
258001000013	5	125	139.7	187.0	6	130	290	75	3 x ø67 x 120°	6.0
258001000015	6	150	168.3	215.0	8	160	318	75	3 x ø67 x 120°	9.5
258001000020	8	200	219.1	266.0	8	160	369	75	3 x ø67 x 120°	11.0
258001000025	10	250	273.0	320.0	8	160	423	75	3 x ø67 x 120°	13.0
258001000030	12	300	323.9	370.0	8	160	474	75	4 x ø60 x 90°	15.0
258001000035	14	350	355.6	402.0	8	200	506	75	4 x ø60 x 90°	20.0
258001000040	16	400	406.4	453.0	8	200	556	75	4 x ø60 x 90°	22.5
258001000045	18	450	457.2	505.0	8	200	607	75	5 x ø60 x 72°	25.5
258001000050	20	500	508.0	555.0	8	200	658	75	5 x ø60 x 72°	27.5
258001000060	24	600	609.6	655.0	8	200	758	75	5 x ø60 x 72°	32.0
258001000070	28	700	711.2	758.0	8	200	862	75	5 x ø60 x 72°	37.0
258001000080	32	800	812.8	860.0	8	200	970	75	8 x ø60 x 45°	42.5
258001000090	36	900	914.4	961.0	8	200	1065	75	8 x ø60 x 45°	47.0
258001000100	40	1000	1016.0	1063.0	8	200	1173	75	8 x ø60 x 45°	52.5



CHARACTERISTICS

- ✓ Stainless Steel
- ✓ Silent
- ✓ Balanced
- ✓ Maintenance Free
- ✓ Sustainable
- ✓ Easy to Install
- ✓ Rain Hood and Conduit Can also be ordered separately

STAINLESS STEEL CUSHIONS



Article No.	A (mm)	B (mm)	C (mm)
258301025060	60	22	25

CHARACTERISTICS

- ✓ Stainless Steel
- ✓ Silent
- ✓ Balanced
- ✓ Maintenance Free
- ✓ Sustainable
- ✓ Easy to Install

