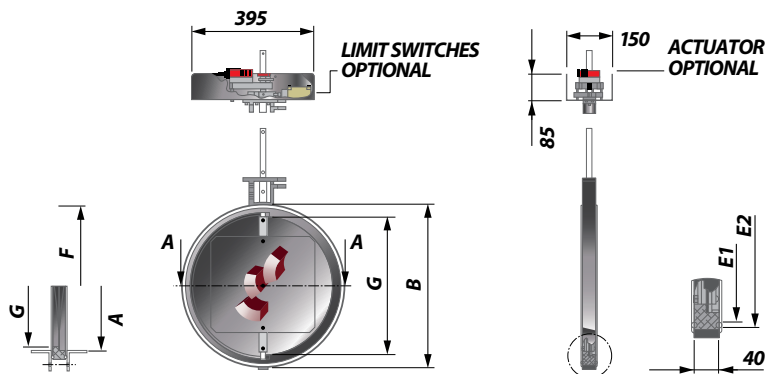


TYPE AV10



Article No.	Size (inch)	NB (mm)	Pipe (mm)	A (mm)	B (mm)	E1 (mm)	E2 (mm)	F (mm)	G (mm)
211000060171	8	200	219.1	171	225	202	220	165	147
211000060221	10	250	273.0	221	275	252	270	215	197
211000060270	12	300	323.9	270	325	302	320	265	247
211000060321	14	350	355.6	321	425	352	370	315	297
211000060371	16	400	406.4	371	475	402	420	365	347
211000060471	20	500	508.0	471	525	502	520	465	447
211000060571	24	600	609.6	571	625	625	620	565	547
211000060671	28	700	711.2	671	725	702	720	665	647



CHARACTERISTICS

Material Valves type AV10 are produced out of Steel 37-2 (S235JRG2)

Temperature Maximum allowable temperature is 600°C

Custom Made Axces Valves are also manufactured based on specific dimensions or client's requirements