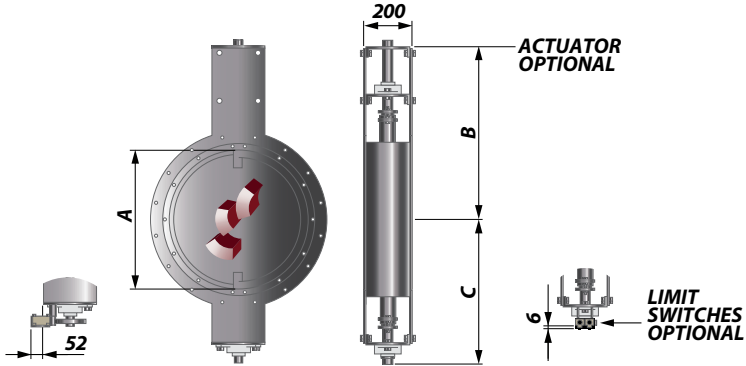


TYPE AV40



Article No.	Size (inch)	NB (mm)	Pipe (mm)	A (mm)	B (mm)	C (mm)
210030000213	8	200	219.1	213	407	355
210030000248	10	250	273.0	248	427	376
210030000319	12	300	323.9	319	464	420
210030000350	14	350	355.6	350	480	448
210030000400	16	400	406.4	400	504	470
210030000450	18	450	457.2	450	530	490
210030000509	20	500	508.0	509	555	515
210030000600	24	600	609.6	600	706	590
210030000700	28	700	711.2	700	755	680
210030000800	32	800	812.8	800	800	690
210030000900	36	900	914.4	900	850	740
210030001000	40	1000	1016.0	1000	905	790
210030001200	48	1200	1220.0	1200	1000	890



CHARACTERISTICS

- Material** Valves type AV40 are produced out of Steel 37-2 (S235JRG2)
- Temperature** Maximum allowable temperature is 600°C
- Custom Made** Axces Valves are also manufactured based on specific dimensions or client's requirements