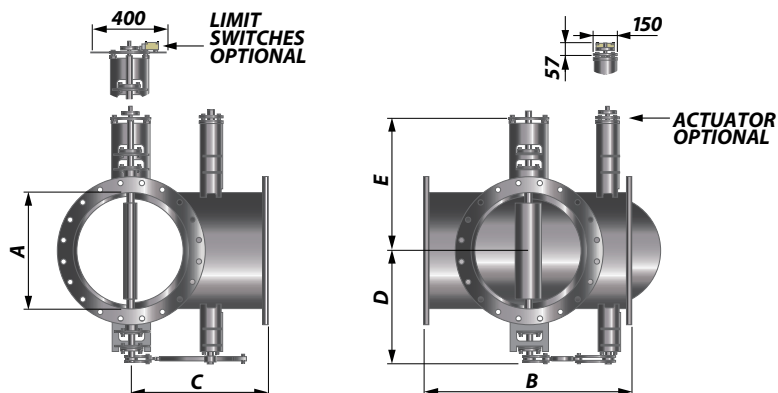


TYPE AV50



Article No.	Size (inch)	NB (mm)	Pipe (mm)	A (mm)	B (mm)	C (mm)	D (mm)	E (mm)
210000500213	8	200	219.1	213	400	200	407	355
210000500213	10	250	273.0	248	500	250	427	367
210000500319	12	300	323.9	319	600	300	464	420
210000500350	14	350	355.6	350	700	350	480	448
210000500400	16	400	406.4	400	800	400	504	470
210000500450	18	450	457.2	450	900	450	530	490
210000500509	20	500	508.0	509	1000	500	555	515
210000500600	24	600	609.6	600	1200	600	706	590
210000500700	28	700	711.2	700	1400	700	755	680
210000500900	32	800	812.8	800	1600	800	800	690
210000500900	36	900	914.4	900	1800	900	850	740
210000501000	40	1000	1016.0	1000	2000	1000	905	790
210000501200	48	1200	1220.0	1200	2400	1200	1000	890



CHARACTERISTICS

Material Valves type AV50 are produced out of Steel 37-2 (S235JRG2)

Temperature Maximum allowable temperature is 600°C

Custom Made Axces Valves are also manufactured based on specific dimensions or client's requirements