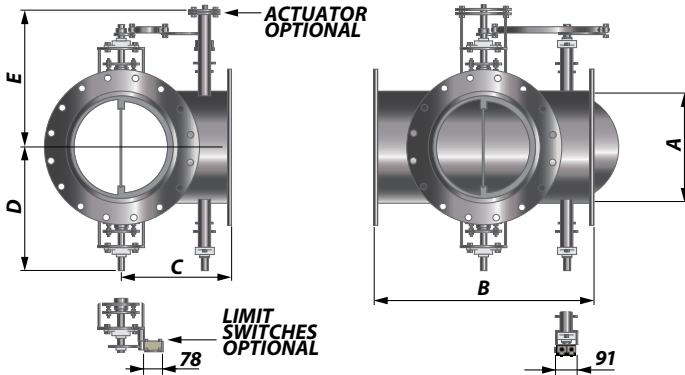
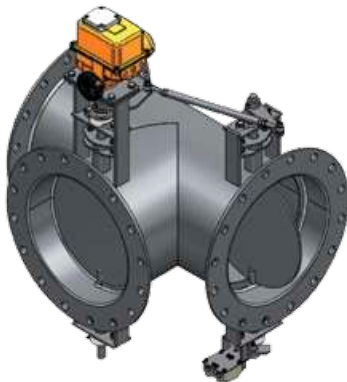


TYPE AV60



Article No.	Size (inch)	NB (mm)	Pipe (mm)	A (mm)	B (mm)	C (mm)	D (mm)	E (mm)
210000500158	6	150	168.3	158	300	200	193	196
210000500213	8	200	219.1	213	400	225	335	407
210000500213	10	250	273.0	248	500	250	347	427
210000500319	12	300	323.9	319	600	300	400	464
210000500350	14	350	355.6	350	700	350	428	480
210000500400	16	400	406.4	400	800	400	450	504
210000500450	18	450	457.2	450	900	450	470	530
210000500509	20	500	508.0	509	1000	500	495	555
210000500600	24	600	609.6	600	1200	600	570	706
210000500700	28	700	711.2	700	1400	700	660	755
210000500900	32	800	812.8	800	1600	800	670	800
210000500900	36	900	914.4	900	1800	900	720	850
210000501000	40	1000	1016.0	1000	2000	1000	770	905
210000501200	48	1200	1220.0	1200	2400	1200	870	1000



CHARACTERISTICS

- Material** Valves type AV60 are produced out of Steel 37-2 (S235JRG2)
- Temperature** Maximum allowable temperature is 600°C
- Custom Made** Axces Valves are also manufactured based on specific dimensions or client's requirements