

# peerless-AV<sup>®</sup>



Years of

INNOVATION

est. 1941

# PRODUCT CATALOG

# TABLE OF CONTENTS

Peerless-AV® Celebrating the 75th Anniversary	pg# 1
Peerless-AV Emerging Technologies Division	pg# 2-3
Driving Innovation at Daytona	
International Speedway®	pg# 4
Peerless-AV Online	pg# 5
Peerless-AV Customer Solutions Support Unit	pg# 6
Peerless-AV Installation Safety and Sales Training	pg# 7
Peerless-AV Custom Solutions	pg# 8

## OUTDOOR DISPLAYS & MOUNTS

Outdoor Displays & Mounts Table of Contents	pg# 9
Outdoor Displays	pg# 10-11
Outdoor Audio	pg# 12
Outdoor Interactivity	pg# 13-14
Outdoor TVs	pg# 15-16
Outdoor Accessories	pg# 17
Outdoor Mounts	pg# 18-24

## KIOSKS & ENCLOSURES

Kiosks & Enclosures Table of Contents	pg# 25
Indoor Kiosks	pg# 26-33
Outdoor Kiosks	pg# 34-38
Enclosures	pg# 39-40

## EMERGING TECHNOLOGIES

Emerging Technologies Table of Contents	pg# 41
Wireless AV	pg# 42-45
Outdoor Audio	pg# 46
Outdoor Enclosures	pg# 47
Broadcast	pg# 48

## VIDEO WALL & MENU BOARD MOUNTS

Video Wall & Menu Board Mounts Table of Contents	pg# 49
<b>SMARTMOUNT</b> Video Wall	pg# 50-69
<b>SMARTMOUNT</b> Menu Board	pg# 70-72

Index by Model Number	pg# 237-240
Terms & Conditions	pg# 241

## LOOK FOR THESE SYMBOLS...



Display Mounts



VESA® Pattern



Mounting Pattern



Distance from Wall



Distance from Ceiling



Height Adjustment



Tilt



Tilt | Swivel | Roll



Landscape to Portrait



Max Load



Multiple Boxes



Projector Mounts



Mounting Pattern



Distance from Ceiling



Distance from Wall



Pitch | Swivel | Roll



Trade Agreements Act Compliant



Americans with Disabilities Act (ADA)



Telecommunications Industry Association



Electronic Industries Alliance



Underwriters Laboratories Listed



Restriction of the Use of Certain Hazardous Substances



European Conformity



Seismic Safety



Antimicrobial Finish



Electrocoat Finish



SMARTMOUNT Color Packaging



PARAMOUNT Color Packaging



Designer Series Color Packaging

## DISPLAY MOUNTS

Display Mounts Table of Contents	pg# 73-74
Display Mounts Universal Mounts Chart	pg# 75-79
<b>SMARTMOUNT XT</b> Wall Mounts	pg# 80-84
<b>SMARTMOUNT</b> Wall Mounts	pg# 85-113
<b>PARAMOUNT</b> Wall Mounts	pg# 114-128
Designer Series Wall Mounts	pg# 129-135
Locking & Security	pg# 136-141
Media Storage	pg# 142-144
Multi-Display & Ceiling Mounts	pg# 145-157
Modular Mounts	pg# 158-161
Truss	pg# 162
Floor Carts & Stands	pg# 163-176
Desktop & Work Centers	pg# 177-188

## PROJECTOR & WHITEBOARD MOUNTS

Projector & Whiteboard Mounts Table of Contents	pg# 189
Ceiling Mounts	pg# 190-199
Short-Throw Mounts	pg# 200-201
Whiteboard Mounts	pg# 202-203
Projector Accessories	pg# 204

## AV STORAGE & SUPPORTS

AV Storage & Supports Table of Contents	pg# 205
AV Racks	pg# 206-211
AV Component Shelves/Storage	pg# 212-219
Speaker Mounts	pg# 220-222
Camera Mounts	pg# 223
Cables	pg# 224

## AV ACCESSORIES

AV Accessories Table of Contents	pg# 225
Mount Accessories	pg# 226
In-Wall Accessories Boxes	pg# 227
Ceiling Plates	pg# 228-229
Ceiling Plates & Accessories	pg# 230
Extensions & Accessories	pg# 231
Column Accessories & Adaptor Plates	pg# 232
Wall Plates	pg# 233
Hardware & Surge Protectors	pg# 234
Carts & Stands Accessories	pg# 235
Casters & Feet Accessories	pg# 235
Shelves	pg# 236

peerless-AV<sup>®</sup>

# 75

Years of  
**INNOVATION**

est. 1941

We are very excited to be celebrating the 75th anniversary of Peerless Industries, Inc! Peerless-AV<sup>®</sup> was built on a strong foundation and we continue to thrive because of you, our loyal customer. Take a look at some of the momentous achievements you helped us reach.



As a global leader in audio visual innovation, we pride ourselves on delivering award-winning products and services that will meet your needs, whether they are large or small. Thank you for your business. We look forward to partnering with you for 75 more years!

# PEERLESS-AV EMERGING TECHNOLOGIES DIVISION

At Peerless-AV, our Emerging Technologies Division is dedicated to the design and development of advanced digital content delivery solutions for the commercial and residential markets. The division offers professional integrators the latest technologies that enable delivery from the sources to the screens –and even the screen itself.

The Peerless-AV Emerging Technologies Division allocates dedicated resources to new cutting edge product development, and applies their knowledge and market learning to enhance Peerless-AV mounting solutions, providing an even broader portfolio of solutions to streamline projects for professional AV integrators. Our dedicated staff includes engineers, product development managers, field engineers and a customer care team.

Why such a robust team? So we can ensure we're ahead of industry trends, providing you with innovative products backed by the Peerless-AV quality you trust.



## WIRELESS TECHNOLOGIES

Specializing in new technologies or new applications of well-tested solutions, the Emerging Technologies Division focuses on solutions that enable a better AV experience. From wireless connectivity to outdoor audio solutions, our team focuses on solutions in both commercial and residential applications that provide the highest level of quality and robustness that professional AV integrators can depend on.

Learn more on pages 42-48.

## HOW DOES OUR TECHNOLOGIES DIVISION GET IT RIGHT?



Cutting-Edge Research and Development



Advanced Design Team



## KIOSK MANUFACTURING AND INTEGRATION SERVICES

Providing the first service of its kind in the industry, the Kiosk Integration Services team offers turnkey service for completely integrated kiosk solutions, whether it's for an indoor or outdoor environment. This group of dedicated Kiosk Specialists design, manufacture, integrate, test and deliver fully integrated kiosk solutions that incorporate proven technologies from leading brands.

Learn more on pages 26-40.



## OUTDOOR DISPLAYS

A pioneer in environmentally sealed display technologies, Peerless-AV offers a full line of TVs and displays that are designed and constructed to withstand temperature extremes, as well as being fully sealed, making them impervious to moisture, dust and other environmental impurities. These units are designed and assembled by our team of in-house display experts, right here in the USA. Our state-of-the-art facility houses a clean room assembly area, a heat-testing room and a fully-equipped testing lab to ensure each of our displays meet quality standards before it ever leaves our factory.

Learn more on pages 10-24.



Clean Room Electronics Assembly



Highly Skilled Assemblers



Value-Added Integration Services

## DRIVING INNOVATION AT DAYTONA INTERNATIONAL SPEEDWAY®



Peerless-AV is the official outdoor display provider of Daytona International Speedway®. We are extremely proud to be a DAYTONA Technology Platform partner and to have played an integral part in the \$400 million DAYTONA Rising Redevelopment project. Over 800 Peerless-AV Outdoor Displays were installed throughout the entire speedway, including in the concessions, stadium concourses, garage/pit areas, bathrooms and more. Today, race fans never have to miss a second of the racing action, even when waiting in line for a hot dog or taking a quick bathroom break.

For more information about the project, visit [www.daytonainternationalspeedway.com](http://www.daytonainternationalspeedway.com).



*“Peerless-AV has not only supplied DIS with the most reliable outdoor displays, but has also helped us promote the complete transformation of the speedway to everyone in the AV industry,”* said Rodney Ward, Senior Director, Venue Technology at International Speedway Corporation. *“We created a strong partnership with a great company, and are very pleased with the high-quality displays that are met with positive feedback on a daily basis by fans.”*

**PEERLESS-AV IS THE OFFICIAL OUTDOOR DISPLAY PROVIDER  
OF DAYTONA INTERNATIONAL SPEEDWAY®.**

peerless-av.com



## A BETTER EXPERIENCE FOR YOU!

We're excited to announce the launch of the new and improved Peerless-AV website, offering you a more elegant user experience with quick and intuitive access to our extensive product assortment and award-winning services. Check it out yourself - you're going to love it as much as we do.

### CONNECT WITH PEERLESS-AV ON SOCIAL MEDIA

Social media has played an important part in helping build Peerless-AV's relationships online. We believe our social networks give us a platform to show not only what we sell, but to express who we are as a company. That's why you'll see pictures of our employees having fun in the office posted alongside our latest product press release. We are real and authentic with our followers because we want you interested, engaged and connected with us at all times.



**TWITTER**

[twitter.com/PeerlessAV](https://twitter.com/PeerlessAV)  
[@PeerlessAV](https://twitter.com/PeerlessAV)



**FACEBOOK**

[facebook.com/PeerlessAV](https://facebook.com/PeerlessAV)



**LINKEDIN**

[linkedin.com/company/peerless-av](https://linkedin.com/company/peerless-av)



**YOUTUBE**

<https://www.youtube.com/user/PeerlessMounts>



**WORDPRESS BLOG**

<http://blog.peerless-av.com/>





**INSTAGRAM**


<http://instagram.com/peerlessav>



## PEERLESS-AV CUSTOMER SOLUTIONS SUPPORT UNIT

 **CALL: 630-375-5100**  
800-865-2112

 **FAX: 630-820-8537**  
800-359-6500

 **E-MAIL:**  
info@peerless-av.com

 **ONLINE:**  
peerless-av.com

peerless-AV®

75  
Years of  
INNOVATION  
est. 1941

CUSTOMER SOLUTIONS SUPPORT UNIT

## WORLD CLASS CUSTOMER SERVICE

At Peerless-AV, our first priority is our customers. That's why our award-winning Customer Solutions Support Unit strives to positively impact your business every day. Equipped with full product and technical expertise of the Peerless-AV portfolio, our one-call resolution service is available 7 a.m. to 7 p.m. CT, Monday – Friday to assist you with all of your audio visual needs.

## WORLD CLASS TRAINING

Our unparalleled commitment to comprehensive and ongoing training provides you with the best customer service experience in the industry. In addition to completing a rigorous six-week training program, our entire Customer Solutions Support Unit attends weekly technology trainings to ensure we are up-to-date with the latest industry trends.

## PEERTECH PROS

The newest addition to our team, PeerTech Pros, is a group of highly-trained individuals specializing in our emerging technologies solutions. These products include outdoor TVs/displays, wireless audio visual systems and more. Each member of this team has obtained, or is working towards obtaining, industry specific certifications through industry programs, such as InfoComm's Certified Technology Specialist (CTS) and the Digital Signage Certified Expert (DSCE).

## B2B PARTNER PORTAL

Peerless-AV's Partner Portal is specifically designed with partners in mind. Available 24/7, the portal allows users to view their price and list price on specific products; check order status, history, and tracking; print a copy of their invoice(s); and add additional users with specific access rights. Offering a truly secure connection, users are prompted to create their own unique password upon their initial login. For Peerless-AV partners, the portal is an easily accessible all-in-one solution.



INTEGRATED  
PARTNER  
PROGRAM

The Peerless-AV Integrated Partner Program rewards reseller sales representatives with great benefits and elite privileges that recognize your value to our organization. Partners are first to receive new product announcements, access to exclusive product lines, priority contact with industry-leading customer service, technical support and engineering services, all delivered in a password-protected website. The features and benefits of the program ensure you are well informed, better educated, and totally dialed-in to Peerless-AV. Contact your Peerless-AV representative for more information on joining the Integrated Partner Program.



## TAKE ADVANTAGE OF PEERLESS-AV VALUE-ADDED TRAINING PROGRAMS TODAY!

At Peerless-AV, we are dedicated to professional development. Our top-notch training team is committed to continuously meeting your needs by ensuring your business is optimizing your sales techniques and has full knowledge of our product offering, as well as providing you with optimum installation and safety procedures.

### SALES TRAINING PROGRAM

The Peerless-AV Sales Training Program will provide you with the knowledge you need to feel confident selling Peerless-AV products. You will receive a complete overview of our extensive product line and learn selling strategies tailored to your specific needs. You will also learn about market trends and their effect on your specific products, as well as how to optimize attachment rates.

### INSTALLATION AND SAFETY TRAINING PROGRAM

Peerless-AV's highly regarded Installation Safety Training Program is compliant with standards established for continuing education for system integrators and installers. This program is led by Certified Technology Specialists (CTS) who have the sales application and engineering experience to make every job successful for you.

### INDUSTRY RELEVANT WEBINARS

Peerless-AV® works with industry-leading publications to put on informative webinars focused on educating the industry. By bringing in a variety of AV industry experts to work alongside Peerless-AV leaders, these complimentary learning sessions offer an array of knowledge garnered from different backgrounds. We cover a wide-range of topics with everything from LED Video Wall Installs to Maximizing Outdoor AV in the Home. Many of these sessions are certified by InfoComm for Certified Technology Specialist (CTS) Renewal Units (RU).



### SALES TRAINING PROGRAM

Call 800-865-2112, ext 420 or e-mail [training@peerless-av.com](mailto:training@peerless-av.com) to get more information on how we can fit your needs.

### INSTALLATION SAFETY TRAINING PROGRAM

Call 800-865-2112, ext 400 or e-mail [training@peerless-av.com](mailto:training@peerless-av.com) to schedule this valuable class.

### EDUCATIONAL INDUSTRY WEBINARS

E-mail [marketing@peerless-av.com](mailto:marketing@peerless-av.com) for a schedule of upcoming industry webinars.

peerless-AV®

75  
Years of  
INNOVATION

est. 1941



CUSTOM SOLUTIONS

## PEERLESS-AV CUSTOM SOLUTIONS

For more information  
on developing your custom  
solution, contact Peerless-AV  
at 800-865-2112  
or [info@peerless-av.com](mailto:info@peerless-av.com).

peerless-AV®

75  
Years of  
INNOVATION  
est. 1941

## PEERLESS-AV CUSTOM TEAM: OFTEN IMITATED, NEVER DUPLICATED

Just because it doesn't exist yet, doesn't mean we can't design and manufacture it for you. Peerless-AV is the industry leader for custom solutions. In fact, the first ever television mount was developed by Peerless-AV as a 'custom inquiry'.

## CUSTOM PROJECT MANAGERS

The Peerless-AV Custom Solutions Team provides a single point of contact who oversees the project every step of the way, ensuring an ideal solution and timely delivery of your custom project.

## DEDICATED ENGINEERS

Peerless-AV employs one of the industry's largest and most experienced custom engineering and support staff. Our team features diverse skill sets and backgrounds creating a unique think-tank style atmosphere.

## STATE-OF-THE-ART DESIGN AND PRODUCTION

The Peerless-AV Custom Solutions Team maintains its own high-tech engineering and manufacturing equipment so you never have to 'wait your turn' as you do with companies that outsource production. Utilizing FEA Simulation software for predictive modeling allows our engineering team to virtually test design performance before prototypes are produced.

Laser CNC machining equipment offers rapid turnaround design prototypes, and faster finished products, making it easy for you to get a custom solution, even on a tough deadline.

## Peerless-AV's Outdoor Displays are the All Season Solution



- Truly sunlight readable and completely waterproof
- Anti-reflective, impact resistant cover glass
- Maintenance free design with zero fans, vents or filters

The Xtreme™ Outdoor display is the industry's only maintenance-free, sunlight readable and completely weatherproof display. With the highest waterproof and dustproof rating in its class, the Xtreme™ display is the perfect choice for any location, indoor or out. **Learn more on pages 10-11.**

## The Ultimate Outdoor Entertainment Experience



- Maintenance-free with zero filters
- Rugged exterior provides ultimate defense against weather
- Clear, crisp picture with full HD 1080P resolution

The UltraView™ Outdoor TV is an all-season solution for your ideal outdoor experience. Whether you're hosting a BBQ with family or a backyard tailgate with friends, outdoor entertainment is now a reality with UltraView. **Learn more on page 16.**



# The ABCs of Outdoor TVs and Displays

Before you buy an outdoor TV or display, understand what to look for, what critical features need to be included, and which features best match the intended use. **Critical features:**

## WEATHERPROOF

First and foremost, any TV or flat panel display that is going to be used outdoors needs to be weatherproof. The unit should be completely sealed, even down to the cable entry. This will ensure that the internal components are protected from precipitation, dust, and insects. This is vital regardless of where the TV or outdoor digital display is going to be mounted — whether in a sports stadium, restaurant, transportation hub, amusement park, marina, on a yacht, a backyard patio or by the pool.

## LOW MAINTENANCE

Maintenance is kept to a minimum with fully-sealed displays that leave no openings anywhere in the housing. Units that leverage thermal transfer technologies don't require external vents, filters, or exhaust fans, eliminating the costs and maintenance typically associated with those elements. With heat transfer, the internal system of a unit is safely warmed in extreme cold and cooled in extreme heat, so components aren't subjected to extreme temperature fluctuations. The frame construction should be made from a highly resilient, weatherproof material, such as aluminum, that resists rust and corrosion.

## EXTREME TOLERANCE

Look for industry ratings that certify whether a specific TV or display can withstand the elements. The IP rating for residential applications should not be below an IP55 rating. For outdoor units used in marine and commercial applications, look for IP 67/68 and NEMA 6 ratings that signify the unit's protection against dirt, dust, insects and water. The IP 67/68 and NEMA 6 ratings are the industry's highest ratings for flat panel displays, and indicate a specific unit's ability to operate outside year-round without damage, allowing for installations during every season.

## FORM AND FUNCTION

Aside from requiring protection from the elements, outdoor TVs and digital signage solutions still need to look good and deliver exceptional sound and picture. Slim and smooth bezels are not only attractive, but enable multiple units to be joined together to create a variety of outdoor installations. When multiple units are mounted together it creates a seamless look as if it were one large panel. Features such as an ambient light sensor can make a big difference, too. The sensor can automatically adjust the image brightness to best match any lighting conditions. Impact resistant glass protects the screen from impacts and the elements, and if the screen does break, viewers and property alike will be protected from any broken glass.





**OUTDOOR DISPLAYS**

**CL-49PLC68-OB/CLP-49PLC68-OB Models**  
49" Xtreme™ Outdoor Daylight Readable Displays ..... pg# 10

**CL-55PLC68-OB/CLP-55PLC68-OB Models**  
55" Xtreme™ Outdoor Daylight Readable Displays ..... pg# 11

**OUTDOOR AUDIO**

**SPK-060**  
Xtreme™ Outdoor Soundbar for 42" to 80" Displays ..... pg# 12

**OUTDOOR INTERACTIVITY**

**IRTO49-100/IRTO55-100 Models**  
Xtreme™ Outdoor IR Touch Overlay for 49" and 55" Optically Bonded Peerless-AV® Xtreme™ Displays ..... pg# 13

**PCT049-100(P)/PCT055-100(P) Models**  
Xtreme™ Outdoor PCAP Touch Overlay for 49" and 55" Optically Bonded Peerless-AV® Xtreme™ Displays ..... pg# 14

**OUTDOOR TVs**

**CL-4765/CL-5565 Models**  
47" & 55" UV2™ Outdoor TVs..... pg# 15

**UV491/UV551/UV651 Models**  
49", 55" & 65" UltraView™ Outdoor TVs ..... pg# 16

**OUTDOOR ACCESSORIES**

**REM-0006**  
Remote ..... pg# 17

**CLCOV-MD-GR, CLCOV-LG-GR Models**  
TV/Display Covers ..... pg# 17

**OUTDOOR MOUNTS**

**ESF655P**  
Outdoor Universal Flat Wall Mount - Portrait for 42" to 55" Displays ..... pg# 18

**EPT630/EPT650(-S) Models**  
Outdoor Tilt Wall Mounts - Landscape for 22" to 40" & 32" to 75" Displays ..... pg# 19

**EDS-VW765-LAND**  
SmartMount® Outdoor Full Service Video Wall Mount - Landscape for 40" to 55" Displays ..... pg# 20

**EPA762PU/ESA763PU**  
Outdoor Articulating Wall Mounts for 42" to 75" & 32" to 80" Displays ..... pg# 21

**EWMU Models**  
Wind Rated Tilt Wall Mount for 32" to 65" Outdoor Displays ..... pg# 22

**ECMU Models**  
Wind Rated Tilt Ceiling Mount for 32" to 65" Outdoor Displays ..... pg# 23

**EPMU Models**  
Wind Rated Tilt Pedestal Mount for 32" to 65" Outdoor Displays ..... pg# 24



CALL: 630-375-5100  
800-865-2112



FAX: 630-820-8537  
800-359-6500



E-MAIL:  
info@peerless-av.com



ONLINE:  
peerless-av.com



MODELS

<b>CL-49PLC68-OB</b>	Landscape	Black
<b>CLP-49PLC68-OB</b>	Portrait	Black

SPECIFICATIONS

Display Size	49" Diagonal
Resolution	1920 x 1080
Brightness	700cd/m2
Contrast Ratio	1300:1
Viewing Angle	178° Vertical/Horizontal
Refresh Rate	60Hz
Response Time	8ms (Gray to Gray)
Operating Temperature	-40°F to 140°F
Inputs	Coax, VGA, HDMI, Component, Composite, USB, RS232 (Serial Control)
VESA® Pattern	600 x 400mm
Product Dimensions (W x H x D)	44.51" x 26.00" x 5.73" (1131 x 661 x 145mm)
Ship Weight	108lb (49kg)

CERTIFICATIONS



SALT, AIR & WATER  
CERTIFIED TO  
MIL-STD-810G

ACCESSORIES



**EPF655P:**  
Outdoor Universal  
Flat Wall Mount - Portrait ..... pg# 18



**EPT650(-S):**  
Outdoor Universal  
Tilt Wall Mount ..... pg# 19



**EDS-VW765-LAND:**  
Outdoor Full Service  
Video Wall Mount ..... pg# 20



**EPA762PU/ESA763PU:**  
Outdoor Articulating  
Wall Mounts ..... pg# 21



**CLCOV-MD-GR:**  
TV/Display Covers - Medium .... pg# 17



**CL-ENCL68:**  
Outdoor Media Player  
Enclosure ..... pg# 47

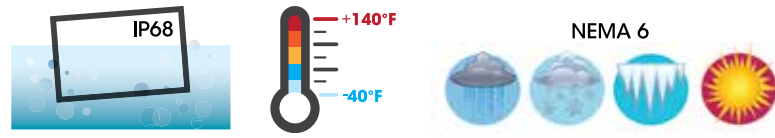
Contact Peerless-AV Customer Care for more information.

# Xtreme™ Outdoor Daylight Readable Displays

## 49" Outdoor Displays

1. Daylight Readable Full HD 1080p resolution for bright, crisp picture
2. Fully-sealed design prevents water, dust or insects from entering the display
3. Patented Dynamic Thermal Transfer™ system keeps internal components safely warmed in extreme cold and properly cooled in extreme heat
4. Ambient light sensor automatically adjusts brightness to best match the lighting conditions
5. Anti-reflective, impact-resistant cover glass protects the screen against damage
6. Polarized glass for optimal viewing with polarized sunglasses\*

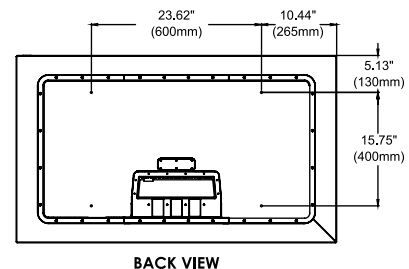
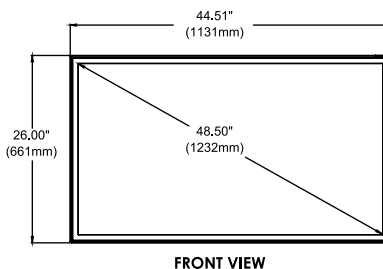
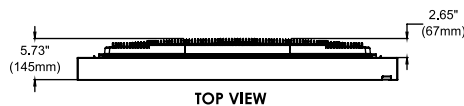
\* Portrait model only



Use Peerless-AV® Outdoor Mounting Solutions for the perfect outdoor experience, see pages 18-24

TECHNICAL DRAWINGS

For expanded product information and technical data visit [peerless-av.com](http://peerless-av.com)



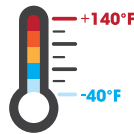
To verify mount compatibility with any display or projector model use MountFinder™ at [peerless-av.com](http://peerless-av.com).

# Xtreme™ Outdoor Daylight Readable Display

55" Outdoor Display

1. Daylight Readable Full HD 1080p resolution for bright, crisp picture
2. Fully-sealed design prevents water, dust or insects from entering the display
3. Patented Dynamic Thermal Transfer™ system keeps internal components safely warmed in extreme cold and properly cooled in extreme heat
4. Ambient light sensor automatically adjusts brightness to best match the lighting conditions
5. Anti-reflective, impact-resistant cover glass protects the screen against damage
6. Polarized glass for optimal viewing with polarized sunglasses\*

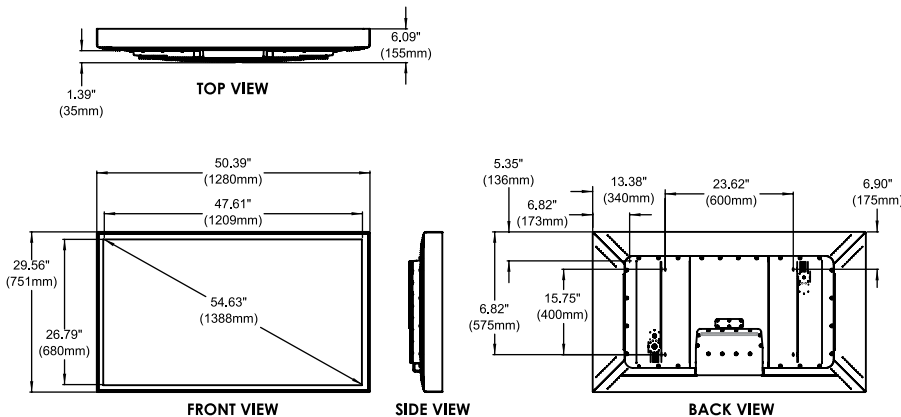
\* Portrait model only



Use Peerless-AV® Outdoor Mounting Solutions for the perfect outdoor experience, see pages 18-24

For expanded product information and technical data visit [peerless-av.com](http://peerless-av.com)

## TECHNICAL DRAWINGS



## OUTDOOR DISPLAYS & MOUNTS



OUTDOOR DISPLAYS

### MODELS

<b>CL-55PLC68-OB</b>	Landscape	Black
<b>CLP-55PLC68-OB</b>	Portrait	Black

### SPECIFICATIONS

<b>Display Size</b>	55" Diagonal
<b>Resolution</b>	1920 x 1080
<b>Brightness</b>	700cd/m2
<b>Contrast Ratio</b>	1000:1
<b>Viewing Angle</b>	178° Vertical/Horizontal
<b>Refresh Rate</b>	120Hz
<b>Response Time</b>	9ms (Gray to Gray)
<b>Operating Temperature</b>	-40°F to 140°F
<b>Inputs</b>	Coax, VGA, HDMI, Component, Composite, USB, RS232 (Serial Control)
<b>VESA® Pattern</b>	600 x 400mm
<b>Product Dimensions (W x H x D)</b>	50.39" x 29.56" x 6.09" (1280 x 751 x 155mm)
<b>Ship Weight</b>	151lb (68.5kg)

### CERTIFICATIONS



SALT, AIR & WATER  
 CERTIFIED TO  
 MIL-STD-810G

### ACCESSORIES

- EPF655P:** Outdoor Universal Flat Wall Mount - Portrait ..... pg# 18
- EPT650(-S):** Outdoor Universal Tilt Wall Mount ..... pg# 19
- EDS-VW765-LAND:** Outdoor Full Service Video Wall Mount ..... pg# 20
- EPA762PU/ESA763PU:** Outdoor Articulating Wall Mount..... pg# 21
- CLCOV-IG-GR:** TV/Display Covers - Large ..... pg# 17
- CL-ENCL68:** Outdoor Media Player Enclosure..... pg# 47

To verify mount compatibility with any display or projector model use MountFinder™ at [peerless-av.com](http://peerless-av.com).

Contact Peerless-AV Customer Care for more information.



MODELS

Universal Models:

**SPK-060**

DISPLAY ADAPTOR



VESA® Pattern

Universal Models: 400mm Wide Pattern

SPECIFICATIONS

Product Dimensions (W x H x D)

38.09" x 3.91" x 4.07"  
(967 x 99 x 103mm)

Ship Weight

18.4lb (8.35kg)

Specifications

<b>Built-In Class D Amplifier</b>	Total System Power: 180 watts
<b>SPL</b>	103dB
<b>Crossover</b>	Digital Signal Processing (DSP)
<b>Drivers</b>	(2) 3" (76mm) Aluminum Drivers
<b>Tweeters</b>	(2) 1.5" (38mm) Titanium Domes
<b>Audio Inputs</b>	(1) Analog 3.5mm Connector, (1) Bluetooth® 4.0 Input
<b>Environmental Protection Rating</b>	IP65
<b>Frequency Response</b>	50Hz - 20kHz
<b>Operating Temperature Range</b>	-40° - 160°F (-40° - 71°C)

CERTIFICATIONS

**IP65** **Bluetooth®**

ACCESSORIES



**UV491:**  
49" UltraView™ Outdoor TV..... pg# 16



**UV551:**  
55" UltraView™ Outdoor TV..... pg# 16



**UV651:**  
65" UltraView™ Outdoor TV..... pg# 16

# Xtreme™ Outdoor Soundbar

For 42" to 80" Displays

1. Built-in Class D amplifier outputs 180W total system power
2. IP65 rated aluminum enclosure features gaskets at every seam that seal, isolate and protect the soundbar's electronics from the outside environment
3. High quality drivers provide great sounding full range audio (50Hz - 20kHz)
4. Built-in Bluetooth® module wirelessly streams audio from Bluetooth® enabled devices
5. Control the power level, tone, and input selection with the 12 button IR remote control
6. Standard analog input allows for use with all leading outdoor TVs
7. Easily mounts to the Peerless-AV® Xtreme™ line of weatherproof displays, universal mount also included
8. Decorative end caps can be positioned in 90° intervals to aesthetically enhance any mounting scenario

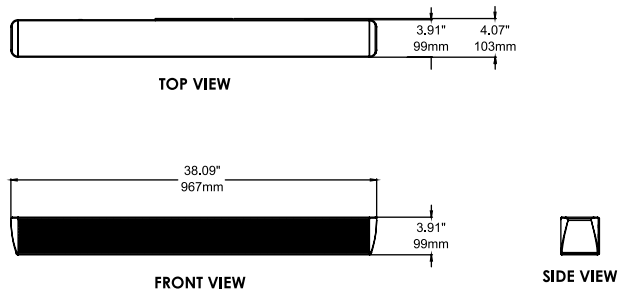


WEATHER RESISTANT



TECHNICAL DRAWINGS

For expanded product information and technical data visit [peerless-av.com](http://peerless-av.com)



To verify mount compatibility with any display or projector model use MountFinder™ at [peerless-av.com](http://peerless-av.com).



CALL: 630-375-5100  
800-865-2112



FAX: 630-820-8537  
800-359-6500



E-MAIL: [info@peerless-av.com](mailto:info@peerless-av.com)



ON-LINE: [peerless-av.com](http://peerless-av.com)



# Xtreme™ Outdoor IR Touch Overlay

For 49" and 55" Optically Bonded Peerless-AV® Xtreme™ Displays

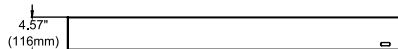
1. Tested to IP65/NEMA 4X standards to provide protection against the ingress of dust and water
2. Works well with many input devices such as a finger, glove, pointer, etc.
3. Easy setup, no driver installation required\*
4. Ten point IR touch allows for flexibility in content selection
5. Made from powder coated aluminum
6. USB cable included
7. Works with multiple operating systems (see specifications)
8. Security screws fasten overlay to display to prevent theft



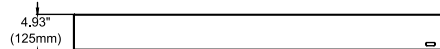
\* Portrait orientation may require driver installation or calibration

For expanded product information and technical data visit [peerless-av.com](http://peerless-av.com)

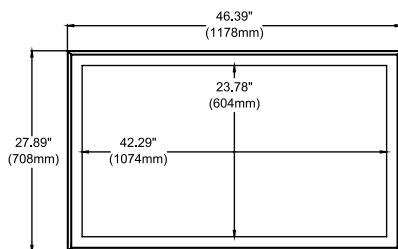
## TECHNICAL DRAWINGS



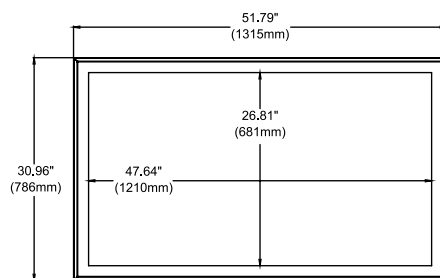
IRTO49-100(P) TOP VIEW



IRTO55-100(P) TOP VIEW



IRTO49-100(P) BACK VIEW



IRTO55-100(P) BACK VIEW



## MODELS

### Universal Models:

<b>IRTO49-100</b>	For 49" Displays	Textured black
<b>IRTO55-100</b>	For 55" Displays	Textured black

## SPECIFICATIONS



### Product Dimensions (W x H x D)

<b>IRTO49-100:</b>	46.39" x 27.89" x 4.57" (1178 x 708 x 116mm)
<b>IRTO55-100:</b>	51.79" x 30.96" x 4.93" (1315 x 786 x 125mm)

### Touch Specifications

<b>Environmental Rating:</b>	IP65 / NEMA 4X
<b>Operating Temperature:</b>	-4°F - 158°F (-20°C - 70°C)
<b>Storage Temperature:</b>	-40°F - 185°F (-40°C - 85°C)
<b>Signal Connection:</b>	USB A cable 4.5 feet
<b>Compatible Operating Systems:</b>	Windows Vista, XP, 7, 8, 10, Mac OS Linux® Android™
<b>Touch Points:</b>	10 point maximum
<b>Touch Response:</b>	3-10 mS

## CERTIFICATIONS



## ACCESSORIES



**CL-49PLC68-OB:**  
49" Xtreme™ Outdoor Daylight  
Readable Display - Landscape ..... pg# 10



**CLP-49PLC68-OB:**  
49" Xtreme™ Outdoor Daylight  
Readable Display - Portrait ..... pg# 10



**CL-55PLC68-OB:**  
55" Xtreme™ Outdoor Daylight  
Readable Display - Landscape ..... pg# 11



**CLP-55PLC68-OB:**  
55" Xtreme™ Outdoor Daylight  
Readable Display - Portrait ..... pg# 11



**KOL549-(S)-XTR/KOL555-(S)-XTR:**  
Xtreme™ Outdoor Landscape Kiosk  
with (1) 49" or (1) 55" Optically Bonded  
Peerless-AV® Xtreme™ Display ..... pg# 38



**PVP1000-CPL6:**  
Surge Protector with Six Outlets... pg# 234

To verify mount compatibility with any display or projector model use MountFinder™ at [peerless-av.com](http://peerless-av.com).



CALL: 630-375-5100  
800-865-2112



FAX: 630-820-8537  
800-359-6500



E-MAIL:  
[info@peerless-av.com](mailto:info@peerless-av.com)



ON-LINE:  
[peerless-av.com](http://peerless-av.com)



MODELS

Universal Models:

<b>Landscape models:</b>		
<b>PCT049-100</b>	For 49" Displays	Textured black
<b>PCT055-100</b>	For 55" Displays	Textured black
<b>Portrait models:</b>		
<b>PCT049-100P</b>	For 49" Displays	Textured black
<b>PCT055-100P</b>	For 55" Displays	Textured black

SPECIFICATIONS



Product Dimensions (W x H x D)

<b>PCT049-100:</b>	47.22" x 28.72" x 4.44" (1199 x 729 x 113mm)
<b>PCT055-100:</b>	52.62" x 31.79" x 4.80" (1336 x 807 x 122mm)

Touch Specifications

<b>Environmental Rating:</b>	IP65 / NEMA 4X
<b>Operating Temperature:</b>	-4°F - 158°F (-20°C - 70°C)
<b>Storage Temperature:</b>	-40°F - 275°F (-40°C - 135°C)
<b>Signal Connection:</b>	USB A cable
<b>Compatible Operating Systems:</b>	Windows 7, 8, 10, Mac OS*, Linux®
<b>Touch Points:</b>	40 point maximum
<b>Touch Monitoring:</b>	Equipped with Palm Detection to overcome potential false signaling
<b>Touch Response:</b>	5 mS

CERTIFICATIONS



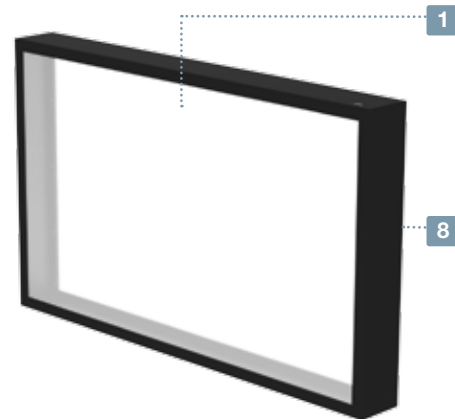
ACCESSORIES

-  **CL-49PLC68-0B:**  
49" Xtreme™ Outdoor Daylight Readable Display - Landscape ..... pg# 10
-  **CLP-49PLC68-0B:**  
49" Xtreme™ Outdoor Daylight Readable Display - Portrait ..... pg# 10
-  **CL-55PLC68-0B:**  
55" Xtreme™ Outdoor Daylight Readable Display - Landscape ..... pg# 11
-  **CLP-55PLC68-0B:**  
55" Xtreme™ Outdoor Daylight Readable Display - Portrait ..... pg# 11
-  **KOL549-(S)-XTR/KOL555-(S)-XTR:**  
Xtreme™ Outdoor Landscape Kiosk with (1) 49" or (1) 55" Optically Bonded Peerless-AV® Xtreme™ Display ..... pg# 38
-  **PVP1000-CPL6:**  
Surge Protector with Six Outlets... pg# 234

# Xtreme™ Outdoor PCAP Touch Overlay

For 49" and 55" Optically Bonded Peerless-AV® Xtreme™ Displays

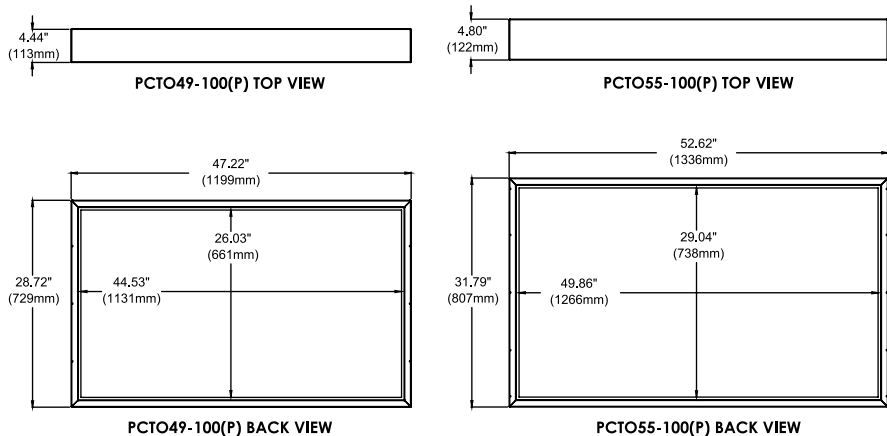
1. Tested to IP65/NEMA 4X standards to provide protection against the ingress of dust and water
2. Works with finger or stylus
3. Supports Windows 7, 8 and 10 touch gestures
4. 40 touches with gesture support
5. Made from powder coated aluminum
6. USB cable included
7. Works with multiple operating systems (see specifications)
8. Security screws fasten overlay to display to prevent theft



\* Single Touch - Mac OS X Yosemite (multitouch support through TUIO bridge)

TECHNICAL DRAWINGS

For expanded product information and technical data visit [peerless-av.com](http://peerless-av.com)



To verify mount compatibility with any display or projector model use MountFinder™ at [peerless-av.com](http://peerless-av.com).



CALL: 630-375-5100  
800-865-2112



FAX: 630-820-8537  
800-359-6500



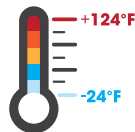
E-MAIL: [info@peerless-av.com](mailto:info@peerless-av.com)



ON-LINE: [peerless-av.com](http://peerless-av.com)

# UV2™ Outdoor TV

1. Integrated thermal management system allows an operating range of -24°F to 124°F
2. Construction materials provide the ultimate defense against weather, discoloration and impact
3. Anti-reflective, impact-resistant cover glass protects the screen against damage
4. Waterproof external speakers provide excellent sound



NEMA 4X

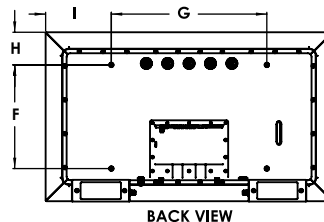
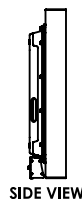
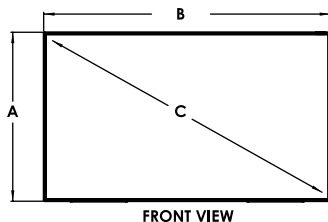
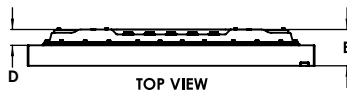


Use Peerless-AV Outdoor Mounting Solutions for the perfect outdoor experience, see pages 16-20

For expanded product information and technical data visit [peerless-av.com](http://peerless-av.com)

## TECHNICAL DRAWINGS

MODEL NO.	A	B	C	D	E	F	G	H
CL-4765	25.67" (652mm)	43.58" (1107mm)	46.96" (1193mm)	2.41" (61mm)	5.52" (140mm)	15.75" (400mm)	23.62" (600mm)	4.96" (126mm)
CL-5565	29.56" (751mm)	50.39" (1280mm)	57.49" (1460mm)	2.41" (61mm)	5.85" (149mm)	15.75" (400mm)	23.62" (600mm)	6.90" (175mm)
								I
								9.98" (253mm)
								13.38" (340mm)



## OUTDOOR DISPLAYS & MOUNTS



### MODELS

<b>CL-4765</b>	47" Outdoor TV	Black
<b>CL-5565</b>	55" Outdoor TV	Black

### SPECIFICATIONS

<b>Display Size</b>	CL-4767: 47" Diagonal CL-5565: 55" Diagonal
<b>Resolution</b>	1920 x 1080
<b>Brightness</b>	700cd/m2
<b>Contrast Ratio</b>	1000:1
<b>Viewing Angle</b>	178° Vertical/Horizontal
<b>Refresh Rate</b>	120Hz
<b>Response Time</b>	9ms (Gray to Gray)
<b>Operating Temperature</b>	-24°F to 124°F
<b>Inputs</b>	Coax, VGA, HDMI, Component, Composite, USB, RS232 (Serial Control)
<b>VESA® Pattern</b>	600 x 400mm
<b>Product Dimensions (W x H x D)</b>	CL-4767: 43.58" x 25.67" x 5.52" (1107 x 652 x 140mm) CL-5565: 50.39" x 29.56" x 5.85" (1280 x 751 x 149mm)
<b>Ship Weight</b>	CL-4767: 103lb (46.8kg) CL-5565: 133lb (60.5kg)

### CERTIFICATIONS



### ACCESSORIES



**EPT650(-S):**  
Outdoor Universal  
Tilt Wall Mount ..... pg# 19



**EPA762PU/ESA763PU:**  
Outdoor Articulating  
Wall Mount..... pg# 21



**CLCOV-MD-GR/CLCOV-LG-GR:**  
TV/Display Covers - Medium/Large.. pg# 17

To verify mount compatibility with any display or projector model use MountFinder™ at [peerless-av.com](http://peerless-av.com).



CALL: 630-375-5100  
800-865-2112



FAX: 630-820-8537  
800-359-6500



E-MAIL:  
[info@peerless-av.com](mailto:info@peerless-av.com)



ON-LINE:  
[peerless-av.com](http://peerless-av.com)



MODELS

<b>UV491</b>	49" Outdoor TV	Black
<b>UV551</b>	55" Outdoor TV	Black
<b>UV651</b>	65" Outdoor TV	Black

SPECIFICATIONS

Display Size	
UV491:	49" Diagonal
UV551:	55" Diagonal
UV651:	65" Diagonal
Resolution	
1920 x 1080	
Brightness	
UV491 & UV551:	500cd/m2
UV651:	450cd/m2
Contrast Ratio	
1300:1	
Viewing Angle	
178° Vertical/Horizontal	
Refresh Rate	
60Hz	
Response Time	
8ms (Gray to Gray)	
Operating Temperature	
-24°F to 122°F	
Inputs	
Coax, VGA, HDMI, Component, Composite, USB, RS232 (Serial Control)	
VESA® Pattern	
UV491/UV551:	400 x 300mm
UV651:	600 x 400mm
Product Dimensions (W x H x D)	
UV491:	44.43" x 25.93" x 4.15" (1128 x 659 x 105mm)
UV551:	50.38" x 29.55" x 4.15" (1280 x 751 x 105mm)
UV651:	59.69" x 35.34" x 4.15" (1516 x 898 x 105mm)
Ship Weight	
UV491:	60lb (27.21kg)
UV551:	83lb (37.65kg)
UV651:	122lb (55.3kg)

CERTIFICATIONS

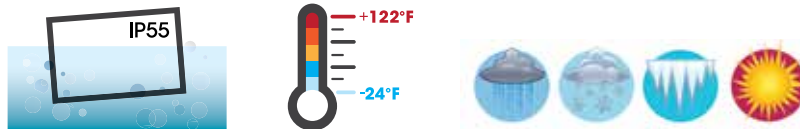


ACCESSORIES

- SPK-060:** Xtreme™ Outdoor Soundbar ... pg# 12
- EPT650(-S):** Outdoor Universal Tilt Wall Mount ..... pg# 19
- EPA762PU/ESA763PU:** Outdoor Articulating Wall Mount..... pg# 21

# UltraView™ Outdoor TV

- LED backlight and full HD 1080p resolution for a bright, crisp picture
- Operating temperature range of -24°F to 122°F
- Aluminum construction materials provide the ultimate defense against weather and discoloration
- Maintenance-free design, no need to ever change filters
- Sealed cable entry helps prevent water and debris from getting inside
- Waterproof universal remote can control up to 3 additional devices
- Internal speakers provide excellent sound without detracting from the TV's aesthetics
- Optional Accessory: Xtreme™ Outdoor Soundbar mounts right below or above the TV

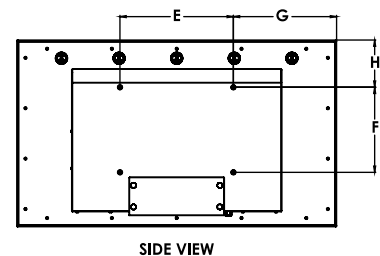
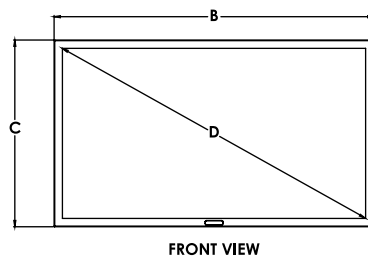


Use Peerless-AV® Outdoor Mounting Solutions for the perfect outdoor experience, see pages 18-24

TECHNICAL DRAWINGS

For expanded product information and technical data visit [peerless-av.com](http://peerless-av.com)

MODEL NO.	A	B	C	D	E	F	G	H
UV491	3.54" (90mm)	44.43" (1128mm)	25.93" (659mm)	48.28" (1226mm)	15.75" (400mm)	11.81" (300mm)	14.34" (364mm)	6.56" (167mm)
UV551	3.54" (90mm)	50.38" (1280mm)	29.55" (751mm)	54.62" (1387mm)	15.75" (400mm)	11.81" (300mm)	17.32" (440mm)	8.28" (210mm)
UV651	3.54" (90mm)	59.69" (1516mm)	35.34" (898mm)	64.19" (1630mm)	23.62" (600mm)	15.75" (400mm)	18.07" (459mm)	9.79" (249mm)
								I
								.81" (15mm)
								.81" (15mm)
								.81" (15mm)



To verify mount compatibility with any display or projector model use MountFinder™ at [peerless-av.com](http://peerless-av.com).

# Remote & TV/Display Covers

## REM-0006

### Remote

1. IP67 rated prevents ingress of water and dust
2. Programmable universal remote can control up to 4 devices
3. Pre-programmed with the latest library of codes



## CLCOV-MD-GR, CLCOV-LG-GR

### TV/Display Covers

1. Uses quality vinyl material to ensure the display is properly protected
2. Helps prolong the life of the display
3. Hook-and-loop fastening system ensures the cover stays in place during all weather conditions



To verify mount compatibility with any display or projector model use MountFinder™ at [peerless-av.com](http://peerless-av.com).



CALL: 630-375-5100  
800-865-2112



FAX: 630-820-8537  
800-359-6500



E-MAIL:  
[info@peerless-av.com](mailto:info@peerless-av.com)



ON-LINE:  
[peerless-av.com](http://peerless-av.com)



MODELS

**Universal Models:**

Includes theft resistant hardware

Outdoor Universal Flat Wall Mount - Portrait:

**ESF655P** 42" to 55" Displays Black

DISPLAY ADAPTOR



**Mounting Pattern (W x H)**

450 x 745mm  
(17.73" x 29.31")



**VESA® Pattern**

Up to 400 x 600mm

SPECIFICATIONS



**Distance from Wall**

1.77" (45mm)



**Max Load**

150lb (68kg)

**Product Dimensions (W x H x D)**

19.37" x 30.25" x 1.77"  
(492 x 768 x 45mm)

**Mounting Surfaces**

Wood, concrete or  
cinder/breeze block

**Ship Weight**

8.2lb (3.7kg)

CERTIFICATIONS



**RoHS**  
2002/95/EC

ACCESSORIES



**CLP models:**

Xtreme™ Outdoor Displays - Portrait..... pg# 10-11



**Wireless Outdoor Kit:**

HDS-OWK-300..... pg# 44



**Wireless Outdoor Module:**

HDS-OWRE-300..... pg# 44

# Outdoor Universal Flat Wall Mount

For 42" to 55" Displays

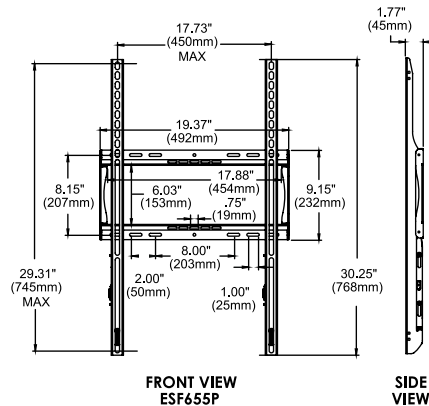
1. Made of corrosion resistant materials for weather resistance
2. Low-profile design holds display only 1.77" (45mm) from the wall for a clean application
3. Wall plate knockouts provide additional wall access for improved power and cable management
4. Horizontal display adjustment for better display placement
5. Universal display adaptors easily hook onto wall plate for a quick installation



Please visit [peerless-av.com/en-us/patents](http://peerless-av.com/en-us/patents) for patent information.

TECHNICAL DRAWINGS

For expanded product information and technical data visit [peerless-av.com](http://peerless-av.com)



To verify mount compatibility with any display or projector model use MountFinder™ at [peerless-av.com](http://peerless-av.com).



CALL: 630-375-5100  
800-865-2112



FAX: 630-820-8537  
800-359-6500



E-MAIL: [info@peerless-av.com](mailto:info@peerless-av.com)



ON-LINE: [peerless-av.com](http://peerless-av.com)

# Outdoor Tilt Wall Mounts

For 22" to 40" & 32" to 75" Displays



## EPT650

- Made of corrosion resistant materials for weather resistance
- One-Touch™ tilt allows adjustment of +15/-5° with optional tilt lock in 5° increments
- Open wall plate design allows for total wall access, increasing electrical and cable management options
- Horizontal display adjustment for better display placement
- Universal display adaptors easily hook onto wall plate for a quick installation



## EPT630

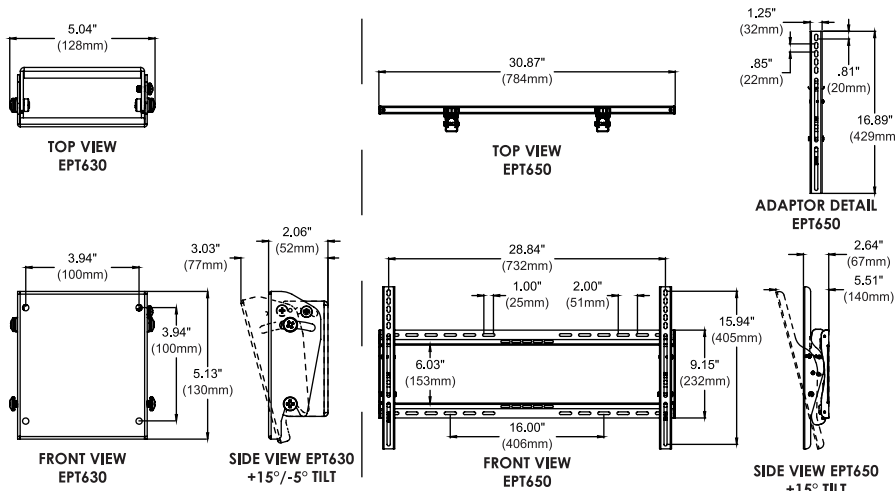
- Made of corrosion resistant materials for weather resistance
- Locking tilt allows adjustment of +15/-5° with optional tilt lock in 5° increments



Please visit [peerless-av.com/en-us/patents](http://peerless-av.com/en-us/patents) for patent information.

For expanded product information and technical data visit [peerless-av.com](http://peerless-av.com)

## TECHNICAL DRAWINGS



## MODELS

### Universal Models:

Includes theft resistant hardware and padlock holes (Padlock not supplied)

Outdoor Universal Tilt Wall Mount - Landscape:

<b>EPT630</b>	22" to 40" Displays	Black
<b>EPT650</b>	32" to 75" Displays	Black
<b>EPT650-S</b>	32" to 75" Displays	Stone Gray

## DISPLAY ADAPTOR

Mounting Pattern	(W x H)
	738 x 405mm (29.04" x 15.95")

VESA® Pattern	
EPT630:	75 x 75, 100 x 100mm
EPT650:	Up to 600 x 400mm

## SPECIFICATIONS

Distance from Wall	
EPT630:	2.06" (52mm)
EPT650:	2.64" (67mm)

Tilt	
	+15/-5°

Max Load	
EPT630:	80lb (36.3kg)
EPT650:	175lb (79kg)

Product Dimensions	(W x H x D)
EPT630:	5.04" x 5.13" x 2.06" (128 x 130 x 52mm)
EPT650:	30.87" x 16.89" x 2.64" (784 x 429 x 67mm)

Mounting Surfaces	
	Wood, concrete or cinder/breeze block

Ship Weight	
EPT630:	1.45lb (0.66kg)
EPT650:	10.5lb (5kg)

## CERTIFICATIONS



## ACCESSORIES

- CL models: (EPT650 only)**  
Xtreme™ Outdoor Displays . pg# 10-11
- CL-4765/CL-5565 models: (EPT650 only)**  
UV2™ Outdoor TVs..... pg# 15
- UV models: (EPT650 only)**  
UltraView™ Outdoor TVs ..... pg# 16
- Wireless Outdoor Kit:**  
HDS-OWK-300..... pg# 44
- Wireless Outdoor Module:**  
HDS-OWRE-300..... pg# 44

To verify mount compatibility with any display or projector model use MountFinder™ at [peerless-av.com](http://peerless-av.com).



MODELS

Universal Models:

Includes theft resistant hardware for attaching display to mount  
**EDS-VW765-LAND** Black

DISPLAY ADAPTOR



VESA® Pattern

Universal Models: 200 x 200 up to 600 x 400mm

SPECIFICATIONS



Distance from Wall

3.54" (90mm)



Max Load

150lb (68kg)



Product Dimensions (W x H x D)

35.43" x 20.11" x 3.54"  
 (900 x 511 x 90mm)

Mounting Surfaces

Wood stud, solid concrete  
 and cinder/breeze block

Ship Weight

43.2lb (19.6kg)

CERTIFICATIONS



ACCESSORIES



CL models:

Xtreme™ Outdoor Displays . pg# 10-11

# Outdoor Full Service Video Wall Mount - Landscape

For 40" to 55" Displays

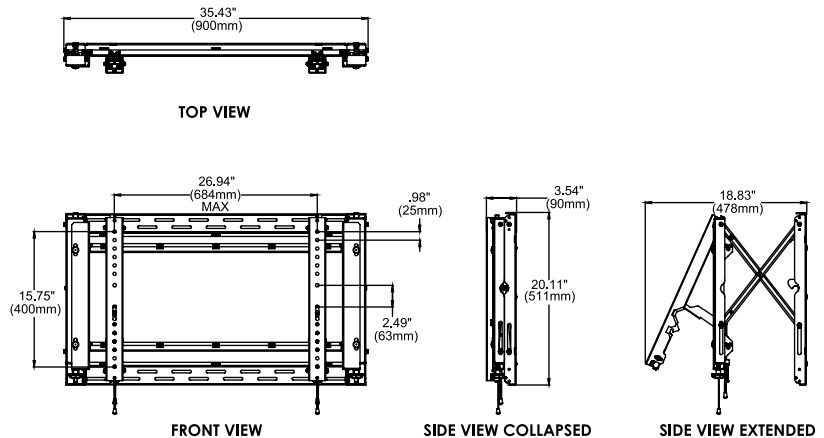
1. Environmentally coated, this mount is engineered to withstand the outdoor/harsh environments
2. Displays click securely into place against the wall with spring-loaded mechanism
3. Toolless micro-adjustments at 8 points allows the mount to overcome uneven walls to create a seamless video wall display
4. Modular mount for unlimited video wall display configurations
5. Integrated cable management tie-backs make display-to-display cabling simple
6. Included security hardware prevents the mount from extending out from the wall
7. Adjustable VESA® mounting hole patterns in 100mm increments, starting at 200 x 200mm up to 600 x 400mm



Please visit [peerless-av.com/en-us/patents](http://peerless-av.com/en-us/patents) for patent information.

TECHNICAL DRAWINGS

For expanded product information and technical data visit [peerless-av.com](http://peerless-av.com)



To verify mount compatibility with any display or projector model use MountFinder™ at [peerless-av.com](http://peerless-av.com).



CALL: 630-375-5100  
 800-865-2112



FAX: 630-820-8537  
 800-359-6500



E-MAIL: [info@peerless-av.com](mailto:info@peerless-av.com)



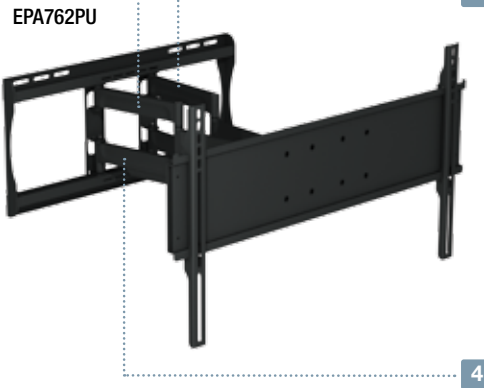
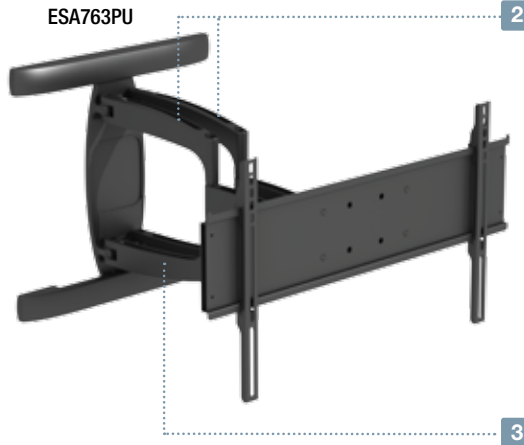
ON-LINE: [peerless-av.com](http://peerless-av.com)



# Outdoor Articulating Wall Mounts

For 42" to 75" & 32" to 80" Displays

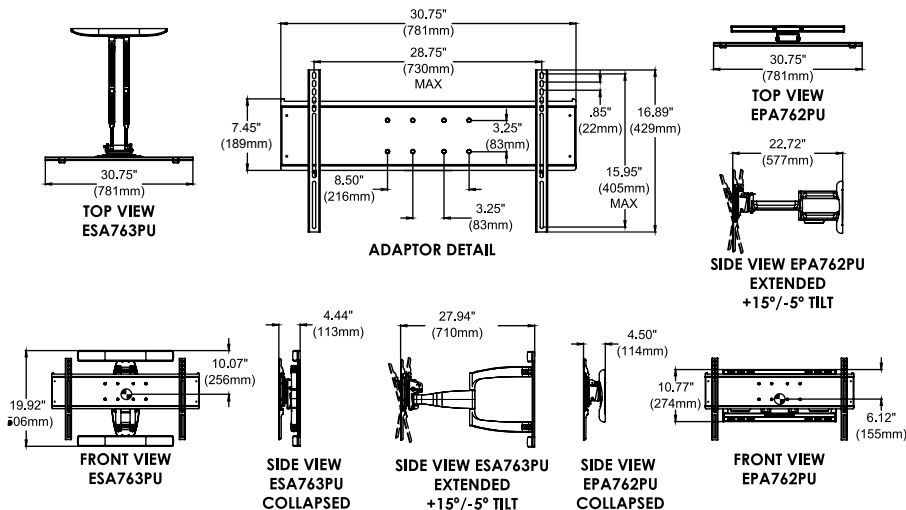
- Made of corrosion resistant materials for weather resistance
- Dual arm construction for added strength and smooth motion on larger displays
- ESA763PU extends from 4.44" (113mm) to 27.94" (710mm) from the wall
- EPA762PU extends from 4.50" (114mm) to 22.72" (577mm) from the wall
- Minimalistic wall plate footprint for increased wall access and improved aesthetic
- Integrated cable management provides ample area to run cables to complete a professional and discrete installation
- IncreLok™ tilt allows adjustment of +15°/-5°



Please visit [peerless-av.com/en-us/patents](http://peerless-av.com/en-us/patents) for patent information.

For expanded product information and technical data visit [peerless-av.com](http://peerless-av.com)

## TECHNICAL DRAWINGS



## MODELS

### Universal Models:

Includes theft resistant hardware for attaching display to mount

<b>EPA762PU</b>	42" to 75" Displays	Black
<b>ESA763PU</b>	32" to 80" Displays	Black

## DISPLAY ADAPTOR

Mounting Pattern	(W x H)
Universal Models:	730 x 405mm (28.74" x 15.94")
VESA® Pattern	
Universal Models:	Up to 600 x 400mm

## SPECIFICATIONS

Distance from Wall	EPA762PU: 4.50"-22.72" (114-577mm) ESA763PU: 4.44"-27.94" (113-710mm)
Tilt   Swivel   Roll	+15/-5°   ±90°
Max Load	EPA762PU: 150lb (68kg) ESA763PU: 200lb (91kg)
Product Dimensions (W x H x D)	EPA762PU: 30.75" x 16.89" x 4.50"-22.72" (781 x 429 x 114-577mm) ESA763PU: 30.75" x 19.92" x 4.44"-27.94" (781 x 506 x 113-710mm)
Mounting Surfaces	Wood stud, concrete and cinder/breeze block
Ship Weight	EPA762PU: 24.40lb (11.07kg) ESA763PU: 42.7lb (19.4kg)

## CERTIFICATIONS



## ACCESSORIES

- CL models:** Xtreme™ Outdoor Displays . pg# 10-11
- CL-4765/CL-5565 models:** UV2™ Outdoor TVs..... pg# 15
- UV models:** UltraView™ Outdoor TVs ..... pg# 16
- Wireless Outdoor Kit:** HDS-OWK-300 ..... pg# 44
- Wireless Outdoor Module:** HDS-OWRE-300 ..... pg# 44

To verify mount compatibility with any display or projector model use MountFinder™ at [peerless-av.com](http://peerless-av.com).



MODELS

Universal Models:

Includes theft resistant hardware for attaching display to socket pin

- EWMU** Black
- EWMU-S** Stone Gray

DISPLAY ADAPTOR



Mounting Pattern (W x H)

Universal Models: 730 x 449mm  
(28.75" x 17.67")



VESA® Pattern

Universal Models: Up to 600 x 400mm

SPECIFICATIONS



Distance from Wall

3.75" (95mm)



Tilt

+15/-5°

Fixed Tilt

0°, 2°, 5°, 10°, 15°



Max Load

200lb (91kg)

Product Dimensions (W x H x D)

30.87" x 18.83" x 3.74"  
(784 x 478 x 95mm)

Mounting Surfaces

Wood stud, concrete  
and cinder/breeze block

Ship Weight

20lb (9kg)

CERTIFICATIONS



ACCESSORIES



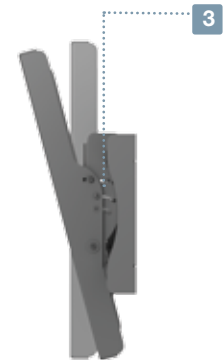
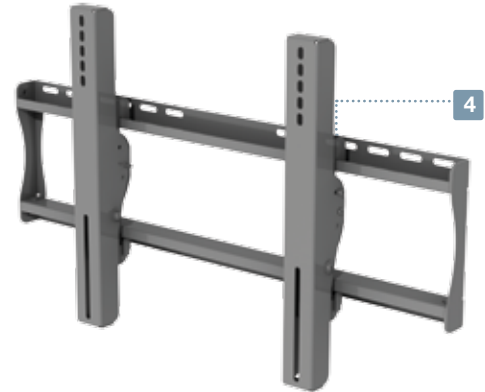
CL models:

Xtreme™ Outdoor Displays . pg# 10-11

# Wind Rated Tilt Wall Mount

For 32" to 65" Outdoor Displays

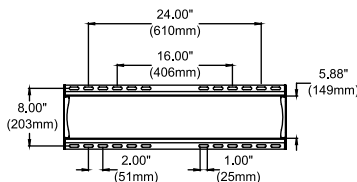
1. Wind rated up to 110mph when fixed tilt mechanism is engaged
2. Designed specifically for outdoor use and constructed from weatherproof materials
3. Easy tilt settings allow for the perfect viewing angle
4. Hook-and-Hang™ design makes installation quick and easy



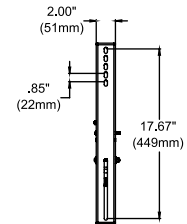
Please visit [peerless-av.com/en-us/patents](http://peerless-av.com/en-us/patents) for patent information.

TECHNICAL DRAWINGS

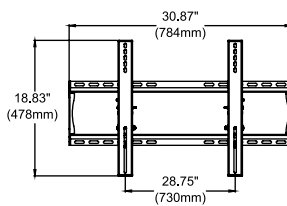
For expanded product information and technical data visit [peerless-av.com](http://peerless-av.com)



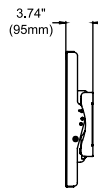
ADAPTOR PLATE DETAIL



ADAPTOR BRACKET DETAIL



FRONT VIEW



SIDE VIEW



SIDE VIEW  
+15°/-5° TILT

To verify mount compatibility with any display or projector model use MountFinder™ at [peerless-av.com](http://peerless-av.com).



CALL: 630-375-5100  
800-865-2112



FAX: 630-820-8537  
800-359-6500



E-MAIL: [info@peerless-av.com](mailto:info@peerless-av.com)



ON-LINE: [peerless-av.com](http://peerless-av.com)

# Wind Rated Tilt Ceiling Mount

For 32" to 65" Outdoor Displays

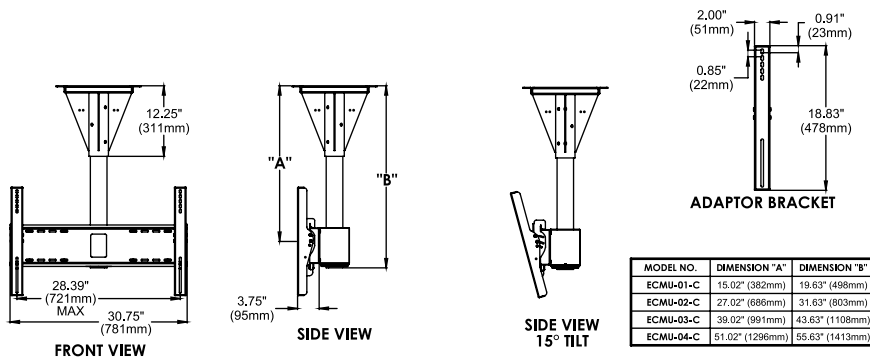
1. Wind rated up to 90mph
2. Designed specifically for outdoor use and constructed from weatherproof materials
3. I-beam or concrete mounting options available
4. Easy tilt settings allow for the perfect viewing angle
5. Swivel feature allows for the display to face the desired direction without adjusting the mounting plate



Please visit [peerless-av.com/en-us/patents](http://peerless-av.com/en-us/patents) for patent information.

For expanded product information and technical data visit [peerless-av.com](http://peerless-av.com)

## TECHNICAL DRAWINGS



## MODELS

### Universal Models:

Includes theft resistant hardware for attaching display to socket pin

Concrete ceiling models:

- ECMU-01-C/-C-S** Black/ Stone Gray
- ECMU-02-C/-C-S** Black/ Stone Gray
- ECMU-03-C/-C-S** Black/ Stone Gray
- ECMU-04-C/-C-S** Black/ Stone Gray

I-Beam models:

- ECMU-01-I/-I-S** Black/ Stone Gray
- ECMU-02-I/-I-S** Black/ Stone Gray
- ECMU-03-I/-I-S** Black/ Stone Gray
- ECMU-04-I/-I-S** Black/ Stone Gray

## DISPLAY ADAPTOR

**Mounting Pattern (W x H)**

Universal Models: 721 x 449mm  
(28.39" x 17.67")



**VESA® Pattern**

Universal Models: Up to 600 x 400mm

## SPECIFICATIONS

**Distance from Ceiling to Center of Display**

- ECMU-01-C/I(-S): 15.02" (382mm)
- ECMU-02-C/I(-S): 27.02" (686mm)
- ECMU-03-C/I(-S): 39.02" (991mm)
- ECMU-04-C/I(-S): 51.02" (1296mm)



**Tilt | Swivel**

+15/-5° | 360° (22° increments)

**Fixed Tilt**

-5°, 0°, 5°, 10°, 15°



**Max Load**

200lb (91kg)

**Product Dimensions (H x W)**

- ECMU-01-C/I(-S): 24.44" x 30.75"  
(621 x 781mm)
- ECMU-02-C/I(-S): 36.44" x 30.75"  
(925 x 781mm)
- ECMU-03-C/I(-S): 48.44" x 30.75"  
(1230 x 781mm)
- ECMU-04-C/I(-S): 60.44" x 30.75"  
(1535 x 781mm)

**Mounting Surfaces**

Concrete or I-Beam

**Ship Weight**

- ECMU-01-C/I(-S): 84.5lb (38kg)
- ECMU-02-C/I(-S): 91.5lb (42kg)
- ECMU-03-C/I(-S): 98.5lb (45kg)
- ECMU-04-C/I(-S): 105.5lb (48kg)

## CERTIFICATIONS



## ACCESSORIES



**CL models:**

Xtreme™ Outdoor Displays . pg# 10-11



**Wireless Outdoor Kit:**

HDS-OWK-300..... pg# 44



**Wireless Outdoor Module:**

HDS-OWRE-300..... pg# 44

To verify mount compatibility with any display or projector model use MountFinder™ at [peerless-av.com](http://peerless-av.com).



CALL: 630-375-5100  
800-865-2112



FAX: 630-820-8537  
800-359-6500



E-MAIL:  
[info@peerless-av.com](mailto:info@peerless-av.com)



ON-LINE:  
[peerless-av.com](http://peerless-av.com)



MODELS

Universal Models:

Includes theft resistant hardware for attaching display to socket pin

- EPMU-05** Black
- EPMU-05-S** Stone Gray
- EPMU-06** Black
- EPMU-06-S** Stone Gray
- EPMU-07** Black
- EPMU-07-S** Stone Gray
- EPMU-08** Black
- EPMU-08-S** Stone Gray

DISPLAY ADAPTOR

	<b>Mounting Pattern (W x H)</b>
	Universal Models: 721 x 449mm (28.39" x 17.67")
	<b>VESA® Pattern</b>
	Universal Models: Up to 600 x 400mm

SPECIFICATIONS

	<b>Distance from Base to Center of Display</b>
	EPMU-05(-S): 68.10" (1730mm)
	EPMU-06(-S): 80.10" (2035mm)
	EPMU-07(-S): 92.10" (2339mm)
	EPMU-08(-S): 104.10" (2644mm)
	<b>Tilt   Swivel</b>
	+15/-5°   360° (22° increments)
	<b>Fixed Tilt</b>
	-5°, 0°, 5°, 10°, 15°
	<b>Max Load</b>
	200lb (91kg)
	<b>Product Dimensions (H x W)</b>
	EPMU-05(-S): 77.52" x 30.75" (1969 x 781mm)
	EPMU-06(-S): 89.52" x 30.75" (2274 x 781mm)
	EPMU-07(-S): 101.52" x 30.75" (2579 x 781mm)
	EPMU-08(-S): 113.52" x 30.75" (2883 x 781mm)
	<b>Mounting Surfaces</b>
	Concrete
	<b>Ship Weight</b>
	EPMU-05(-S): 120lb (54.4kg)
	EPMU-06(-S): 130lb (59kg)
	EPMU-07(-S): 140lb (64kg)
	EPMU-08(-S): 150lb (68kg)

	<b>Product Dimensions (H x W)</b>
	EPMU-05(-S): 77.52" x 30.75" (1969 x 781mm)
	EPMU-06(-S): 89.52" x 30.75" (2274 x 781mm)
	EPMU-07(-S): 101.52" x 30.75" (2579 x 781mm)
	EPMU-08(-S): 113.52" x 30.75" (2883 x 781mm)
	<b>Mounting Surfaces</b>
	Concrete
	<b>Ship Weight</b>
	EPMU-05(-S): 120lb (54.4kg)
	EPMU-06(-S): 130lb (59kg)
	EPMU-07(-S): 140lb (64kg)
	EPMU-08(-S): 150lb (68kg)

CERTIFICATIONS



ACCESSORIES

- CL models:**  
Xtreme™ Outdoor Displays . pg# 10-11
- Wireless Outdoor Kit:**  
HDS-OWK-300..... pg# 44
- Wireless Outdoor Module:**  
HDS-OWRE-300..... pg# 44

# Wind Rated Tilt Pedestal Mount

For 32" to 65" Outdoor Displays

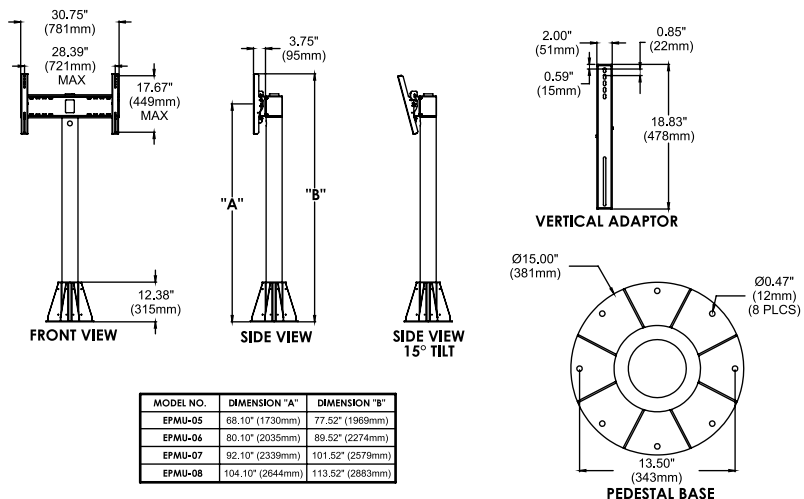
1. Wind rated up to 110mph when fixed tilt mechanism is engaged
2. Designed specifically for outdoor use and constructed from weatherproof materials
3. Easy tilt settings allow for the perfect viewing angle
4. Swivel feature allows for the display to face the necessary direction without adjusting the pedestal
5. 8ft column meets ADA requirements



Please visit [peerless-av.com/en-us/patents](http://peerless-av.com/en-us/patents) for patent information.

TECHNICAL DRAWINGS

For expanded product information and technical data visit [peerless-av.com](http://peerless-av.com)



To verify mount compatibility with any display or projector model use MountFinder™ at [peerless-av.com](http://peerless-av.com).



## *The Perfect Kiosk is Just Clicks Away*

- Slim footprint and profile
- Rear doors allow for easy access
- Internal component tray for storage

Your perfect kiosk is just clicks way with the Peerless-AV® KioskBuilder™. We'll guide you through a simple series of questions to turn your design into a reality. Our Partner Program guarantees you with top-of-the-line technology options from the best solution providers in the industry. So click away, then sit back, relax and let our experts take care of your kiosk needs.

**Build your kiosk today at [kiosks.peerless-av.com](http://kiosks.peerless-av.com)**

# We Ask. You Answer. KioskBuilder™ Does the Rest.



Every kiosk from Peerless-AV is customizable to fit your specific application. From cosmetic add-ons to a fully integrated solution delivered to your door, hand-select desired options using our online KioskBuilder™ application. The perfect kiosk is just clicks away. **Build your integrated kiosk at [kiosks.peerless-av.com](http://kiosks.peerless-av.com)**

## CUSTOM COLORS

Products come in standard gloss black or silver, but can be customized with antimicrobial black or white, or any color to match the application or décor.



## VINYL WRAPS

From a logo decal to a full graphic wrap, you have the option to envelop your kiosk with a semi-permanent branding or advertising statement.

## SCREEN PROTECTION

Safeguard delicate LED/LCD screens with protective tempered glass or light-weight acrylic. Select anti-reflective, scratch-resistant, UV-protected or other coatings to extend the life of your investment.



## AD PANELS

For stunning advertising that can be changed out seasonally or with ad programs, choose either a display-sized or full-sized ad panel with custom-interchangeable graphic inserts, finished with a clear acrylic cover.



## TECHNOLOGY INTEGRATION

With a dedicated clean assembly area and expert integrators onsite, each kiosk is outfitted with your choice of display, media player, touch technology, camera, software thermal management, and more. We provide only the level of service you require to produce and deliver what's best for your unique need. Contact Peerless-AV for more details.





**INDOOR KIOSKS**

**KIPC540/542/555(-S) Models**  
Portrait Kiosk  
Fits most 40", 42" and 55" Displays  
less than 3.00" (72mm) deep ..... pg# 26

**KIPC546/547/548/549/550(-S) Models**  
Portrait Kiosk  
Fits most 46", 47", 48", 49" and 50" Displays  
less than 3.00" (72mm) deep ..... pg# 27

**KIP540/542/546/547/548/555(-S) Models**  
Portrait Kiosk  
Fits most 40", 42", 46", 47", 48", 55" Displays  
up to 4" (101mm) Thick ..... pg# 28

**KIP540B/542B/546B/547B/548B/555B(-S) Models**  
Portrait Back-to-Back Kiosk  
Fits 40", 42", 46", 47", 48", 55" Ultra-Thin  
Displays up to 1.83" (46mm) Thick ..... pg# 29

**KIL540/542/546/547/555(-S) Models**  
Landscape Kiosk  
Fits most 40", 42", 46", 47" and 55" Displays  
Between 2.00" (50mm)  
and 3.24" (82mm) Thick ..... pg# 30

**KIL640/642/646/647/648/655(-S) Models**  
Wall Landscape Kiosk  
Fits 40", 42", 46", 47", 48", 55" Displays  
2.00" (50mm) Thick ..... pg# 31

**KIP640/642/646/647/648/655(-S) Models**  
Wall Portrait Kiosk  
Fits 40", 42", 46", 47", 48", 55" Displays  
2.00" (50mm) Thick ..... pg# 31

**KIL740/742/746/747/748/755(-S) Models**  
In-Wall Landscape Kiosk  
Fits 40", 42", 46", 47", 48", 55" Displays  
3.10" (78mm) Thick ..... pg# 32

**KIP740/742/746/747/748/755(-S) Models**  
In-Wall Portrait Kiosk  
Fits 40", 42", 46", 47", 48", 55" Displays  
3.10" (78mm) Thick ..... pg# 32

**KIP410I(-S)(-AW) Models**  
Desktop Kiosk for iPad® Tablets ..... pg# 33



**OUTDOOR KIOSKS**

**KOP549-XTR-1/-2/-3 Models**  
Xtreme™ Outdoor Digital Menu Board Kiosk  
Includes 49" Optically Bonded  
Peerless-AV® Xtreme™ Display(s) ..... pg# 34

**ACC-DTSLK/-DTRSK Models**  
**ACC-DTTP3 Model**  
Xtreme™ Outdoor Digital Menu Board  
Kiosk Graphics for KOP547-XTR-3,  
KOP547-XTR-2 and KOP547-XTR-1 ..... pg# 35

**KOP549(-S)-XTR/555(-S)-XTR Models**  
Xtreme™ Outdoor Portrait Kiosk  
Includes 49" or 55" Optically Bonded  
Peerless-AV® Xtreme™ Display ..... pg# 36

**KOP549B(-S)-XTR/555B(-S)-XTR Models**  
Xtreme™ Outdoor Portrait Back-to-Back Kiosk  
Includes (2) 49" or 55" Optically Bonded  
Peerless-AV® Xtreme™ Displays ..... pg# 37

**KOL549(-S)-XTR/555(-S)-XTR Models**  
Xtreme™ Outdoor Landscape Kiosk  
Includes 49" or 55" Optically Bonded  
Peerless-AV® Xtreme™ Display ..... pg# 38



**ENCLOSURES**

**FPE42F(H)-S/47F(H)-S/55F(H)-S Models**  
Indoor/Outdoor Protective Enclosures  
for 40" to 55" Displays up to 4" Deep ..... pg# 39

**FPEWM Model**  
Tilt Wall Mount  
for Peerless-AV® Outdoor Enclosures ..... pg# 40

**FPECMC-01/-02/-03/-04 Models**  
Tilt Ceiling Mount – Concrete  
for Peerless-AV® Outdoor Enclosures ..... pg# 40

**FPECM1-01/-02/-03/-04 Models**  
Tilt Ceiling Mount – I-Beam  
for Peerless-AV® Outdoor Enclosures ..... pg# 40

**FPEPM-05/-06/-08 Models**  
Pedestal Mount  
for Peerless-AV® Outdoor Enclosures ..... pg# 40



CALL: 630-375-5100  
800-865-2112



FAX: 630-820-8537  
800-359-6500



E-MAIL:  
info@peerless-av.com



ONLINE:  
peerless-av.com



MODELS

Universal Models:

For displays up to 3" (72mm) thick

<b>KIPC540</b>	40" Displays	Gloss black
<b>KIPC540-S</b>	40" Displays	Silver
<b>KIPC542</b>	42" Displays	Gloss black
<b>KIPC542-S</b>	42" Displays	Silver
<b>KIPC555</b>	55" Displays	Gloss black
<b>KIPC555-S</b>	55" Displays	Silver

SPECIFICATIONS



Max Load

75lb (34kg)

Product Dimensions (W x H x D)

<b>KIPC540/542 models:</b>	32.00" x 75.33" x 19.00" (813 x 1913 x 483mm)
<b>KIPC555 models:</b>	39.00" x 81.00" x 21.00" (991 x 2057 x 533mm)

Storage Space (W x H x D)

<b>KIPC540/542 models:</b>	25.00" x 16.00" x 2.50" (635 x 406 x 6.3mm)
<b>KIPC/555 models:</b>	30.00" x 16.50" x 2.50" (762 x 419 x 6.3mm)

Mounting Surfaces

Flat solid floor surfaces

Ship Weight

<b>KIPC540(-S):</b>	188lb (85kg)
<b>KIPC542(-S):</b>	187lb (85kg)
<b>KIPC555(-S):</b>	217lb (98kg)

CERTIFICATIONS



ACCESSORIES

Custom Kiosk Accessories:

- Adaptor rail for deeper displays
- HDMI and Component Video Cables
- Tripp Lite UPS Battery Back Up System
- Stereo Speaker System with Amplifier
- Honeywell Bar Code Readers
- Magstripe Readers
- Omnikey Proximity Sensors
- Logitech Webcameras
- Receipt Printers
- Keypads/Pinpads and Keyboards
- Telephone Handsets
- Wireless Kits
- Media Players
- Brochure Holders
- Cling Graphics
- Adhesive Logos and Graphics



**KioskBuilder™:**  
Build your own Integrated Kiosk @  
kiosks.peerless-av.com



**Antimicrobial Protection:**  
Agion® antimicrobial\* finish  
available to assist in controlling  
the spread of infections

Contact Peerless-AV Customer Care  
for more information.

\*Antimicrobial protection is limited to the treated article and does not protect a user against disease causing bacteria. Always clean products thoroughly after each use.

# Portrait Kiosk

Fits most 40", 42" and 55" Displays less than 3.00" (72mm) deep

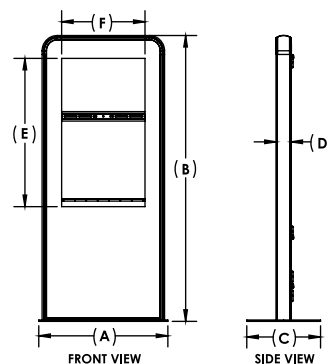
1. Architectural aluminum and steel kiosk with 3/8" steel oval base plate provides stability, strength and corrosion-resistance for any indoor environment
2. High-performance, premium powdercoat finish protects the unit and extends the product lifespan for years
3. Two 25CFM (25db) thermostat fans quietly exhaust heat
4. Six outlet, UL- and cUL-approved surge suppressor with 6' cord to protect voltage-sensitive components from damaging power surges
5. Internal micro-adjustments allow for quick positioning of display within the kiosk window for flush alignment
6. Combination locks on back bi-level doors allow access only to parts requiring maintenance, with no threat of lost keys
7. Internal component tray store media player and cables neatly for a professional finish
8. Stand-alone or fully integrated with display, audio components, media player and input components
9. Supports a wide range of aesthetic options, including multiple colors and vinyl wraps, to match any branding strategy
10. Pre-assembled to simplify installation of entire solution



Please visit [peerless-av.com/en-us/patents](http://peerless-av.com/en-us/patents) for patent information.

TECHNICAL DRAWINGS

For expanded product information and technical data visit [peerless-av.com](http://peerless-av.com)



MODEL NO.	DIMENSION "A"	DIMENSION "B"	DIMENSION "C"	DIMENSION "D"	DIMENSION "E"	DIMENSION "F"
<b>KIPC540</b>	32.00" (813mm)	75.33" (1913mm)	19.00" (483mm)	4.00" (102mm)	34.97" (888mm)	19.67" (500mm)
<b>KIPC542</b>	32.00" (813mm)	75.33" (1913mm)	19.00" (483mm)	4.00" (102mm)	36.72" (933mm)	20.65" (525mm)
<b>KIPC555</b>	39.00" (991mm)	81.00" (2057mm)	21.00" (533mm)	4.00" (102mm)	48.05" (1220mm)	27.03" (687mm)

To verify mount compatibility with any display or projector model use MountFinder™ at [peerless-av.com](http://peerless-av.com).



CALL: 630-375-5100  
800-865-2112



FAX: 630-820-8537  
800-359-6500



E-MAIL:  
[info@peerless-av.com](mailto:info@peerless-av.com)



ON-LINE:  
[peerless-av.com](http://peerless-av.com)



# Portrait Kiosk

Fits most 46", 47", 48", 49" and 50" Displays  
less than 3.00" (72mm) deep

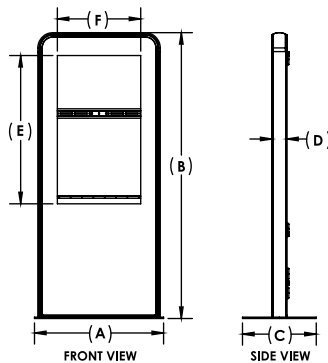
1. Architectural aluminum and steel kiosk with 3/8" steel oval base plate provides stability, strength and corrosion-resistance for any indoor environment
2. High-performance, premium powdercoat finish protects the unit and extends the product lifespan for years
3. Two 25CFM (25db) thermostat fans quietly exhaust heat
4. Six outlet, UL- and cUL-approved surge suppressor with 6' cord to protect voltage-sensitive components from damaging power surges
5. Internal micro-adjustments allow for quick positioning of display within the kiosk window for flush alignment
6. Combination locks on back bi-level doors allow access only to parts requiring maintenance, with no threat of lost keys
7. Internal component tray store media player and cables neatly for a professional finish
8. Stand-alone or fully integrated with display, audio components, media player and input components
9. Supports a wide range of aesthetic options, including multiple colors and vinyl wraps, to match any branding strategy
10. Pre-assembled to simplify installation of entire solution



Please visit [peerless-av.com/en-us/patents](http://peerless-av.com/en-us/patents) for patent information.

For expanded product information and technical data visit [peerless-av.com](http://peerless-av.com)

## TECHNICAL DRAWINGS



MODEL NO.	DIMENSION "A"	DIMENSION "B"	DIMENSION "C"	DIMENSION "D"	DIMENSION "E"	DIMENSION "F"
KIPC546	35.00" (889mm)	77.51" (1969mm)	20.00" (508mm)	4.00" (102mm)	40.20" (1021mm)	22.61" (574mm)
KIPC547	35.00" (889mm)	77.51" (1969mm)	20.00" (508mm)	4.00" (102mm)	41.07" (1043mm)	23.10" (587mm)
KIPC548	35.00" (889mm)	77.51" (1969mm)	20.00" (508mm)	4.00" (102mm)	41.94" (1065mm)	23.59" (599mm)
KIPC549	35.00" (889mm)	77.51" (1969mm)	20.00" (508mm)	4.00" (102mm)	42.82" (1088mm)	24.08" (612mm)
KIPC550	35.00" (889mm)	77.51" (1969mm)	20.00" (508mm)	4.00" (102mm)	43.69" (1110mm)	24.57" (624mm)

## KIOSKS & ENCLOSURES



INDOOR  
KIOSKS

## MODELS

### Universal Models:

For displays up to 3" (72mm) thick

<b>KIPC546</b>	46" Displays	Gloss black
<b>KIPC546-S</b>	46" Displays	Silver
<b>KIPC547</b>	47" Displays	Gloss black
<b>KIPC547-S</b>	47" Displays	Silver
<b>KIPC548</b>	48" Displays	Gloss black
<b>KIPC548-S</b>	48" Displays	Silver
<b>KIPC549</b>	49" Displays	Gloss black
<b>KIPC549-S</b>	49" Displays	Silver
<b>KIPC550</b>	50" Displays	Gloss black
<b>KIPC550-S</b>	50" Displays	Silver

## SPECIFICATIONS



### Max Load

75lb (34kg)

### Product Dimensions (W x H x D)

35.00" x 77.51" x 20.00"  
(889 x 1969 x 508mm)

### Storage Space (W x H x D)

28.00" x 13.00" x 2.50"  
(711 x 330 x 63mm)

### Mounting Surfaces

Flat solid floor surfaces

### Ship Weight

KIPC546(-S):	202lb (92kg)
KIPC547(-S):	201lb (91kg)
KIPC548(-S):	200lb (91kg)
KIPC549(-S):	200lb (91kg)
KIPC550(-S):	199lb (90kg)

## CERTIFICATIONS



RoHS

## ACCESSORIES

### Custom Kiosk

#### Accessories:

Adaptor rail for deeper displays  
HDMI and Component Video Cables  
Tripp Lite UPS Battery Back Up System  
Stereo Speaker System with Amplifier  
Honeywell Bar Code Readers  
Magstripe Readers  
Omnikey Proximity Sensors  
Logitech Webcams  
Receipt Printers  
Keypads/Pinpads and Keyboards  
Telephone Handsets  
Wireless Kits  
Media Players  
Brochure Holders  
Cling Graphics  
Adhesive Logos and Graphics



### KioskBuilder™:

Build your own Integrated Kiosk @ [kiosks.peerless-av.com](http://kiosks.peerless-av.com)



**Antimicrobial Protection:**  
Agion™ antimicrobial\* finish available to assist in controlling the spread of infections

Contact Peerless-AV Customer Care for more information.

To verify mount compatibility with any display or projector model use MountFinder™ at [peerless-av.com](http://peerless-av.com).



CALL: 630-375-5100  
800-865-2112



FAX: 630-820-8537  
800-359-6500



E-MAIL:  
[info@peerless-av.com](mailto:info@peerless-av.com)



ON-LINE:  
[peerless-av.com](http://peerless-av.com)

\*Antimicrobial protection is limited to the treated article and does not protect a user against disease causing bacteria. Always clean products thoroughly after each use.



MODELS

Universal Models:

For displays up to 4" (101mm) thick

<b>KIP540</b>	40" Displays	Gloss black
<b>KIP540-S</b>	40" Displays	Silver
<b>KIP542</b>	42" Displays	Gloss black
<b>KIP542-S</b>	42" Displays	Silver
<b>KIP546</b>	46" Displays	Gloss black
<b>KIP546-S</b>	46" Displays	Silver
<b>KIP547</b>	47" Displays	Gloss black
<b>KIP547-S</b>	47" Displays	Silver
<b>KIP548</b>	48" Displays	Gloss black
<b>KIP548-S</b>	48" Displays	Silver
<b>KIP555</b>	55" Displays	Gloss black
<b>KIP555-S</b>	55" Displays	Silver

DISPLAY ADAPTOR



VESA® Pattern

Universal Models: 200 x 200 up to 800 x 400mm

SPECIFICATIONS



Max Load

75lb (34kg)

Product Dimensions (W x H x D)

<b>KIP540/542 models:</b>	28.00" x 72.12" x 20.50" (711 x 1832 x 521mm)
<b>KIP546/547/548 models:</b>	34.00" x 72.12" x 20.50" (864 x 1832 x 521mm)
<b>KIP555 models:</b>	34.00" x 78.12" x 20.50" (864 x 1984 x 521mm)

Storage Space (W x H x D)

<b>KIP540/542 models:</b>	27.00" x 15.00" x 5.50" (686 x 381 x 140mm)
<b>KIP546/547/548/555 models:</b>	31.00" x 15.00" x 5.50" (787 x 381 x 140mm)

Mounting Surfaces

Flat solid floor surfaces

Ship Weight

<b>KIP540/542 models:</b>	212lb (96kg)
<b>KIP546/547/548 models:</b>	228lb (103kg)
<b>KIP555 models:</b>	244lb (111kg)

CERTIFICATIONS



RoHS

ACCESSORIES

- PVP1100-CPL6:** Surge Protector with Six Outlets ..... pg# 234
- CL-SCG200:** Screen Cleaning Gel



**KioskBuilder™:**  
Build your own Integrated Kiosk @  
kiosks.peerless-av.com



**Antimicrobial Protection:**  
Agion® antimicrobial\* finish  
available to assist in controlling  
the spread of infections

Contact Peerless-AV Customer Care  
for more information.

\*Antimicrobial protection is limited to the treated article and does not protect a user  
against disease causing bacteria. Always clean products thoroughly after each use.

# Portrait Kiosk

Fits Most 40", 42", 46", 47", 48", 55" Displays  
up to 4" (101mm) Thick

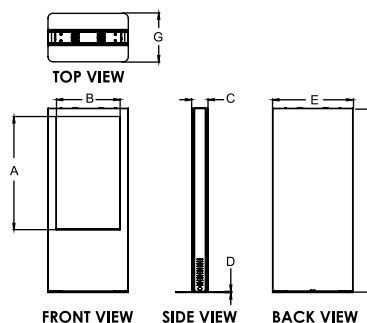
1. Eight-way adjustment to quickly position the display within the kiosk window for a flush alignment
2. Accommodates ultra-thin or deeper commercial displays up to 4" (101mm) thick, while accentuating the slim kiosk design
3. Thermostat controlled circulation fans ensure proper airflow within the kiosk
4. Secured front and back doors allow for convenient access to the display, media player and other internal components for easy installation and maintenance
5. Stand-alone kiosk enclosure or fully integrated with display, media player, power and thermal management, etc.
6. Supports a wide range of aesthetic options including glass/acrylic, multiple colors, vinyl wraps, etc. to best match the environment or promote brand strategy
7. Pre-assembled to simplify installation of the entire solution
8. Custom sizes available for smaller and larger displays



Please visit [peerless-av.com/en-us/patents](http://peerless-av.com/en-us/patents) for patent information.

TECHNICAL DRAWINGS

For expanded product information and technical data visit [peerless-av.com](http://peerless-av.com)



MODEL NO.	DIMENSION "A"	DIMENSION "B"	DIMENSION "C"	DIMENSION "D"	DIMENSION "E"	DIMENSION "F"	DIMENSION "G"
<b>KIP540</b>	34.97"(888mm)	19.67"(500mm)	6.80"(173 mm)	.38"(10mm)	28.00"(711 mm)	72.12"(1832mm)	20.50"(521mm)
<b>KIP542</b>	36.72"(933mm)	20.65"(525mm)	6.80"(173 mm)	.38"(10mm)	28.00"(711 mm)	72.12"(1832mm)	20.50"(521mm)
<b>KIP546</b>	40.20"(1021mm)	22.61"(574mm)	6.80"(173 mm)	.38"(10mm)	34.00"(864mm)	72.12"(1832mm)	20.50"(521mm)
<b>KIP547</b>	41.07"(1043mm)	23.10"(587mm)	6.80"(173 mm)	.38"(10mm)	34.00"(864mm)	72.12"(1832mm)	20.50"(521mm)
<b>KIP548</b>	41.94"(1065mm)	23.59"(599mm)	6.80"(173 mm)	.38"(10mm)	34.00"(864mm)	72.12"(1832mm)	20.50"(521mm)
<b>KIP555</b>	48.05"(1220mm)	27.03"(686mm)	6.80"(173 mm)	.38"(10mm)	34.00"(864mm)	78.12"(1984mm)	20.50"(521mm)

To verify mount compatibility with any display or projector model use MountFinder™ at [peerless-av.com](http://peerless-av.com).

# Portrait Back-to-Back Kiosk

Fits 40", 42", 46", 47", 48", 55" Ultra-Thin Displays up to 1.83" (46mm) Thick

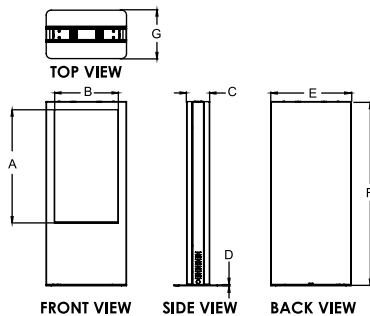
1. Eight-way adjustment to quickly position the display within the kiosk window for a flush alignment
2. Accommodates ultra-thin displays up to 1.83" (46mm) thick to accentuate the slim kiosk design
3. Thermostat controlled circulation fans ensure proper airflow within the kiosk
4. Secured doors allow convenient access to the display, media player and other internal components for easy installation and maintenance
5. Stand-alone kiosk enclosure or fully integrated with display, media player, power and thermal management, etc.
6. Supports a wide range of aesthetic options including glass/acrylic, multiple colors, vinyl wraps, etc. to best match environment or promote brand strategy
7. Pre-assembled to simplify installation of the entire solution
8. Standard kiosk enclosures available for thicker displays up to 3" deep



Please visit [peerless-av.com/en-us/patents](http://peerless-av.com/en-us/patents) for patent information.

For expanded product information and technical data visit [peerless-av.com](http://peerless-av.com)

## TECHNICAL DRAWINGS



MODEL NO.	DIMENSION "A"	DIMENSION "B"	DIMENSION "C"	DIMENSION "D"	DIMENSION "E"	DIMENSION "F"	DIMENSION "G"
KIP540B	34.97" (888mm)	19.67" (500mm)	6.80" (173 mm)	.38" (10mm)	28.00" (711mm)	72.12" (1832mm)	20.50" (521mm)
KIP542B	36.72" (933mm)	20.65" (525mm)	6.80" (173 mm)	.38" (10mm)	28.00" (711mm)	72.12" (1832mm)	20.50" (521mm)
KIP546B	40.20" (1021mm)	22.61" (574mm)	6.80" (173 mm)	.38" (10mm)	34.00" (864mm)	72.12" (1832mm)	20.50" (521mm)
KIP547B	41.07" (1043mm)	23.10" (587mm)	6.80" (173 mm)	.38" (10mm)	34.00" (864mm)	72.12" (1832mm)	20.50" (521mm)
KIP548B	41.94" (1065mm)	23.59" (599mm)	6.80" (173 mm)	.38" (10mm)	34.00" (864mm)	72.12" (1832mm)	20.50" (521mm)
KIP555B	48.05" (1220mm)	27.03" (686mm)	6.80" (173 mm)	.38" (10mm)	34.00" (864mm)	78.12" (1984mm)	20.50" (521mm)



## MODELS

### Universal Models:

For displays up to 1.83" (46mm) thick

<b>KIP540B</b>	40" Displays	Gloss black
<b>KIP540B-S</b>	40" Displays	Silver
<b>KIP542B</b>	42" Displays	Gloss black
<b>KIP542B-S</b>	42" Displays	Silver
<b>KIP546B</b>	46" Displays	Gloss black
<b>KIP546B-S</b>	46" Displays	Silver
<b>KIP547B</b>	47" Displays	Gloss black
<b>KIP547B-S</b>	47" Displays	Silver
<b>KIP548B</b>	48" Displays	Gloss black
<b>KIP548B-S</b>	48" Displays	Silver
<b>KIP555B</b>	55" Displays	Gloss black
<b>KIP555B-S</b>	55" Displays	Silver

## DISPLAY ADAPTOR



### VESA® Pattern

Universal Models: 200 x 200 up to 800 x 400mm

## SPECIFICATIONS



### Max Load

150lb (68kg)

### Product Dimensions (W x H x D)

<b>KIP540B/542B models:</b>	28.00" x 72.12" x 20.50" (711 x 1832 x 521mm)
<b>KIP546B/547B/548B models:</b>	34.00" x 72.12" x 20.50" (864 x 1832 x 521mm)
<b>KIP555B models:</b>	34.00" x 78.12" x 20.50" (864 x 1984 x 521mm)

### Storage Space (W x H x D)

<b>KIP540B/542B models:</b>	27.00" x 15.00" x 5.50" (686 x 381 x 140mm)
<b>KIP546B/547B/548B/555B models:</b>	31.00" x 15.00" x 5.50" (787 x 381 x 140mm)

### Mounting Surfaces

Flat solid floor surfaces

### Ship Weight

<b>KIP540B/542B models:</b>	200lb (90kg)
<b>KIP546B/547B/548B models:</b>	212lb (96kg)
<b>KIP555B models:</b>	222lb (101kg)

## CERTIFICATIONS



**RoHS**  
2002/95/EC

## ACCESSORIES

- PVP1100-CPL6:** Surge Protector with Six Outlets ..... pg# 234
- CL-SCG200:** Screen Cleaning Gel



**KioskBuilder™:**  
Build your own Integrated Kiosk @ [kiosks.peerless-av.com](http://kiosks.peerless-av.com)



**Antimicrobial Protection:**  
Agion® antimicrobial\* finish available to assist in controlling the spread of infections

Contact Peerless-AV Customer Care for more information.

To verify mount compatibility with any display or projector model use MountFinder™ at [peerless-av.com](http://peerless-av.com).



CALL: 630-375-5100  
800-865-2112



FAX: 630-820-8537  
800-359-6500



E-MAIL:  
[info@peerless-av.com](mailto:info@peerless-av.com)



ON-LINE:  
[peerless-av.com](http://peerless-av.com)

\*Antimicrobial protection is limited to the treated article and does not protect a user against disease causing bacteria. Always clean products thoroughly after each use.



MODELS

Universal Models:

For displays between 2.00" (50mm) and 3.24" (82mm) thick

<b>KIL540</b>	40" Displays	Gloss black
<b>KIL540-S</b>	40" Displays	Silver
<b>KIL542</b>	42" Displays	Gloss black
<b>KIL542-S</b>	42" Displays	Silver
<b>KIL546</b>	46" Displays	Gloss black
<b>KIL546-S</b>	46" Displays	Silver
<b>KIL547</b>	47" Displays	Gloss black
<b>KIL547-S</b>	47" Displays	Silver
<b>KIL555</b>	55" Displays	Gloss black
<b>KIL555-S</b>	55" Displays	Silver

DISPLAY ADAPTOR



VESA® Pattern

Universal Models: 200 x 200 up to 600 x 400mm

SPECIFICATIONS



Max Load

75lb (34kg)

Product Dimensions (W x H x D)

<b>KIL540/542 models:</b>	43.50" x 54.35" x 20.50" (1105 x 1380 x 521mm)
<b>KIL546/547 models:</b>	47.00" x 55.08" x 20.50" (1194 x 1399 x 521mm)
<b>KIL555 models:</b>	53.80" x 57.10" x 26.00" (1366 x 1450 x 660mm)

Storage Space (W x H x D)

27.00" x 15.00" x 5.50"  
(686 x 381 x 140mm)

Mounting Surfaces

Flat solid floor surfaces

Ship Weight

<b>KIL540/542 models:</b>	199lb (90kg)
<b>KIL546/547 models:</b>	219lb (99kg)
<b>KIL555 models:</b>	260lb (118kg)

CERTIFICATIONS



ACCESSORIES

**PVP1100-CPL6:** Surge Protector with Six Outlets ..... pg# 234

**CL-SCG200:** Screen Cleaning Gel



**KioskBuilder™.**  
Build your own Integrated Kiosk @  
kiosks.peerless-av.com



**Antimicrobial Protection:**  
Agion® antimicrobial\* finish  
available to assist in controlling  
the spread of infections

Contact Peerless-AV Customer Care  
for more information.

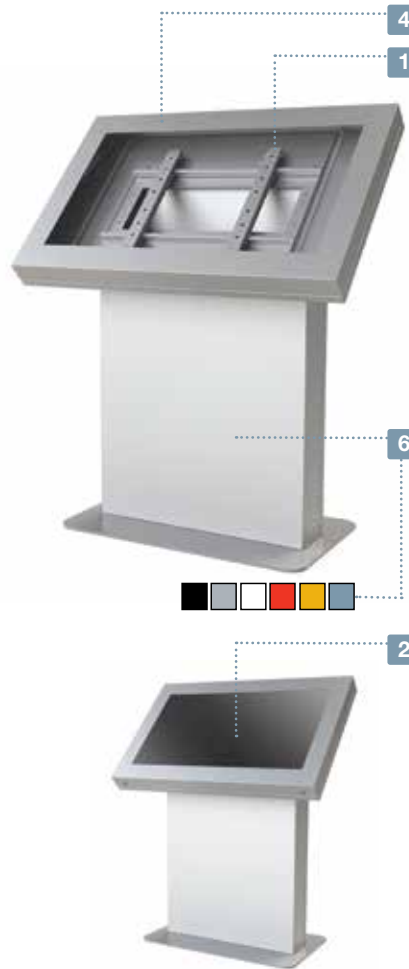
\*Antimicrobial protection is limited to the treated article and does not protect a user against disease causing bacteria. Always clean products thoroughly after each use.

# Landscape Kiosk

Fits most 40", 42", 46", 47", 55" Displays

Between 2.00" (50mm) and 3.24" (82mm) Thick

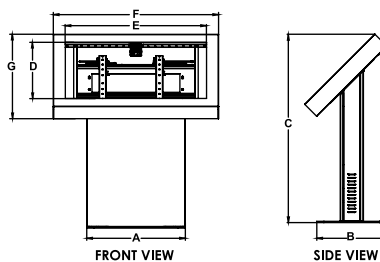
- Eight-way tool-less adjustment to quickly position display in kiosk window for flush alignment
- Accommodates displays between 2.00" (50mm) and 3.24" (82mm) thick to accentuate the slim aesthetics
- Thermostat controlled circulation fans ensure proper airflow within the kiosk
- Hinged top frame offers easy access to the display and other internal components for easy maintenance and enhanced security
- Stand-alone kiosk enclosure or fully integrated with display, media player, power and thermal management, etc.
- Supports a wide range of aesthetic options including glass/acrylic, multiple colors, vinyl wraps, etc. to best match the environment or promote brand strategy
- Pre-assembled to simplify installation of the entire solution
- Custom sizes available for smaller and larger displays



Please visit [peerless-av.com/en-us/patents](http://peerless-av.com/en-us/patents) for patent information.

TECHNICAL DRAWINGS

For expanded product information and technical data visit [peerless-av.com](http://peerless-av.com)



MODEL NO.	DIMENSION "A"	DIMENSION "B"	DIMENSION "C"	DIMENSION "D"	DIMENSION "E"	DIMENSION "F"	DIMENSION "G"
<b>KIL540</b>	28.00" (711mm)	20.50" (521mm)	54.35" (1380mm)	19.67" (500mm)	34.97" (888mm)	43.50" (1105mm)	27.00" (686mm)
<b>KIL542</b>	28.00" (711mm)	20.50" (521mm)	54.35" (1380mm)	20.65" (525mm)	36.72" (933mm)	43.50" (1105mm)	27.00" (686mm)
<b>KIL546</b>	28.00" (711mm)	20.50" (521mm)	55.08" (1399mm)	22.61" (574mm)	40.20" (1021mm)	47.00" (1194mm)	29.00" (737mm)
<b>KIL547</b>	28.00" (711mm)	20.50" (521mm)	55.08" (1399mm)	23.10" (587mm)	41.07" (1043mm)	47.00" (1194mm)	29.00" (737mm)
<b>KIL555</b>	28.00" (711mm)	20.50" (521mm)	54.70" (1389mm)	27.03" (686mm)	48.05" (1220mm)	53.00" (1346mm)	32.00" (812mm)

To verify mount compatibility with any display or projector model use MountFinder™ at [peerless-av.com](http://peerless-av.com).



CALL: 630-375-5100  
800-865-2112



FAX: 630-820-8537  
800-359-6500



E-MAIL: [info@peerless-av.com](mailto:info@peerless-av.com)

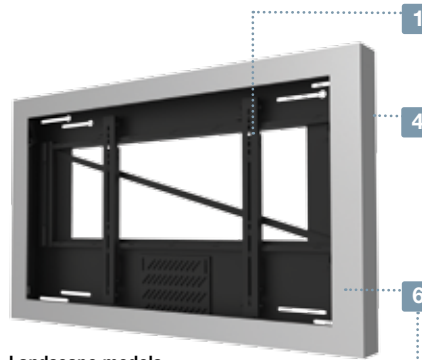


ON-LINE: [peerless-av.com](http://peerless-av.com)

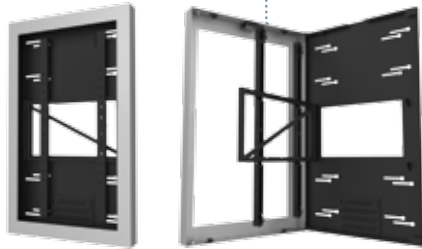
# Wall Kiosk

Fits 40", 42", 46", 47", 48", 55" Displays 2.00" (50mm) Thick

1. Eight-way tool-less adjustment to quickly position display in kiosk window for flush alignment
2. Accommodates displays 2.00" (50mm) thick to accentuate the slim kiosk design
3. Thermostat controlled circulation fans ensure proper airflow within the kiosk
4. Low profile design extends 3.97" (101mm) away from the wall which meets the Americans with Disabilities Act (ADA) certification
5. Hinged top frame offers easy access to the display and other internal components for easy maintenance and enhanced security
6. Supports wide range of aesthetic options including glass/acrylic, multiple colors, vinyl wraps, etc. to best match environment or promote brand strategy
7. Stand-alone kiosk enclosure or fully integrated with display, media player, power and thermal management, etc.
8. Pre-assembled to simplify installation of the entire solution
9. Custom sizes available for smaller and larger displays



Landscape models

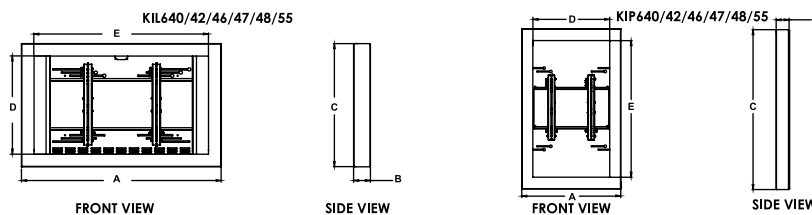


Portrait models

Please visit [peerless-av.com/en-us/patents](http://peerless-av.com/en-us/patents) for patent information.

For expanded product information and technical data visit [peerless-av.com](http://peerless-av.com)

## TECHNICAL DRAWINGS



MODEL NO.	DIMENSION "A"	DIMENSION "B"	DIMENSION "C"	DIMENSION "D"	DIMENSION "E"
KIL640	43.50" (1105mm)	3.97" (101mm)	27.00" (686mm)	19.67" (500mm)	34.97" (888mm)
KIL642	43.50" (1105mm)	3.97" (101mm)	27.00" (686mm)	20.65" (525mm)	36.72" (933mm)
KIL646	48.00" (1219mm)	3.97" (101mm)	29.00" (737mm)	22.61" (574mm)	40.20" (1021mm)
KIL647	48.00" (1219mm)	3.97" (101mm)	29.00" (737mm)	23.10" (587mm)	41.07" (1043mm)
KIL648	48.00" (1219mm)	3.97" (101mm)	29.00" (737mm)	23.59" (599mm)	41.94" (1065mm)
KIL655	56.00" (1422mm)	3.97" (101mm)	34.01" (866mm)	27.03" (686mm)	48.05" (1220mm)

MODEL NO.	DIMENSION "A"	DIMENSION "B"	DIMENSION "C"	DIMENSION "D"	DIMENSION "E"
KIP640	27.00" (686mm)	3.97" (101mm)	43.50" (1105mm)	19.67" (500mm)	34.97" (888mm)
KIP642	27.00" (686mm)	3.97" (101mm)	43.50" (1105mm)	20.65" (525mm)	36.72" (933mm)
KIP646	29.00" (737mm)	3.97" (101mm)	48.00" (1219mm)	22.61" (574mm)	40.20" (1021mm)
KIP647	29.00" (737mm)	3.97" (101mm)	48.00" (1219mm)	23.10" (587mm)	41.07" (1043mm)
KIP648	29.00" (737mm)	3.97" (101mm)	48.00" (1219mm)	23.59" (599mm)	41.94" (1065mm)
KIP655	34.01" (866mm)	3.97" (101mm)	56.00" (1422mm)	27.03" (686mm)	48.05" (1220mm)

To verify mount compatibility with any display or projector model use MountFinder™ at [peerless-av.com](http://peerless-av.com).

CALL: 630-375-5100 800-865-2112 FAX: 630-820-8537 800-359-6500 E-MAIL: info@peerless-av.com ON-LINE: peerless-av.com



## MODELS

### Universal Models:

For displays 2.00" (50mm) thick

Landscape models:

<b>KIL640(-S)</b>	40" Displays	Gloss black/Silver
<b>KIL642(-S)</b>	42" Displays	Gloss black/Silver
<b>KIL646(-S)</b>	46" Displays	Gloss black/Silver
<b>KIL647(-S)</b>	47" Displays	Gloss black/Silver
<b>KIL648(-S)</b>	48" Displays	Gloss black/Silver
<b>KIL655(-S)</b>	55" Displays	Gloss black/Silver

Portrait models:

<b>KIP640(-S)</b>	40" Displays	Gloss black/Silver
<b>KIP642(-S)</b>	42" Displays	Gloss black/Silver
<b>KIP646(-S)</b>	46" Displays	Gloss black/Silver
<b>KIP647(-S)</b>	47" Displays	Gloss black/Silver
<b>KIP648(-S)</b>	48" Displays	Gloss black/Silver
<b>KIP655(-S)</b>	55" Displays	Gloss black/Silver

## DISPLAY ADAPTOR



### VESA® Pattern

Universal Models: 200 x 200 up to 600 x 400mm

## SPECIFICATIONS



### Distance from Wall

3.97" (101mm)



### Max Load

75lb (34kg)

### Product Dimensions (W x H x D)

KIL640/642 models:	43.50" x 27.00" x 3.97" (1105 x 686 x 101mm)
KIP640/642 models:	27.00" x 43.50" x 3.97" (686 x 1105 x 101mm)
KIL646/647/648 models:	48.00" x 29.00" x 3.97" (1219 x 737 x 101mm)
KIP646/647/648 models:	29.00" x 48.00" x 3.97" (737 x 1219 x 101mm)
KIL655 models:	56.00" x 34.01" x 3.97" (1422 x 866 x 101mm)
KIP655 models:	34.01" x 56.00" x 3.97" (866 x 1422 x 101mm)

### Storage Space (W x H x D)

1.56"-2.30" (40-58mm)

### Mounting Surfaces

Wood stud, concrete, cinder block and metal stud (Metal stud accessory required)

### Ship Weight

KIL/KIP640/642 models:	85lb (39kg)
KIL/KIP646/647/648 models:	95lb (43kg)
KIL/KIP655 models:	105lb (48kg)

## CERTIFICATIONS



RoHS

## ACCESSORIES

- ACC415:** 4-pack Metal Stud Fastener Kit .... pg# 234
- PVP1100-CPL6:** Surge Protector with Six Outlets .... pg# 234
- CL-SCG200:** Screen Cleaning Gel
- IBA4-W:** Easy Mount Recessed Low Voltage Cable Plate ..... pg# 227
- IBA5-W:** Recessed Low Voltage Media Plate with Duplex Surge Suppressor ..... pg# 227



### KioskBuilder™:

Build your own integrated Kiosk @ [kiosks.peerless-av.com](http://kiosks.peerless-av.com)



### Antimicrobial Protection:

Agion® antimicrobial\* finish available to assist in controlling the spread of infections

Contact Peerless-AV Customer Care for more information.

\*Antimicrobial protection is limited to the treated article and does not protect a user against disease causing bacteria. Always clean products thoroughly after each use.



INDOOR KIOSKS

# In-Wall Kiosk

Fits 40", 42", 46", 47", 48", 55" Displays 3.10" (78mm) Thick

## MODELS

### Universal Models:

For displays between 3.10" (78mm) thick

Landscape models:

<b>KIL740(-S)</b>	40" Displays	Gloss black/Silver
<b>KIL742(-S)</b>	42" Displays	Gloss black/Silver
<b>KIL746(-S)</b>	46" Displays	Gloss black/Silver
<b>KIL747(-S)</b>	47" Displays	Gloss black/Silver
<b>KIL748(-S)</b>	48" Displays	Gloss black/Silver
<b>KIL755(-S)</b>	55" Displays	Gloss black/Silver

Portrait models:

<b>KIP740(-S)</b>	40" Displays	Gloss black/Silver
<b>KIP742(-S)</b>	42" Displays	Gloss black/Silver
<b>KIP746(-S)</b>	46" Displays	Gloss black/Silver
<b>KIP747(-S)</b>	47" Displays	Gloss black/Silver
<b>KIP748(-S)</b>	48" Displays	Gloss black/Silver
<b>KIP755(-S)</b>	55" Displays	Gloss black/Silver

## DISPLAY ADAPTOR



### VESA® Pattern

Universal Models: 200 x 200 up to 600 x 400mm

## SPECIFICATIONS



### Distance from Wall

1" (25mm)



### Max Load

75lb (34kg)

### Product Dimensions (W x H x D)

<b>KIL740/742 models:</b>	45.41" x 28.91" x 5.15" (1153 x 734 x 131mm)
<b>KIP740/742 models:</b>	28.91" x 45.41" x 5.15" (734 x 1153 x 131mm)
<b>KIL746/747/748 models:</b>	50.40" x 31.85" x 5.15" (1280 x 809 x 131mm)
<b>KIP746/747/748 models:</b>	31.85" x 50.40" x 5.15" (809 x 1280 x 131mm)
<b>KIL755 models:</b>	57.90" x 35.35" x 5.15" (1471 x 898 x 131mm)
<b>KIP755 models:</b>	35.35" x 57.90" x 5.15" (898 x 1471 x 131mm)

### Storage Space (W x H x D)

1.56"-2.30" (40-58mm)

### Mounting Surfaces

Wood stud and metal stud

### Ship Weight

<b>KIL/KIP740/742 models:</b>	90lb (41kg)
<b>KIL/KIP746/747/748 models:</b>	100lb (45kg)
<b>KIL/KIP755 models:</b>	110lb (50kg)

## CERTIFICATIONS



## ACCESSORIES

**PVP1100-CPL6:** Surge Protector with Six Outlets ... pg# 234

**CL-SCG200:** Screen Cleaning Gel

**IBA4-W:** Easy Mount Recessed Low Voltage Cable Plate ..... pg# 227

**IBA5-W:** Recessed Low Voltage Media Plate with Duplex Surge Suppressor..... pg# 227



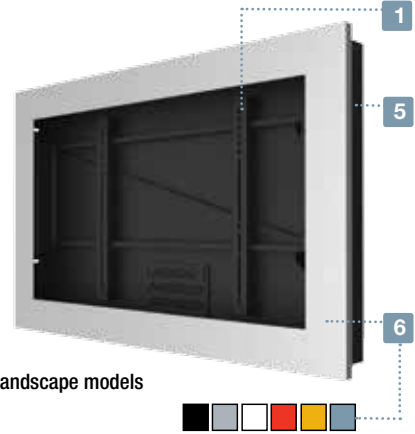
**KioskBuilder™:**  
Build your own Integrated Kiosk @  
kiosks.peerless-av.com



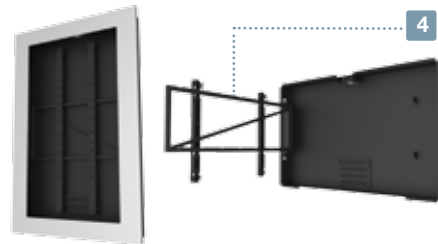
**Antimicrobial Protection:**  
Agion® antimicrobial\* finish available to assist in controlling the spread of infections

Contact Peerless-AV Customer Care for more information.

- Eight-way tool-less adjustment to quickly position display in kiosk window for flush alignment
- Accommodates displays 3.10" (78mm) thick while still fitting within standard wood stud walls
- Thermostat controlled circulation fans ensure proper airflow within the kiosk
- Removable front cover and pull-out mount offers easy access to the display and other internal components for easy maintenance and enhanced security
- Low-profile design extends 1" (25mm) away from the wall which meets the Americans with Disabilities Act (ADA) certification
- Supports wide range of aesthetic options including glass/acrylic, multiple colors, vinyl wraps, etc. to best match environment or promote brand strategy
- Stand-alone kiosk enclosure or fully integrated with display, media player, power and thermal management, etc.
- Pre-assembled to simplify installation of the entire solution
- Custom sizes available for smaller and larger displays



Landscape models

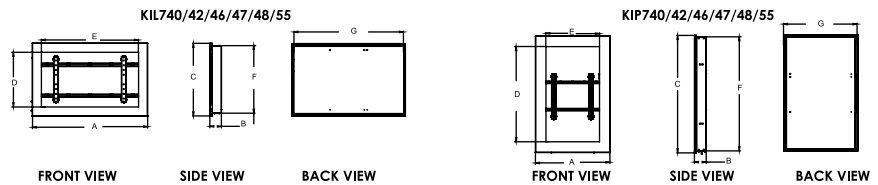


Portrait models

Please visit [peerless-av.com/en-us/patents](http://peerless-av.com/en-us/patents) for patent information.

## TECHNICAL DRAWINGS

For expanded product information and technical data visit [peerless-av.com](http://peerless-av.com)



MODEL NO.	DIMENSION "A"	DIMENSION "B"	DIMENSION "C"	DIMENSION "D"	DIMENSION "E"	DIMENSION "F"	DIMENSION "G"
<b>KIL740</b>	45.41" (1153mm)	5.15" (131mm)	28.91" (734mm)	19.67" (500mm)	34.97" (888mm)	27.50" (699mm)	43.25" (1099mm)
<b>KIL742</b>	45.41" (1153mm)	5.15" (131mm)	28.91" (734mm)	20.65" (525mm)	36.72" (933mm)	27.50" (699mm)	43.25" (1099mm)
<b>KIL746</b>	50.40" (1280mm)	5.15" (131mm)	31.85" (809mm)	22.61" (574mm)	40.20" (1021mm)	30.25" (768mm)	48.25" (1226mm)
<b>KIL747</b>	50.40" (1280mm)	5.15" (131mm)	31.85" (809mm)	23.10" (587mm)	41.07" (1043mm)	30.25" (768mm)	48.25" (1226mm)
<b>KIL748</b>	50.40" (1280mm)	5.15" (131mm)	31.85" (809mm)	23.59" (599mm)	41.94" (1065mm)	30.25" (768mm)	48.25" (1226mm)
<b>KIL755</b>	57.90" (1471mm)	5.15" (131mm)	35.35" (898mm)	27.03" (686mm)	48.01" (1220mm)	33.75" (857mm)	55.75" (1416mm)

MODEL NO.	DIMENSION "A"	DIMENSION "B"	DIMENSION "C"	DIMENSION "D"	DIMENSION "E"	DIMENSION "F"	DIMENSION "G"
<b>KIP740</b>	28.91" (734mm)	5.15" (131mm)	45.41" (1153mm)	34.97" (888mm)	19.67" (500mm)	43.25" (1099mm)	27.50" (699mm)
<b>KIP742</b>	28.91" (734mm)	5.15" (131mm)	45.41" (1153mm)	36.72" (933mm)	20.65" (525mm)	43.25" (1099mm)	27.50" (699mm)
<b>KIP746</b>	31.85" (809mm)	5.15" (131mm)	50.40" (1280mm)	40.20" (1021mm)	22.61" (574mm)	48.25" (1226mm)	30.25" (768mm)
<b>KIP747</b>	31.85" (809mm)	5.15" (131mm)	50.40" (1280mm)	41.07" (1043mm)	23.10" (587mm)	48.25" (1226mm)	30.25" (768mm)
<b>KIP748</b>	31.85" (809mm)	5.15" (131mm)	50.40" (1280mm)	41.94" (1065mm)	23.59" (599mm)	48.25" (1226mm)	30.25" (768mm)
<b>KIP755</b>	35.35" (898mm)	5.15" (131mm)	57.90" (1471mm)	48.01" (1220mm)	27.03" (686mm)	55.75" (1416mm)	33.75" (857mm)

To verify mount compatibility with any display or projector model use MountFinder™ at [peerless-av.com](http://peerless-av.com).



**CALL:** 630-375-5100  
800-865-2112



**FAX:** 630-820-8537  
800-359-6500



**E-MAIL:**  
[info@peerless-av.com](mailto:info@peerless-av.com)



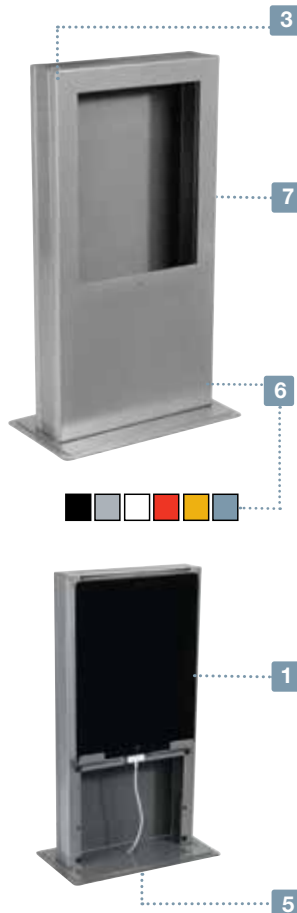
**ON-LINE:**  
[peerless-av.com](http://peerless-av.com)

\*Antimicrobial protection is limited to the treated article and does not protect a user against disease causing bacteria. Always clean products thoroughly after each use.

# Desktop Kiosk

For iPad® Tablets

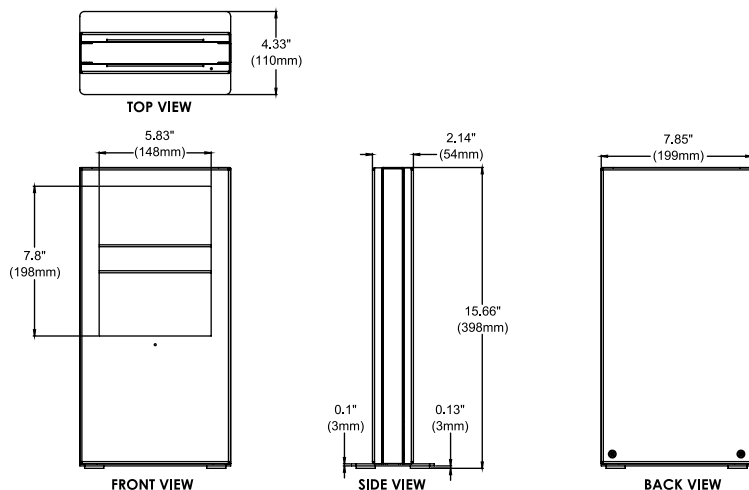
1. Designed specifically for the iPad, iPad2 and iPad with retina display
2. No interference with Wi-Fi, Bluetooth or 3G/4G communication
3. Slim 2.14" (54mm) profile complements tablet design
4. 24+ hours of estimated battery life is longest on the market, when used with an external battery system accessory. *(Actual battery performance may vary based on wireless connectivity, application usage, brightness setting, etc.)*
5. Bolts to mounting surface or secures with high bond, double-sided tape to any solid surface
6. Supports wide range of aesthetic options including glass/acrylic, multiple colors, vinyl wraps, etc. to best match environment or promote brand strategy
7. Pre-assembled for simple installation



Patent Pending.

For expanded product information and technical data visit [peerless-av.com](http://peerless-av.com)

## TECHNICAL DRAWINGS



## MODELS

### Dedicated Models:

For iPad® Tablets

<b>KIP410I</b>	Black
<b>KIP410I-S</b>	Silver
<b>KIP410I-AW</b>	Antimicrobial* white

## SPECIFICATIONS



### Max Load

5lb (2.2kg)

### Product Dimensions (W x H x D)

7.85" x 15.66" x 4.33"  
(199 x 398 x 110mm)

### Mounting Surfaces

Desktop surfaces

### Ship Weight

7.60lb (3.4kg)

## CERTIFICATIONS

**RoHS**

## ACCESSORIES

- PVP1100-CPL6:** Surge Protector with Six Outlets ..... pg# 234
- CL-SCG200:** Screen Cleaning Gel



**Antimicrobial Protection:**  
Agion® antimicrobial\* finish available to assist in controlling the spread of infections

Contact Peerless-AV Customer Care for more information.

\*Antimicrobial protection is limited to the treated article and does not protect a user against disease causing bacteria. Always clean products thoroughly after each use.

To verify mount compatibility with any display or projector model use MountFinder™ at [peerless-av.com](http://peerless-av.com).



CALL: 630-375-5100  
800-865-2112



FAX: 630-820-8537  
800-359-6500



E-MAIL:  
[info@peerless-av.com](mailto:info@peerless-av.com)



ON-LINE:  
[peerless-av.com](http://peerless-av.com)



MODELS

Universal Models:

Includes (1) 49" Optically Bonded Peerless-AV® Xtreme™ Display

**KOP549-XTR-1** Textured black

Includes (2) 49" Optically Bonded Peerless-AV® Xtreme™ Displays

**KOP549-XTR-2** Textured black

Includes (3) 49" Optically Bonded Peerless-AV® Xtreme™ Displays

**KOP549-XTR-3** Textured black

SPECIFICATIONS

Product Dimensions (W x H x D)

KOP549-XTR-1:	27.00" x 64.58" x 14.90" (685 x 1640 x 378mm)
KOP549-XTR-2:	53.00" x 70.25" x 14.90" (1346 x 1784 x 378mm)
KOP549-XTR-3:	79.00" x 70.25" x 14.90" (2006 x 1784 x 378mm)

Mounting Surfaces

Concrete

Ship Weight

KOP549-XTR-1:	290.5lb (131kg)
KOP549-XTR-2:	549.9lb (294kg)
KOP549-XTR-3:	900.3lb (408kg)

CERTIFICATIONS



ACCESSORIES

**ACC-DTP3:**  
Topper for KOP547-XTR-3..... pg# 35

**ACC-DTLSK:**  
Left sidekick ..... pg# 35

**ACC-DTRSK:**  
Right sidekick ..... pg# 35

**CL-ENCL68:**  
Media Player Accessory ..... pg# 47

# Xtreme™ Outdoor Digital Menu Board Kiosk

Includes 49" Optically Bonded Peerless-AV® Xtreme™ Displays

1. Up to 70% in electrical savings over compressor air conditioned systems
2. Xtreme™ displays meet the highest IP rating of 68 and can easily withstand pressure washing from any angle
3. Eliminates the need for expensive, heavy, bulky enclosures, and air conditioning to cool the systems
4. Easy two-man installation process without the need for cranes or forklifts
5. Practical modular design to maintain or repair kiosk quickly
6. No additional layer of glass needed between display and enclosure creating glare
7. Quickly update menus and content to reflect recent price changes or specials, item offerings, caloric content and dayparting
8. Drip caps on the rear door prevent water from entering the unit cabinet in wet conditions
9. Rain cap doubles as solar shield to reduce solar load within the kiosk
10. Optional topper and sidekicks offered in Coroplast™ or magnetic static signage
11. Wind rates up to 110mph; 90mph with topper and sidekicks



KOP549-XTR-3

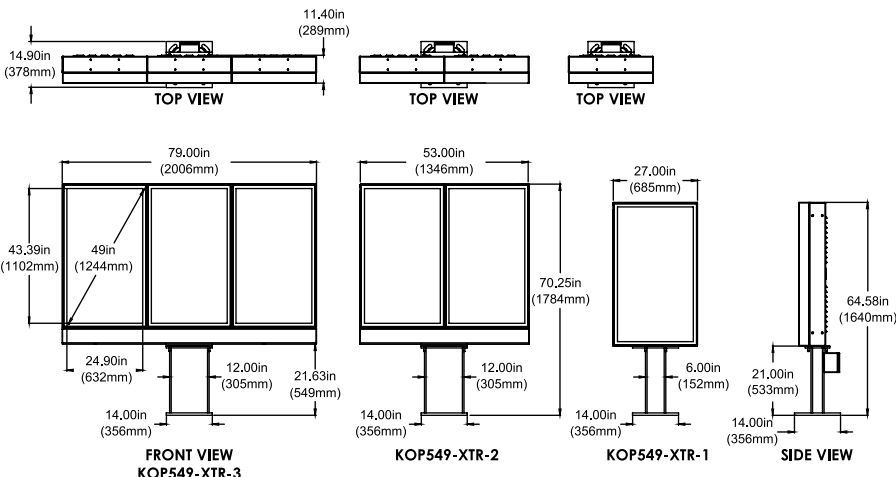


KOP549-XTR-1

For more information on included Xtreme™ Display, see page 10

TECHNICAL DRAWINGS

For expanded product information and technical data visit [peerless-av.com](http://peerless-av.com)



To verify mount compatibility with any display or projector model use MountFinder™ at [peerless-av.com](http://peerless-av.com).



CALL: 630-375-5100  
800-865-2112



FAX: 630-820-8537  
800-359-6500



E-MAIL: [info@peerless-av.com](mailto:info@peerless-av.com)



ON-LINE: [peerless-av.com](http://peerless-av.com)



# Xtreme™ Outdoor Digital Menu Board Kiosk Graphics

For KOP549-XTR-3, KOP549-XTR-2 and KOP549-XTR-1

1. Coroplast or magnetic sidekick and topper graphics to enhance the digital signage and be easily replaced with menu or seasonal changes
2. Quickly update menus and content to reflect specials
3. Wind rated up to 90mph



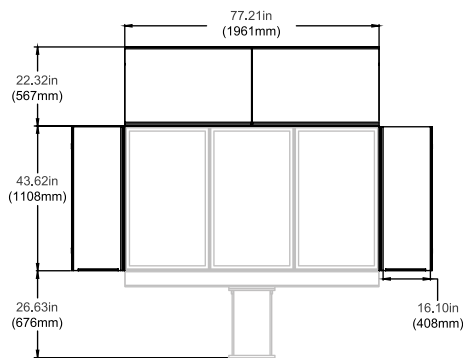
ACCDTTP3, ACC-DTSLK & ACC-DTRSK  
Shown with KOP549-XTR-3



ACC-DTSLK & ACC-DTRSK  
Shown with KOP549-XTR-1

For expanded product information and technical data visit [peerless-av.com](http://peerless-av.com)

## TECHNICAL DRAWINGS



FRONT VIEW

To verify mount compatibility with any display or projector model use MountFinder™ at [peerless-av.com](http://peerless-av.com).



CALL: 630-375-5100  
800-865-2112



FAX: 630-820-8537  
800-359-6500



E-MAIL:  
[info@peerless-av.com](mailto:info@peerless-av.com)



ON-LINE:  
[peerless-av.com](http://peerless-av.com)

## KIOSKS & ENCLOSURES



## MODELS

**ACC-DTSLK**  
**ACC-DTRSK**  
**ACC-DTTP3**

Left sidekick  
Right sidekick  
Topper for KOP549-XTR-3

## SPECIFICATIONS

### Product Dimensions (W x H x D)

ACC-DTSLK/ACC-DTRSK: 16.10" x 43.62" x 1.00"  
(408 x 1108 x 25mm)

ACC-DTTP3: 77.21" x 22.32" x 1.00"  
(1961 x 567 x 25mm)

### Mounting Surfaces

KOP549-XTR-1  
KOP549-XTR-2  
KOP549-XTR-3

### Ship Weight

ACC-DTSLK/ACC-DTRSK: 25lb (22kg)  
ACC-DTTP3: 65lb (29kg)

## ACCESSORIES



**KOP549-XTR-1:**  
Xtreme™ Outdoor Single  
Digital Menu Board Kiosk..... pg# 34



**KOP549-XTR-2:**  
Xtreme™ Outdoor Double  
Digital Menu Board Kiosk..... pg# 34



**KOP549-XTR-3:**  
Xtreme™ Outdoor Triple  
Digital Menu Board Kiosk..... pg# 34

### Coroplast Graphics Dimensions (W x H x D)

ACC-DTSLK/ACC-DTRSK: 15.88" x 43.42" x 0.16"  
(403 x 1103 x 4mm)

ACC-DTTP3: 77.00" x 22.12" x 0.16"  
(1956 x 562 x 4mm)

### Magnetic Graphics Dimensions (W x H)

ACC-DTSLK/ACC-DTRSK: 15.00" x 43.13"  
(381 x 1103mm)

ACC-DTTP3: 77.00" x 21.24"  
(1956 x 539mm)



MODELS

Universal Models:

With (1) 49" Optically Bonded Peerless-AV® Xtreme™ Display

**KOP549-XTR** Textured black  
**KOP549-S-XTR** Silver

With (1) 55" Optically Bonded Peerless-AV® Xtreme™ Display

**KOP555-XTR** Textured black  
**KOP555-S-XTR** Silver

SPECIFICATIONS

Product Dimensions (W x H x D)

34.00" x 81.35" x 20.50"  
 (864 x 2066 x 521mm)

Storage Space (W x H x D)

**KOP549/KOP555(-S)-XTR:** 31.00" x 15.00" x 5.50"  
 (787 x 381 x 140mm)

Mounting Surfaces

Concrete

Ship Weight

**KOP549(-S)-XTR:** 338lb (153kg)  
**KOP555(-S)-XTR:** 422lb (191kg)

CERTIFICATIONS



ACCESSORIES

**CL-ENCL68:** Small Form Factor Electronics Enclosure Environmentally Controlled..... pg# 47

**CL-SCG200:** Screen Cleaning Gel



**KioskBuilder™:**  
 Build your own Integrated Kiosk @  
 kiosks.peerless-av.com



**Antimicrobial Protection:**  
 Agion® antimicrobial\* finish available to assist in controlling the spread of infections

Contact Peerless-AV Customer Care for more information.

\*Antimicrobial protection is limited to the treated article and does not protect a user against disease causing bacteria. Always clean products thoroughly after each use.

# Xtreme™ Outdoor Portrait Kiosk

Includes 49" or 55" Optically Bonded Peerless-AV® Xtreme™ Display

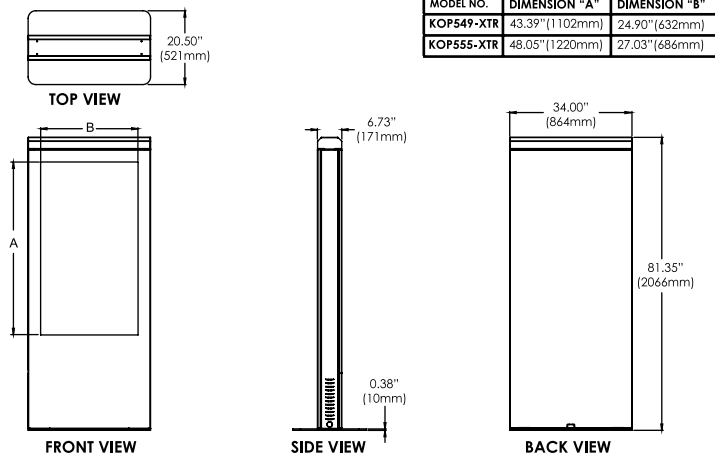
1. IP68 rated display making it impossible for moisture or microscopic dust to collect and get inside the display, creating an outdoor display that can operate without fail under the harshest of conditions
2. Up to 70% in electricity savings with the reduction of electricity needed to power thermal management systems within the kiosk
3. Ambient light sensor automatically adjusts brightness to best match the lighting conditions, providing the best picture at all times
4. Anti-reflective, impact-resistant safety glass on Xtreme™ display protects the screen against damage
5. No filters to buy and replace, and more reliable and quieter than traditional compressor thermal systems
6. Stand-alone kiosk with display or fully integrated with media player, speakers, etc.
7. Supports a wide range of aesthetic options including multiple colors, vinyl wraps, lights, etc. to best match the environment or promote brand strategy
8. Pre-assembled to simplify installation of the entire solution



\* Must use outdoor rated conduit and electronics

TECHNICAL DRAWINGS

For expanded product information and technical data visit [peerless-av.com](http://peerless-av.com)



To verify mount compatibility with any display or projector model use MountFinder™ at [peerless-av.com](http://peerless-av.com).



CALL: 630-375-5100  
800-865-2112



FAX: 630-820-8537  
800-359-6500



E-MAIL: [info@peerless-av.com](mailto:info@peerless-av.com)



ON-LINE: [peerless-av.com](http://peerless-av.com)

# Xtreme™ Outdoor Portrait Back-to-Back Kiosk

Includes (2) 49" or 55" Optically Bonded Peerless-AV® Xtreme™ Displays

1. IP68 rated display making it impossible for moisture or microscopic dust to collect and get inside the display, creating an outdoor display that can operate without fail under the harshest of conditions
2. Up to 70% in electricity savings with the reduction of electricity needed to power thermal management systems within the kiosk
3. Ambient light sensor automatically adjusts brightness to best match the lighting conditions, providing the best picture at all times
4. Anti-reflective, impact-resistant safety glass on Xtreme™ display protects the screen against damage
5. No filters to buy and replace, and more reliable and quieter than traditional compressor thermal systems
6. Stand-alone kiosk with displays or fully integrated with media player, speakers, etc.
7. Supports a wide range of aesthetic options including multiple colors, vinyl wraps, lights, etc. to best match the environment or promote brand strategy
8. Pre-assembled to simplify installation of the entire solution

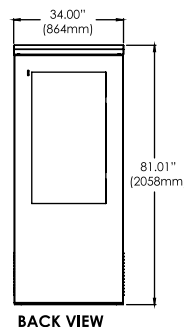
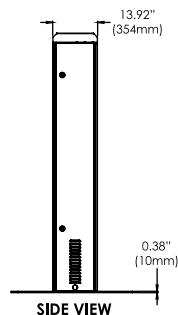
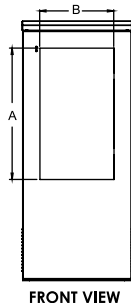
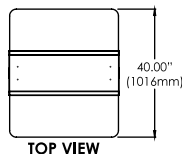


\* Must use outdoor rated conduit and electronics

For more information on included Xtreme™ Display, see pages 10-11

For expanded product information and technical data visit [peerless-av.com](http://peerless-av.com)

## TECHNICAL DRAWINGS



MODEL NO.	DIMENSION "A"	DIMENSION "B"
KOP549B-XTR	43.39" (1102mm)	24.90" (632mm)
KOP555B-XTR	48.05" (1220mm)	27.03" (686mm)

To verify mount compatibility with any display or projector model use MountFinder™ at [peerless-av.com](http://peerless-av.com).



CALL: 630-375-5100  
800-865-2112



FAX: 630-820-8537  
800-359-6500



E-MAIL: [info@peerless-av.com](mailto:info@peerless-av.com)



ON-LINE: [peerless-av.com](http://peerless-av.com)



## MODELS

### Universal Models:

With (2) 49" Optically Bonded Peerless-AV® Xtreme™ Displays

**KOP549B-XTR** Textured black  
**KOP549B-S-XTR** Silver

With (2) 55" Optically Bonded Peerless-AV® Xtreme™ Displays

**KOP555B-XTR** Textured black  
**KOP555B-S-XTR** Silver

## SPECIFICATIONS

### Product Dimensions (W x H x D)

34.00" x 81.00" x 40.00"  
(864 x 2058 x 1016mm)

### Storage Space (W x H x D)

31.00" x 10.93" x 13.50"  
(787 x 278 x 343mm)

### Mounting Surfaces

Concrete

### Ship Weight

**KOP549B(-S)-XTR:** 430lb (195kg)  
**KOP555B(-S)-XTR:** 465lb (211kg)

## CERTIFICATIONS



**RoHS**  
PROTECTED

## ACCESSORIES

**CL-ENCL68:** Small Form Factor Electronics Enclosure Environmentally Controlled..... pg# 47

**CL-SCG200:** Screen Cleaning Gel



**KioskBuilder™:**  
Build your own Integrated Kiosk @ [kiosks.peerless-av.com](http://kiosks.peerless-av.com)



**Antimicrobial Protection:**  
Agion® antimicrobial\* finish available to assist in controlling the spread of infections

Contact Peerless-AV Customer Care for more information.

\*Antimicrobial protection is limited to the treated article and does not protect a user against disease causing bacteria. Always clean products thoroughly after each use.



MODELS

Universal Models:

With (1) 49" Optically Bonded Peerless-AV® Xtreme™ Display

- KOL549-XTR** Textured black
- KOL549-S-XTR** Silver

With (1) 55" Optically Bonded Peerless-AV® Xtreme™ Display

- KOL555-XTR** Textured black
- KOL555-S-XTR** Silver

SPECIFICATIONS

	<b>Max Load</b>	150lb (68kg)
<b>Product Dimensions (W x H x D)</b>		
KOL549(-S)-XTR:	44.50" x 56.70" x 20.50" (1130 x 1440 x 521mm)	
KOL555(-S)-XTR:	47.60" x 58.30" x 20.50" (1209 x 1481 x 521mm)	
<b>Storage Space (W x H x D)</b>		
	27.00" x 15.00" x 5.50" (686 x 381 x 140mm)	
<b>Mounting Surfaces</b>		Concrete
<b>Ship Weight</b>		
KOL549(-S)-XTR:	328lb (148kg)	
KOL555(-S)-XTR:	368lb (167kg)	

CERTIFICATIONS



ACCESSORIES

- CL-ENCL68:** Small Form Factor Electronics Enclosure Environmentally Controlled..... pg# 47
- CL-SCG200:** Screen Cleaning Gel
- IRTO49-100:** 49" Xtreme™ Outdoor IR Touch Overlay ..... pg# 13
- IRTO55-100:** 55" Xtreme™ Outdoor IR Touch Overlay ..... pg# 13
- PCT049-100:** 49" Xtreme™ Outdoor PCAP Touch Overlay ..... pg# 14
- PCT055-100:** 55" Xtreme™ Outdoor PCAP Touch Overlay ..... pg# 14



**KioskBuilder™.**  
Build your own Integrated Kiosk @  
kiosks.peerless-av.com

**Antimicrobial Protection:**  
Agion® antimicrobial\* finish  
available to assist in controlling the  
spread of infections

Contact Peerless-AV Customer Care  
for more information.

\*Antimicrobial protection is limited to the treated article and does not protect a user against disease causing bacteria. Always clean products thoroughly after each use.

# Xtreme™ Outdoor Landscape Kiosk

Includes 49" or 55" Optically Bonded Peerless-AV® Xtreme™ Display

1. IP68 rated display making it impossible for moisture or microscopic dust to collect and get inside the display, creating an outdoor display that can operate without fail under the harshest of conditions
2. Up to 70% in electricity savings with the reduction of electricity needed to power thermal management systems within the kiosk
3. Ambient light sensor automatically adjusts brightness to best match the lighting conditions, providing the best picture at all times
4. Anti-reflective, impact-resistant safety glass on Xtreme™ display protects the screen against damage
5. No filters to buy and replace, and more reliable and quieter than traditional compressor thermal systems
6. Stand-alone kiosk with display or fully integrated with media player, speakers, etc.
7. Supports a wide range of aesthetic options including multiple colors, vinyl wraps, lights, etc. to best match the environment or promote brand strategy
8. Pre-assembled to simplify installation of the entire solution

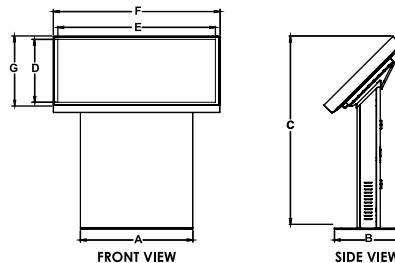


\* Must use outdoor rated conduit and electronics

For more information on included Xtreme™ Display, see pages 10-11

TECHNICAL DRAWINGS

For expanded product information and technical data visit peerless-av.com



MODEL NO.	DIMENSION "A"	DIMENSION "B"	DIMENSION "C"	DIMENSION "D"	DIMENSION "E"	DIMENSION "F"	DIMENSION "G"
KOL549-XTR	34.00" (864mm)	20.50" (521mm)	56.70" (1440mm)	24.90" (632mm)	43.39" (1102mm)	44.50" (1130mm)	26.01" (660mm)
KOL555-XTR	34.00" (864mm)	20.50" (521mm)	58.30" (1481mm)	26.80" (681mm)	47.60" (1209mm)	47.60" (1209mm)	29.60" (752mm)

To verify mount compatibility with any display or projector model use MountFinder™ at peerless-av.com.



CALL: 630-375-5100  
800-865-2112



FAX: 630-820-8537  
800-359-6500



E-MAIL: info@peerless-av.com

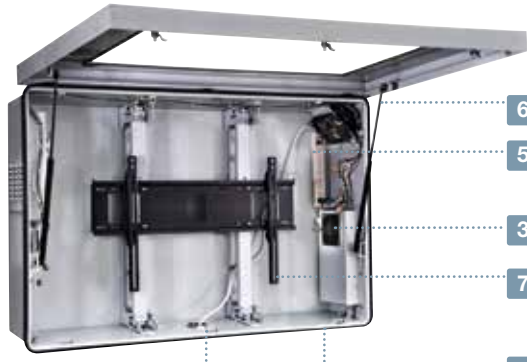


ON-LINE: peerless-av.com

# Indoor/Outdoor Protective Enclosures with Fan or Heater

For 40" to 55" Displays up to 4" Deep

1. Tested to IP56/NEMA 4X standards providing protection against dust and water
2. Heater models' thermostat controlled heat ensures proper heat ventilation in cold environments
3. Circulation fans ensure proper airflow within the unit
4. Rubber gasket seal and Rolex cable gland protects from ingress of water and other harmful elements
5. 6 outlet 115V 15A power strip provides power to internal components
6. Gas struts deliver easy access to display for installation and maintenance
7. Includes Peerless-AV® universal mount PF660 that accommodates displays with up to 600 x 400mm VESA® mounting pattern



Heater models



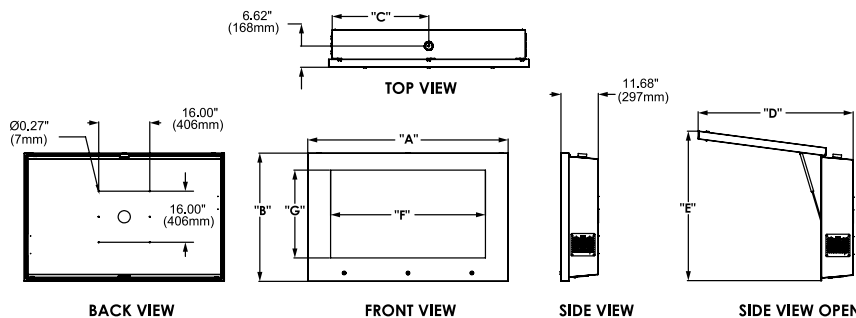
Fan models: Ambient temperature range that the unit will work: 41 to 95° F (5 to 35° C)  
 Heater models: Ambient temperature range that the unit will work: -35 to 95° F (-37 to 35° C)

Note: Customizable enclosures and mounts available. Contact Customer Care for further details. IR remotes controls may be blocked depending on placement of sensor on certain displays.

Do not use in direct sunlight.

For expanded product information and technical data visit [peerless-av.com](http://peerless-av.com)

## TECHNICAL DRAWINGS



MODEL NO.	DIMENSION "A"	DIMENSION "B"	DIMENSION "C"	DIMENSION "D"	DIMENSION "E"	DIMENSION "F"	DIMENSION "G"
FPE42F-S	51.41" (1306mm)	33.80" (859mm)	25.09" (637mm)	42.18" (1071mm)	39.67" (1008mm)	36.50" (927mm)	21.00" (533mm)
FPE47F-S	55.76" (1416mm)	36.25" (921mm)	26.78" (680mm)	44.65" (1134mm)	42.20" (1072mm)	41.50" (1054mm)	23.50" (597mm)
FPE55F-S	62.74" (1594mm)	40.18" (1021mm)	30.26" (769mm)	48.51" (1232mm)	46.83" (1189mm)	48.50" (1232mm)	27.50" (699mm)

MODEL NO.	DIMENSION "A"	DIMENSION "B"	DIMENSION "C"	DIMENSION "D"	DIMENSION "E"	DIMENSION "F"	DIMENSION "G"
FPE42FH-S	51.41" (1306mm)	33.80" (859mm)	25.09" (637mm)	42.18" (1071mm)	39.67" (1008mm)	36.50" (927mm)	21.00" (533mm)
FPE47FH-S	55.76" (1416mm)	36.25" (921mm)	26.78" (680mm)	44.65" (1134mm)	42.20" (1072mm)	41.50" (1054mm)	23.50" (597mm)
FPE55FH-S	62.74" (1594mm)	40.18" (1021mm)	30.26" (769mm)	48.51" (1232mm)	46.83" (1189mm)	48.50" (1232mm)	27.50" (699mm)

To verify mount compatibility with any display or projector model use MountFinder™ at [peerless-av.com](http://peerless-av.com).

CALL: 630-375-5100 800-865-2112 FAX: 630-820-8537 800-359-6500 E-MAIL: info@peerless-av.com ON-LINE: peerless-av.com



## MODELS

### Universal Models:

Includes stainless steel key lock

Fan models:

<b>FPE42F-S</b>	40" to 42" Displays	Stone Gray
<b>FPE47F-S</b>	46" to 47" Displays	Stone Gray
<b>FPE55F-S</b>	52" to 55" Displays	Stone Gray

Heater models:

<b>FPE42FH-S</b>	40" to 42" Displays	Stone Gray
<b>FPE47FH-S</b>	46" to 47" Displays	Stone Gray
<b>FPE55FH-S</b>	52" to 55" Displays	Stone Gray

## DISPLAY ADAPTOR



Mounting Pattern (W x H)

Universal Models: 730 x 405mm (28.75" x 15.95")



VESA® Pattern

Universal Models: Up to 600 x 400mm

## SPECIFICATIONS



Max Load

250lb (113kg)

### Product Dimensions (W x H x D)

FPE42 models:	51.41" x 33.80" x 11.68" (1306 x 859 x 297mm)
FPE47 models:	55.76" x 36.25" x 11.68" (1416 x 921 x 297mm)
FPE55 models:	62.74" x 40.18" x 11.68" (1594 x 1021 x 297mm)

### Storage Space (W x H x D)

13.50" x 35.00" x 5.25"  
(343 x 889 x 133mm)

### Available Power Load Wattage

Fan models:	700 Watts
Heater models:	1500 Watts

### Factory Set Operating Temperatures

Fans:	turn on at 70°F (21°C)
Heaters:	turn on at 40° ±7°F (4° ±7°C) turn off at 60° ±5°F (15° ±5°C)

### Mounting Surfaces

Wood stud, concrete and cinder/breeze block

### Ship Weight

FPE42F-S:	150lb (68kg)
FPE47F-S:	160lb (73kg)
FPE55F-S:	170lb (77kg)
FPE42FH-S:	155lb (70kg)
FPE47FH-S:	165lb (75kg)
FPE55FH-S:	175lb (79kg)

## CERTIFICATIONS



RoHS

## ACCESSORIES



**FPEWM:**  
Enclosure Wall Mount ..... pg# 40



**FPECMC-01, 02, 03, 04:**  
Enclosure Ceiling Mount ..... pg# 40



**FPECMI-01, 02, 03, 04:**  
Enclosure I-beam Mount ..... pg# 40



**FPEPM-05, 06, 08:**  
Enclosure Pedestal Mount ..... pg# 40



# Mounting Accessories

## For Peerless-AV® Outdoor Enclosures

### FPEWM

Tilt Wall Mount for Peerless-AV® Outdoor Enclosures

1. For indoor or outdoor use
2. Constructed from corrosion resistant materials, coated with a special e-coat and comes with stainless steel hardware to endure the harshest environments
3. Incremental tilt settings from 0° to 20° to find the perfect viewing angle
4. Hook-and-Hang™ design helps attach enclosure to mount and hold the weight load while making fine tuning adjustments

**Mounting Surface:** Wood stud, concrete and cinder/breeze block  
**Max Load:** 400lb (181kg)  
**Ship Weight:** 38lb (17kg)  
**Color:** Stone Gray



### FPECMC-01/-02/-03/-04 Tilt Ceiling Mount – Concrete for Peerless-AV® Outdoor Enclosures

1. Constructed from corrosion resistant materials, coated with a special e-coat and comes with stainless steel hardware to endure the harshest environments
2. Incremental tilt settings from 0° to 20° to find the perfect viewing angle
3. Available in 1 to 4 foot pole length options for varied drop down requirements
4. 360° lock-in-place swivel makes it easy to set the perfect viewing angle without having to adjust the ceiling base

**Mounting Surface:** Concrete  
**Max Load:** 400lb (181kg)  
**Ship Weight:** FPECMC-01: 73lb (33kg)  
 FPECMC-02: 77lb (35kg)  
 FPECMC-03: 82lb (37kg)  
 FPECMC-04: 87lb (39kg)  
**Color:** Stone Gray



### FPECFI-01/-02/-03/-04 Tilt Ceiling Mount – I-Beam for Peerless-AV® Outdoor Enclosures

1. Constructed from corrosion resistant materials, coated with a special e-coat and comes with stainless steel hardware to endure the harshest environments
2. Incremental tilt settings from 0° to 20° to find the perfect viewing angle
3. Available in 1 to 4 foot pole length options for varied drop down requirements
4. 360° lock-in-place swivel makes it easy to set the perfect viewing angle without having to adjust the ceiling base
5. Adjustable I-beam adaptor supports installation to I-beams with flange width of 5.45" (138mm) min and 12.45" (316mm) max

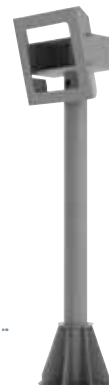
**Mounting Surface:** CI-Beam  
**Max Load:** 400lb (181kg)  
**Ship Weight:** FPECFI-01: 79lb (36kg)  
 FPECFI-02: 83lb (38kg)  
 FPECFI-03: 88lb (40kg)  
 FPECFI-04: 93lb (42kg)  
**Color:** Stone Gray



### FPEPM-05, FPEPM-06, FPEPM-08 Pedestal Mount for Peerless-AV® Outdoor Enclosures

1. For indoor or outdoor use
2. Constructed from corrosion resistant materials, coated with a special e-coat and comes with stainless steel hardware to endure the harshest environments
3. Incremental tilt settings from 0° to 15° to find the perfect viewing angle
4. Available in 5 to 8 foot pole lengths for varied heights requirements
5. Lock-in-place swivel makes it easy to set the perfect viewing angle without having to adjust the pedestal base
6. Hook-and-Hang™ design helps attach enclosure to mount and hold the weight load while making fine tuning adjustments

**Mounting Surface:** Concrete  
**Max Load:** 400lb (181kg)  
**Ship Weight:** FPEPM-05: 138lb (62kg)  
 FPEPM-06: 148lb (67kg)  
 FPEPM-08: 168lb (76kg)  
**Color:** Stone Gray



To verify mount compatibility with any display or projector model use MountFinder™ at [peerless-av.com](http://peerless-av.com).



CALL: 630-375-5100  
800-865-2112



FAX: 630-820-8537  
800-359-6500



E-MAIL: [info@peerless-av.com](mailto:info@peerless-av.com)



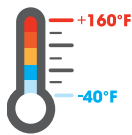
ON-LINE: [peerless-av.com](http://peerless-av.com)



## ***Bring it, Mother Nature.***



WEATHER RESISTANT



IP65  
Bluetooth®



- Built-in Class D amplifier outputs 180W total system power

- Standard analog input allows for use with all leading outdoor TVs

Amplify your outdoor entertainment experience with the Peerless-AV® Xtreme™ Outdoor Soundbar. With an IP65 rating, the Xtreme Outdoor Soundbar is built to withstand the most extreme outdoor elements brought on by Mother Nature. With features such as Bluetooth® compatibility and full range audio support, your outdoor experience gets an upgrade.

**Learn more on page 46.**

**peerless-AV®**

**75**  
Years of  
**INNOVATION**  
est. 1941



## peerAir™ | PRO

- Multicast mode supports full HD 1080p up to 6 receivers\*
- Extended 210ft wireless distance\*\*
- New HDMI pass-thru output for local 7th display
- IR back channel with improved compatibility

\*Requires additional receiver units

\*\*Actual distance will be reduced with obstructions between transmitter and receiver model

Eliminate the hassle of running cables with the PeerAir™ Pro Wireless AV Multi-Display System. With four inputs and the ability to multicast to up to six displays, this wireless workhorse streams Full HD 1080p and passive 3D signals up to 210ft (64m) to an HDTV, projector or any other display. For new installations and retrofits alike, this kit is a time-saving tool for professional AV integrators in both commercial and residential applications. **Learn more on page 43.**



peerless-AV®





**WIRELESS AV**

**HDS-WHD100**  
PeerAir™ Wireless HD Multimedia System ..... pg# 42

**HDS300/-2/-3/-4/-5/-6 Models**  
PeerAir™ Pro Wireless AV  
Multi-Display System ..... pg# 43

**HDS-IWK-300**  
Wireless Integration  
Kit for Flat Panel Displays ..... pg# 44

**HDS-PWK-300**  
Wireless Projector  
Integration Kit for Projector Mounts ..... pg# 44

**HDS-OWK-300**  
Wireless Outdoor  
Integration Kit for Outdoor Displays..... pg# 44

**HDS-IWM-300**  
Wireless Integration  
Module for Display Mounts..... pg# 44

**HDS-PWM-300**  
Wireless Projector  
Integration Module for Projector Mounts ..... pg# 44

**HDS-OWRE-300**  
Wireless Outdoor  
Integration Module ..... pg# 44

**WL-SR560M-300**  
Wireless Flat Panel Display Cart  
For 32" to 75" Displays..... pg# 45



**OUTDOOR AUDIO**

**SPK-060**  
Xtreme™ Outdoor Soundbar  
For 42" to 80" Displays..... pg# 46



**OUTDOOR ENCLOSURES**

**CL-ENCL68**  
Small Form Factor Electronics Enclosure  
Environmentally Controlled ..... pg# 47



**BROADCAST**

**HDS-ATA100**  
High Definition Over-The-Air  
Broadcast Antenna ..... pg# 48



CALL: 630-375-5100  
800-865-2112



FAX: 630-820-8537  
800-359-6500



E-MAIL:  
info@peerless-av.com



ONLINE:  
peerless-av.com



## MODELS

**HDS-WHD100** Black

## SPECIFICATIONS

## Product Dimensions (W x H x D)

**Transmitter:** 7.17" x 1.24" x 3.80"  
(182 x 32 x 97mm)

**Receiver:** 3.74" x 1.28" x 3.74"  
(95 x 32 x 95mm)

## Ship Weight

2.8lb (1.27kg)

## Wireless Specifications

**Video Input:** 2 HDMI

**Video Output:** 1 HDMI streaming  
1 HDMI wired

**Transmission Distance:** Up to 100 feet line of sight  
with no latency\*

**Operating Frequencies:** 4.9-5.9 GHz  
(Includes non-DFS frequency bands)

**Latency:** < 1 ms  
(.001sec)

**Supported Video Resolutions:** 1080p, 1080i, 720p, 576p, 480p

**Power Interface:** Power Input  
5V DC (transmitter)  
5V DC (receiver)

**HDCP Compliant:** Yes

## CERTIFICATIONS



## ACCESSORIES



**HDS-ASR1:**  
Shelf for use with HDS-WHD100 Receiver



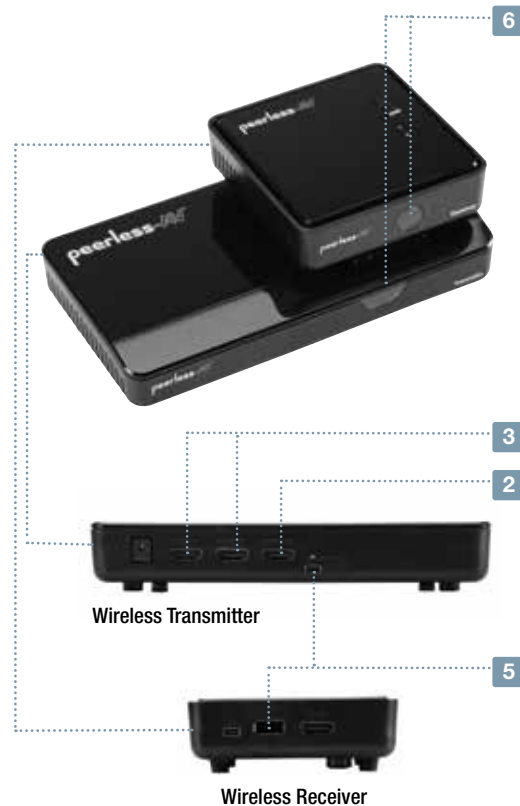
**HDS-APMR1:**  
Projector Mount Integration Module  
for use with HDS-WHD100 Receiver

Contact Peerless-AV Customer Care  
for more information.

peerAir™

## Wireless HD Multimedia System

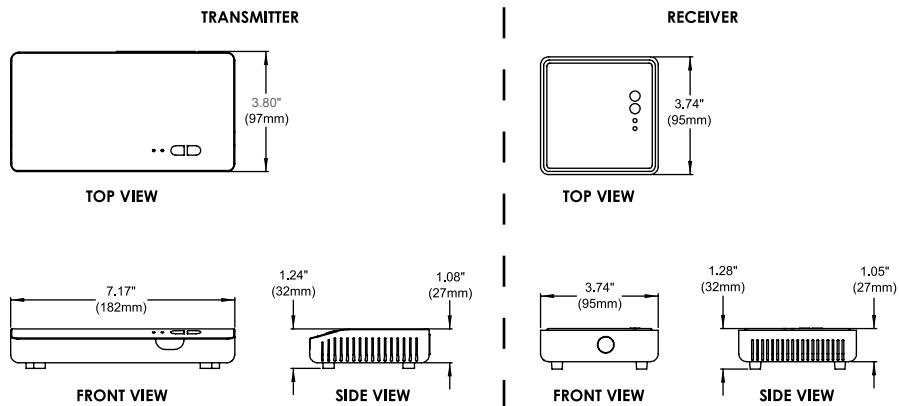
1. Stream Full HD 1080p and 3D content wirelessly up to 100ft (30m)\*
2. HDMI pass-through feature allows hard-wired connection to a second HDTV
3. Connects up to 2 HDMI devices such as Blu-ray™ player, set-top box, gaming console, etc.
4. Zero latency (<1ms) enables instant gaming response
5. USB gaming/PC port wirelessly connects computer to gaming controller, keyboard or mouse
6. IR functionality allows remote control of AV devices when stored out of sight



\*Transmission distance will depend on actual environment. Distance based on line-of-sight.  
Structures constructed of steel, wood, concrete, or/and brick may decrease transmission distance.

## TECHNICAL DRAWINGS

For expanded product information and technical data visit [peerless-av.com](http://peerless-av.com)



To verify mount compatibility with any display or projector model use MountFinder™ at [peerless-av.com](http://peerless-av.com).



CALL: 630-375-5100  
800-865-2112



FAX: 630-820-8537  
800-359-6500



E-MAIL:  
[info@peerless-av.com](mailto:info@peerless-av.com)



ON-LINE:  
[peerless-av.com](http://peerless-av.com)

# peerAir™ PRO

## Wireless AV Multi-Display System

1. Supports Full HD 1080p (60 Hz) (24/30 fps) and passive 3D signal
2. Long range, high-quality streaming up to 210ft (64m)\* with no reduction of picture quality
3. Multicast up to six PeerAir™ Pro Wireless Receivers\*\*
4. Transmits through walls and ceilings for multi-room streaming capability
5. The PeerAir™ Pro Wireless AV Multi-Display System's (802.11n) private network resists interference and network sharing from nearby wireless routers
6. Built-in IR repeater does not require line-of-sight placement for control of source devices such as DVR/ set-top box, satellite box, Blu-ray®/DVD player, or media server



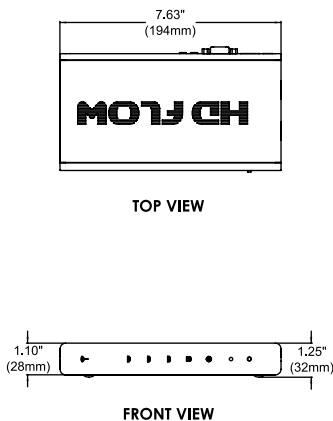
Wireless Transmitter

Wireless Receiver

\* Actual distance will be reduced with obstructions between transmitter and receiver models  
 \*\* Requires additional receiver units  
 \*\*\* From HDMI input 1 only

For expanded product information and technical data visit [peerless-av.com](http://peerless-av.com)

### TECHNICAL DRAWINGS



TOP VIEW

FRONT VIEW

SIDE VIEW



### MODELS

<b>HDS300</b>	Wireless AV Multi-Display System	Black
<b>HDS300-2</b>	Multicast: Two Receivers	Black
<b>HDS300-3</b>	Multicast: Three Receivers	Black
<b>HDS300-4</b>	Multicast: Four Receivers	Black
<b>HDS300-5</b>	Multicast: Five Receivers	Black
<b>HDS300-6</b>	Multicast: Six Receivers	Black

### SPECIFICATIONS

Product Dimensions (W x H x D)	
<b>HDS300:</b>	1.25" x 7.63" x 4.27" (32 x 194 x 108mm)
Ship Weight	
<b>HDS300:</b>	4.7lb (2.13kg)
<b>HDS300-2:</b>	6.4lb (2.93kg)
<b>HDS300-3:</b>	8.3lb (3.18kg)
<b>HDS300-4:</b>	10.1lb (4.18kg)
<b>HDS300-5:</b>	12.35lb (5.6kg)
<b>HDS300-6:</b>	14.2lb (6.44kg)

Product Specifications	
<b>Video Input:</b> (Transmitter)	3x HDMI up to 1080p (60Hz) 1 x VGA 1 x Component (via AV Dongle) 1 x Composite (via AV Dongle)
<b>Video Output:</b> (Transmitter)	1 x HDMI Pass-Thru***
<b>Video Output:</b> (Receiver)	1 x HDMI up to 1080p (60Hz) 1 x Component 1 x Composite
<b>Wireless Connection:</b>	Supporting IEEE 802.11n: OFDM
<b>Wired Connection:</b>	RJ45 LAN Port Direct Connection
<b>Wireless Distance:</b>	210' (64m)*
<b>LAN:</b>	1 x LAN Port (Transmitter/Receiver) 10/100/1000 Base
<b>USB:</b>	1x USB 1.0 Type A (for service)
<b>Digital Audio:</b>	2 Channel Digital PCM (48KHz, 16 bit) via HDMI (Transmitter and Receiver)
<b>Analog Audio:</b>	1x 3.5mm Audio Jack 1x Left/Right RCA jacks (Receiver)
<b>Power:</b>	Voltage: 120VAC 60Hz Consumption: 12VDC 2A
<b>Security:</b>	WPA2 personal and AES

### CERTIFICATIONS



### ACCESSORIES

- HDS300-R:** PeerAir™ Pro Wireless Receiver
- HDS-ASE:** Wireless TX/RX Security Enclosure for use with PeerAir™ Pro Models
- HDS-S:** Wall Shelf for use with PeerAir™ Pro Models

Contact Peerless-AV Customer Care for more information.

To verify mount compatibility with any display or projector model use MountFinder™ at [peerless-av.com](http://peerless-av.com).



# PeerAir™ Pro Wireless AV Multi-Display System Indoor/Outdoor Kits & Modules

## HDS-IWK-300 Wireless Integration Kit for Flat Panel Displays

1. Includes everything needed to stream wireless Full HD 1080p and passive 3D content to the mounted display through walls, floors and ceilings
2. Retrofits to virtually any tilt or articulating wall mount with universal mounting supports
3. Power module includes 3-tap grounded outlet for wireless components and display power allowing only 1 power cable to be routed to the power outlet
4. Integrated control of out-of-sight components with IR pass through

**Wireless Range:** 210' (64m)  
See page #40 for wireless specifications on included PeerAir™ Pro Wireless AV Multi-Display System (transmitter and receiver)

**Ship Weight:** 10.45lb (4.7kg)  
**Color:** Gloss black



## HDS-PWK-300 Wireless Projector Integration Kit for Projector Mounts

1. Includes everything needed to stream wireless Full HD 1080p and passive 3D content to the mounted projector through walls, floors and ceilings
2. Compatible with Peerless-AV® projector mounting solutions using Spider® Universal Adaptor Plate
3. Includes security and non-security wireless component installation hardware
4. Horizontal adjustability to aesthetically accommodate virtually any projector size

**Wireless Range:** 210' (64m)  
See page #40 for wireless specifications on included PeerAir™ Pro Wireless AV Multi-Display System (transmitter and receiver)

**Ship Weight:** 4.30lb (1.95kg)  
**Color:** Black



## HDS-OWK-300 Wireless Outdoor Integration Kit for Outdoor Displays

1. Includes everything needed to stream wireless Full HD 1080p and passive 3D content to the mounted display through walls, floors and ceilings
2. Accommodates installation to virtually any Peerless-AV® mount or flat wall surface
3. Includes Cam-lock to secure contents inside
4. Cable management portals for a clean, clutter-free installation

**Wireless Range:** 210' (64m)  
See page #40 for wireless specifications on included PeerAir™ Pro Wireless AV Multi-Display System (transmitter and receiver)

**Ship Weight:** 8.40lb (3.81kg)  
**Color:** Black



## HDS-IWM-300 Wireless Integration Module for Display Mounts

1. Specially designed for use with PeerAir™ Pro Wireless Receiver, HDS300-R (sold separately)
2. Quick and easy integration with virtually any mount (sold separately)
3. Power module includes 3-tap grounded outlet for wireless components and display power allowing only 1 power cable to be routed to the power outlet
4. Compliant with VESA® 200 x 100, 200 x 200mm mounting patterns and universal mounting patterns up to 800 x 400mm

**Ship Weight:** 4.95lb (2.25kg)  
**Color:** Gloss black



## HDS-PWM-300 Wireless Projector Integration Module for Projector Mounts

1. Designed to support PeerAir™ Pro Wireless Receiver, HDS300-R (sold separately)
2. Compatible with Peerless-AV® projector mounting solutions using Spider® Universal Adaptor Plate (sold separately)
3. Includes security and non-security wireless component installation hardware
4. Cable management portals for a clean, clutter-free installation

**Ship Weight:** 0.65lb (0.29kg)  
**Color:** Black



## HDS-OWRE-300 Wireless Outdoor Integration Module

1. Designed to support PeerAir™ Pro Wireless Receiver, HDS300-R and other components (sold separately)
2. Accommodates installation to virtually any Peerless-AV® mount or flat wall surface (sold separately)
3. Includes Cam-lock to secure contents inside
4. Cable management portals for a clean, clutter-free installation

**Ship Weight:** 4.85lb (2.20kg)  
**Color:** Black



To verify mount compatibility with any display or projector model use MountFinder™ at [peerless-av.com](http://peerless-av.com).



CALL: 630-375-5100  
800-865-2112



FAX: 630-820-8537  
800-359-6500



E-MAIL:  
[info@peerless-av.com](mailto:info@peerless-av.com)



ON-LINE:  
[peerless-av.com](http://peerless-av.com)

# Wireless Flat Panel Display Cart

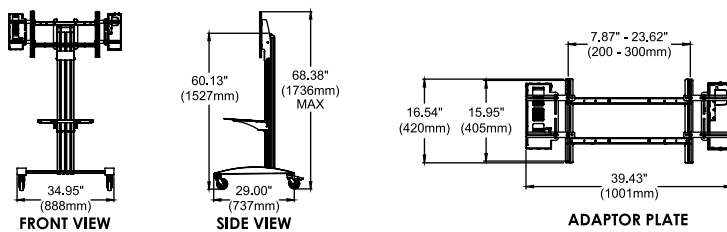
For 32" to 75" Displays

1. Includes everything needed to stream wireless Full HD 1080p and passive 3D content to the mounted display through walls, floors or ceilings
2. Built-in 3-tap grounded outlet for wireless components and display power allowing for only one power cable to be routed to the power outlet
3. Display and component shelf can be located anywhere along the column for perfect component placement and viewing height (up to 60" at center)
4. Integrated cable management protects, contains and conceals cables for a clean, professional installation
5. Maneuvers easily on 4" (102mm) swivel casters, two locking
6. Quick and easy installation and plug-and-play wireless set up



For expanded product information and technical data visit [peerless-av.com](http://peerless-av.com)

## TECHNICAL DRAWINGS



## MODELS

### Universal Models:

Includes standard hardware (hex or Phillips) for attaching display to mount

**WL-SR560M-300** Black cart with metal shelf

## DISPLAY ADAPTOR



### VESA® Pattern

Universal Models: 200 x 200 up to 600 x 400mm

## SPECIFICATIONS



### Tilt

-5°, 0°



### Max Load

150lb (68.2kg) display  
10lb (4.55kg) shelf

### Product Dimensions (W x H x D)

39.43" x 68.38" x 29.00"  
(1001 x 1736 x 737mm)

### Ship Weight

91.45lb (41.48kg)

### Wireless Specifications (Transmitter and Receiver)

See page #43 for wireless specifications on included PeerAir™ Pro Wireless AV Multi-Display System (transmitter and receiver)

## CERTIFICATIONS



## ACCESSORIES



**ACC310:**  
Feet Accessory..... pg# 235



**ACC316:**  
Safety Belt..... pg# 235



**ACC320:**  
Electrical Outlet Strip  
with Cord Wrap..... pg# 235



**ACC-BPR:**  
Bumper Accessory for legs .... pg# 235



**ACC-GS1:**  
Tempered Glass Shelf ..... pg# 236



**ACC-LA:**  
Laptop Arm..... pg# 236



**ACC-MS:**  
Metal Shelf..... pg# 236



**ACC-VCS:**  
Video Conferencing Shelf..... pg# 236



**DSX750:**  
Media Player Storage..... pg# 144



**HDS300-R:**  
PeerAir™ Pro Wireless Receiver



**HDS-ASE:**  
Wireless TX/RX Security Enclosure  
for use with PeerAir™ Pro Models

Contact Peerless-AV Customer Care for more information.

To verify mount compatibility with any display or projector model use MountFinder™ at [peerless-av.com](http://peerless-av.com).



CALL: 630-375-5100  
800-865-2112



FAX: 630-820-8537  
800-359-6500



E-MAIL:  
[info@peerless-av.com](mailto:info@peerless-av.com)



ON-LINE:  
[peerless-av.com](http://peerless-av.com)



## MODELS

Universal Models:

## SPK-060

## DISPLAY ADAPTOR



VESA® Pattern

Universal Models: 400mm Wide Pattern

## SPECIFICATIONS

## Product Dimensions (W x H x D)

38.09" x 3.91" x 4.07"  
(967 x 99 x 103mm)

## Ship Weight

18.4lb (8.35kg)

## Specifications

Built-In Class D Amplifier	Total System Power: 180 watts
SPL	103dB
Crossover	Digital Signal Processing (DSP)
Drivers	(2) 3" (76mm) Aluminum Drivers
Tweeters	(2) 1.5" (38mm) Titanium Domes
Audio Inputs	(1) Analog 3.5mm Connector, (1) Bluetooth® 4.0 Input
Environmental Protection Rating	IP65
Frequency Response	50Hz - 20kHz
Operating Temperature Range	-40° - 160°F (-40° - 71°C)

## CERTIFICATIONS

IP65 Bluetooth®

## ACCESSORIES

**UV491:**  
49" UltraView™ Outdoor TV..... pg# 16**UV551:**  
55" UltraView™ Outdoor TV..... pg# 16**UV651:**  
65" UltraView™ Outdoor TV..... pg# 16

## Xtreme™ Outdoor Soundbar

For 42" to 80" Displays

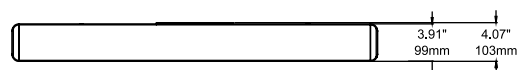
- Built-in Class D amplifier outputs 180W total system power
- IP65 rated aluminum enclosure features gaskets at every seam that seal, isolate and protect the soundbar's electronics from the outside environment
- High quality drivers provide great sounding full range audio (50Hz - 20kHz)
- Built-in Bluetooth® module wirelessly streams audio from Bluetooth® enabled devices
- Control the power level, tone, and input selection with the 12 button IR remote control
- Standard analog input allows for use with all leading outdoor TVs
- Easily mounts to the Peerless-AV® Xtreme™ line of weatherproof displays, universal mount also included
- Decorative end caps can be positioned in 90° intervals to aesthetically enhance any mounting scenario



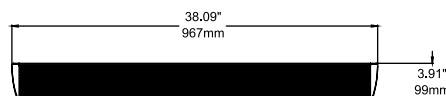
## WEATHER RESISTANT



## TECHNICAL DRAWINGS

For expanded product information and technical data visit [peerless-av.com](http://peerless-av.com)

TOP VIEW



FRONT VIEW



SIDE VIEW

To verify mount compatibility with any display or projector model use MountFinder™ at [peerless-av.com](http://peerless-av.com).CALL: 630-375-5100  
800-865-2112FAX: 630-820-8537  
800-359-6500E-MAIL:  
[info@peerless-av.com](mailto:info@peerless-av.com)ON-LINE:  
[peerless-av.com](http://peerless-av.com)

# Small Form Factor Electronics Enclosure

## ENVIRONMENTALLY CONTROLLED

1. Completely sealed enclosure protects electronic equipment against outdoor/harsh environments
2. Electrothermal system maintains a safe operating range inside the enclosure
3. Keeps electronic equipment safe in ambient temperatures of -40° F to 115° F
4. Supports electronic devices 14.2" x 10.6" x 3.5" (361 x 269 x 89mm)
5. Internal power receptacle minimizes number of outdoor cable and power runs
6. (3) Outlet Internal Electrical Strip

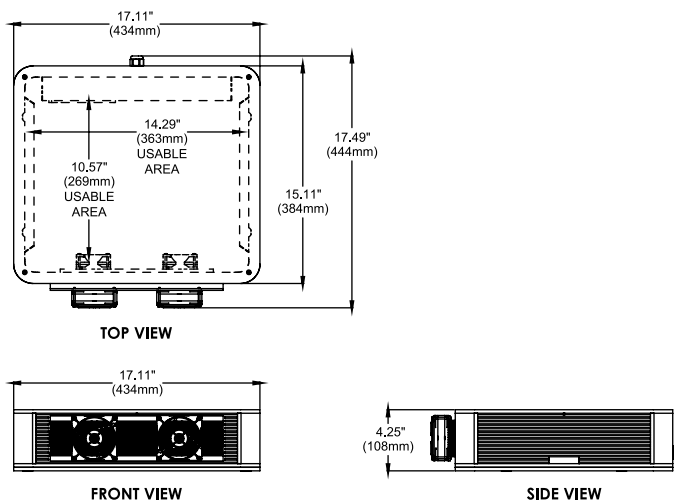


### WEATHER RESISTANT



For expanded product information and technical data visit [peerless-av.com](http://peerless-av.com)

### TECHNICAL DRAWINGS



### MODELS

#### Universal Models:

Includes standard hardware (hex or Phillips) for attaching display to mount

**CL-ENCL68** Black

### SPECIFICATIONS

#### Max Load

175lb (79kg)

#### Product Dimensions (W x H x D)

17.11" x 17.49" x 4.25"  
(434 x 444 x 108mm)

#### Ship Weight

25.85lb (11.75kg)

#### Specifications

Operating Temperature	-40° F to 115° F temperature range
Power	AC Input 100-240VAC, 50-60Hz

### CERTIFICATIONS



### ACCESSORIES

- CL-49PLC68-OB:**  
49" Xtreme™ Outdoor Daylight Readable Display - Landscape ..... pg# 10
- CLP-49PLC68-OB:**  
49" Xtreme™ Outdoor Daylight Readable Display - Portrait ..... pg# 10
- CL-55PLC68-OB:**  
55" Xtreme™ Outdoor Daylight Readable Display - Landscape ..... pg# 11
- CLP-55PLC68-OB:**  
55" Xtreme™ Outdoor Daylight Readable Display - Portrait ..... pg# 11

To verify mount compatibility with any display or projector model use MountFinder™ at [peerless-av.com](http://peerless-av.com).



CALL: 630-375-5100  
800-865-2112



FAX: 630-820-8537  
800-359-6500



E-MAIL:  
[info@peerless-av.com](mailto:info@peerless-av.com)



ON-LINE:  
[peerless-av.com](http://peerless-av.com)



## MODELS

## Universal Models:

Includes standard hardware (hex or Phillips) for attaching display to mount

**HDS-ATA100** Black

## SPECIFICATIONS

## Product Dimensions (W x H x D)

11.69" x 0.51" x 0.51"  
(297 x 13 x 13mm)

## Ship Weight

0.22lb (0.10kg)

## Specifications

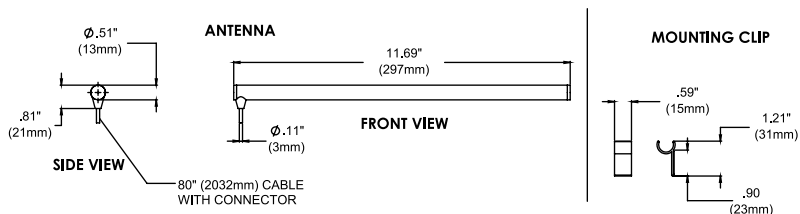
Range	40 miles
Cable Length	RG174 6'

## High Definition Over-The-Air Broadcast Antenna

1. Low-profile design enables this antenna to complement any environment
2. Self adhesive compression clips for multiple mounting options
3. Flexible coaxial cable with preterminated F connector
4. 40 mile range
5. Multi-directional polar pattern allows for multiple mounting orientations
6. Passive antenna eliminates the need for an external power source
7. Rugged fiberglass body



## TECHNICAL DRAWINGS

For expanded product information and technical data visit [peerless-av.com](http://peerless-av.com)To verify mount compatibility with any display or projector model use MountFinder™ at [peerless-av.com](http://peerless-av.com).CALL: 630-375-5100  
800-865-2112FAX: 630-820-8537  
800-359-6500E-MAIL:  
[info@peerless-av.com](mailto:info@peerless-av.com)ON-LINE:  
[peerless-av.com](http://peerless-av.com)



# Introducing the Industry's First Universal LED Wall Mounting System



- Slim, space-saving design
- Integrated cable managements allows for clean finish
- Scalable design enables custom installation

The possibilities are endless with the Peerless-AV Universal LED Wall Mounting System featuring four-corner depth adjustment points and an easy hang wall plate. Its universal design can be easily configured to support most LED brands and sizes by simply changing out display-specific adaptor plates. The Universal LED Wall Mounting System is the first and best LED wall mounting solution in the industry. **For more information visit [peerless-av.com](http://peerless-av.com).**

# SMARTMOUNT. SUPREME



## ***The King of All Video Wall Mounts***

We believe in treating our customers like royalty, and royalty shouldn't have to waste time servicing video walls. That's why the new SmartMount® Supreme Video Wall Mount has dual options for extending the displays for service. Whether recessed or on the wall, we've got you covered. Plus, it features a hassle-free cable management system that allows the cables to easily glide with the display's movement. You will be splendidly surprised at the new capabilities designed with you in mind. **Learn more on page 58.**



peerless-AV®



**SMARTMOUNT® VIDEO WALL**

**DS-VW650**  
SmartMount® Ultra Thin Flat Video Wall Mount  
For Ultra-thin Displays 40" or larger,  
up to 75lb (34kg) ..... pg# 50

**DS-VW665**  
SmartMount® Flat Video Wall Mount  
For 40" to 65" Displays ..... pg# 51

**DS-VW655-2X2**  
SmartMount® Flat Video Wall Mount, 2x2 Kit  
For 46" to 55" Displays ..... pg# 52

**DS-VW755S**  
SmartMount® Full Service Thin  
Video Wall Mount with Quick Release  
For 40" to 65" Displays ..... pg# 53

**DS-VW765-LAND**  
SmartMount® Full Service  
Video Wall Mount - Landscape  
For 40" to 65" Displays ..... pg# 54

**DS-VW765-POR**  
SmartMount® Full Service  
Video Wall Mount - Portrait  
For 42" to 65" Displays ..... pg# 55  
\*22" minimum display height

**DS-VW765-LQR**  
SmartMount® Full Service Video Wall Mount  
with Quick Release - Landscape  
For 46" to 65" Displays ..... pg# 56

**DS-VW765-PQR**  
SmartMount® Full Service Video Wall Mount  
with Quick Release - Portrait  
For 42" to 65" Displays ..... pg# 57  
\*22.25" minimum display height

**DS-VW775**  
SmartMount® Supreme  
Full Service Video Wall Mount  
For 46" to 60" Displays ..... pg# 58

**DS-VW795-QR**  
SmartMount® Full Service  
Video Wall Mount with Quick Release  
For 65" to 98" Displays ..... pg# 59

**DS-VWM770**  
SmartMount® Special Purpose  
Video Wall Mount  
For 46" to 70" Displays ..... pg# 60

**DS-C560-1X3**  
SmartMount® Portable Video Wall Cart  
For 46" to 60" Displays 1x3 Configuration ..... pg# 61

**DS-C560-2X2**  
SmartMount® Portable Video Wall Cart  
For 46" to 60" Displays 2x2 Configuration ..... pg# 61

**DS-C555-3X2**  
SmartMount® Portable Video Wall Cart  
For 46" to 55" Displays  
2x2 and 3x2 Configuration ..... pg# 62

**DS-C555-3X3**  
SmartMount® Portable Video Wall Cart  
For 46" to 55" Displays  
2x2, 3x2 and 3x3 Configuration ..... pg# 62

**DS-C555-4X2**  
SmartMount® Portable Video Wall Cart  
For 46" to 55" Displays  
2x2, 3x2 or 4x2 Configuration ..... pg# 63

**DS-C555-4X3**  
SmartMount® Portable Video Wall Cart  
For 46" to 55" Displays  
2x2, 3x2, 4x2 or 4x3 Configuration ..... pg# 63

**DS-S560-1X3**  
SmartMount® Modular Video Wall  
Pedestal Mount For 46" to 60" Displays  
1x3 Configuration ..... pg# 64



**SMARTMOUNT® VIDEO WALL**

.....continued

**DS-S560-2X2**  
SmartMount® Modular Video Wall  
Pedestal Mount For 46" to 60" Displays  
2x2 Configuration ..... pg# 64

**DS-S555-3X2**  
SmartMount® Modular Video Wall  
Pedestal Mount For 46" to 55" Displays  
3x2 Configuration ..... pg# 65

**DS-S555-3X3**  
SmartMount® Modular Video Wall  
Pedestal Mount For 46" to 55" Displays  
3x3 Configuration ..... pg# 65

**DS-S555-4X2**  
SmartMount® Modular Video Wall  
Pedestal Mount For 46" to 55" Displays  
4x2 Configuration ..... pg# 66

**DS-S555-4X3**  
SmartMount® Modular Video Wall  
Pedestal Mount For 46" to 55" Displays  
4x3 Configuration ..... pg# 66

**DS-S560-B2X2**  
SmartMount® Back-to-Back  
Modular Video Wall Pedestal Mount  
For 46" to 60" Displays  
2x2 Configuration ..... pg# 67

**DS-VWT955-2X2**  
SmartMount® Video Wall Ceiling Mount  
For 40" to 55" Displays  
2x2 Configuration ..... pg# 68

**EDS-VW765-LAND**  
Outdoor Full Service  
Video Wall Mount - Landscape  
For 40" to 55" Displays ..... pg# 69



**SMARTMOUNT® MENU BOARD**

**DS-MBZ642L**  
SmartMount® Digital Menu Board Mount  
With Height & Depth Adjustment - Landscape  
For 40" to 42" Displays ..... pg# 70

**DS-MBZ647L**  
SmartMount® Digital Menu Board Mount  
With Height & Depth Adjustment - Landscape  
For 46" to 48" Displays ..... pg# 70

**DS-MBZ647P**  
SmartMount® Digital Menu Board Mount  
With Height & Depth Adjustment - Portrait  
For 42" to 48" Displays ..... pg# 70

**DS-MBZ942L-2X1**  
SmartMount® Digital Menu Board Ceiling  
Mount with 8pt Adjustment - Landscape  
2x1 Configuration for 40" to 42" Displays ..... pg# 71

**DS-MBZ947L-2X1**  
SmartMount® Digital Menu Board Ceiling  
Mount with 8pt Adjustment - Landscape  
2x1 Configuration for 46" to 48" Displays ..... pg# 71

**DS-MBZ942L-3X1**  
SmartMount® Digital Menu Board Ceiling  
Mount with 8pt Adjustment - Landscape  
3x1 Configuration for 40" to 42" Displays ..... pg# 72

**DS-MBZ947L-3X1**  
SmartMount® Digital Menu Board Ceiling  
Mount with 8pt Adjustment - Landscape  
3x1 Configuration for 46" to 48" Displays ..... pg# 72



CALL: 630-375-5100  
800-865-2112



FAX: 630-820-8537  
800-359-6500



E-MAIL:  
info@peerless-av.com



ONLINE:  
peerless-av.com

# Ultra Thin Flat Video Wall Mount

For Ultra-thin Displays 40" or larger, up to 75lb (34kg)

## MODELS

### Universal Models:

Includes theft resistant hardware for attaching display to mount

**DS-VW650** Black

## DISPLAY ADAPTOR



### VESA® Pattern

Universal Models: In 100mm increments, starting at 200 x 200 up to 600 x 400mm

## SPECIFICATIONS



### Distance from Wall

0.69" (18mm)



### Max Load

75lb (34kg)

### Product Dimensions (W x H x D)

35.00" x 20.18" x 0.69"  
(889 x 513 x 18mm)

### Mounting Surfaces

Wood stud, solid concrete, cinder/breeze block

### Ship Weight

16lb (7.3kg)

## CERTIFICATIONS



## ACCESSORIES



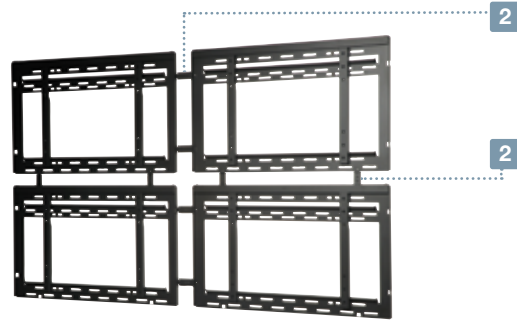
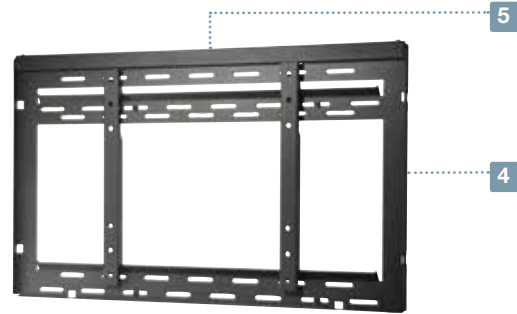
**DS-VWSxxx:**  
Wall Plate Alignment Spacers



**ACC-V600800:**  
Adaptor accessory for 800 x 400mm mounting patterns

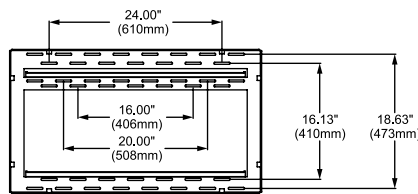
Contact Peerless-AV Customer Care for more information.

1. Unique modular design offers unlimited video wall display configurations
2. Display specific wall plate spacers eliminate the guesswork and on-site installation calculations
3. Simple horizontal adjustment makes aligning screens quick and easy
4. Ultra-thin design provides streamlined video wall profiles
5. Durable locking rail holds the display ensuring a safe and secure installation
6. Includes security hardware that helps deter tampering and theft
7. All necessary mounting hardware included
8. Allows ultra thin displays to meet ADA requirement, which states display face must extend no more than 4" (102mm) off the wall

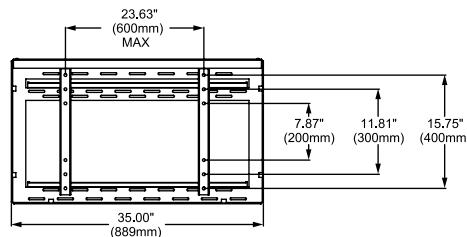


## TECHNICAL DRAWINGS

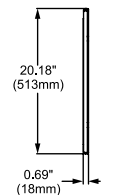
For expanded product information and technical data visit [peerless-av.com](http://peerless-av.com)



WALL PLATE



FRONT VIEW



SIDE VIEW

To verify mount compatibility with any display or projector model use MountFinder™ at [peerless-av.com](http://peerless-av.com).



CALL: 630-375-5100  
800-865-2112



FAX: 630-820-8537  
800-359-6500



E-MAIL: [info@peerless-av.com](mailto:info@peerless-av.com)

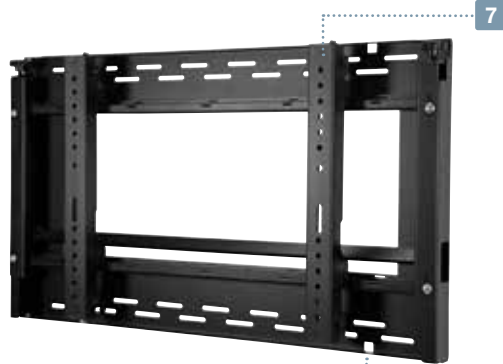


ON-LINE: [peerless-av.com](http://peerless-av.com)

# SMARTMOUNT. Flat Video Wall Mount

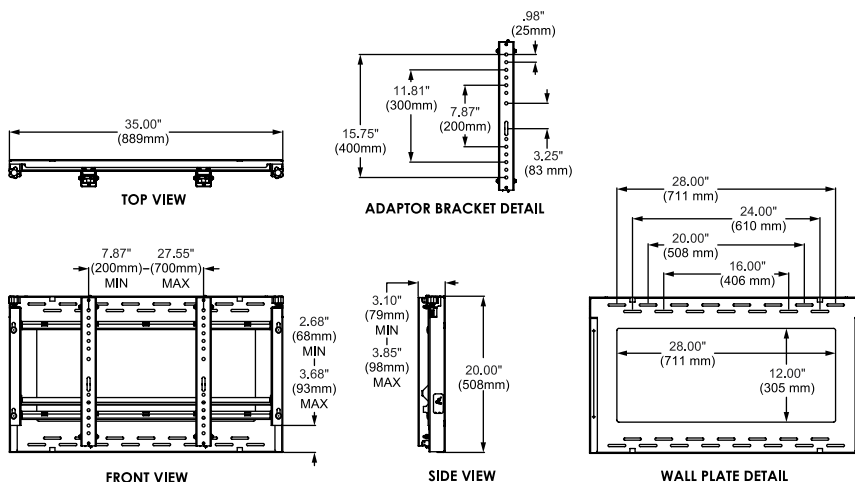
For 40" to 65" Displays

1. Modular mount for unlimited video wall display configuration
2. Toolless micro adjustment at 8 points seamlessly align the displays
3. Custom wall plate spacers eliminate the guesswork and on-site installation calculations
4. Integrated cable management tie-backs make display-to-display cabling simple
5. Displays and mounts sit flush against the wall for a clean profile
6. Included security hardware deters tampering and theft
7. Adjustable VESA® mounting patterns from 200 x 200 up to 700 x 400mm, PLP compatible



For expanded product information and technical data visit [peerless-av.com](http://peerless-av.com)

## TECHNICAL DRAWINGS



To verify mount compatibility with any display or projector model use MountFinder™ at [peerless-av.com](http://peerless-av.com).



CALL: 630-375-5100  
800-865-2112



FAX: 630-820-8537  
800-359-6500



E-MAIL: [info@peerless-av.com](mailto:info@peerless-av.com)



ON-LINE: [peerless-av.com](http://peerless-av.com)

## VIDEO WALL & MENU BOARD MOUNTS



SMARTMOUNT.  
VIDEO WALL

## MODELS

### Universal Models:

Includes theft resistant hardware for attaching display to mount  
**DS-VW665** Black

## DISPLAY ADAPTOR



### VESA® Pattern

Universal Models: 200 x 200 up to 700 x 400mm  
Non-VESA® compatible displays require PLP adaptor plate to be purchased separately.

## SPECIFICATIONS



### Distance from Wall

3.10"-3.85" (79-98mm)



### Max Load

125lb (57kg)

### Product Dimensions (W x H x D)

35.00" x 20.00" x 3.10"-3.85"  
(889 x 508 x 79-98mm)

### Mounting Surfaces

Wood stud, concrete and cinder/breeze block

### Ship Weight

30.5lb (14kg)

## CERTIFICATIONS

**RoHS**  
COMPLIANT

## ACCESSORIES



### DS-VWSxxx:

Wall Plate Alignment Spacers  
Contact Peerless-AV Customer Care for display-specific models.



### ACC-V600800:

Adaptor accessory for 800 x 400mm mounting patterns

Contact Peerless-AV Customer Care for more information.



### PLP-V models:

Dedicated Adaptor Plates ..pg# 155,232



MODELS

Universal Models:

Includes theft resistant hardware for attaching display to mount  
**DS-VW655-2X2** Black

DISPLAY ADAPTOR

**Mounting Pattern (W x H)**  
 Universal Models: 1886 x 1137mm (74.25" x 44.75")

SPECIFICATIONS

**Distance from Wall**  
 2.33" (59mm)

**Max Load**  
 600lb (272kg)

**Product Dimensions (W x H x D)**  
 78.38" x 41.11" x 2.33"  
 (1991 x 1044 x 59mm)

**Mounting Surfaces**  
 Plywood, wood stud, cinder/  
 breeze block and concrete

**Ship Weight**  
 72.2lb (32.8kg)

CERTIFICATIONS



ACCESSORIES



**ACC-V600800:**  
 Adaptor accessory for 800 x 400mm  
 mounting patterns

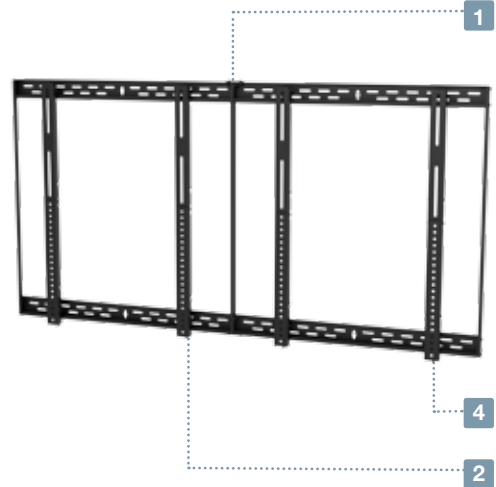
Contact Peerless-AV Customer Care  
 for more information.

SMARTMOUNT.

Flat Video Wall Mount, 2x2 Kit

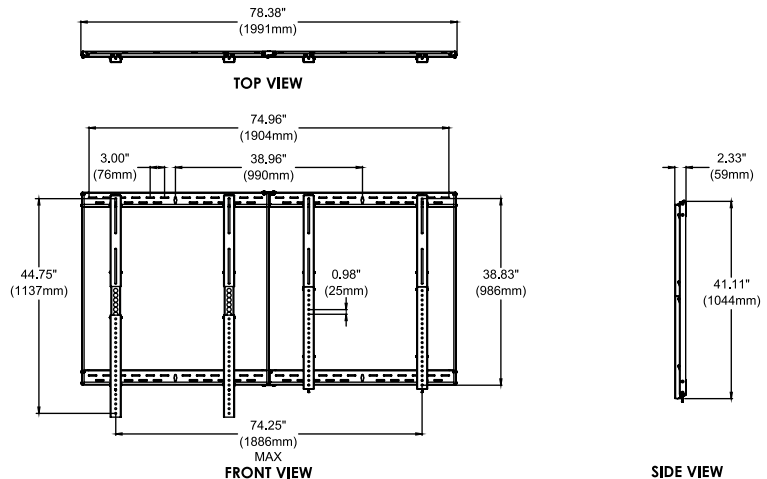
For 46" to 55" Displays

1. 2x2 video wall mounting kit
2. Horizontal adjustment makes mounting and aligning displays quick and easy
3. Compatible with most narrow bezel video wall displays in the 46" to 55" range
4. Included security screws deter tampering and theft
5. Thin design measures just 2.33" (59mm) deep
6. Compact packaging for ease of shipment



TECHNICAL DRAWINGS

For expanded product information and technical data visit [peerless-av.com](http://peerless-av.com)



To verify mount compatibility with any display or projector model use MountFinder™ at [peerless-av.com](http://peerless-av.com).



CALL: 630-375-5100  
 800-865-2112



FAX: 630-820-8537  
 800-359-6500



E-MAIL: [info@peerless-av.com](mailto:info@peerless-av.com)

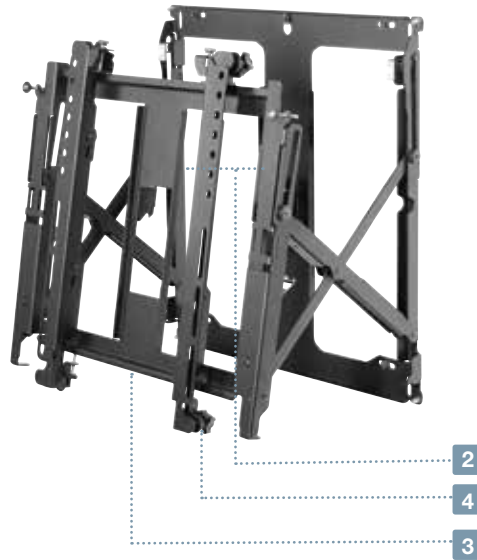


ON-LINE: [peerless-av.com](http://peerless-av.com)

# Full Service Thin Video Wall Mount with Quick Release

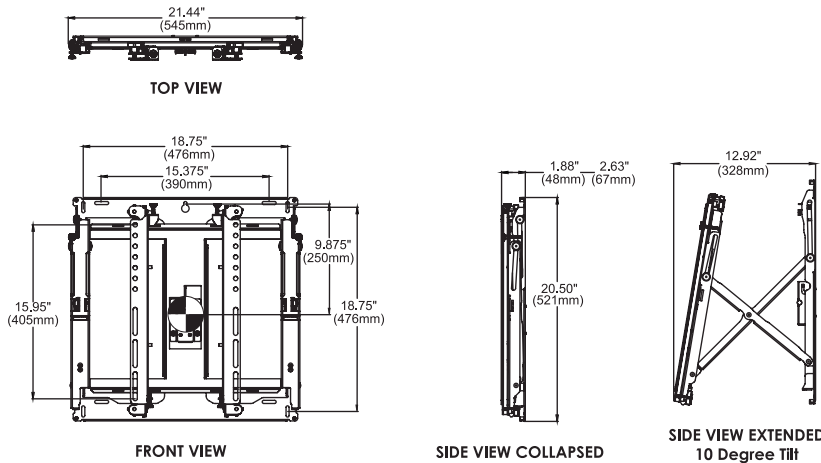
For 46" to 65" Displays

1. Offers ADA compliance when mounting displays measuring  $\leq 2.0"$  deep
2. Quick release pop out mechanism provides convenient display access in recessed applications
3. Display extends into a negative tilt position for ease of service
4. Toolless micro-adjustments at 8 points allows the mount to overcome uneven walls to create a seamless video wall display
5. Accommodates displays in landscape and portrait orientation
6. Reusable custom wall plate spacers eliminate the guesswork and on-site installation calculations



For expanded product information and technical data visit [peerless-av.com](http://peerless-av.com)

## TECHNICAL DRAWINGS



## MODELS

### Universal Models:

Includes theft resistant hardware for attaching display to mount  
**DS-VW755S**

## DISPLAY ADAPTOR



### VESA® Pattern

Universal Models: 200 x 200 up to 400 x 400mm

## SPECIFICATIONS



### Distance from Wall

1.88"-2.63" (48-67mm)



### Max Load

80lb (36.4kg)

### Product Dimensions (W x H x D)

21.44" x 20.50" x 1.88"-2.63"  
(545 x 521 x 48-67mm)

### Mounting Surfaces

Wood stud and plywood

### Ship Weight

25.4lb (11.5kg)

## CERTIFICATIONS



**RoHS**  
2002/95/EC

## ACCESSORIES



### ACC-V800X:

Adaptor accessory for 600 x 400 and 800 x 400mm mounting patterns



### ACC-DHK:

Display handling kit



### ACC-DHP6:

Display handling kit replacement pads - 6pk



### ACC-V600800:

Ultra thin VESA® 600 x 400mm adaptor

### DS-VWRSxxx:

Reusable display dedicated spacers

Contact Peerless-AV Customer Care for more information.

To verify mount compatibility with any display or projector model use MountFinder™ at [peerless-av.com](http://peerless-av.com).



CALL: 630-375-5100  
800-865-2112



FAX: 630-820-8537  
800-359-6500



E-MAIL:  
[info@peerless-av.com](mailto:info@peerless-av.com)



ON-LINE:  
[peerless-av.com](http://peerless-av.com)

# Full Service Video Wall Mount - Landscape

For 40" to 65" Displays

## MODELS

### Universal Models:

Includes theft resistant and standard hardware



**DS-VW765-LAND** Black

## DISPLAY ADAPTOR

### VESA® Pattern

**Universal Models:** In 100mm increments, starting at 200 x 200 up to 700 x 400mm  
 Non-VESA® compatible displays require PLP adaptor plate to be purchased separately.

## SPECIFICATIONS

	<b>Distance from Wall</b>	3.08"-3.83" (78-97mm)
	<b>Max Load</b>	125lb (56.8kg)
<b>Product Dimensions (W x H x D)</b>		35.00" x 20.00" x 3.08"-3.83" (890 x 508 x 78-97mm)
<b>Mounting Surfaces</b>		Wood stud and plywood
<b>Ship Weight</b>		37.95lb (17.25kg)

## CERTIFICATIONS



## ACCESSORIES



**DS-VWSxxx:**  
Wall Plate Alignment Spacers  
Contact Peerless-AV Customer Care for display-specific models.



**DS-ACC770:**  
Media Player Mounting Bracket



**DS-ACC765:**  
Cable Release Kit for recessed wall applications



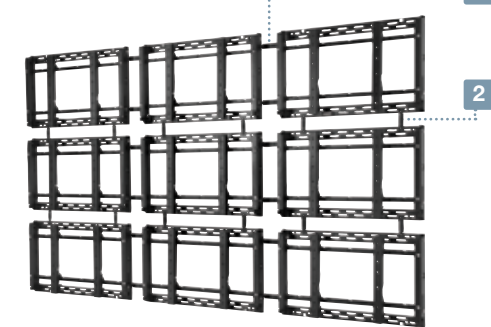
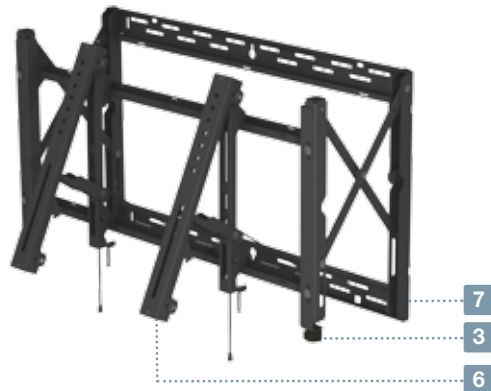
**ACC-V600800:**  
Adaptor accessory for 800 x 400mm mounting patterns

Contact Peerless-AV Customer Care for more information.



**PLP-V models:**  
Dedicated Adaptor Plates ..pg# 155, 232

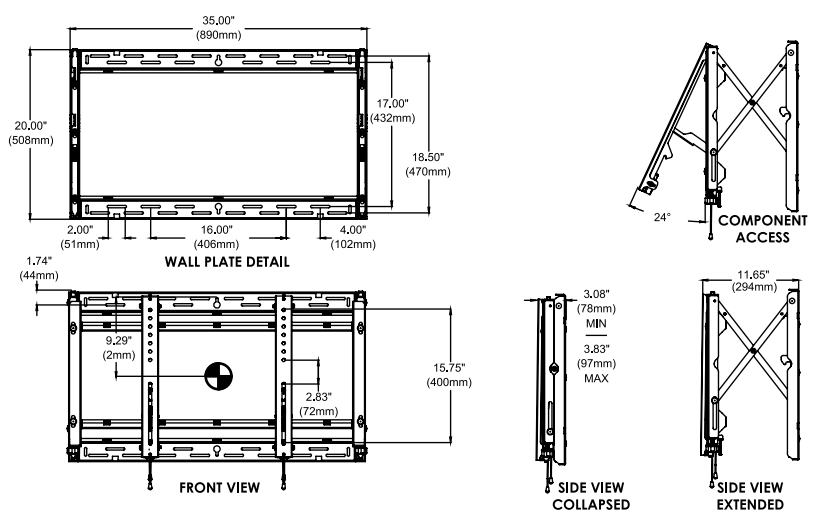
1. Modular mount for unlimited video wall display configurations
2. Display specific wall plate spacers eliminate the guesswork and on-site installation calculations
3. 8 points of toolless micro adjustments align the displays
4. Displays click securely into place
5. Displays sit flush against the wall for a clean appearance on all sides
6. Pull-out/prop-open mechanism provides quick service access
7. Integrated cable management tie-backs make cabling simple
8. Includes security hardware that helps deter tampering and theft
9. VESA® mounting hole patterns from 200 x 200mm up to 700 x 400mm in 100mm increments. Additional patterns supported with adaptor plates.



Please visit [peerless-av.com/en-us/patents](http://peerless-av.com/en-us/patents) for patent information.

## TECHNICAL DRAWINGS

For expanded product information and technical data visit [peerless-av.com](http://peerless-av.com)



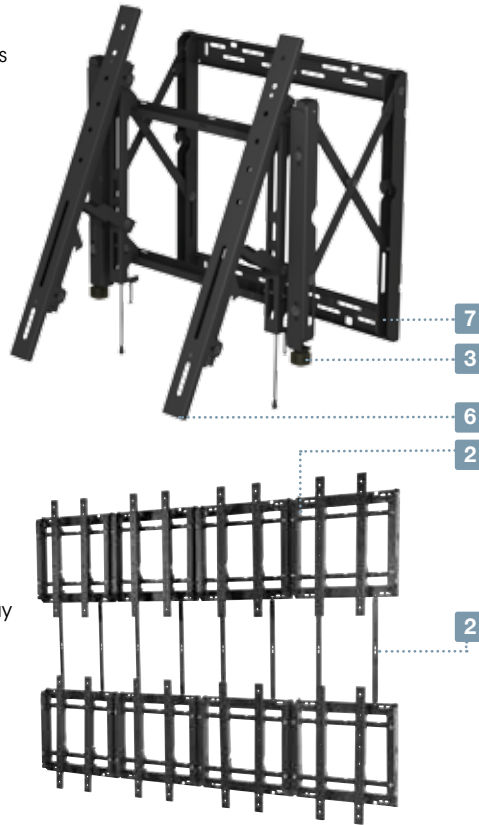
To verify mount compatibility with any display or projector model use MountFinder™ at [peerless-av.com](http://peerless-av.com).



# Full Service Video Wall Mount - Portrait

For 42" \* to 65" Displays

1. Modular mount for unlimited video wall display configurations
2. Display specific wall plate spacers eliminate the guesswork and on-site installation calculations
3. 8 points of toolless micro adjustments align the displays
4. Displays click securely into place against the wall with spring-loaded mechanism
5. Displays and mounts sit flush against the wall for a clean side appearance
6. Pull-out/prop-open mechanism provides quick service access
7. Integrated cable management tie-backs make display-to-display cabling simple
8. Includes security hardware that helps deter tampering and theft
9. VESA® mounting hole patterns from 200 x 200mm up to 400 x 600mm in 100mm increments. Additional patterns supported with adaptor plates.



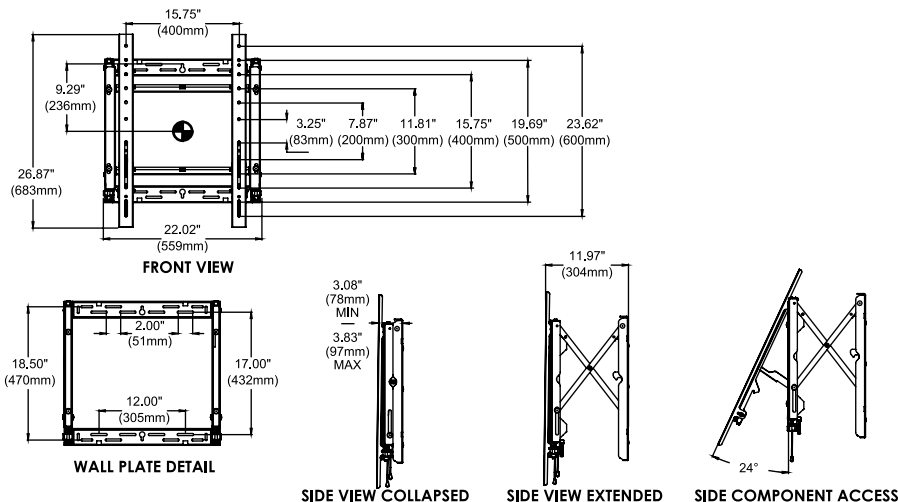
\*22" minimum display height

Please visit [peerless-av.com/en-us/patents](http://peerless-av.com/en-us/patents) for patent information.



For expanded product information and technical data visit [peerless-av.com](http://peerless-av.com)

## TECHNICAL DRAWINGS



To verify mount compatibility with any display or projector model use MountFinder™ at [peerless-av.com](http://peerless-av.com).

CALL: 630-375-5100  
800-865-2112

FAX: 630-820-8537  
800-359-6500

E-MAIL: [info@peerless-av.com](mailto:info@peerless-av.com)

ON-LINE: [peerless-av.com](http://peerless-av.com)



## MODELS

### Universal Models:

Includes theft resistant and standard hardware

**DS-VW765-POR** Black

## DISPLAY ADAPTOR



### VESA® Pattern

Universal Models: In 100mm increments, starting at 200 x 200 up to 400 x 600mm  
Non-VESA® compatible displays require PLP adaptor plate to be purchased separately.

## SPECIFICATIONS



### Distance from Wall

3.08"-3.83" (78-97mm)



### Max Load

125lb (57kg)

### Product Dimensions (W x H x D)

22.02" x 26.87" x 3.08"-3.83"  
(559 x 683 x 78-97mm)

### Mounting Surfaces

Wood stud and plywood

### Ship Weight

32.6lb (14.8kg)

## CERTIFICATIONS



## ACCESSORIES



**DS-VWSxxx-P:**  
Wall Plate Alignment Spacers  
Contact Peerless-AV Customer Care for display-specific models.



**DS-ACC770:**  
Media Player Mounting Bracket



**DS-ACC765:**  
Cable Release Kit  
for recessed wall applications



**ACC-V800X:**  
Adaptor accessory for 600 x 400 and 800 x 400mm mounting patterns

Contact Peerless-AV Customer Care for more information.



**PLP-V models:**  
Dedicated Adaptor Plates . . pg# 155, 232

# Full Service Video Wall Mount with Quick Release - Landscape

For 46" to 65" Displays

## MODELS

### Universal Models:

Includes theft resistant and standard hardware

**DS-VW765-LQR** Black

## DISPLAY ADAPTOR



### VESA® Pattern

Universal Models: 200 x 200 up to 700 x 400mm

## SPECIFICATIONS



### Distance from Wall

3.08"-3.83" (78-97mm)



### Max Load

125lb (56.8kg)

### Product Dimensions (W x H x D)

35.59" x 21.37" x 3.08"-3.83"  
(904 x 543 x 78-97mm)

### Mounting Surfaces

Wood stud and plywood

### Ship Weight

39lb (17.6kg)

## CERTIFICATIONS



## ACCESSORIES



**DS-VWSxxx:**  
Wall Plate Alignment Spacers  
Contact Peerless-AV Customer Care for display-specific models.



**DS-ACC770:**  
Media Player Mounting Bracket



**ACC-V600800:**  
Adaptor accessory for 800 x 400mm mounting patterns



**ACC-DHK:**  
Display handling kit



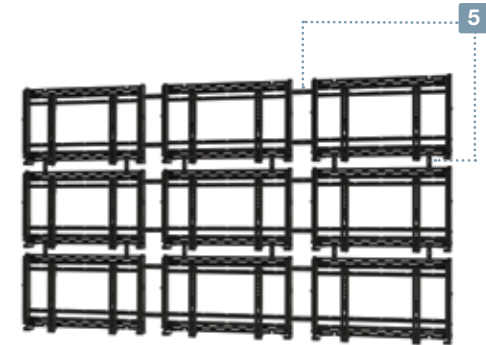
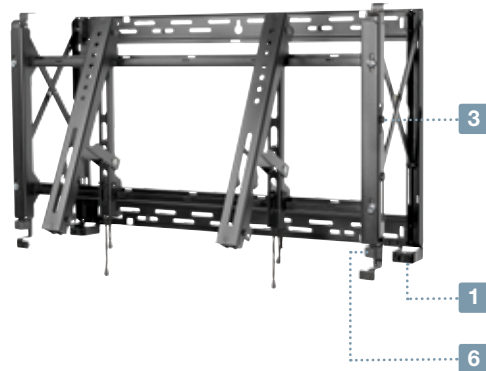
**ACC-DHP6:**  
Display handling kit replacement pads - 6pk

Contact Peerless-AV Customer Care for more information.



**PLP-V models:**  
Dedicated Adaptor Plates ..pg# 155, 232

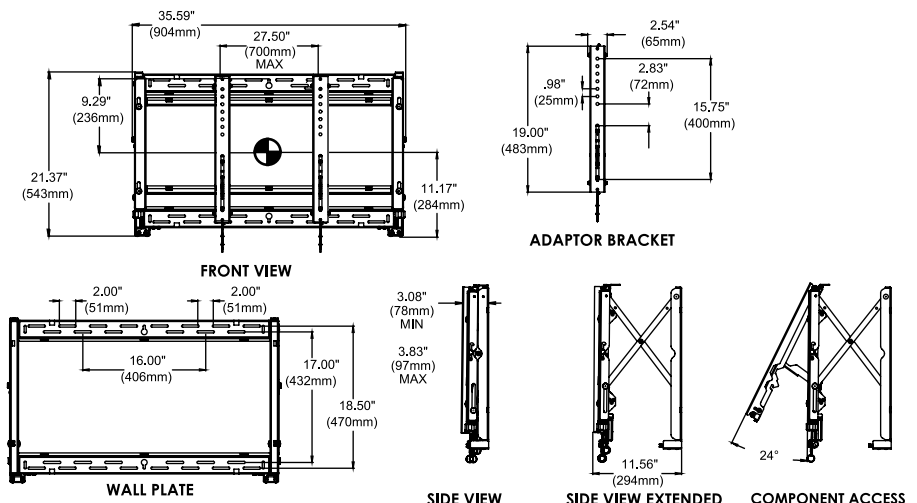
1. Quick release pop out mechanism provides convenient display access in recessed applications
2. Quick release can be disabled with a locking screw to prevent unintentional pop-outs
3. Carriage extension force can be adjusted to accommodate the weight of the display, allowing the quick release to activate with gentle force
4. Modular mount for unlimited video wall display configurations
5. Custom wall plate spacers eliminate the guesswork and on-site installation calculations
6. Toolless micro-adjustments at 8 points allows the mount to overcome uneven walls to create a seamless video wall display
7. Pull-out/prop-open mechanism provides quick service access
8. Integrated cable management tie-backs make display-to-display cabling simple



Please visit [peerless-av.com/en-us/patents](http://peerless-av.com/en-us/patents) for patent information.

## TECHNICAL DRAWINGS

For expanded product information and technical data visit [peerless-av.com](http://peerless-av.com)



To verify mount compatibility with any display or projector model use MountFinder™ at [peerless-av.com](http://peerless-av.com).



CALL: 630-375-5100  
800-865-2112



FAX: 630-820-8537  
800-359-6500



E-MAIL: [info@peerless-av.com](mailto:info@peerless-av.com)

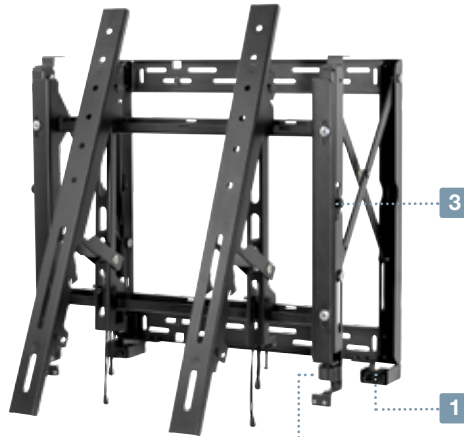


ON-LINE: [peerless-av.com](http://peerless-av.com)

# Full Service Video Wall Mount with Quick Release - Portrait

For 42" \* to 65" Displays

1. Quick release pop out mechanism provides convenient display access in recessed applications
2. Quick release can be disabled with a locking screw to prevent unintentional pop-outs
3. Carriage extension force can be adjusted to accommodate the weight of the display, allowing the quick release to activate with gentle force
4. Modular mount for unlimited video wall display configurations
5. Custom wall plate spacers eliminate the guesswork and on-site installation calculations
6. Toolless micro-adjustments at 8 points allows the mount to overcome uneven walls to create a seamless video wall display
7. Pull-out/prop-open mechanism provides quick service access
8. Integrated cable management tie-backs make display-to-display cabling simple

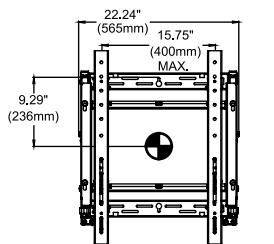


\*22.25" minimum display height

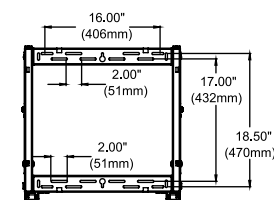
Please visit [peerless-av.com/en-us/patents](http://peerless-av.com/en-us/patents) for patent information.

For expanded product information and technical data visit [peerless-av.com](http://peerless-av.com)

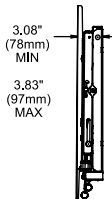
## TECHNICAL DRAWINGS



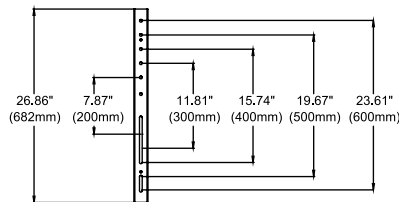
FRONT VIEW



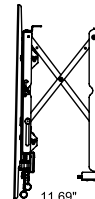
WALL PLATE



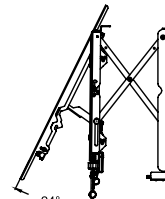
SIDE VIEW



ADAPTOR BRACKET



SIDE VIEW EXTENDED



COMPONENT ACCESS



## MODELS

### Universal Models:

Includes theft resistant and standard hardware

**DS-VW765-PQR** Black

## DISPLAY ADAPTOR



### VESA® Pattern

Universal Models: 200 x 200 up to 400 x 600mm

## SPECIFICATIONS



### Distance from Wall

3.08"-3.83" (78-97mm)



### Max Load

125lb (57kg)

### Product Dimensions (W x H x D)

22.24" x 26.86" x 3.08"-3.83"  
(565 x 682 x 78-97mm)

### Mounting Surfaces

Wood stud and plywood

### Ship Weight

33.75lb (15.3kg)

## CERTIFICATIONS

**RoHS**

## ACCESSORIES



### DS-VWSxxx-P:

Wall Plate Alignment Spacers  
Contact Peerless-AV Customer Care for display-specific models.



### ACC-V800X:

Adaptor accessory for 600 x 400 and 800 x 400mm mounting patterns



### DS-ACC770:

Media Player Mounting Bracket



### ACC-DHK:

Display handling kit



### ACC-DHP6:

Display handling kit replacement pads - 6pk

Contact Peerless-AV Customer Care for more information.



### PLP-V models:

Dedicated Adaptor Plates ..pg# 155, 232

To verify mount compatibility with any display or projector model use MountFinder™ at [peerless-av.com](http://peerless-av.com).



CALL: 630-375-5100  
800-865-2112



FAX: 630-820-8537  
800-359-6500



E-MAIL:  
[info@peerless-av.com](mailto:info@peerless-av.com)



ON-LINE:  
[peerless-av.com](http://peerless-av.com)



MODELS

Universal Models:

Includes theft resistant and standard hardware

**DS-VW775** Black

DISPLAY ADAPTOR



VESA® Pattern

Universal Models: 200 x 200 up to 400 x 400mm

SPECIFICATIONS



Distance from Wall

3.90" (99mm)



Max Load

125lb (56.8kg)

Product Dimensions (W x H x D)

21.25" x 21.25" x 3.90"-14.02"  
(540 x 540 x 99-356mm)

Mounting Surfaces

Wood stud and plywood

Ship Weight

30lb (13.6kg)

CERTIFICATIONS



ACCESSORIES



**DS-VWRSxxx:**  
Reusable Display Dedicated Spacers  
Contact Peerless-AV Customer Care  
for display-specific models.



**ACC-V800X:**  
Adaptor for VESA® 600 x 400 and  
800 x 400mm mounting patterns



**ACC-V600800:**  
Ultra Thin VESA® 600 x 400mm Adaptor



**ACC-QRL:**  
Quick Release Accessory - Landscape



**ACC-QRP:**  
Quick Release Accessory - Portrait



**ACC-DHK:**  
Display handling kit



**ACC-DHP6:**  
Display handling kit  
replacement pads - 6pk

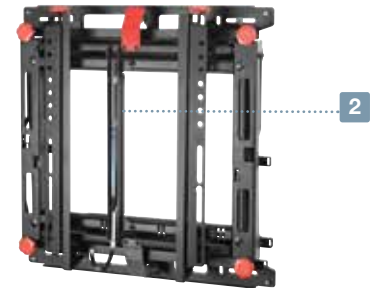
Contact Peerless-AV Customer Care  
for more information.

SMARTMOUNT.

Supreme Full Service Video Wall Mount

For 46" to 60" Displays

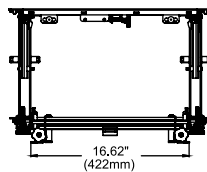
1. Convenient service pop-out quickly releases the mount for service with a simple turn of the lever
2. Quick release accessory releases a recessed display for service without pressing on the front of the display
3. Modular mount for unlimited video wall display configurations
4. Reusable custom wall spacers eliminate guesswork and on-site installation calculations
5. No tools required for micro-adjustment 1.5" of travel on each x, y and z axis
6. Accommodates displays in landscape and portrait orientation
7. Easy hang wall plate compatible with the Peerless-AV install app for a simplified install
8. Integrated cable management allow cables to move in and out with the display



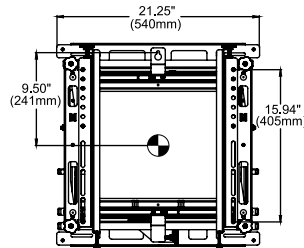
Please visit [peerless-av.com/en-us/patents](http://peerless-av.com/en-us/patents) for patent information.

TECHNICAL DRAWINGS

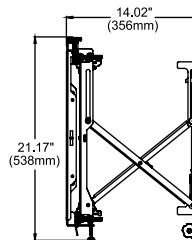
For expanded product information and technical data visit [peerless-av.com](http://peerless-av.com)



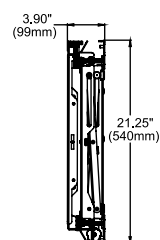
TOP VIEW



FRONT VIEW



SIDE VIEW EXTENDED



SIDE VIEW COLLAPSED

To verify mount compatibility with any display or projector model use MountFinder™ at [peerless-av.com](http://peerless-av.com).



CALL: 630-375-5100  
800-865-2112



FAX: 630-820-8537  
800-359-6500



E-MAIL: [info@peerless-av.com](mailto:info@peerless-av.com)



ON-LINE: [peerless-av.com](http://peerless-av.com)

# Full Service Video Wall Mount with Quick Release

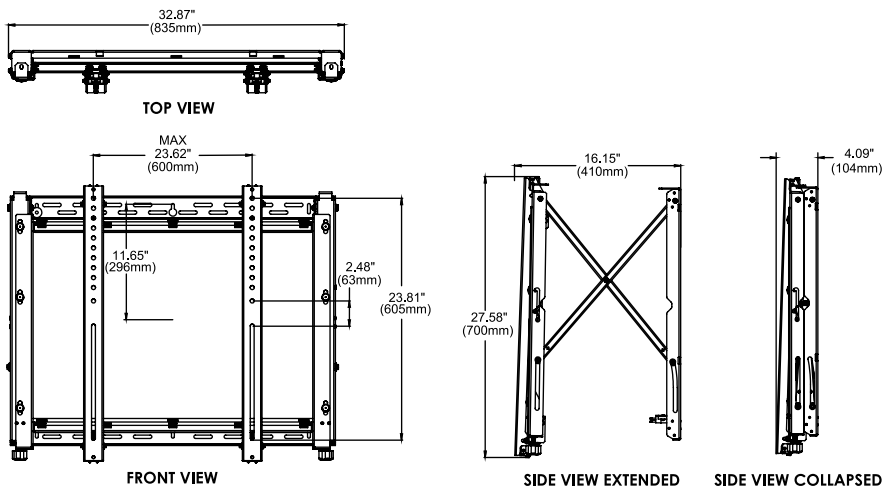
For 65" to 98" Displays

1. Quick release pop out mechanism provides convenient display access in recessed applications
2. Quick release can be disabled with a locking screw to prevent unintentional pop-outs
3. Carriage extension force can be adjusted to accommodate the weight of the display, allowing the quick release to activate with gentle force
4. Toolless micro-adjustments at 8 points allows the mount to overcome uneven walls to create a seamless video wall display
5. Accommodates displays in landscape and portrait orientation
6. Reusable custom wall plate spacers eliminate the guesswork and on-site installation calculations
7. Modular mount for unlimited video wall display configurations
8. Integrated cable management tie-backs make display-to-display cabling simple



For expanded product information and technical data visit [peerless-av.com](http://peerless-av.com)

## TECHNICAL DRAWINGS



## MODELS

### Universal Models:

Includes theft resistant hardware for attaching display to mount  
**DS-VW795-QR** Black

## DISPLAY ADAPTOR



### VESA® Pattern

Universal Models: 200 x 200 up to 600 x 600mm

## SPECIFICATIONS



### Distance from Wall

3.68"-4.09" (93-104mm)



### Max Load

225lb (102kg)

### Product Dimensions (W x H x D)

32.87" x 27.58" x 3.68"-4.09"  
(835 x 700 x 93-104mm)

### Mounting Surfaces

Wood stud, solid concrete and cinder/breeze block

### Ship Weight

43lb (19.5kg)

## CERTIFICATIONS

**RoHS**

## ACCESSORIES



### ACC-V800X:

Adaptor accessory for 600 x 400 and 800 x 400mm mounting patterns



### ACC-V900X:

Adaptor accessory for 800 x 400 and 900 x 600mm mounting patterns



### ACC-DHK:

Display handling kit



### ACC-DHP6:

Display handling kit replacement pads - 6pk

Contact Peerless-AV Customer Care for more information.

To verify mount compatibility with any display or projector model use MountFinder™ at [peerless-av.com](http://peerless-av.com).



CALL: 630-375-5100  
800-865-2112



FAX: 630-820-8537  
800-359-6500



E-MAIL: [info@peerless-av.com](mailto:info@peerless-av.com)



ON-LINE: [peerless-av.com](http://peerless-av.com)

# Special Purpose Video Wall Mount

For 46" to 70" Displays



## MODELS

### Universal Models:

Includes theft resistant hardware for attaching display to mount  
**DS-VWM770** Black

## DISPLAY ADAPTOR



### VESA® Pattern

Universal Models: 300 x 300, 400 x 200,  
400 x 300, 400 x 400,  
600 x 400mm

## SPECIFICATIONS



### Distance from Wall

4.45"-12.95" (113-329mm)



### Swivel | Roll

±45° | ±1°



### Max Load

125lb (56kg)

### Product Dimensions (W x H x D)

26.94" x 18.79" x 4.45"-12.95"  
(684 x 477 x 113-329mm)

### Mounting Surfaces

Wood stud, solid concrete  
and cinder/breeze block

### Ship Weight

42.5lb (19.3kg)

## CERTIFICATIONS



## ACCESSORIES



### ACC-V600800:

Adaptor accessory for 800 x 400mm  
mounting patterns



### ACC-DHK:

Display handling kit



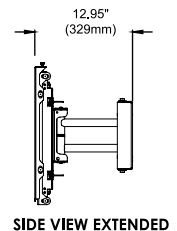
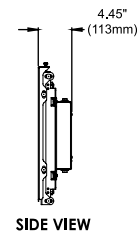
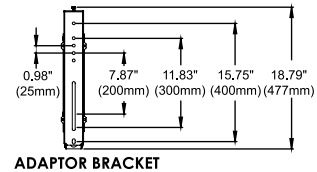
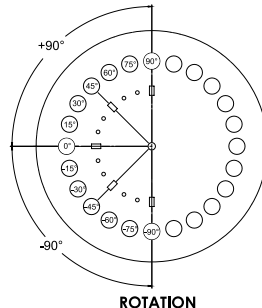
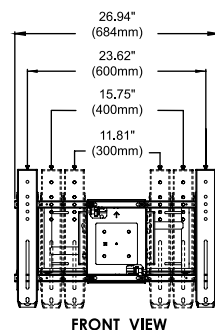
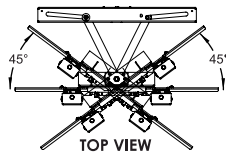
### ACC-DHP6:

Display handling kit  
replacement pads - 6pk

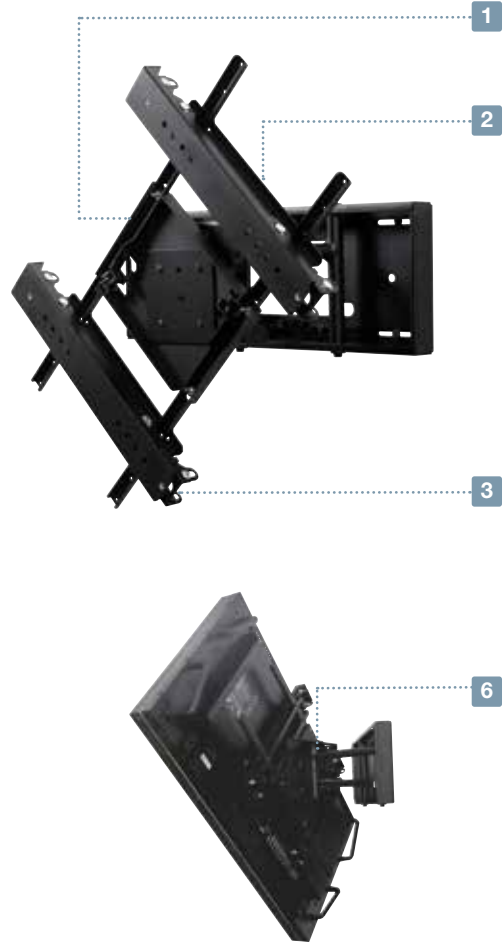
Contact Peerless-AV Customer Care  
for more information.

## TECHNICAL DRAWINGS

For expanded product information and technical data visit [peerless-av.com](http://peerless-av.com)



1. Display attaches to the mount in 15° increments from 0° – 360° providing designers with endless creative possibilities
2. Display extends from the wall allowing the user to easily service the video wall
3. Ten points of micro adjustment provide precise video wall alignment
4. Includes security lock out screw to eliminate pull-out ability
5. Accommodates VESA® mounting patterns of 300 x 300, 400 x 200, 400 x 300, 400 x 400, 600 x 400mm
6. Offers up to 90° of swivel for convenient rear access when extended from the wall



To verify mount compatibility with any display or projector model use MountFinder™ at [peerless-av.com](http://peerless-av.com).



CALL: 630-375-5100  
800-865-2112



FAX: 630-820-8537  
800-359-6500



E-MAIL:  
[info@peerless-av.com](mailto:info@peerless-av.com)



ON-LINE:  
[peerless-av.com](http://peerless-av.com)

# Portable Video Wall Cart

For 46" to 60" Displays

1. Modular design can be utilized for multiple configurations with a single SKU
2. Toolless micro adjustment at 8 points seamlessly align the displays
3. Lockable 5" casters enable safe and easy maneuverability over various flooring surfaces
4. Cable management through rear adjustable cable centralizing brackets
5. Designed for quick set-up and teardown
6. Adaptors feature a quick connect latch for automatic engagement with the mounting rails and ease of set-up
7. Rear media storage shelf and cover stores components while maintaining a clean appearance
8. Aluminum frame reduces the overall weight and shipping costs

DS-C560-1X3

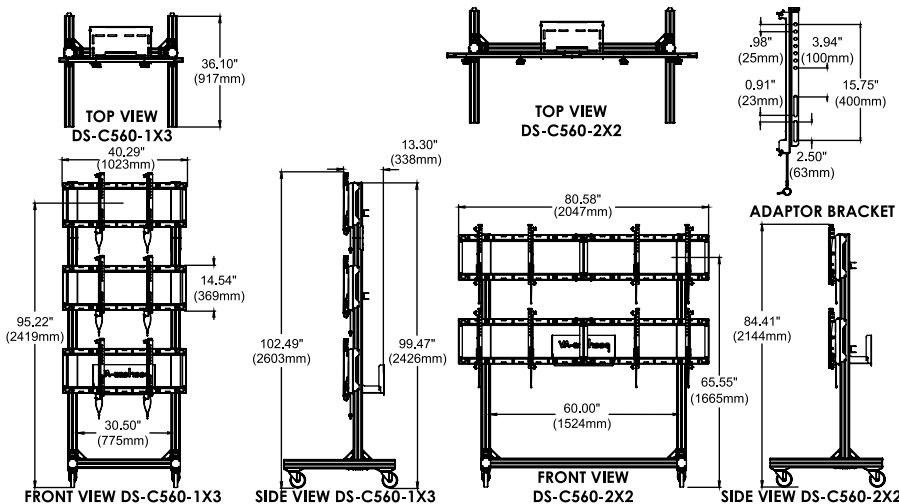


DS-C560-2X2



For expanded product information and technical data visit [peerless-av.com](http://peerless-av.com)

## TECHNICAL DRAWINGS



## MODELS

### Universal Models:

Includes theft resistant hardware for attaching display to mount

<b>DS-C560-1X3</b>	For 46" to 60" Displays 1x3 Configuration	Black
<b>DS-C560-2X2</b>	For 46" to 60" Displays 2x2 Configuration	Black

## DISPLAY ADAPTOR



### VESA® Pattern

Universal Models: 200 x 200 up to 600 x 400mm

## SPECIFICATIONS



### Max Load

<b>DS-C560-1X3:</b>	375lb (170kg) 125lb per display
<b>DS-C560-2X2:</b>	500lb (227kg) 125lb per display

### Product Dimensions (W x H x D)

<b>DS-C560-1X3:</b>	40.29" x 102.49" x 36.10" (1023 x 2603 x 917mm)
<b>DS-C560-2X2:</b>	80.58" x 84.41" x 36.10" (2047 x 2144 x 917mm)

### Ship Weight

<b>DS-C560-1X3:</b>	279lb (126.8kg)
<b>DS-C560-2X2:</b>	185lb (84kg)

## CERTIFICATIONS

**RoHS**

## ACCESSORIES



**ACC-V800X:**  
Adaptor accessory for 600 x 400 and 800 x 400mm mounting patterns



**ACC310VWC4:**  
Accessory feet 4 pack



**ACC006:**  
Six plug surge protector and cord wrap

Contact Peerless-AV Customer Care for more information.

To verify mount compatibility with any display or projector model use MountFinder™ at [peerless-av.com](http://peerless-av.com).



CALL: 630-375-5100  
800-865-2112



FAX: 630-820-8537  
800-359-6500



E-MAIL:  
[info@peerless-av.com](mailto:info@peerless-av.com)



ON-LINE:  
[peerless-av.com](http://peerless-av.com)



MODELS

Universal Models:

Includes theft resistant hardware for attaching display to mount

**DS-C555-3X2** 2x2 and 3x2 Configuration Black

**DS-C555-3X3** 2x2, 3x2 and 3x3 Configuration Black

DISPLAY ADAPTOR



VESA® Pattern

Universal Models: 200 x 200 up to 600 x 400mm

SPECIFICATIONS



Max Load

**DS-C555-3X2:** 600lb (272kg) 100lb per display  
**DS-C555-3X3:** 900lb (409kg) 100lb per display

Product Dimensions (W x H x D)

**DS-C555-3X2:** 121.07" x 76.26" x 36.10"  
 (3075 x 1937 x 917mm)

**DS-C555-3X3:** 121.07" x 94.35" x 36.10"  
 (3075 x 2396 x 917mm)

Ship Weight

**DS-C555-3X2:** 228lb (103.6kg)  
**DS-C555-3X3:** 307lb (139.5kg)

CERTIFICATIONS



ACCESSORIES



**ACC-V800X:**  
 Adaptor accessory for 600 x 400  
 and 800 x 400mm mounting patterns



**ACC310VWC4:**  
 Accessory feet 4 pack



**ACC006:**  
 Six plug surge protector and cord wrap

Contact Peerless-AV Customer Care  
 for more information.

SMARTMOUNT

Portable Video Wall Cart

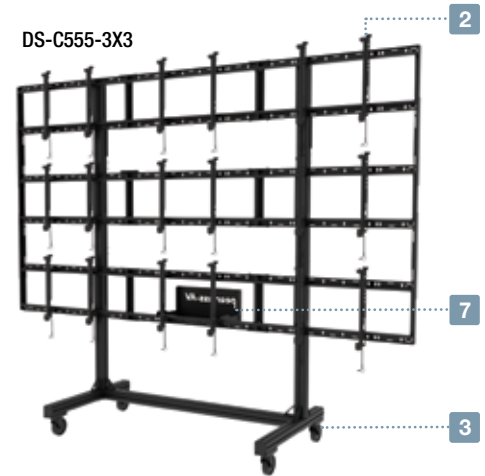
For 46" to 55" Displays

1. Modular design can be utilized for multiple configurations with a single SKU
2. Toolless micro adjustment at 8 points seamlessly align the displays
3. Lockable 5" casters enable safe and easy maneuverability over various flooring surfaces
4. Cable management through rear adjustable cable centralizing brackets
5. Designed for quick set-up and teardown
6. Adaptors feature a quick connect latch for automatic engagement with the mounting rails and ease of set-up
7. Rear media storage shelf and cover stores components while maintaining a clean appearance
8. Aluminum frame reduces the overall weight and shipping costs

DS-C555-3X2

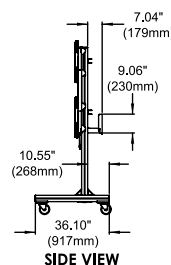
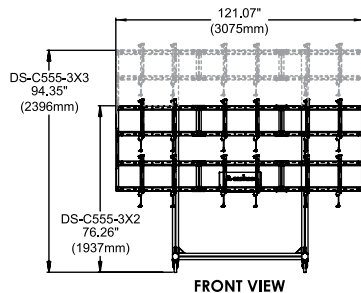
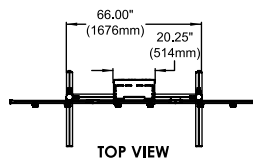


DS-C555-3X3

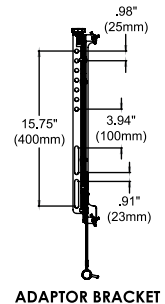


TECHNICAL DRAWINGS

For expanded product information and technical data visit [peerless-av.com](http://peerless-av.com)



**COMPATIBILITY FORMULA**  
 Two display widths + mount pattern width ≤ 120"  
 For DS-C555-3X2 display height ≤ 36"  
 For DS-C555-3X3 display height ≤ 31"



To verify mount compatibility with any display or projector model use MountFinder™ at [peerless-av.com](http://peerless-av.com).



CALL: 630-375-5100  
 800-865-2112



FAX: 630-820-8537  
 800-359-6500



E-MAIL: [info@peerless-av.com](mailto:info@peerless-av.com)



ON-LINE: [peerless-av.com](http://peerless-av.com)

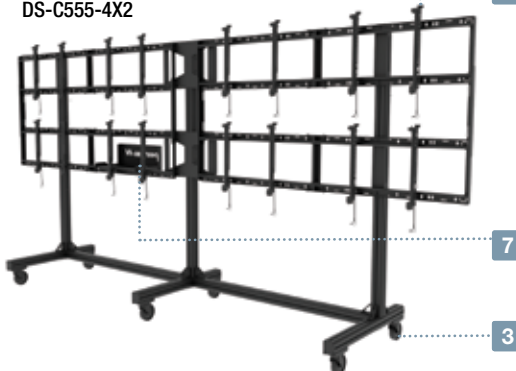


# Portable Video Wall Cart

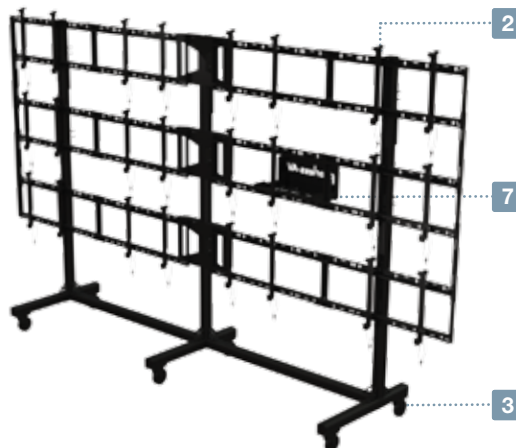
For 46" to 55" Displays

1. Modular design can be utilized for multiple configurations with a single SKU
2. Toolless micro adjustment at 8 points seamlessly align the displays
3. Lockable 5" casters enable safe and easy maneuverability over various flooring surfaces
4. Cable management through rear adjustable cable centralizing brackets
5. Designed for quick set-up and teardown
6. Adaptors feature a quick connect latch for automatic engagement with the mounting rails and ease of set-up
7. Rear media storage shelf and cover stores components while maintaining a clean appearance
8. Aluminum frame reduces the overall weight and shipping costs

**DS-C555-4X2**

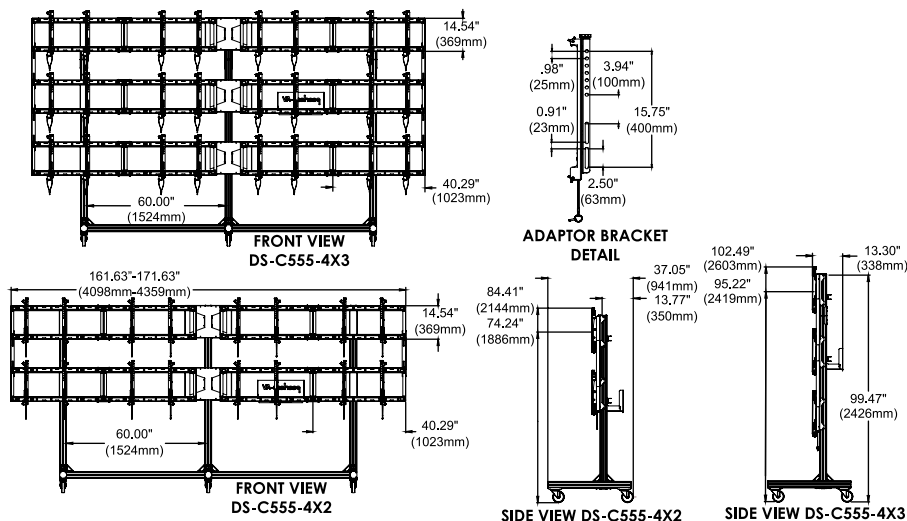


**DS-C555-4X3**



For expanded product information and technical data visit [peerless-av.com](http://peerless-av.com)

## TECHNICAL DRAWINGS



To verify mount compatibility with any display or projector model use MountFinder™ at [peerless-av.com](http://peerless-av.com).



CALL: 630-375-5100  
800-865-2112



FAX: 630-820-8537  
800-359-6500



E-MAIL: [info@peerless-av.com](mailto:info@peerless-av.com)



ON-LINE: [peerless-av.com](http://peerless-av.com)



## MODELS

### Universal Models:

Includes theft resistant hardware for attaching display to mount

**DS-C555-4X2** For 46" to 55" Displays Black  
2x2, 3x2 or 4x2 Configuration

**DS-C555-4X3** For 46" to 55" Displays Black  
2x2, 3x2, 4x2 or 4x3 Configuration

## DISPLAY ADAPTOR



### VESA® Pattern

Universal Models: 200 x 200 up to 600 x 400mm

## SPECIFICATIONS



### Max Load

**DS-C555-4X2:** 800lb (363kg) 100lb per display  
**DS-C555-4X3:** 1200lb (545kg) 100lb per display

### Product Dimensions (W x H x D)

**DS-C555-4X2:** 171.63" x 76.26" x 36.10"  
(4359 x 1937 x 917mm)  
**DS-C555-4X3:** 171.63" x 102.49" x 36.10"  
(4359 x 2603 x 917mm)

### Ship Weight

**DS-C555-4X2:** 334lb (151.8kg)  
**DS-C555-4X3:** 536lb (243.6kg)

## CERTIFICATIONS

**RoHS**

## ACCESSORIES



**ACC-V800X:**  
Adaptor accessory for 600 x 400 and 800 x 400mm mounting patterns



**ACC310VWC6:**  
Accessory feet 6 pack



**ACC006:**  
Six plug surge protector and cord wrap

Contact Peerless-AV Customer Care for more information.



MODELS

Universal Models:

Includes theft resistant hardware for attaching display to mount

- DS-S560-1X3** For 46" to 60" Displays Black  
1x3 Configuration
- DS-S560-2X2** For 46" to 60" Displays Black  
2x2 Configuration

DISPLAY ADAPTOR



VESA® Pattern

Universal Models: 200 x 200 up to 600 x 400mm

SPECIFICATIONS



Max Load

- DS-S560-1X3:** 375lb (170kg) 125lb per display
- DS-S560-2X2:** 500lb (227kg) 125lb per display

Product Dimensions (W x H x D)

- DS-S560-1X3:** 41.50" x 93.41" x 13.30"  
(1054 x 2373 x 338mm)
- DS-S560-2X2:** 80.58" x 75.32" x 13.30"  
(2047 x 1913 x 338mm)

Ship Weight

- DS-S560-1X3:** 247lb (112.3kg)
- DS-S560-2X2:** 147lb (66.8kg)

CERTIFICATIONS



ACCESSORIES



**ACC-V800X:**  
Adaptor accessory for 600 x 400 and 800 x 400mm mounting patterns



**ACC006:**  
Six plug surge protector and cord wrap

Contact Peerless-AV Customer Care for more information.

SMARTMOUNT.

Modular Video Wall Pedestal Mount

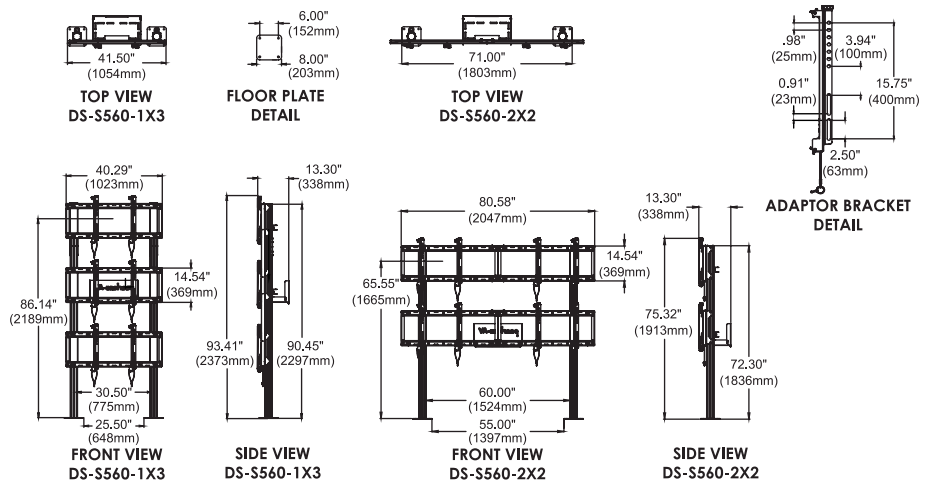
For 46" to 60" Displays

1. Toolless micro adjustment at 8 points seamlessly align the displays
2. Bolts directly to concrete without requiring additional connections to the wall or ceiling
3. Cable management through rear adjustable cable centralizing brackets
4. Adaptors feature a quick connect latch for automatic engagement with the mounting rails and ease of set-up
5. Rear media storage shelf and cover stores components while maintaining a clean appearance
6. Aluminum frame reduces the overall weight and shipping costs



TECHNICAL DRAWINGS

For expanded product information and technical data visit [peerless-av.com](http://peerless-av.com)



To verify mount compatibility with any display or projector model use MountFinder™ at [peerless-av.com](http://peerless-av.com).



CALL: 630-375-5100  
800-865-2112



FAX: 630-820-8537  
800-359-6500



E-MAIL: [info@peerless-av.com](mailto:info@peerless-av.com)



ON-LINE: [peerless-av.com](http://peerless-av.com)

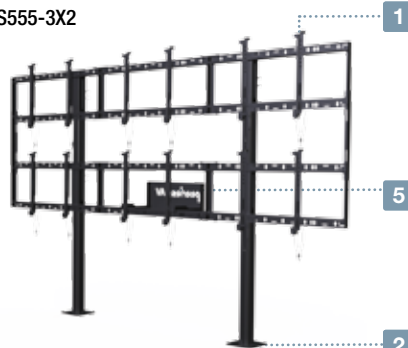
**SMARTMOUNT.**

# Modular Video Wall Pedestal Mount

For 46" to 55" Displays

1. Toolless micro adjustment at 8 points seamlessly align the displays
2. Bolts directly to concrete without requiring additional connections to the wall or ceiling
3. Cable management through rear adjustable cable centralizing brackets
4. Adaptors feature a quick connect latch for automatic engagement with the mounting rails and ease of set-up
5. Rear media storage shelf and cover stores components while maintaining a clean appearance
6. Aluminum frame reduces the overall weight and shipping costs

DS-S555-3X2



DS-S555-3X3



## MODELS

### Universal Models:

Includes theft resistant hardware for attaching display to mount

**DS-S555-3X2** 3x2 Configuration Black

**DS-S555-3X3** 3x3 Configuration Black

## DISPLAY ADAPTOR



### VESA® Pattern

Universal Models: 200 x 200 up to 600 x 400mm

## SPECIFICATIONS



### Max Load

DS-S555-3X2: 600lb (272kg) 100lb per display

DS-S555-3X3: 900lb (409kg) 100lb per display

### Product Dimensions (W x H x D)

DS-S555-3X2: 121.07" x 75.44" x 13.36"  
(3075 x 1916 x 339mm)

DS-S555-3X3: 121.07" x 93.43" x 13.36"  
(3075 x 2373 x 339mm)

### Ship Weight

DS-S555-3X2: 191lb (86.8kg)

DS-S555-3X3: 264lb (120kg)

## CERTIFICATIONS

**RoHS**

## ACCESSORIES



### ACC-V800X:

Adaptor accessory for 600 x 400 and 800 x 400mm mounting patterns



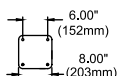
### ACC006:

Six plug surge protector and cord wrap

Contact Peerless-AV Customer Care for more information.

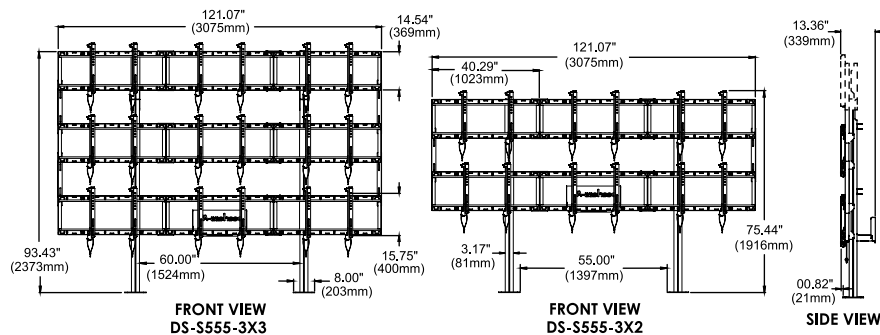
For expanded product information and technical data visit [peerless-av.com](http://peerless-av.com)

## TECHNICAL DRAWINGS



FLOOR PLATE

COMPATIBILITY FORMULA-3X2
Display height ≤ 36"
Display width ≥ 40.5"
Two display widths + mount pattern width ≤ 120"
COMPATIBILITY FORMULA-3X3
Display height ≤ 31"
Display width ≥ 40.5"
Two display widths + mount pattern width ≤ 120"



To verify mount compatibility with any display or projector model use MountFinder™ at [peerless-av.com](http://peerless-av.com).



CALL: 630-375-5100  
800-865-2112



FAX: 630-820-8537  
800-359-6500



E-MAIL:  
[info@peerless-av.com](mailto:info@peerless-av.com)



ON-LINE:  
[peerless-av.com](http://peerless-av.com)





MODELS

Universal Models:

Includes theft resistant hardware for attaching display to mount

- DS-S555-4X2** For 46" to 55" Displays 4x2 Configuration Black
- DS-S555-4X3** For 46" to 55" Displays 4x3 Configuration Black

DISPLAY ADAPTOR



VESA® Pattern

Universal Models: 200 x 200 up to 600 x 400mm

SPECIFICATIONS



Max Load

- DS-S555-4X2:** 800lb (363kg) 100lb per display
- DS-S555-4X3:** 1200lb (545kg) 100lb per display

Product Dimensions (W x H x D)

- DS-S555-4X2:** 171.63" x 75.44" x 13.30" (4359 x 1916 x 338mm)
- DS-S555-4X3:** 171.63" x 93.41" x 13.30" (4359 x 2373 x 338mm)

Ship Weight

- DS-S555-4X2:** 263lb (119.5kg)
- DS-S555-4X3:** 478lb (217.3kg)

CERTIFICATIONS



ACCESSORIES



**ACC-V800X:**  
Adaptor accessory for 600 x 400 and 800 x 400mm mounting patterns



**ACC006:**  
Six plug surge protector and cord wrap

Contact Peerless-AV Customer Care for more information.

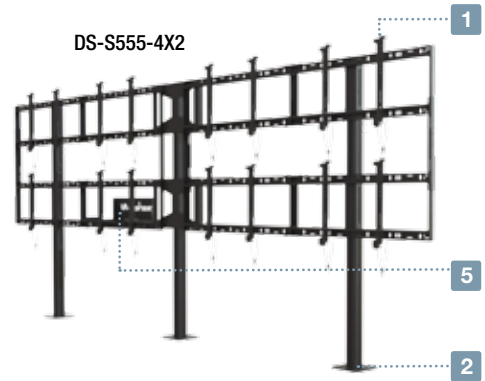
SMARTMOUNT.

Modular Video Wall Pedestal Mount

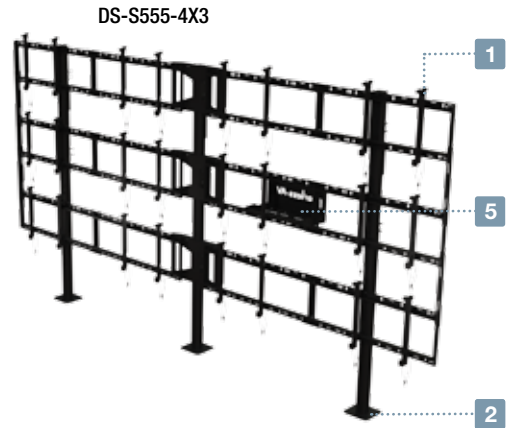
For 46" to 55" Displays

1. Toolless micro adjustment at 8 points seamlessly align the displays
2. Bolts directly to concrete without requiring additional connections to the wall or ceiling
3. Cable management through rear adjustable cable centralizing brackets
4. Adaptors feature a quick connect latch for automatic engagement with the mounting rails and ease of set-up
5. Rear media storage shelf and cover stores components while maintaining a clean appearance
6. Aluminum frame reduces the overall weight and shipping costs

DS-S555-4X2

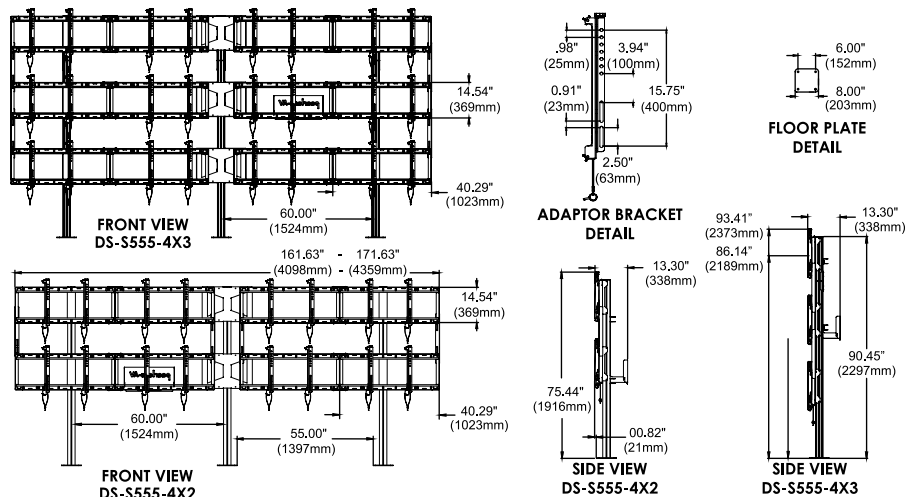


DS-S555-4X3



TECHNICAL DRAWINGS

For expanded product information and technical data visit [peerless-av.com](http://peerless-av.com)



To verify mount compatibility with any display or projector model use MountFinder™ at [peerless-av.com](http://peerless-av.com).



CALL: 630-375-5100  
800-865-2112



FAX: 630-820-8537  
800-359-6500



E-MAIL: [info@peerless-av.com](mailto:info@peerless-av.com)



ON-LINE: [peerless-av.com](http://peerless-av.com)

# Back-to-Back Modular Video Wall Pedestal Mount

For 46" to 60" Displays

1. Toolless micro adjustment at 8 points seamlessly align the displays
2. Bolts directly to concrete without requiring additional connections to the wall or ceiling
3. Cable management through rear adjustable cable centralizing brackets
4. Adaptors feature a quick connect latch for automatic engagement with the mounting rails and ease of set-up
5. Back-to-back solution maximizes the digital signage space with a 2x2 video wall on each side
6. Aluminum frame reduces the overall weight and shipping costs



## MODELS

### Universal Models:

Includes theft resistant hardware for attaching display to mount  
**DS-S560-B2X2** 2x2 Configuration Black

## DISPLAY ADAPTOR



### VESA® Pattern

Universal Models: 200 x 200 up to 600 x 400mm

## SPECIFICATIONS



### Max Load

800lb (363kg) 100lb per display

### Product Dimensions (W x H x D)

80.61" x 75.35" x 10.35"  
(2047 x 1914 x 263mm)

### Ship Weight

345lb (157kg)

## CERTIFICATIONS



## ACCESSORIES



**ACC-V600800:**  
Ultra Thin VESA® 600 x 400mm Adaptor



**ACC-V800X:**  
Adaptor accessory for 600 x 400 and 800 x 400mm mounting patterns

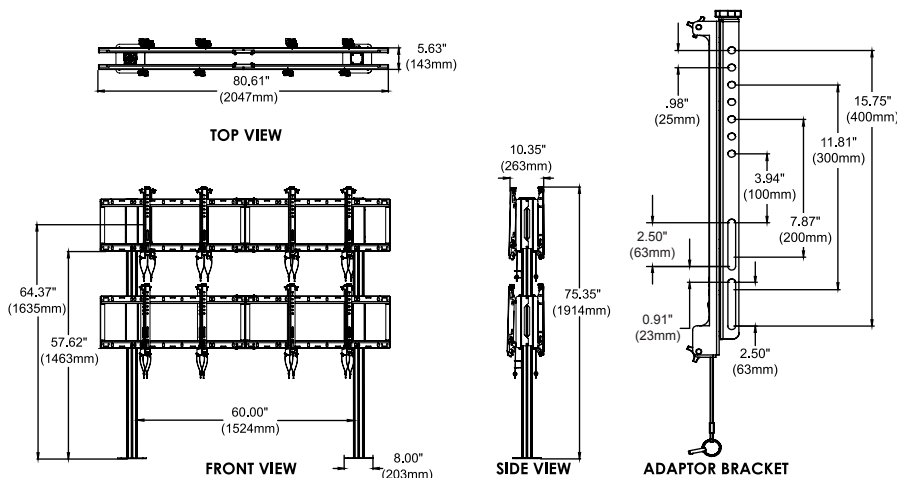


**ACC006:**  
Six plug surge protector and cord wrap

Contact Peerless-AV Customer Care for more information.

For expanded product information and technical data visit [peerless-av.com](http://peerless-av.com)

## TECHNICAL DRAWINGS



To verify mount compatibility with any display or projector model use MountFinder™ at [peerless-av.com](http://peerless-av.com).



CALL: 630-375-5100  
800-865-2112



FAX: 630-820-8537  
800-359-6500



E-MAIL:  
[info@peerless-av.com](mailto:info@peerless-av.com)



ON-LINE:  
[peerless-av.com](http://peerless-av.com)



**MODELS**

**Universal Models:**

Includes theft resistant hardware for attaching display to mount  
**DS-VWT955-2X2** Black

**DISPLAY ADAPTOR**

**VESA® Pattern**

Universal Models: 200 x 200 up to 600 x 400mm

**SPECIFICATIONS**

	<b>Tilt</b>
	5°, 10°, 15° and 20°
	<b>Max Load</b>
	400lb (182kg)
	<b>Product Dimensions (W x H x D)</b>
	71.54" x 49.00" x 10.50" (1817 x 1244 x 267mm)
	<b>Mounting Surfaces</b>
	Ceiling Accessory Required
	<b>Ship Weight</b>
	95lb (43kg)

**CERTIFICATIONS**



**ACCESSORIES**

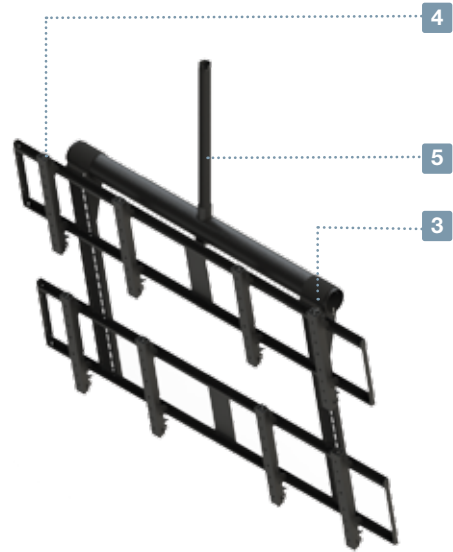
- ADD Models:**  
Ceiling Extensions ..... pg# 231
- DCS, DCT Models:**  
Ceiling Plates ..... pg# 228-230
- PLP-V models:**  
Dedicated Adaptor Plates .. pg# 155, 232

**SMARTMOUNT.**

**Video Wall Ceiling Mount**

2x2 Configuration for 40" to 55" Displays

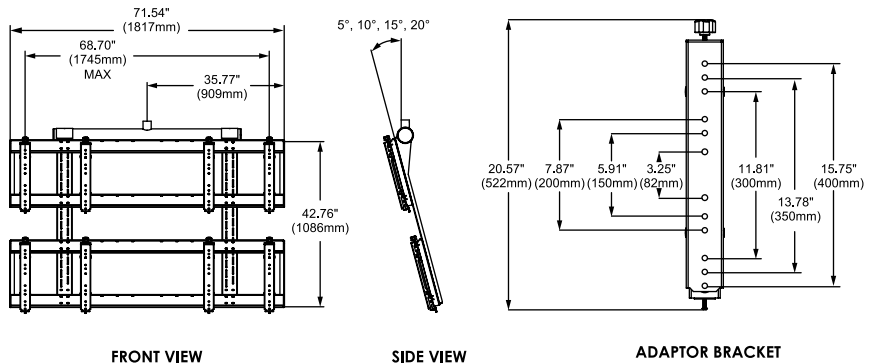
1. Ceiling mounted 2x2 video wall solution
2. Supports mounting hole patterns of VESA® 200 x 200 up to 600 x 400mm. Additional patterns supported with adaptor plates
3. Tilt options of 5°, 10°, 15° and 20°
4. 8 points of tool-less micro adjustment provides precise alignment
5. Compatible with Peerless-AV® standard columns
6. Included security hardware deters tampering and loss



**TECHNICAL DRAWINGS**

For expanded product information and technical data visit [peerless-av.com](http://peerless-av.com)

**COMPATIBILITY**  
 Display width must be a minimum of 36"  
 Display height must be >20.875" <27.16"  
 Screen width + horizontal mounting hole pattern must be less than 1745 mm



To verify mount compatibility with any display or projector model use MountFinder™ at [peerless-av.com](http://peerless-av.com).

# Outdoor Full Service Video Wall Mount - Landscape

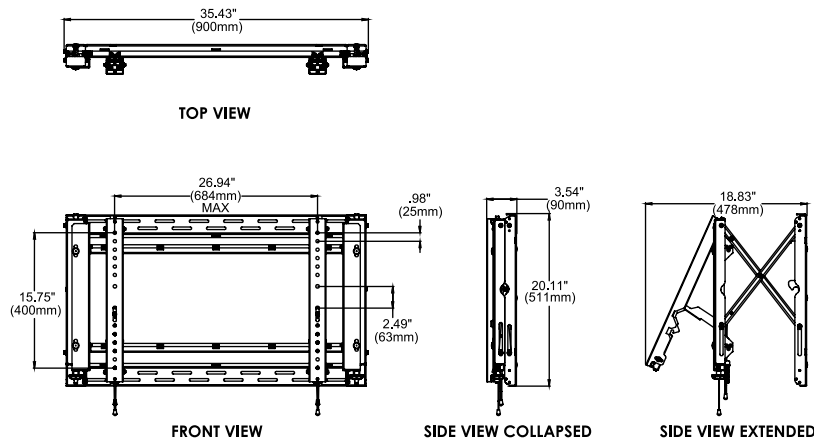
For 40" to 55" Displays

1. Environmentally coated, this mount is engineered to withstand the outdoor/harsh environments
2. Displays click securely into place against the wall with spring-loaded mechanism
3. Toolless micro-adjustments at 8 points allows the mount to overcome uneven walls to create a seamless video wall display
4. Modular mount for unlimited video wall display configurations
5. Integrated cable management tie-backs make display-to-display cabling simple
6. Included security hardware prevents the mount from extending out from the wall
7. Adjustable VESA® mounting hole patterns in 100mm increments, starting at 200 x 200mm up to 600 x 400mm



For expanded product information and technical data visit [peerless-av.com](http://peerless-av.com)

## TECHNICAL DRAWINGS



To verify mount compatibility with any display or projector model use MountFinder™ at [peerless-av.com](http://peerless-av.com).



CALL: 630-375-5100  
800-865-2112



FAX: 630-820-8537  
800-359-6500



E-MAIL:  
[info@peerless-av.com](mailto:info@peerless-av.com)



ON-LINE:  
[peerless-av.com](http://peerless-av.com)



## MODELS

### Universal Models:

Includes theft resistant hardware for attaching display to mount  
**EDS-VW765-LAND** Black

## DISPLAY ADAPTOR



### VESA® Pattern

Universal Models: 200 x 200 up to 600 x 400mm

## SPECIFICATIONS



### Distance from Wall

3.54" (90mm)



### Max Load

150lb (68kg)



### Product Dimensions (W x H x D)

35.43" x 20.11" x 3.54"  
(900 x 511 x 90mm)

### Mounting Surfaces

Wood stud, solid concrete  
and cinder/breeze block

### Ship Weight

43.2lb (19.6kg)

## CERTIFICATIONS



## ACCESSORIES



### CL models:

Xtreme™ Outdoor Displays . pg# 10-11



### Wireless Outdoor Kit:

HDS-OWK-200..... pg# 44



### Wireless Outdoor Module:

HDS-OWRE-200..... pg# 44



MODELS

Universal Models:

- Includes theft resistant hardware for attaching display to mount
- DS-MBZ642L** 40" to 42" Displays - Landscape Black
- DS-MBZ647L** 46" to 48" Displays - Landscape Black
- DS-MBZ647P** 42" to 48" Displays - Portrait Black

DISPLAY ADAPTOR

Mounting Pattern	(W x H)
DS-MBZ642L:	899 x 400mm (35.38" x 15.75")
DS-MBZ647L:	994 x 400mm (39.13" x 15.75")
DS-MBZ647P:	568 x 400mm (22.38" x 15.75")

SPECIFICATIONS

Distance from Wall
3.09" (78mm)

Tilt
+15°/-0°

Max Load
100lb (45.5kg)

Product Dimensions (W x H x D)
DS-MBZ642L: 36.23" x 19.48" x 3.09" (920 x 495 x 78mm)
DS-MBZ647L: 39.98" x 19.48" x 3.09" (1015 x 495 x 78mm)
DS-MBZ647P: 23.23" x 19.48" x 3.09" (590 x 495 x 78mm)

Mounting Surfaces
Wood stud and plywood

Ship Weight
DS-MBZ642L: 12lb (5.4kg)
DS-MBZ647L: 13lb (5.9kg)
DS-MBZ647P: 11.5lb (5.2kg)

CERTIFICATIONS



ACCESSORIES



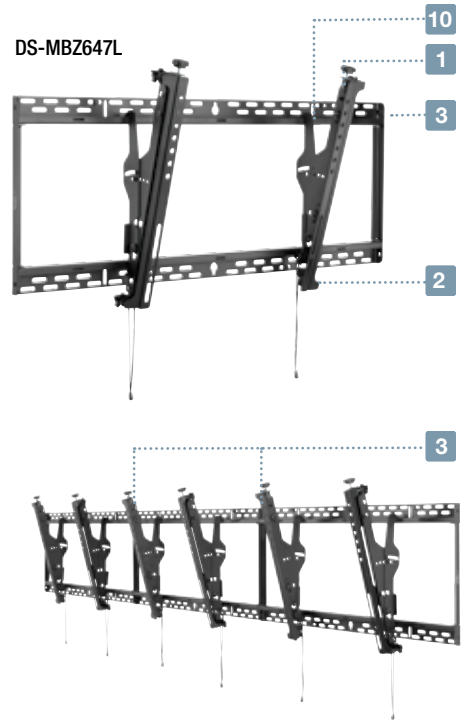
- ACC-MB0800:** 8" accessory wall plate
- ACC-MB2200:** 22" accessory wall plate
- ACC-MB3500:** 35" accessory wall plate
- ACC-MB3875:** 38.75" accessory wall plate
- ACC-MBF:** Menu Board Mount Ceiling Attachment Accessory for converting wall mounts to ceiling

Contact Peerless-AV Customer Care for more information.

# Digital Menu Board Mount with Height & Depth Adjustment

For 40" to 48" Displays

1. Toolless vertical adjustment for post installation leveling
2. Tool-less four corner depth adjustment aligns the displays on the same plane
3. Connecting wall plates create a continuous mounting surface, reducing installation time and cost
4. Kickstand provides convenient cable access
5. The quick connect latch automatically engages the wall plate for a speedy set-up
6. Simple one-to-one ordering process
7. Continuous and Inceblok™ tilt options
8. Open wall plate reduces wall interference
9. Included security hardware deters tampering and theft
10. Horizontal adjustment provides a seamless appearance

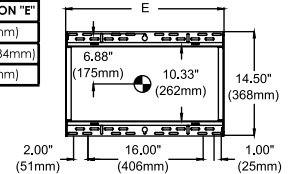
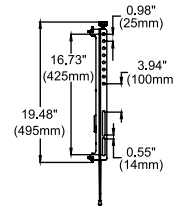
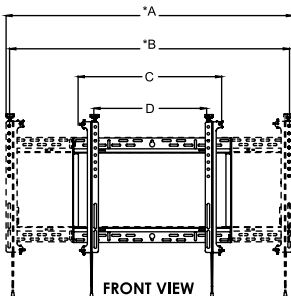


TECHNICAL DRAWINGS

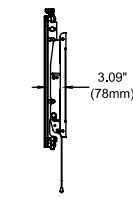
For expanded product information and technical data visit [peerless-av.com](http://peerless-av.com)

MODEL NO.	MAXIMUM VALUES				
	DIMENSION "A"	DIMENSION "B"	DIMENSION "C"	DIMENSION "D"	DIMENSION "E"
DS-MBZ642L	36.23"(920mm)	35.38"(899mm)	36.80"(935mm)	33"(838mm)	35"(889mm)
DS-MBZ647L	39.98"(1015mm)	39.13"(994mm)	40.55"(1030mm)	36.75"(933mm)	38.75"(984mm)
DS-MBZ647P	23.23"(590mm)	22.38"(568mm)	23.80"(605mm)	20"(508mm)	22"(559mm)

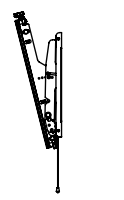
\*distances achieved by reversing brackets



WALL PLATE DETAIL



SIDE VIEW COLLAPSED



SIDE VIEW 15° TILT (MAX)

To verify mount compatibility with any display or projector model use MountFinder™ at [peerless-av.com](http://peerless-av.com).



CALL: 630-375-5100  
800-865-2112



FAX: 630-820-8537  
800-359-6500



E-MAIL: [info@peerless-av.com](mailto:info@peerless-av.com)



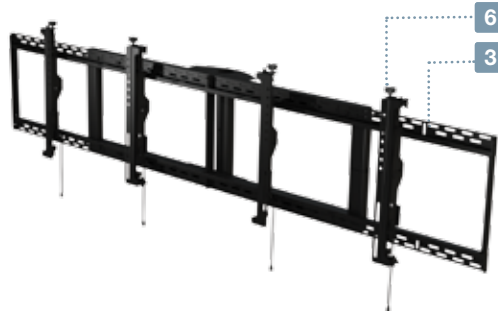
ON-LINE: [peerless-av.com](http://peerless-av.com)



# Digital Menu Board Ceiling Mount with 8pt Adjustment - Landscape

2x1 Configuration for 40" to 48" Displays

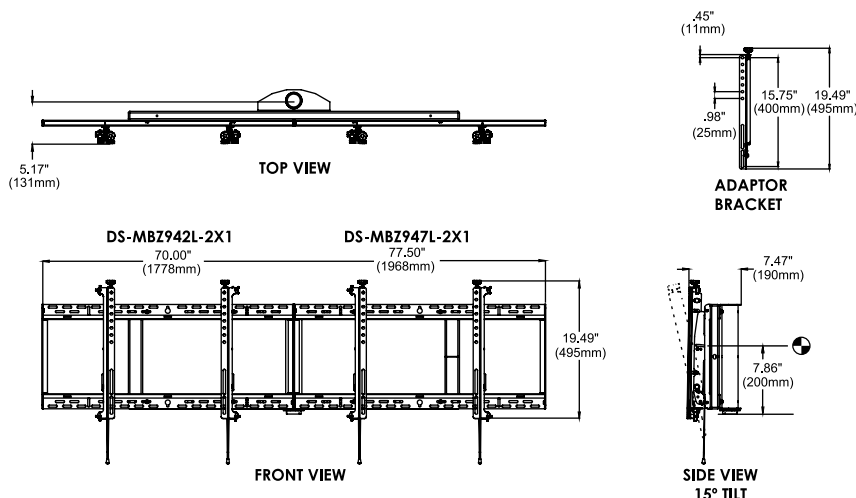
1. Connecting wall plates create a continuous mounting surface for ease of display alignment
2. Quick connect latch automatically engages the wall plate when mounting the display for a speedy set-up and peace of mind
3. Horizontal adjustment allows the installer to create a menu board with a seamless appearance
4. Continuous and Increlok™ tilt options assure that all displays are tilted at the same angle to assure alignment
5. Included security hardware deters tampering and theft
6. 8pt toolless micro-adjustment provides post installation display alignment on the x, y and z axis



For information on Multi-Display & Ceiling Mounts, see pages 145-157

For expanded product information and technical data visit [peerless-av.com](http://peerless-av.com)

## TECHNICAL DRAWINGS



To verify mount compatibility with any display or projector model use MountFinder™ at [peerless-av.com](http://peerless-av.com).



CALL: 630-375-5100  
800-865-2112



FAX: 630-820-8537  
800-359-6500



E-MAIL: info@peerless-av.com



ON-LINE: peerless-av.com



## MODELS

### Universal Models:

Includes theft resistant hardware for attaching display to mount

### 2x1 Configuration

<b>DS-MBZ942L-2X1</b>	40" to 42" Displays	Black
<b>DS-MBZ947L-2X1</b>	46" to 48" Displays	Black

## DISPLAY ADAPTOR



Mounting Pattern (W x H)

DS-MBZ942L-2X1:	1788 x 400mm (70.40" x 15.75")
DS-MBZ947L-2X1:	1978 x 400mm (77.80" x 15.75")

## SPECIFICATIONS



Tilt

+15°/-0°



Max Load

200lb (90.9kg)

Product Dimensions (W x H x D)

DS-MBZ942L-2X1:	70.00" x 19.49" x 7.47" (1778 x 495 x 190mm)
DS-MBZ947L-2X1:	77.50" x 19.49" x 7.47" (1968 x 495 x 190mm)

Mounting Surfaces

Ceiling Accessory Required

Ship Weight

DS-MBZ942L-2X1:	61.1lb (27.7kg)
DS-MBZ947L-2X1:	62.1lb (28.2kg)

## CERTIFICATIONS

**RoHS**

## ACCESSORIES



### ADD Models:

Ceiling Extensions ..... pg# 231



### DCS, DCT Models:

Ceiling Plates ..... pg# 228-230



### ACC-MBC:

Connects multiple mounts



### ACC-MBS:

Menu Board Shelf

Contact Peerless-AV Customer Care for more information.



MODELS

Universal Models:

Includes theft resistant hardware for attaching display to mount

3x1 Configuration

<b>DS-MBZ942L-3X1</b>	40" to 42" Displays	Black
<b>DS-MBZ947L-3X1</b>	46" to 48" Displays	Black

DISPLAY ADAPTOR

Mounting Pattern	(W x H)
DS-MBZ942L-3X1:	2677 x 400mm (105.40" x 15.75")
DS-MBZ947L-3X1:	2962 x 400mm (116.60" x 15.75")

SPECIFICATIONS

<b>Tilt</b>	+15°/0°
-------------	---------

<b>Max Load</b>	300lb (136kg)
-----------------	---------------

<b>Product Dimensions</b>	(W x H x D)
DS-MBZ942L-3X1:	105.00" x 19.49" x 7.47" (2667 x 495 x 190mm)
DS-MBZ947L-3X1:	116.25" x 19.49" x 7.47" (2953 x 495 x 190mm)

<b>Mounting Surfaces</b>	Ceiling Accessory Required
--------------------------	----------------------------

<b>Ship Weight</b>	
DS-MBZ942L-3X1:	99.9lb (45.4kg)
DS-MBZ947L-3X1:	101.4lb (46.1kg)

CERTIFICATIONS



ACCESSORIES



**ADD Models:**  
Ceiling Extensions ..... pg# 231



**DCS, DCT Models:**  
Ceiling Plates ..... pg# 228-230



**ACC-MBC:**  
Connects multiple mounts



**ACC-MBS:**  
Menu Board Shelf

Contact Peerless-AV Customer Care for more information.

Digital Menu Board Ceiling Mount with 8pt Adjustment - Landscape

3x1 Configuration for 40" to 48" Displays

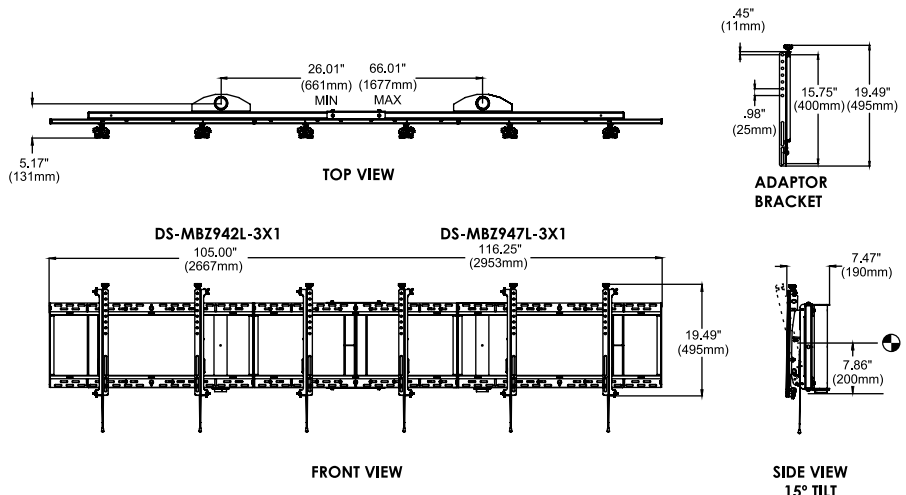
1. Connecting wall plates create a continuous mounting surface for ease of display alignment
2. Quick connect latch automatically engages the wall plate when mounting the display for a speedy set-up and peace of mind
3. Horizontal adjustment allows the installer to create a menu board with a seamless appearance
4. Continuous and Increlok™ tilt options assure that all displays are tilted at the same angle to assure alignment
5. Included security hardware deters tampering and theft
6. 8pt toolless micro-adjustment provides post installation display alignment on the x, y and z axis



For information on Multi-Display & Ceiling Mounts, see pages 145-157

TECHNICAL DRAWINGS

For expanded product information and technical data visit peerless-av.com



To verify mount compatibility with any display or projector model use MountFinder™ at peerless-av.com.



CALL: 630-375-5100  
800-865-2112



FAX: 630-820-8537  
800-359-6500



E-MAIL: info@peerless-av.com

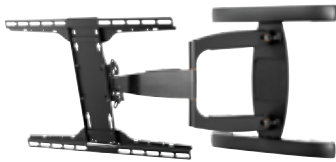


ON-LINE: peerless-av.com

## A Display Mount That Fits Your Needs

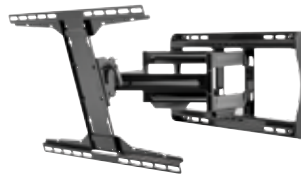
- Comprehensive selection of sleek, flat, tilt and articulating wall mounts
- Versatile and easy to install mounting solutions
- Gets you closer to the wall and saves installation time

Which line of mounting solutions fits your needs?



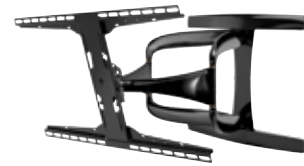
**SMARTMOUNT**

Learn more on pages 85-113



**PARAMOUNT**

Learn more on pages 114-128



**Designer Series**

Learn more on pages 129-135

## Introducing Peerless-AV® Solutions for Microsoft® Surface™ Hub



- Flexible adaptor plate accommodates both models
- Safely mount, move and store your display
- UL® rated up to 300lb

Peerless-AV® has expanded its SmartMount® line to include both mobile carts and flat wall mount for the Microsoft® Surface™ Hub. The line of mounts and carts offers versatility and reliability to corporate, education, and hospitality environments. **Learn more on page 166.**

Trademarks are properties of their respective owners

**peerless-AV**

**75**  
Years of  
**INNOVATION**  
est. 1941



## ***Peerless-AV's Modular Series Provides Versatility and Peace of Mind***

- Single and dual pole configurations available in ceiling, floor-to-ceiling, floor-to-wall and free standing kits
- Can position displays at any point along the pole(s)
- Innovative features include incremental tilt and multiple display options

The modular series has components that combine to meet virtually any application, making them the most versatile and easy to install products available. All Modular Series products are tested to the highest UL mounting safety standards to withstand four times the rated load capacity. **Learn more on pages 158-161.**



**peerless-AV®**

UNIVERSAL MOUNTS

Display Mounts  
Universal Mounts chart .....pg# 75-79



**SMARTMOUNT XT** Wall Mounts

**SFX645(P)/SFX650(P)/SFX660(P) Models**  
SmartMountXT™ Universal Flat Wall Mounts  
for 32" to 90" Displays .....pg# 80

**STX645(L)(P)/STX650(L)(P)/STX660(L)(P) Models**  
SmartMountXT™ Universal Tilt Wall Mounts  
for 32" to 90" Displays .....pg# 81

**SAX755PU**  
SmartMountXT™ Articulating Wall Arm  
for 37" to 55" Displays .....pg# 82

**SAX762PU**  
SmartMountXT™ Articulating Wall Arm  
for 39" to 75" Displays .....pg# 83

**SAX772PU**  
SmartMountXT™ Articulating Wall Arm  
for 46" to 90" Displays .....pg# 84

**SMARTMOUNT** Wall Mounts

**SF630(P) Models**  
SmartMount® Flat Wall Mount  
for 10" to 29" Displays .....pg# 85

**SF632(P) Models**  
SmartMount® Flat Wall Mount  
for 22" to 40" Displays .....pg# 86

**SF640(P) Models**  
SmartMount® Universal Flat Wall Mount  
for 32" to 50" Displays .....pg# 87

**SF650(P)/SF660(P) Models**  
SmartMount® Universal Flat Wall Mounts  
for 39" to 80" Displays .....pg# 88

**SF670(P) Models**  
SmartMount® Universal Flat Wall Mount  
for 46" to 90" Displays .....pg# 89

**SF680(P) Models**  
SmartMount® Universal Flat Wall Mount  
for 60" to 98" Displays .....pg# 90

**SFP680 Models**  
SmartMount® Universal Portrait Flat  
Wall Mount for 46" to 90" Displays .....pg# 91

**ST630(P) Models**  
SmartMount® Tilt Wall Mount  
for 10" to 29" Displays .....pg# 92

**ST632(P) Models**  
SmartMount® Tilt Wall Mount  
for 22" to 40" Displays .....pg# 93

**ST640(P) Models**  
SmartMount® Universal Tilt Wall Mount  
for 32" to 50" Displays .....pg# 94

**ST650(P)/ST660(P) Models**  
SmartMount® Universal Tilt Wall Mounts  
for 39" to 80" Displays .....pg# 95

**ST670(P) Models**  
SmartMount® Universal Tilt Wall Mount  
for 46" to 90" Displays .....pg# 96

**ST680(P) Models**  
SmartMount® Universal Tilt Wall Mount  
for 60" to 98" Displays .....pg# 97

**STP680 Models**  
SmartMount® Universal Portrait Tilt  
Wall Mount for 46" to 90" Displays .....pg# 98

**SF16D/SF24D Models**  
SmartMount® Display-Specific Flat Wall Mounts  
for up to 71" Displays.....pg# 99

**ST16D/ST24D Models**  
SmartMount® Display-Specific Tilt Wall Mounts  
for up to 71" Displays.....pg# 100

**SMARTMOUNT** Wall Mounts

**SP730P** .....continued  
SmartMount® Pivoting Wall Mount  
for 10" to 29" Displays .....pg#101

**SP740P/SP746PU Models**  
SmartMount® Pivoting Wall Mounts  
for 22" to 50" Displays .....pg# 102

**HPF650**  
Pull-out Pivot Wall Mount  
for 32" to 55" Displays .....pg# 103

**FPS-1000**  
Pull-out Pivot Wall Mount  
for 32" to 80" Displays .....pg#104

**SP840**  
SmartMount® Pull-out Pivot Wall Mount  
with Tilt for 32" to 55" Displays .....pg# 105

**SP850 Models**  
SmartMount® Pull-out Pivot Wall Mounts  
for 32" to 80" Displays .....pg# 106

**SP850-UNL(P) Models**  
SmartMount® Pull-out Pivot Wall Mounts  
for 32" to 80" Displays .....pg# 107

**SA730P**  
SmartMount® Articulating Wall Mount  
for 10" to 29" Displays .....pg# 108

**SA740P**  
SmartMount® Articulating Wall Mount  
for 22" to 40" Displays .....pg# 109

**SA746PU**  
SmartMount® Articulating Wall Mount  
for 32" to 50" Displays .....pg# 110

**SA752PU**  
SmartMount® Articulating Wall Arm  
for 37" to 55" Displays .....pg# 111

**SA761PU**  
SmartMount® Articulating Wall Arm  
for 39" to 75" Displays .....pg# 112

**SA771PU**  
SmartMount® Articulating Wall Arm  
for 46" to 90" Displays .....pg# 113

**PARAMOUNT** Wall Mounts

**PF630**  
Paramount™ Flat Wall Mount  
for 10" to 29" Displays .....pg# 114

**PF632**  
Paramount™ Flat Wall Mount  
for 22" to 40" Displays .....pg# 115

**PF640**  
Paramount™ Universal Flat Wall Mount  
for 32" to 46" Displays .....pg# 116

**PF650/PF660 Models**  
Paramount™ Universal Flat Wall Mounts  
for 39" to 90" Displays .....pg# 117

**PT630**  
Paramount™ Tilt Wall Mount  
for 10" to 29" Displays .....pg# 118

**PT632**  
Paramount™ Tilt Wall Mount  
for 22" to 40" Displays .....pg# 119

**PT640**  
Paramount™ Universal Tilt Wall Mount  
for 32" to 46" Displays .....pg# 120

**PT650/PT660 Models**  
Paramount™ Universal Tilt Wall Mounts  
for 39" to 90" Displays .....pg# 121

**PP730**  
Paramount® Pivot Wall Mount  
for 10" to 29" Displays .....pg# 122

**PP740**  
Paramount® Pivot Wall Mount  
for 22" to 40" Displays .....pg# 123

**PA730**  
Paramount™ Articulating Wall Mount  
for 10" to 29" Displays .....pg# 124

**PA740**  
Paramount™ Articulating Wall Mount  
for 22" to 40" Displays .....pg# 125

**PA746**  
Paramount™ Articulating Wall Mount  
for 32" to 50" Displays .....pg# 126

**PA750**  
Paramount™ Articulating Wall Mount  
for 39" to 75" Displays .....pg# 127

**PA762**  
Paramount™ Articulating Wall Mount  
for 39" to 90" Displays .....pg# 128

DesignerSeries™ Wall Mounts

**SUF640P/SUF650P/SUF660P Models**  
DesignerSeries™ Universal Ultra Slim Flat Wall  
Mounts for 37" to 80" Ultra-thin Displays .....pg# 129

**SUF641/SUF651/SUF661 Models**  
DesignerSeries™ Universal Ultra Slim Flat Wall  
Mounts for 24" to 80" Ultra-thin Displays .....pg# 130

**SUT646P/SUT670P Models**  
DesignerSeries™ Universal Ultra Slim Tilt Wall  
Mounts for 32" to 80" Displays .....pg# 131

**SUA740P**  
DesignerSeries™ Ultra Slim Articulating Wall Mount  
for 32" to 40" Ultra-thin Displays .....pg# 132

**SUA747PU**  
DesignerSeries™ Universal  
Ultra Slim Articulating Wall Mount  
for 32" to 50" Ultra-thin Displays .....pg# 133

**SUA761PU**  
DesignerSeries™ Universal  
Ultra Slim Articulating Wall Mount  
for 37" to 65" Ultra-thin Displays .....pg# 134

**SUA771PU**  
DesignerSeries™ Universal  
Ultra Slim Articulating Wall Mount  
for 42" to 90" Ultra-thin Displays .....pg# 135



LOCKING & SECURITY

**HF642-002**  
Enclosed Flat Wall Mount  
for 32" to 50" Displays .....pg# 136

**HF642-003**  
Enclosed Flat Wall Mount  
for 40" to 55" Displays .....pg# 137

**HT642-002**  
Enclosed Flat/Tilt Wall Mount  
for 32" to 50" Displays .....pg# 138

**HT642-003**  
Enclosed Flat/Tilt Wall Mount  
for 37" to 55" Displays .....pg# 139

**HT642-004**  
Enclosed Flat/Tilt Wall Mount  
for 32" to 50" Displays .....pg# 140

**LT-320**  
Enclosed Flat/Tilt Wall Mount with Media  
Device Storage for 26" to 32" Displays .....pg# 141

MEDIA STORAGE

**DST660**  
SmartMount® Flat/Tilt Wall Mount  
with Media Device Storage  
for 40" to 60" Displays .....pg# 142

**DST360**  
Flat/Tilt Wall or Ceiling Mount  
with Media Device Storage  
for 26" to 60" Displays .....pg# 143

**DS334**  
Media Player Mounting Bracket .....pg# 144

**DS496**  
Media Player Mounting Plate  
for Apple Mac Mini Computer .....pg# 144

**DSX750**  
Media Player Storage  
for 32" to 60" Displays .....pg# 144

continue...



CALL: 630-375-5100  
800-865-2112



FAX: 630-820-8537  
800-359-6500



E-MAIL:  
info@peerless-av.com



ONLINE:  
peerless-av.com

...continued



**MULTI-DISPLAY & CEILING MOUNTS**

- DST995**  
SmartMount® Flat/Tilt Universal Ceiling Mount with Media Device Storage for 40" to 95" Displays .....pg# 145
- PLB-1**  
Back-to-Back Ceiling Mount for up to 90" Displays.....pg# 146
- DST965**  
SmartMount® Back-to-Back Ceiling Mount with Media Device Storage for 40" to 65" Displays .....pg# 147
- DST970X2**  
Dual-Display Ceiling Mount for 40" to 70" Displays .....pg# 148
- DST980-3**  
Multi-Display Ceiling Mount with Three Telescoping Arms for 37" to 80" Displays .....pg# 149
- DST980-4**  
Multi-Display Ceiling Mount with Four Telescoping Arms for 37" to 75" Displays .....pg# 150
- DST980-6**  
Multi-Display Ceiling Mount with Six Telescoping Arms for 37" to 42" Displays .....pg# 151
- MDJ Models**  
Multi-Display Ceiling System for 32" to 50" Displays ..... pg# 152-153
- PLCM Models**  
SmartMount® Ceiling Mounts for up to 90" Displays..... pg# 154-155
- PLCK Models**  
SmartMount® Ceiling Mounts for up to 90" Displays.....pg# 156
- ST940-EXA(-W)/-EXB(-W)/-EXC(-W) Models**  
SmartMount® Ceiling Mounts for up to 40" Displays.....pg# 157



**MODULAR MOUNTS**

- MOD-FPSKIT100(B)/150(B) Models**  
Modular Series Ceiling Kits for up to 75" Displays.....pg# 158
- MOD-FCSKIT300(B) Models**  
Modular Series Floor-To-Ceiling Kits for up to 75" Displays.....pg# 158
- Modular Series Individual Components to 'Build Your Own' Solution**  
for up to 75" Displays.....pg# 159

**MODULAR MOUNTS**

- ...continued
- MOD-FPS2KIT150(B) Models**  
Modular Series Dual Pole Ceiling Kits for 46" to 90" Displays .....pg# 160
  - MOD-FCS2KIT300(B) Models**  
Modular Series Dual Pole Floor-To-Ceiling Kits for 46" to 90" Displays .....pg# 160
  - MOD-FW2KIT300(B) Models**  
Modular Series Dual Pole Floor-to-Wall Kits for 46" to 90" Displays .....pg# 160
  - MOD-FPP2KIT200(B) Models**  
Modular Series Dual Pole Free Standing Kits for 46" to 90" Displays .....pg# 160
  - Modular Series Dual Pole Individual Components to 'Build Your Own' Solution**  
for 46" to 90" Displays .....pg# 161

**TRUSS**

- DSF290**  
Truss Mount for 12" truss with 2" Outer Diameter Tubing for 40" to 90" Displays .....pg# 162



**FLOOR CARTS & STANDS**

- SR560M(-AB)(-AW)**  
SmartMount™ Flat Panel Cart for 32" to 75" Displays ..... pg# 163
- SR575M**  
SmartMount™ Full Featured Flat Panel Cart for 32" to 75" Displays ..... pg# 164
- SR575K**  
SmartMount™ Universal Kiosk Cart for 32" to 75" Displays and Touch Panels .... pg# 165
- SR598**  
SmartMount™ Flat Panel Cart for 55" to 98" Displays ..... pg# 166
- SR598-HUB**  
SmartMount™ Flat Panel Cart for 55" and 84" Microsoft® Surface™ Hub... pg# 166
- SR555E**  
SmartMount™ Flat Panel Video Conferencing Cart For two 40" to 55" Displays ..... pg# 167
- SR575E**  
SmartMount™ Flat Panel Video Conferencing Cart For one 32" to 75" Display..... pg# 167
- SR555M**  
SmartMount™ Flat Panel Video Conferencing Cart For two 40" to 55" Displays ..... pg# 168
- HCC501**  
Mobile Medical Storage Cart with Monitor and PC Mount For Computer Workstation Monitors with VESA® 75x75 and 100x100mm ..... pg# 169
- SS560F/SS560M**  
SmartMount™ Flat Panel Floor Stands for 32" to 75" Displays ..... pg# 170
- SS560G**  
SmartMount™ Flat Panel Floor Stand for 32" to 75" Displays ..... pg# 171

**FLOOR CARTS & STANDS**

























- ...continued
- SS575K**  
SmartMount™ Universal Kiosk Stand for 32" to 75" Displays and Touch Panels .... pg# 172
  - FPZ-600**  
Flat Panel Floor Stand for up to 75" Displays..... pg# 173
  - FPZ-670**  
Flat Panel Floor Stand for up to 90" Displays..... pg# 174
  - LCFS-100**  
Flat Panel Pedestal Stand for up to 30" Displays..... pg# 175
  - COL Models**  
Flat Panel Pedestal Mount for up to 75" Displays..... pg# 176



**DESKTOP & WORK CENTERS**

- ACSTA1-US/HLC-KIT(-Q10) Models**  
Display Base Lock-down Security Kits for Select Display Base Stands and VESA® Compliant Displays..... pg# 177
- HP432-002**  
Desktop Swivel Mount for 26" to 37" Displays ..... pg# 178
- HP447**  
Desktop Swivel Mount for 32" to 47" Displays ..... pg# 179
- HP455**  
Desktop Swivel Mount for 32" to 55" Displays ..... pg# 180
- PTM400/PTM200 Models**  
Universal Desktop Tablet Mount/ Universal Tablet Cradle for Tablets less than 0.75" (19mm) deep .... pg# 181
- PTS510I Models**  
Kiosk Floor Stand for iPad® Tablets ..... pg# 182
- LCT100S**  
Monitor Desktop Stand for up to 29" Monitors ..... pg# 183
- LCT620A/LCT620A-G Models**  
Single Monitor Desktop Arm Mount for up to 29" Monitors ..... pg# 184
- LCT620AD/LCT620AD-G Models**  
Dual Monitor Desktop Arm Mount for up to 29" Monitors ..... pg# 185
- LCT620AT-G**  
Triple Monitor Desktop Arm Mount for up to 24" Monitors ..... pg# 186
- LCT620AQ-G**  
Quad Monitor Desktop Arm Mount for up to 24" Monitors ..... pg# 187
- LCW620A/LCW620AD**  
Single & Dual Wall Mounted Desktop Arm for up to 29" Monitors ..... pg# 188



Product Type	Display Size Range	Model(s)	Picture	Max Load	Mounting Pattern (W x H)	Distance From the Wall	Tilt Range	Metal Stud Accessory	Single/ Double Stud Mounting	Catalog Page		
Flat	SMARTMOUNT Xt	32"-60"	SFX645(P)		100lb (45kg)	452 x 405mm (17.79" x 15.95")	1.21" (31mm)	N/A	ACC415	Double	80	
		37"-75"	SFX650(P)		120lb (54kg)	744 x 405mm (29.29" x 15.95")	1.21" (31mm)	N/A	ACC415	Double	80	
		39"-90"	SFX660(P)		150lb (68kg)	827 x 405mm (32.54" x 15.95")	1.21" (31mm)	N/A	ACC415	Double	80	
	SMARTMOUNT	10"-29"	SF630(P)		80lb (36kg)	VESA® 75 and 100mm	0.96" (24mm)	N/A	ACC215	Single	85	
		22"-40"	SF632(P)		115lb (52kg)	VESA® 75, 100, 200 x 100 and 200 x 200mm	1.02" (26mm)	N/A	ACC215	Single	86	
		32"-50"	SF640(P)		150lb (68kg)	450 x 405mm (17.72" x 15.95")	1.20" (30mm)	N/A	ACC415	Single / Double	87	
		39"-75"	SF650(P)		175lb (79kg)	742 x 405mm (29.21" x 15.95")	1.20" (30mm)	N/A	ACC415	Double	88	
		39"-80"	SF660(P)		200lb (91kg)	824 x 405mm (32.44" x 15.95")	1.20" (30mm)	N/A	ACC415	Double	88	
		46"-90"	SF670(P)		250lb (113kg)	895 x 450mm (35.25" x 17.72")	1.73" (44mm)	N/A	ACC615	Double / Triple	89	
		60"-98"	SF680(P)		350lb (158kg)	1100 x 650mm (43.29" x 25.59")	1.73" (44mm)	N/A	ACC615	Triple	90	
		46"-90"	SFP680		350lb (158kg)	494 x 650mm (19.45" x 25.59")	1.70" (43mm)	N/A	ACC615	Triple	91	
		PARAMOUNT	10"-29"	PF630		50lb (23kg)	VESA® 75 and 100mm	0.64" (16mm)	N/A	ACC215	Single	114
			22"-40"	PF632		80lb (36kg)	VESA® 100, 200 x 100 and 200 x 200mm	0.64" (16mm)	N/A	ACC215	Single	115
			32"-46"	PF640		100lb (45kg)	450 x 305mm (17.72" x 12.01")	1.26" (32mm)	N/A	ACC415	Double	116
			39"-75"	PF650		150lb (68kg)	742 x 405mm (29.23" x 15.95")	1.26" (32mm)	N/A	ACC415	Double	117
39"-90"	PF660			200lb (91kg)	825 x 405mm (32.48" x 15.95")	1.26" (32mm)	N/A	ACC415	Double	117		
Designer Series™	37"-50" for ultra-thin displays only*		SUF640P		150lb (68kg)	450 x 402mm (17.73" x 15.82")	0.33" (8mm)	N/A	ACC215	Double	129	
	37"-75" for ultra-thin displays only*		SUF650P		150lb (68kg)	742 x 449mm (29.23" x 17.67")	0.33" (8mm)	N/A	ACC415	Double	129	
	40"-80" for ultra-thin displays only*		SUF660P		150lb (68kg)	825 x 449mm (32.48" x 17.67")	0.33" (8mm)	N/A	ACC415 / ACC615	Double / Triple	129	
	24"-50" for ultra-thin displays only*		SUF641		150lb (68kg)	75 to 425mm (in 25mm increments)	0.19" (5mm)	N/A	N/A	Double	130	
	37"-75" for ultra-thin displays only*		SUF651		150lb (68kg)	150 to 400 & 550 to 700mm (in 25mm increments)	0.19" (5mm)	N/A	N/A	Double	130	
	40"-80" for ultra-thin displays only*	SUF661		150lb (68kg)	150 to 400 & 550 to 800mm (in 25mm increments)	0.19" (5mm)	N/A	N/A	Double	130		
Flat Locking/ Security	32"-50"	HF642-002		75lb (34kg)	VESA® 200 x 100, 200 x 200 and 400 x 200mm	0.81" (21mm) from wall	N/A	N/A	Double	136		
	40"-55"	HF642-003		100lb (45kg)	VESA® 400 x 400mm	0.75" (19mm) from wall	N/A	N/A	Double	137		

\* Designed for use with displays that are less than 3" (75mm) deep

To verify mount compatibility with any display or projector model use MountFinder™ at [peerless-av.com](http://peerless-av.com).



CALL: 630-375-5100  
800-865-2112



FAX: 630-820-8537  
800-359-6500



E-MAIL: [info@peerless-av.com](mailto:info@peerless-av.com)



ON-LINE: [peerless-av.com](http://peerless-av.com)

Product Type	Display Size Range	Model(s)	Picture	Max Load	Mounting Pattern (W x H)	Distance From the Wall	Tilt Range	Metal Stud Accessory	Single/ Double Stud Mounting	Catalog Page	
Tilt	SMARTMOUNT X	32"-60"	STX645(P)(L)		100lb (45kg)	431 x 405mm (16.96" x 15.95")	1.69"-6.55" (43-166mm)	+15°/-5°	ACC415	Double	81
		37"-75"	STX650(P)(L)		120lb (54kg)	723 x 405mm (28.46" x 15.95")	1.69"-6.55" (43-166mm)	+15°/-5°	ACC415	Double	81
		39"-90"	STX660(P)(L)		150lb (68kg)	805 x 405mm (31.71" x 15.95")	1.69"-6.55" (43-166mm)	+15°/-5°	ACC415	Double	81
	SMARTMOUNT	10"-29"	ST630(P)		80lb (36kg)	VESA® 75 and 100mm	1.58"-2.23" (40-57mm)	+15°/-5°	ACC215	Single	92
		22"-40"	ST632(P)		115lb (52kg)	VESA® 75, 100, 200 x 100 and 200 x 200mm	1.65"-2.82" (42-72mm)	+15°/-5°	ACC215	Single	93
		32"-50"	ST640(P)		150lb (68kg)	458 x 405mm (18.02" x 15.95")	2.62"-5.40" (67-137mm)	+15°/-5°	ACC415	Single / Double	94
		39"-75"	ST650(P)		175lb (79kg)	742 x 405mm (29.21" x 15.95")	2.62"-5.40" (67-137mm)	+15°/-5°	ACC415	Double	95
		39"-80"	ST660(P)		200lb (91kg)	824 x 405mm (32.44" x 15.95")	2.62"-5.40" (67-137mm)	+15°/-5°	ACC415	Double	95
		46"-90"	ST670(P)		250lb (113kg)	895 x 450mm (35.25" x 17.72")	3.00"-6.63" (76-168mm)	+15°/-5°	ACC615	Double / Triple	96
		60"-98"	ST680(P)		350lb (158kg)	1061 x 650mm (41.76" x 25.59")	3.38"-10.58" (86-269mm)	+15°/-5°	ACC615	Triple	97
		46"-90"	STP680		350lb (158kg)	450 x 650mm (17.72" x 25.59")	3.04"-8.77" (77-223mm)	+15°/-5°	ACC615	Triple	98
PARAMOUNT Designer Series		10"-29"	PT630		50lb (23kg)	VESA® 75 and 100mm	2.01"-2.98" (51-76mm)	+15°/-5°	ACC215	Single	118
		22"-40"	PT632		80lb (36kg)	VESA® 100, 200 x 100, and 200 x 200mm	2.01"-3.78" (51-96mm)	+15°/-5°	ACC215	Single	119
	32"-46"	PT640		100lb (45kg)	450 x 305mm (17.72" x 12.01")	2.63"-4.74" (67-120mm)	+15°/-5°	ACC415	Double	120	
	39"-75"	PT650		150lb (68kg)	750 x 405mm (29.52" x 15.95")	2.63"-5.50" (67-139mm)	+15°/-5°	ACC415	Double	121	
	39"-90"	PT660		200lb (91kg)	832 x 405mm (32.75" x 15.95")	2.63"-5.50" (67-139mm)	+15°/-5°	ACC415	Double	121	
	32"-50"	SUT646P		70lb (32kg)	485 x 307-411mm (19.10" x 12.08"-16.17")	1.00"-4.30" (25-109mm)	±10°	ACC415	Double	131	
	32"-80"	SUT670P		125lb (57kg)	685 x 307-411mm (26.97" x 12.08"-16.17")	1.00"-4.30" (25-109mm)	±10°	ACC415	Double	131	
Tilt Locking/ Security	32"-50"	HT642-002		75lb (34kg)	VESA® 200 x 100, 200 x 200 and 400 x 200mm	2.14" (54mm) from wall	+5°/-1°	N/A	Double	138	
	37"-55"	HT642-003		100lb (45kg)	VESA® 400 x 400mm	2.69" (68mm) from wall	+5°/-1°	N/A	Double	139	
	32"-50"	HT642-004		80lb (36.3kg)	VESA® 200 x 100 and 200 x 200mm	2.13" (54mm) from wall	+5°/-1°	N/A	Double	140	
	26"-32"	LT-320		80lb (36.3kg)	VESA® 200 x 100mm	2.53" (64mm) from wall	+10°/-2°	N/A	Single/Double	141	
Pivot	SMARTMOUNT	10"-29"	SP730P		25lb (11kg)	VESA® 75 x 75, 100 x 100mm	2.77"-9.88" (70-251mm)	±35°	WSP700/701	Single	101
		22"-40"	SP740P		80lb (36kg)	VESA® 100 x 100, 100 x 200 and 200 x 200mm	3.03"-12.41" (77-315mm)	+15°/-5°	WSP700/701	Single	102
		32"-50"	SP746PU		80lb (36kg)	400 x 400mm (15.75" x 15.75")	3.46"-12.84" (88-326mm)	+15°/-5°	WSP700/701	Single	102
	PARAMOUNT	10"-29"	PP730		25lb (11kg)	VESA® 75 and 100mm	2.75"-7.40" (70-188mm)	±15°	WSP700/701	Single	122
		22"-40"	PP740		80lb (36kg)	VESA® 100, 200 x 100 and 200 x 200mm	2.78"-7.43" (70-189mm)	+15°/-5°	WSP700/701	Single	123

To verify mount compatibility with any display or projector model use MountFinder™ at peerless-av.com.



CALL: 630-375-5100  
800-865-2112



FAX: 630-820-8537  
800-359-6500
























E-MAIL: info@peerless-av.com



ON-LINE: peerless-av.com



Product Type	Display Size Range	Model(s)	Picture	Max Load	Mounting Pattern (W x H)	Distance From the Wall	Tilt Range	Metal Stud Accessory	Single/ Double Stud Mounting	Catalog Page
Pull-Out Pivot	32"-55"	HPF650		60lb (27kg)	400 x 400mm (15.75" x 15.75")	2.32"-11.29" (59-287mm)	N/A	N/A	Double	103
	32"-55"	SP840		60lb (27kg)	400 x 400mm (15.75" x 15.95")	2.64"-11.55" (67-293mm)	0°, 3.3°, 6.6° or 10°	N/A	Double	105
	32"-80"	SP850-UNL(P)		150lb (68kg)	600 x 400mm (23.62" x 15.75")	2.73"-11.18" (69-284mm)	0°, 5°, 10°	N/A	Double	107
Articulating	37"-55"	SAX755PU		90lb (41kg)	600 x 400mm (23.62" x 15.75")	2.97"-26.47" (75-672mm)	+15°/-5°	WSP756	Single	82
	39"-75"	SAX762PU		125lb (57kg)	600 x 400mm (23.62" x 15.75")	3.10"-26.60" (79-676mm)	+15°/-5°	WSP756	Double	83
	46"-90"	SAX772PU		150lb (68kg)	800 x 400mm (31.50" x 15.75")	3.10"-26.60" (79-676mm)	+15°/-5°	WSP756	Double	84
	10"-29"	SA730P		25lb (11kg)	VESA® 75 x 75, 100 x 100mm	2.77"-16.99" (70-432mm)	±35°	WSP700/701	Single	108
	22"-40"	SA740P		80lb (36kg)	VESA® 100 x 100, 200 x 100 and 200 x 200mm	3.03"-21.80" (77-554mm)	+15°/-5°	WSP700/701	Single	109
	32"-50"	SA746PU		80lb (36kg)	400 x 400mm (15.75" x 15.75")	3.46"-22.22" (88-564mm)	+15°/-5°	WSP700/701	Single	110
	37"-55"	SA752PU		90lb (42kg)	600 x 400mm (23.62" x 15.75")	2.97"-26.47" (75-672mm)	+15°/-5°	WSP756	Single	111
	39"-75"	SA761PU		125lb (57kg)	600 x 400mm (23.62" x 15.75")	3.10"-26.60" (79-676mm)	+15°/-5°	WSP756	Double	112
	46"-90"	SA771PU		150lb (68kg)	800 x 400mm (31.50" x 15.75")	3.10"-26.60" (79-676mm)	+15°/-5°	WSP756	Double	113
	10"-29"	PA730		25lb (11kg)	VESA® 75 and 100mm	2.73"-14.85" (69-377mm)	±15°	WSP700/701	Single	124
	22"-40"	PA740		80lb (36kg)	VESA® 100, 200 x 100 and 200 x 200mm	2.80"-14.91" (71-379mm)	+15°/-5°	WSP700/701	Single	125
	32"-50"	PA746		80lb (36kg)	VESA® 100, 200 x 100, 200 x 200, 300 x 200, 300 x 300, 400 x 300 and 400 x 400mm	2.81"-15.08" (71-383mm)	+15°/-5°	WSP700/701	Single	126
	39"-75"	PA750		100lb (45kg)	600 x 400mm (23.62" x 15.75")	3.00"-21.35" (76-542mm)	+15°/-5°	N/A	Double	127
	39"-90"	PA762		150lb (68kg)	600 x 400mm (23.62" x 15.75")	3.00"-21.23" (76-539mm)	+15°/-5°	N/A	Double	128
	32"-40"	SUA740 for Ultra-thin displays only*		60lb (27kg)	VESA® 200 x 100 and 200 x 200mm	1.74"-24.74" (44-628mm)	+15°/-5°	WSP756	Single	132
	32"-50"	SUA747PU for Ultra-thin displays only*		60lb (27kg)	400 x 400mm (15.75" x 15.75")	1.85"-24.85" (47-631mm)	+15°/-5°	WSP756	Single	133
	37"-65"	SUA761PU for Ultra-thin displays only*		100lb (45kg)	600 x 400mm (23.62" x 15.75")	1.85"-24.85" (47-631mm)	+15°/-5°	WSP756	Double	134
	42"-90"	SUA771PU for Ultra-thin displays only*		125lb (57kg)	800 x 400mm (31.50" x 15.75")	1.85"-24.85" (47-631mm)	+15°/-5°	WSP756	Double	135

\* Designed for use with displays that are less than 3" (75mm) deep

To verify mount compatibility with any display or projector model use MountFinder™ at [peerless-av.com](http://peerless-av.com).



CALL: 630-375-5100  
800-865-2112


























FAX: 630-820-8537  
800-359-6500



E-MAIL: [info@peerless-av.com](mailto:info@peerless-av.com)



ON-LINE: [peerless-av.com](http://peerless-av.com)

Product Type	Display Size Range	Model(s)	Picture	Max Load	Mounting Pattern (W x H)	Distance From the Wall or Ceiling	Tilt Range	Metal Stud Accessory	Single/Double Stud Mounting	Catalog Page	
Media Storage Multi-Display Ceiling	26"-60"	DST360		150lb (68kg)	VESA® 100 x 100 up to 300 x 300mm	4.28" (109mm) from wall	+20°/-0°	N/A	Single/Double	143	
	40"-70"	DST970X2		250lb (113kg)	600 x 400mm (23.62" x 15.75")	Varies depending on extension column used	0°-20°	N/A	N/A	148	
	37"-80"	DST980-3		495lb (225kg)	730 x 405mm (28.75" x 15.95")	Varies depending on extension column used	0°-20°	N/A	N/A	149	
	37"-75"	DST975-4		500lb (227kg)	730 x 405mm (28.75" x 15.95")	Varies depending on extension column used	0°-20°	N/A	N/A	150	
	37"-42"	DST942-6		480lb (218kg)	730 x 405mm (28.75" x 15.95")	Varies depending on extension column used	0°-20°	N/A	N/A	151	
	40"-60"	DST660		125lb (57kg)	VESA® 200 x 100 up to 400 x 400mm	2.83" (72mm) from wall	+10°/-0°	N/A	Double	134	
	40"-95"	DST995		225lb (102kg)	VESA® 200 x 200, 300 x 300, 400 x 200, 400 x 300, and 400 x 400mm	Varies depending on extension column used	0°-15°	N/A	N/A	145	
	40"-65"	DST965		300lb (136kg)	730 x 405mm (28.75" x 15.95")	Varies depending on extension column used	20° fixed	N/A	N/A	147	
	32"-90"	PLCM-UNL		150lb (68kg)	600 x 400mm (23.62" x 15.75")	43.23" (1098mm) from ceiling	+20°/-5°	N/A	N/A	154	
	32"-90"	PLCM-UNL-CP		150lb (68kg)	600 x 400mm (23.62" x 15.75")	44.23" (1123mm) from ceiling	+20°/-5°	N/A	N/A	154	
	32"-90"	PLCM-2-UNL		150lb (68kg)	600 x 400mm (23.62" x 15.75")	Varies depending on extension column used	+20°/-5°	N/A	N/A	154	
	Up to 90"	PLCK-UNL		150lb (68kg)	600 x 400mm (23.62" x 15.75")	25.82" (656mm) from ceiling	+20°/-5°	N/A	N/A	156	
	Up to 40"	ST940-EXA		55lb (25kg)	VESA® 100 x 100, 200 x 100 and 200 x 200mm	16.54"-21.55" (420-547mm) from ceiling	+20°	N/A	N/A	157	
	Up to 40"	ST940-EXB		55lb (25kg)	VESA® 100 x 100, 200 x 100 and 200 x 200mm	21.52"-30.76" (547-781mm) from ceiling	+20°	N/A	N/A	157	
	Up to 40"	ST940-EXC		55lb (25kg)	VESA® 100 x 100, 200 x 100 and 200 x 200mm	29.80"-46.91" (757-1192mm) from ceiling	+20°	N/A	N/A	157	
	Modular	Up to 75"	MOD-FPSKIT100(B)		132lb (60kg)	600 x 400mm (23.62" x 15.75")	38.47" (977mm) from ceiling	+20°/-5°	N/A	N/A	158
		Up to 75"	MOD-FPSKIT150(B)		132lb (60kg)	600 x 400mm (23.62" x 15.75")	57.76" (1467mm) from ceiling	+20°/-5°	N/A	N/A	158
		Up to 75"	MOD-FCSKIT300(B)		132lb (60kg)	600 x 400mm (23.62" x 15.75")	120.11" (3051mm) floor-to-ceiling	+5°/-5°	N/A	N/A	158
46"-90"		MOD-FPS2KIT150(B)		211lb (96kg)	600 x 400mm (23.62" x 15.75")	59" (1.5m) from ceiling	+20°/-5°	N/A	N/A	160	
46"-90"		MOD-FCS2KIT300(B)		422lb (192kg)	600 x 400mm (23.62" x 15.75")	118" (3m) floor-to-ceiling	+20°/-5°	N/A	N/A	160	
46"-90"		MOD-FW2KIT300(B)		422lb (192kg)	600 x 400mm (23.62" x 15.75")	118" (3m) floor-to-wall	+20°/-5°	N/A	N/A	160	
46"-90"		MOD-FPP2KIT200(B)		422lb (192kg)	600 x 400mm (23.62" x 15.75")	78" (2m) from floor	+20°/-5°	N/A	N/A	160	
Truss	40"-90"	DSF290		175lb (79kg)	VESA® 100, 200, 300 and 400mm	N/A	N/A	N/A	N/A	162	

SMARTMOUNT.

To verify mount compatibility with any display or projector model use MountFinder™ at [peerless-av.com](http://peerless-av.com).



CALL: 630-375-5100  
800-865-2112

























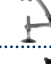



FAX: 630-820-8537  
800-359-6500



E-MAIL: [info@peerless-av.com](mailto:info@peerless-av.com)



ON-LINE: [peerless-av.com](http://peerless-av.com)

Product Type	Display Size Range	Model(s)	Picture	Max Load	Mounting Pattern (W x H)	Distance From the Wall, Base or Floor	Tilt Range	Metal Stud Accessory	Single/ Double Stud Mounting	Catalog Page	
<b>Carts</b>	<b>SMARTMOUNT</b>	32"-75"	SR560M		150lb (68.2kg) display	VESA® 200 x 200 up to 600 x 400mm	68.38" (1736mm) from floor	-5°, 0°	N/A	N/A	163
		32"-75"	SR575M		150lb (68.2kg) display	VESA® 200 x 200 up to 600 x 400mm	68.38" (1736mm) from floor	-5°, 0°	N/A	N/A	164
		32"-75"	SR575K		150lb (68.2kg) display	VESA® 200 x 200 up to 600 x 400mm	46.12" (1172mm) from floor	0°, +90°	N/A	N/A	165
		55"-98"	SR598		225lb (102.3kg) display	VESA® 200 x 200 up to 900 x 600mm	68.38" (1736mm) from floor	-5°, 0°	N/A	N/A	166
		40"-55"	SR555E		75lb (43.1kg) display	VESA® 200 x 200 up to 400 x 400mm	78.10" (1983mm) from floor	N/A	N/A	N/A	167
		32"-75"	SR575E		150lb (68.2kg) display	VESA® 200 x 200 up to 600 x 400mm	78.10" (1983mm) from floor	N/A	N/A	N/A	167
		40"-55"	SR555M		75lb (43.1kg) display	VESA® 200 x 200 up to 400 x 400mm	78.10" (1983mm) from floor	-5°, 0°	N/A	N/A	168
		for Computer Workstation Monitors	HCC501		25lb (11kg)	VESA® 75 x 75 and 100 x 100mm	55.45"-59.45" (1408-1510mm) from floor to monitor	N/A	N/A	N/A	169
<b>Stands</b>	<b>SMARTMOUNT</b>	32"-75"	SS560F/M/G		150lb (68.2kg) display	VESA® 200 x 200 up to 600 x 400mm	68.41" (1738mm) from floor	-5°, 0°	N/A	N/A	170, 171
		32"-75"	SS575K		150lb (68.2kg) display	VESA® 200 x 200 up to 600 x 400mm	46.12" (1172mm) from floor	0°, +90°	N/A	N/A	172
		up to 75"	FPZ-600		200lb (90.7kg) per display	VESA® 100, 200 x 100 and 200 x 200mm	72.33" (1837mm) from floor	N/A	N/A	N/A	173
		up to 90"	FPZ-670		200lb (90.7kg) per display	VESA® 200 x 200mm	72.33" (1837mm) from floor	N/A	N/A	N/A	174
		up to 30"	LCFS-100		25lb (11kg) freestanding 40lb (18kg) bolted down	VESA® 75 and 100mm	60.90"-80.00" (1547-2032mm) from floor	N/A	N/A	N/A	175
<b>Desktop and Tablet Mounts</b>	32"-60"	ACSTA1-US		132lb (60kg)	VESA® up to 700mm	N/A	N/A	N/A	N/A	177	
	26"-37"	HP432-002		80lb (36.4kg)	VESA® 100 x 100, 200 x 100 and 200 x 200mm	see drawings	N/A	N/A	N/A	178	
	32"-47"	HP447		75lb (34.1kg)	VESA® 200 x 100, 200 x 200mm	see drawings	N/A	N/A	N/A	179	
	32"-55"	HP455		75lb (34.1kg)	VESA® 200 x 200, 200 x 400, 300 x 300 and 400 x 400mm	see drawings	N/A	N/A	N/A	180	
	for Tablets less than 0.75" (19mm) deep	PTM200		5lb (2.3kg)	VESA® 75 x 75mm	N/A	N/A	N/A	N/A	181	
	for Tablets less than 0.75" (19mm) deep	PTM400		5lb (2.3kg)	N/A	N/A	±30°	N/A	N/A	181	
	up to 29" monitors	LCT100S		20lb (9kg)	VESA® 75 and 100mm	see drawings	±40°	N/A	N/A	183	
	up to 29" monitors	LCT620A(-G)		8.4-17.8lb (3.8-8.1kg) per arm	VESA® 75 and 100mm	see drawings	+45°/-90°	N/A	N/A	184	
	up to 29" monitors	LCT620AD(-G)		8.4-17.8lb (3.8-8.1kg) per arm	VESA® 75 and 100mm	see drawings	+45°/-90°	N/A	N/A	185	
	up to 24" monitors	LCT620AT-G		8.4-17.8lb (3.8-8.1kg) per arm	VESA® 75 and 100mm	see drawings	+45°/-90°	N/A	N/A	186	
	up to 24" monitors	LCT620AQ-G		8.4-17.8lb (3.8-8.1kg) per arm	VESA® 75 and 100mm	see drawings	+45°/-90°	N/A	N/A	187	
	up to 29" monitors	LCW620A		8.4-17.8lb (3.8-8.1kg) per arm	VESA® 75 and 100mm	see drawings	+45°/-90°	N/A	Single	188	
	up to 29" monitors	LCW620AD		8.4-17.8lb (3.8-8.1kg) per arm	VESA® 75 and 100mm	see drawings	+45°/-90°	N/A	Single	188	

To verify mount compatibility with any display or projector model use MountFinder™ at [peerless-av.com](http://peerless-av.com).



CALL: 630-375-5100  
800-865-2112



FAX: 630-820-8537  
800-359-6500



E-MAIL:  
[info@peerless-av.com](mailto:info@peerless-av.com)



ON-LINE:  
[peerless-av.com](http://peerless-av.com)



MODELS

Universal Models:

Includes theft resistant hardware for attaching display to mount

<b>SFX645</b>	32" to 60" Displays	Black
<b>SFX650</b>	37" to 75" Displays	Black
<b>SFX660</b>	39" to 90" Displays	Black

Includes standard hardware (hex or Phillips) for attaching display to mount

<b>SFX645P</b>	32" to 60" Displays	Black
<b>SFX650P</b>	37" to 75" Displays	Black
<b>SFX660P</b>	39" to 90" Displays	Black

DISPLAY ADAPTOR



Mounting Pattern (W x H)

Universal Models

<b>SFX645(P):</b>	452 x 405mm (17.79" x 15.95")
<b>SFX650(P):</b>	744 x 405mm (29.29" x 15.95")
<b>SFX660(P):</b>	827 x 405mm (32.54" x 15.95")



VESA® Pattern

Universal Models

<b>SFX645(P):</b>	Up to 400 x 400mm
<b>SFX650(P):</b>	Up to 600 x 400mm
<b>SFX660(P):</b>	Up to 800 x 400mm

SPECIFICATIONS



Distance from Wall

1.21" (31mm)



Max Load

<b>SFX645(P):</b>	100lb (45kg)
<b>SFX650(P):</b>	120lb (54kg)
<b>SFX660(P):</b>	150lb (68kg)

Product Dimensions (W x H x D)

<b>SFX645(P):</b>	19.37" x 16.89" x 1.21" (492 x 429 x 31mm)
<b>SFX650(P):</b>	30.87" x 16.89" x 1.21" (784 x 429 x 31mm)
<b>SFX660(P):</b>	34.12" x 16.89" x 1.21" (867 x 429 x 31mm)

Mounting Surfaces

Wood stud, concrete, cinder/breeze block and metal stud  
(Metal stud accessory required)

Ship Weight

<b>SFX645(P):</b>	6.5lb (2.95kg)
<b>SFX650(P):</b>	8.3lb (3.76kg)
<b>SFX660(P):</b>	9.7lb (4.4kg)

CERTIFICATIONS



ACCESSORIES



**ACC415:**  
4-pack Metal Stud  
Fastener Kit ..... pg# 234



**ACC-WMVS:**  
Video Conferencing Shelf ... pg# 217, 226



**IBA4-W:**  
Easy Mount Recessed  
Low Voltage Cable Plate..... pg# 227



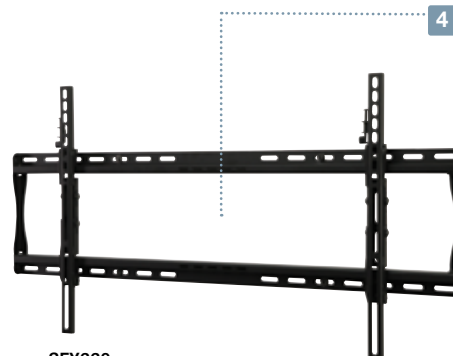
**ACCXT402:**  
Recessed Power Outlet with Low  
Voltage In-Wall Cable Routing... pg# 226



**ESHV models:**  
AV Wall Shelves ..... pg# 212

SMARTMOUNT XT Universal Flat Wall Mount  
For 32" to 90" Displays

1. Low-profile design holds display 1.21" (31mm) from wall
2. Up to 1.00" (25mm) of vertical adjustment on each universal display adaptor bracket for post-installation leveling and height adjustment fine-tuning
3. Up to 13.00" (330mm) of horizontal display adjustment for centering display on wall with SFX645(P), up to 25.00" (635mm) with SFX650(P) and up to 24.00" (610mm) with SFX660(P) models
4. Open wall plate design allows for total wall access, increasing electrical and cable management options
5. Easy-Glide™ design ensures that the display is securely attached to the wall plate
6. Universal display adaptor brackets easily hook onto wall plate for fast installation



SFX660

SFX645



Reseller Authorization Required

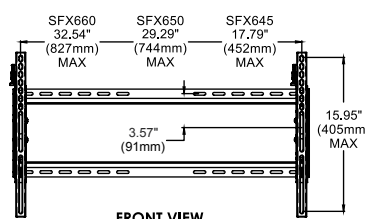
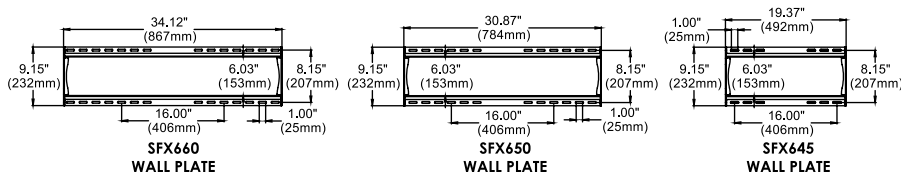


INTEGRATED  
PARTNER  
PROGRAM

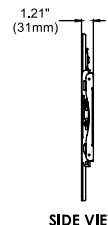
Please visit [peerless-av.com/en-us/patents](http://peerless-av.com/en-us/patents) for patent information.

TECHNICAL DRAWINGS

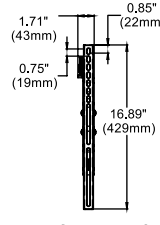
For expanded product information and technical data visit [peerless-av.com](http://peerless-av.com)



FRONT VIEW



SIDE VIEW



VERTICAL ADAPTOR

To verify mount compatibility with any display or projector model use MountFinder™ at [peerless-av.com](http://peerless-av.com).

CALL: 630-375-5100  
800-865-2112

FAX: 630-820-8537  
800-359-6500

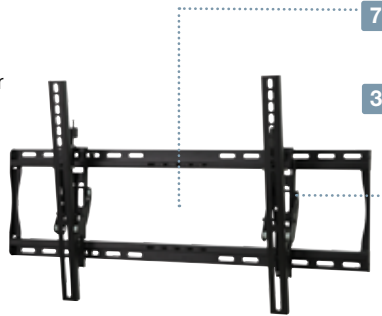
E-MAIL: [info@peerless-av.com](mailto:info@peerless-av.com)

ON-LINE: [peerless-av.com](http://peerless-av.com)

# SMARTMOUNT XT Universal Tilt Wall Mount

## For 32" to 90" Displays

1. Low-profile design holds display 1.69" (43mm) from wall
2. Increased security with included Master Lock 510KAD keyed-alike padlock on STX645L, STX650L and STX660L only
3. Universal tilt adaptor brackets offer up to +15/-5° of One-Touch™ tilt adjustment in one easy motion
4. Included IncreLok™ feature offers fixed tilt lock in 5° increments when used
5. Up to 1.00" (25mm) of vertical adjustment on each universal display adaptor bracket for post-installation leveling and height adjustment fine-tuning
6. Up to 13.00" (330mm) of horizontal display adjustment for centering display on wall with STX645(L)(P), up to 24.00" (610mm) with STX650(L)(P) and up to 23.00" (584mm) with STX660(L)(P) models
7. Open wall plate design allows for total wall access, increasing electrical and cable management options
8. Universal tilt adaptor brackets easily hook onto wall plate for fast installation
9. 5° of negative tilt offers 3.00" (76mm) of space for hands-free, behind the display access



STX650



Reseller Authorization Required

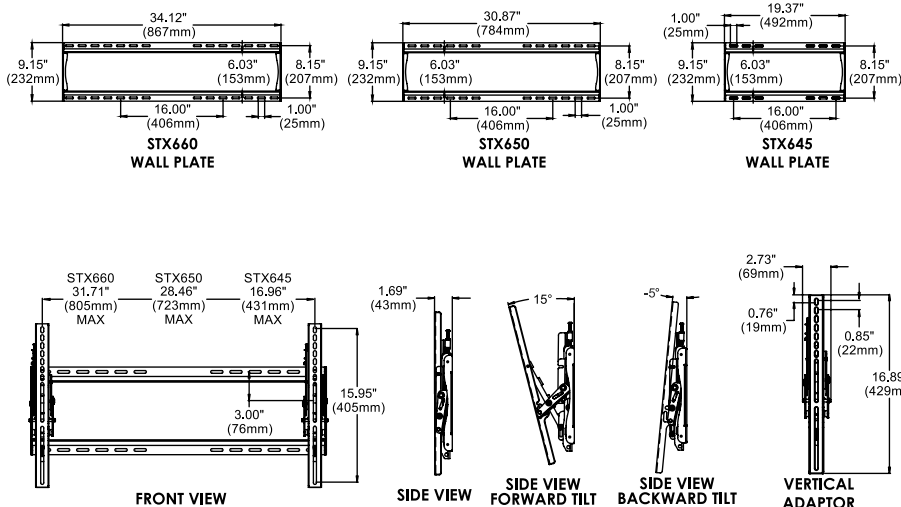


INTEGRATED PARTNER PROGRAM

Please visit [peerless-av.com/en-us/patents](http://peerless-av.com/en-us/patents) for patent information.

For expanded product information and technical data visit [peerless-av.com](http://peerless-av.com)

### TECHNICAL DRAWINGS



To verify mount compatibility with any display or projector model use MountFinder™ at [peerless-av.com](http://peerless-av.com).

CALL: 630-375-5100 / 800-865-2112 | FAX: 630-820-8537 / 800-359-6500 | E-MAIL: [info@peerless-av.com](mailto:info@peerless-av.com) | ON-LINE: [peerless-av.com](http://peerless-av.com)

### DISPLAY MOUNTS



SMARTMOUNT XT WALL MOUNTS

### MODELS

#### Universal Models:

Includes theft resistant hardware for attaching display to mount

<b>STX645</b>	32" to 60" Displays	Black	
<b>STX645L</b>	32" to 60" Displays	Black	Locking
<b>STX650</b>	37" to 75" Displays	Black	
<b>STX650L</b>	37" to 75" Displays	Black	Locking
<b>STX660</b>	39" to 90" Displays	Black	
<b>STX660L</b>	39" to 90" Displays	Black	Locking

Includes standard hardware (hex or Phillips) for attaching display to mount

<b>STX645P</b>	32" to 60" Displays	Black
<b>STX650P</b>	37" to 75" Displays	Black
<b>STX660P</b>	39" to 90" Displays	Black

### DISPLAY ADAPTOR



Mounting Pattern (W x H)

#### Universal Models

<b>STX645(L)(P):</b>	431 x 405mm (16.96" x 15.95")
<b>STX650(L)(P):</b>	723 x 405mm (28.46" x 15.95")
<b>STX660(L)(P):</b>	805 x 405mm (31.71" x 15.95")



#### VESA® Pattern

#### Universal Models

<b>STX645(L)(P):</b>	Up to 400 x 400mm
<b>STX650(L)(P):</b>	Up to 600 x 400mm
<b>STX660(L)(P):</b>	Up to 800 x 400mm

### SPECIFICATIONS



Distance from Wall

1.69"-6.55" (43-166mm)



Tilt

+15/-5°



Max Load

<b>STX645(L)(P):</b>	100lb (45kg)
<b>STX650(L)(P):</b>	120lb (54kg)
<b>STX660(L)(P):</b>	150lb (68kg)

Product Dimensions (W x H x D)

<b>STX645(L)(P):</b>	19.37" x 16.89" x 1.69"-6.55" (492 x 429 x 43-166mm)
<b>STX650(L)(P):</b>	30.87" x 16.89" x 1.69"-6.55" (784 x 429 x 43-166mm)
<b>STX660(L)(P):</b>	34.12" x 16.89" x 1.69"-6.55" (867 x 429 x 43-166mm)

#### Mounting Surfaces

Wood stud, concrete, cinder/breeze block and metal stud (Metal stud accessory required)

#### Ship Weight

<b>STX645(L)(P):</b>	9.1lb (4.13kg)
<b>STX650(L)(P):</b>	11lb (4.99kg)
<b>STX660(L)(P):</b>	11.7lb (5.31kg)

### CERTIFICATIONS



UL

os

pd

RoHS

### ACCESSORIES



#### ACC415:

4-pack Metal Stud Fastener Kit ..... pg# 234



#### ACC-WMVCs:

Video Conferencing Shelf ... pg# 217, 226



#### IBA4-W:

Easy Mount Recessed Low Voltage Cable Plate..... pg# 227



#### ACCXT402:

Recessed Power Outlet with Low Voltage In-Wall Cable Routing .. pg# 226



#### ESHV models:

AV Wall Shelves ..... pg# 212



MODELS

Universal Models:

Includes theft resistant hardware for attaching display to mount

**SAX755PU** Black

DISPLAY ADAPTOR

Mounting Pattern (W x H)

Universal Models: 600 x 400mm  
(23.62" x 15.75")

VESA® Pattern

Universal Models: 200 x 100 to 600 x 400mm

SPECIFICATIONS

Distance from Wall  
2.97"-26.47" (75-672mm)

Tilt | Swivel | Roll  
+15/-5° | ±90° | ±5°

Max Load  
90lb (41kg)

Landscape to Portrait  
Display can be rotated landscape to portrait without removing the display

Product Dimensions (W x H x D)  
24.50" x 17.46" x 2.97"-26.47"  
(622 x 444 x 75-672mm)

Mounting Surfaces  
Wood stud, concrete, cinder/breeze block and metal stud  
(Metal stud accessory required)

Ship Weight  
22.7lb (10.3kg)

CERTIFICATIONS



ACCESSORIES

**WSP756:**  
Metal Stud Wall Plate ..... pg# 233

**ACC-WMVCs:**  
Video Conferencing Shelf ... pg# 217, 226

**IBA4-W:**  
Easy Mount Recessed  
Low Voltage Cable Plate ..... pg# 227

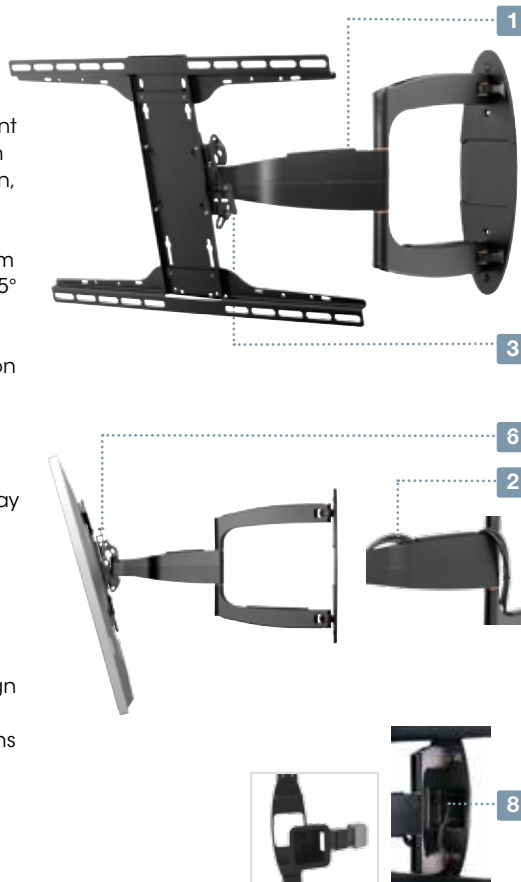
**IBA5-W:**  
Recessed Low Voltage Media Plate  
with Duplex Surge Suppressor... pg# 227

**ACCXT400:**  
Recessed Power Outlet with Low  
Voltage In-Wall Cable Routing... pg# 226

SMARTMOUNT XT Articulating Wall Arm

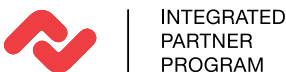
For 37" to 55" Displays

1. Low-profile when retracted at 2.97" (75mm) and can extend up to 26.47" (672mm) from the wall
2. Internal cable management provides ample area to run cables to complete a clean, professional installation
3. One-Touch™ tilt mechanism allows adjustment of +15/-5° without the use of tools
4. ±5° of roll for post-installation leveling
5. Display can be rotated from landscape to portrait without removing the display
6. ±0.5" (13mm) of vertical adjustment for post-installation height adjustment fine-tuning
7. Single stud wall plate design increases electrical and cable management options
8. Removable cover for wall plate knockout included



Optional Accessory ACCXT400

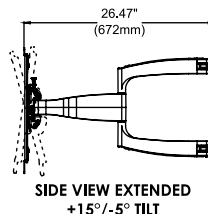
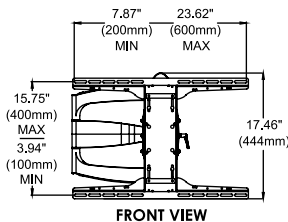
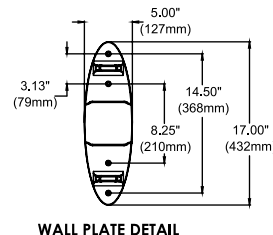
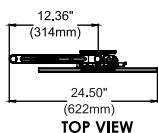
Reseller Authorization Required



Please visit [peerless-av.com/en-us/patents](http://peerless-av.com/en-us/patents) for patent information.

TECHNICAL DRAWINGS

For expanded product information and technical data visit [peerless-av.com](http://peerless-av.com)



To verify mount compatibility with any display or projector model use MountFinder™ at [peerless-av.com](http://peerless-av.com).

CALL: 630-375-5100  
800-865-2112

FAX: 630-820-8537  
800-359-6500

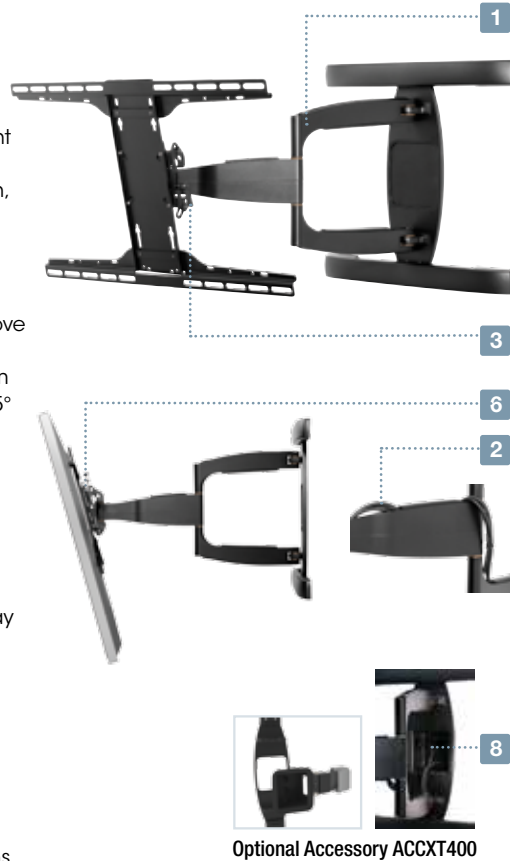
E-MAIL: [info@peerless-av.com](mailto:info@peerless-av.com)

ON-LINE: [peerless-av.com](http://peerless-av.com)

# SMARTMOUNT XT Articulating Wall Arm

For 39" to 75" Displays

1. Low-profile when retracted at 3.10" (79mm) and can extend up to 26.60" (676mm) from the wall
2. Internal cable management provides ample area to run cables to complete a clean, professional installation
3. Stylish wall plate covers create a finished look and are easy to install and remove
4. One-Touch™ tilt mechanism allows adjustment of +15/-5° without the use of tools
5. ±5° of roll for post-installation leveling
6. Display can be rotated from landscape to portrait without removing the display
7. ±0.5" (13mm) of vertical adjustment for post-installation height adjustment fine-tuning
8. Open wall plate design increases electrical and cable management options
9. Removable cover for wall plate knockout included



Optional Accessory ACCX400

Reseller Authorization Required

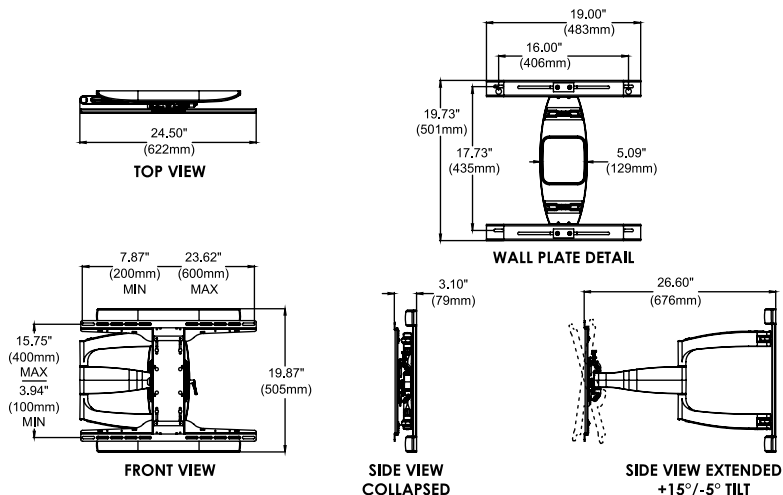


INTEGRATED  
PARTNER  
PROGRAM

Please visit [peerless-av.com/en-us/patents](http://peerless-av.com/en-us/patents) for patent information.

For expanded product information and technical data visit [peerless-av.com](http://peerless-av.com)

## TECHNICAL DRAWINGS



To verify mount compatibility with any display or projector model use MountFinder™ at [peerless-av.com](http://peerless-av.com).



CALL: 630-375-5100  
800-865-2112



FAX: 630-820-8537  
800-359-6500



E-MAIL:  
[info@peerless-av.com](mailto:info@peerless-av.com)



ON-LINE:  
[peerless-av.com](http://peerless-av.com)

## DISPLAY MOUNTS



SMARTMOUNT XT  
WALL MOUNTS

## MODELS

### Universal Models:

Includes theft resistant hardware for attaching display to mount

**SAX762PU** Black

## DISPLAY ADAPTOR



Mounting Pattern (W x H)

Universal Models: 600 x 400mm  
(23.62" x 15.75")



VESA® Pattern

Universal Models: 200 x 100 to 600 x 400mm

## SPECIFICATIONS



Distance from Wall

3.10"-26.60" (79-676mm)



Tilt | Swivel | Roll

+15/-5° | ±90° | ±5°



Max Load

125lb (57kg)



Landscape to Portrait

Display can be rotated landscape to portrait without removing the display

Product Dimensions (W x H x D)

24.50" x 19.87" x 3.10"-26.60"  
(622 x 505 x 79-676mm)

Mounting Surfaces

Wood stud, concrete, cinder/breeze block and metal stud  
(Metal stud accessory required)

Ship Weight

33.61lb (15.2kg)

## CERTIFICATIONS



RoHS

## ACCESSORIES



### WSP756:

Metal Stud Wall Plate ..... pg# 233



### ACC-WMVCs:

Video Conferencing Shelf ... pg# 217, 226



### IBA4-W:

Easy Mount Recessed  
Low Voltage Cable Plate ..... pg# 227



### IBA5-W:

Recessed Low Voltage Media Plate  
with Duplex Surge Suppressor... pg# 227



### ACCX400:

Recessed Power Outlet with Low  
Voltage In-Wall Cable Routing.. pg# 226



MODELS

Universal Models:

Includes theft resistant hardware for attaching display to mount  
**SAX772PU** Black

DISPLAY ADAPTOR



Mounting Pattern (W x H)

Universal Models: 800 x 400mm  
(31.50" x 15.75")



VESA® Pattern

Universal Models: 200 x 100 to 800 x 400mm

SPECIFICATIONS



Distance from Wall

3.10"-26.60" (79-676mm)



Tilt | Swivel | Roll

+15/-5° | ±90° | ±5°



Max Load

150lb (68kg)



Landscape to Portrait

Display can be rotated landscape to portrait without removing the display

Product Dimensions (W x H x D)

32.25" x 19.87" x 3.10"-26.60"  
(819 x 505 x 79-676mm)

Mounting Surfaces

Wood stud, concrete, cinder block and metal stud  
(Metal stud accessory required)

Ship Weight

42.0lb (19.1kg)

CERTIFICATIONS



ACCESSORIES



**WSP756:**  
Metal Stud Wall Plate ..... pg# 233



**ACC-WMVCs:**  
Video Conferencing Shelf ... pg# 217, 226



**IBA4-W:**  
Easy Mount Recessed  
Low Voltage Cable Plate ..... pg# 227



**IBA5-W:**  
Recessed Low Voltage Media Plate  
with Duplex Surge Suppressor... pg# 227

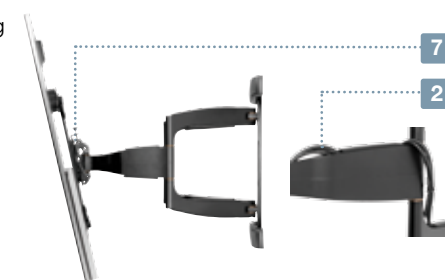
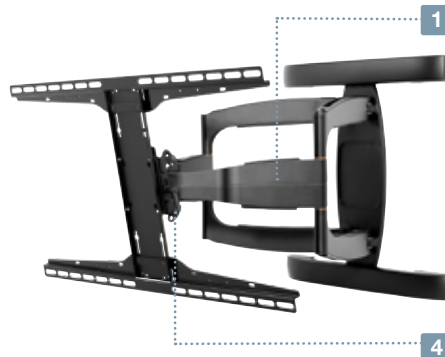


**ACCXT400:**  
Recessed Power Outlet with Low  
Voltage In-Wall Cable Routing .. pg# 226

SMARTMOUNT XT Articulating Wall Arm

For 46" to 90" Displays

1. Low-profile when retracted at 3.10" (79mm) and can extend up to 26.60" (676mm) from the wall
2. Internal cable management provides ample area to run cables to complete a clean, professional installation
3. Stylish wall plate covers create a finished look and are easy to install and remove
4. One-Touch™ tilt mechanism allows adjustment of +15/-5° without the use of tools
5. ±5° of roll for post-installation leveling
6. Display can be rotated from landscape to portrait without removing the display
7. ±0.5" (13mm) of vertical adjustment for post-installation height adjustment fine-tuning
8. Dual arms for a more robust installation
9. Open wall plate design increases electrical and cable management options
10. Removable cover for wall plate knockout included



Optional Accessory ACCXT400

Reseller Authorization Required

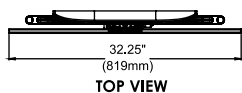


INTEGRATED  
PARTNER  
PROGRAM

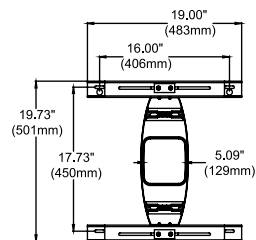
Please visit [peerless-av.com/en-us/patents](http://peerless-av.com/en-us/patents) for patent information.

TECHNICAL DRAWINGS

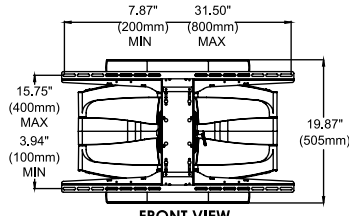
For expanded product information and technical data visit [peerless-av.com](http://peerless-av.com)



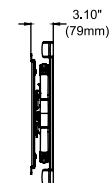
TOP VIEW



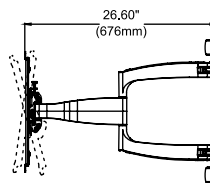
WALL PLATE DETAIL



FRONT VIEW



SIDE VIEW  
COLLAPSED



SIDE VIEW EXTENDED  
+15°/-5° TILT

To verify mount compatibility with any display or projector model use MountFinder™ at [peerless-av.com](http://peerless-av.com).



CALL: 630-375-5100  
800-865-2112



FAX: 630-820-8537  
800-359-6500



E-MAIL:  
[info@peerless-av.com](mailto:info@peerless-av.com)



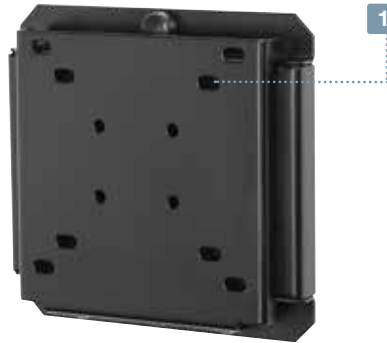
ON-LINE:  
[peerless-av.com](http://peerless-av.com)



# SMARTMOUNT. Flat Wall Mount

For 10" to 29" Displays

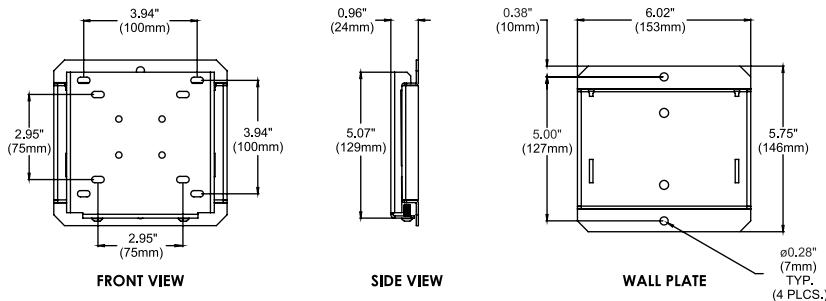
1. VESA® 75 and 100mm compliant
2. Low-profile design holds display 0.96" (24mm) away from the wall
3. Display adaptor plate simply hooks onto wall plate for quick and easy installation



Please visit [peerless-av.com/en-us/patents](http://peerless-av.com/en-us/patents) for patent information.

For expanded product information and technical data visit [peerless-av.com](http://peerless-av.com)

## TECHNICAL DRAWINGS



## MODELS

### Universal Models:

Includes theft resistant hardware for attaching display to mount

**SF630** Semi-gloss black

Includes standard hardware (hex or Phillips) for attaching display to mount

**SF630P** Semi-gloss black

## DISPLAY ADAPTOR



### VESA® Pattern

Universal Models: 75 and 100mm

## SPECIFICATIONS



### Distance from Wall

0.96" (24mm)



### Max Load

80lb (36kg)

### Product Dimensions (W x H x D)

6.02" x 5.75" x 0.96"  
(153 x 146 x 24mm)

### Mounting Surfaces

Wood stud, concrete, cinder/breeze block and metal stud (Metal stud accessory required)

### Ship Weight

2.2lb (1.0kg)



Color Packaging

## CERTIFICATIONS



## ACCESSORIES



### ACC215:

2-pack Metal Stud Fastener Kit ..... pg# 234



### ACC2X1:

VESA® 200 x 100mm Adaptor Plate..... pg# 226



### IBA4-W:

Easy Mount Recessed Low Voltage Cable Plate..... pg# 227



### IBA5-W:

Recessed Low Voltage Media Plate with Duplex Surge Suppressor ..... pg# 227



### ESHV models:

AV Wall Shelves ..... pg# 212

To verify mount compatibility with any display or projector model use MountFinder™ at [peerless-av.com](http://peerless-av.com).



CALL: 630-375-5100  
800-865-2112



FAX: 630-820-8537  
800-359-6500



E-MAIL: [info@peerless-av.com](mailto:info@peerless-av.com)



ON-LINE: [peerless-av.com](http://peerless-av.com)



MODELS

Universal Models:

Includes theft resistant hardware for attaching display to mount

**SF632** Semi-gloss black

Includes standard hardware (hex or Phillips) for attaching display to mount

**SF632P** Semi-gloss black

DISPLAY ADAPTOR

VESA® Pattern

Universal Models: 75, 100, 200 x 100 and 200 x 200mm

SPECIFICATIONS

Distance from Wall

1.02" (26mm)

Max Load

115lb (52kg)

Product Dimensions (W x H x D)

8.75" x 8.75" x 1.02"  
(222 x 222 x 26mm)

Mounting Surfaces

Wood stud, concrete, cinder/breeze block and metal stud (Metal stud accessory required)

Ship Weight

3.8lb (1.7kg)

Color Packaging

CERTIFICATIONS



ACCESSORIES



**ACC215:**  
2-pack Metal Stud Fastener Kit ..... pg# 234



**ACC4X4:**  
VESA® 400 x 400mm Adaptor Plate..... pg# 226



**IBA4-W:**  
Easy Mount Recessed Low Voltage Cable Plate ..... pg# 227



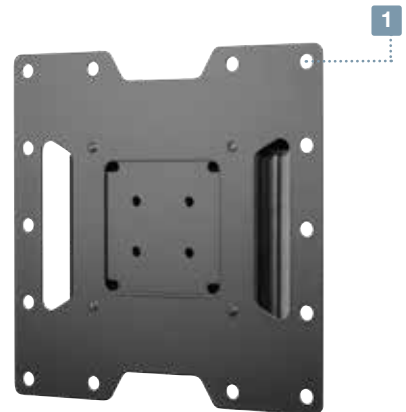
**IBA5-W:**  
Recessed Low Voltage Media Plate with Duplex Surge Suppressor ..... pg# 227



**ESHV models:**  
AV Wall Shelves..... pg# 212

SMARTMOUNT Flat Wall Mount  
For 22" to 40" Displays

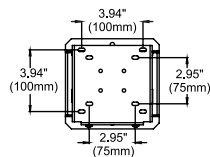
1. VESA® 75, 100, 200 x 100 and 200 x 200mm compliant
2. Low-profile design holds display 1.02" (25mm) away from the wall
3. Display adaptor plate simply hooks onto wall plate for quick and easy installation
4. Compatible with displays that use M8 screws



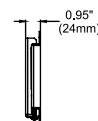
Please visit [peerless-av.com/en-us/patents](http://peerless-av.com/en-us/patents) for patent information.

TECHNICAL DRAWINGS

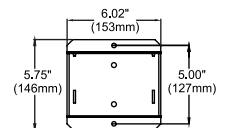
For expanded product information and technical data visit [peerless-av.com](http://peerless-av.com)



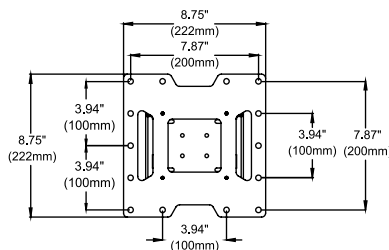
FRONT VIEW  
VESA 75/100



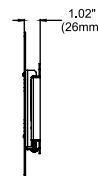
SIDE VIEW  
VESA 75/100



WALL PLATE  
DETAIL



FRONT VIEW  
VESA 100/200



SIDE VIEW  
VESA 100/200

To verify mount compatibility with any display or projector model use MountFinder™ at [peerless-av.com](http://peerless-av.com).



CALL: 630-375-5100  
800-865-2112



FAX: 630-820-8537  
800-359-6500



E-MAIL: [info@peerless-av.com](mailto:info@peerless-av.com)

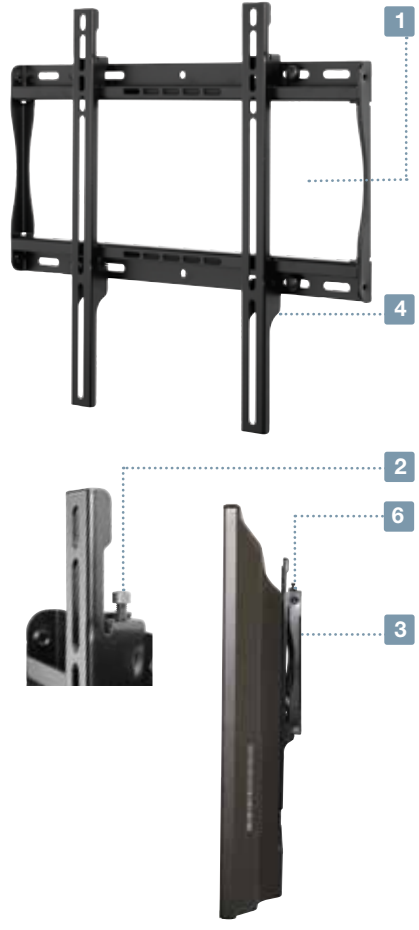


ON-LINE: [peerless-av.com](http://peerless-av.com)

# SMARTMOUNT. Universal Flat Wall Mount

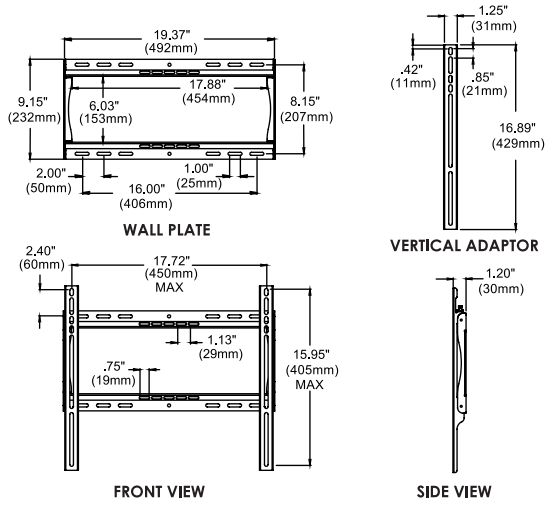
## For 32" to 50" Displays

1. Open wall plate design allows for total wall access, increasing electrical and cable management options
2. Up to 0.25" (6mm) of vertical adjustment on each universal display adaptor bracket for post-installation leveling and height adjustment fine-tuning
3. Low-profile design holds display only 1.20" (30mm) from the wall
4. Easy-Glide™ design ensures display is securely attached to wall plate
5. Horizontal display adjustment up to 6.00" (152mm) for centering display on wall
6. Universal display adaptors easily hook onto wall plate for fast installation
7. Fits displays with mounting hole patterns up to 450 x 405mm (17.72"W x 15.95"H)
8. Landscape to portrait mounting options increases installation versatility. Please check your display dimensions against the wall plate when used in portrait mode\*.



\* Requires display to be removed and reset on mount  
Please visit [peerless-av.com/en-us/patents](http://peerless-av.com/en-us/patents) for patent information.

For expanded product information and technical data visit [peerless-av.com](http://peerless-av.com) **TECHNICAL DRAWINGS**



### DISPLAY MOUNTS



### MODELS

- Universal Models:**  
 Includes theft resistant hardware for attaching display to mount  
**SF640** Semi-gloss black  
 Includes standard hardware (hex or Phillips) for attaching display to mount  
**SF640P** Semi-gloss black

### DISPLAY ADAPTOR

**Mounting Pattern**  
 Universal Models: 450 x 405mm (17.72"W x 15.95"H)  
 Many 42" flat panel displays have mounting hole patterns larger than dimensions above. Use MountFinder™ to verify mount compatibility.

**VESA® Pattern**  
 Universal Models: Up to 400 x 400mm

### SPECIFICATIONS

<b>Distance from Wall</b>	1.20" (30mm)
<b>Max Load</b>	150lb (68kg)
<b>Product Dimensions (W x H x D)</b>	19.37" x 16.89" x 1.20" (492 x 429 x 30mm)
<b>Mounting Surfaces</b>	Wood stud, concrete, cinder/breeze block and metal stud (Metal stud accessory required)
<b>Ship Weight</b>	5.40lb (2.45kg)

Color Packaging

### CERTIFICATIONS



### ACCESSORIES

- ACC415:** 4-pack Metal Stud Fastener Kit ..... pg# 234
- ACC309:** Video Conference Shelf ..... pg# 216
- ACC-WMVCs:** Video Conferencing Shelf ... pg# 217, 226
- IBA4-W:** Easy Mount Recessed Low Voltage Cable Plate ..... pg# 227
- ESHV models:** AV Wall Shelves ..... pg# 212



MODELS

Universal Models:

Includes theft resistant hardware for attaching display to mount

- SF650** 39" to 75" Displays Semi-gloss black
- SF660** 39" to 80" Displays Semi-gloss black

Includes standard hardware (hex or Phillips) for attaching display to mount

- SF650P** 39" to 75" Displays Semi-gloss black
- SF660P** 39" to 80" Displays Semi-gloss black

DISPLAY ADAPTOR

Mounting Pattern (W x H)

Universal Models:

- SF650(P):** 742 x 405mm (29.21" x 15.95")
- SF660(P):** 824 x 405mm (32.44" x 15.95")



VESA® Pattern

Universal Models:

- SF650(P):** Up to 600 x 400mm
- SF660(P):** Up to 800 x 400mm

SPECIFICATIONS

Distance from Wall

1.20" (30mm)



Max Load

- SF650(P):** 175lb (79kg)
- SF660(P):** 200lb (91kg)

Product Dimensions (W x H x D)

- SF650(P):** 30.87" x 16.89" x 1.20"  
(784 x 429 x 30mm)
- SF660(P):** 34.12" x 16.89" x 1.20"  
(867 x 429 x 30mm)

Mounting Surfaces

Wood stud, concrete, cinder/breeze block and metal stud  
(Metal stud accessory required)

Ship Weight

- SF650(P):** 7.15lb (3.24kg)
- SF660(P):** 7.60lb (3.45kg)



Color Packaging

CERTIFICATIONS



ACCESSORIES



**ACC415:**  
4-pack Metal Stud  
Fastener Kit ..... pg# 234



**ACC309:**  
Video Conference Shelf ..... pg# 216



**ACC-WMVCs:**  
Video Conferencing Shelf ... pg# 217, 226



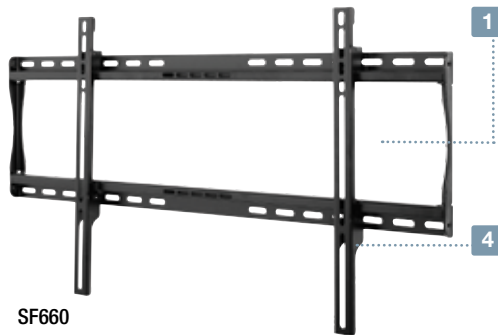
**IBA4-W:**  
Easy Mount Recessed  
Low Voltage Cable Plate ..... pg# 227



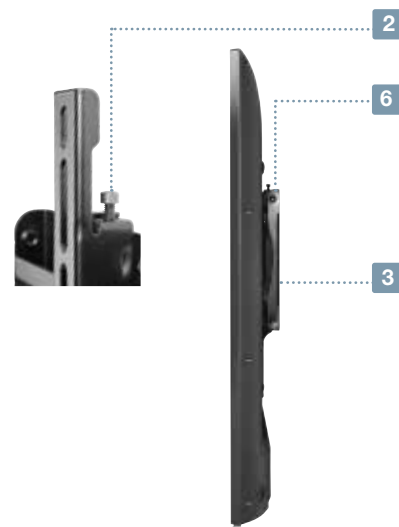
**ESHV models:**  
AV Wall Shelves ..... pg# 212

SMARTMOUNT Universal Flat Wall Mount  
For 39" to 80" Displays

1. Open wall plate design allows for total wall access, increasing electrical and cable management options
2. Up to 0.25" (6mm) of vertical adjustment on each universal display adaptor bracket for post-installation leveling and height adjustment fine-tuning
3. Low-profile design holds display only 1.20" (30mm)
4. Easy-Glide™ design ensures display is securely attached to wall plate
5. Horizontal display adjustment up to 8.00" (203mm) for centering display on wall
6. Universal display adaptors easily hook onto wall plate for fast installation
7. Landscape to portrait mounting options increases installation versatility. Please check your display dimensions against the wall plate when used in portrait mode\*.



SF660

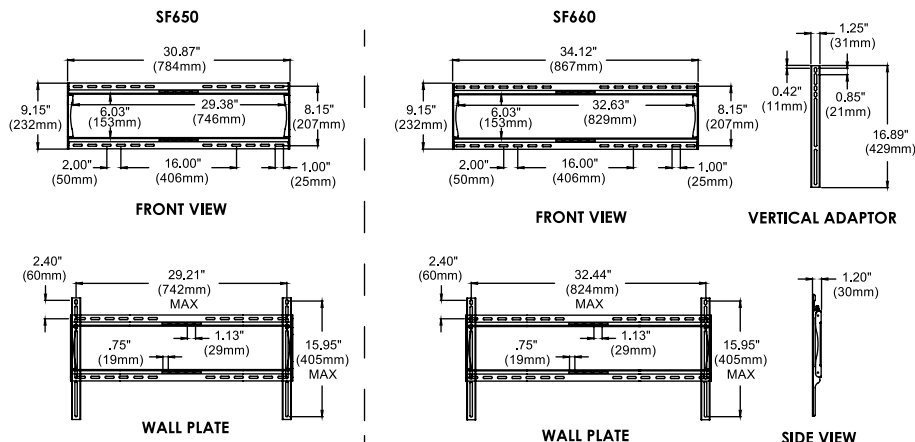


\* Requires display to be removed and reset on mount

Please visit [peerless-av.com/en-us/patents](http://peerless-av.com/en-us/patents) for patent information.

TECHNICAL DRAWINGS

For expanded product information and technical data visit [peerless-av.com](http://peerless-av.com)



To verify mount compatibility with any display or projector model use MountFinder™ at [peerless-av.com](http://peerless-av.com).



CALL: 630-375-5100  
800-865-2112



FAX: 630-820-8537  
800-359-6500



E-MAIL: [info@peerless-av.com](mailto:info@peerless-av.com)

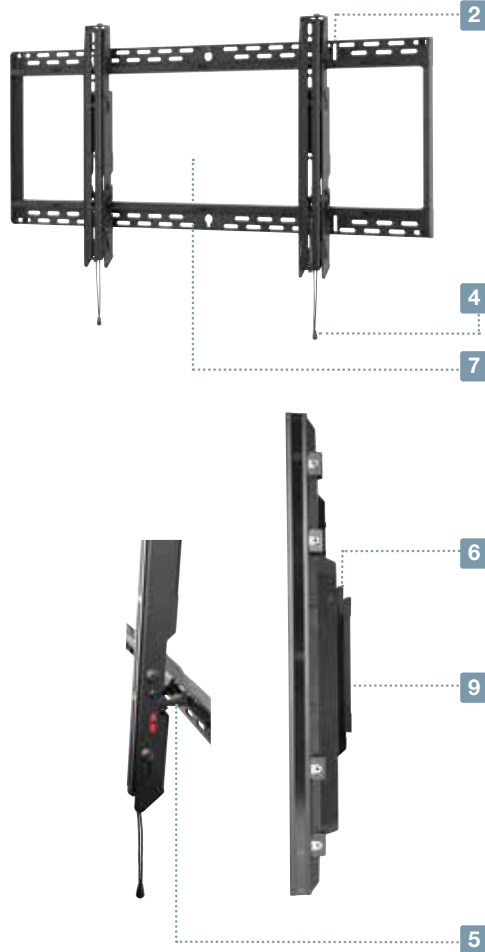


ON-LINE: [peerless-av.com](http://peerless-av.com)

# SMARTMOUNT. Universal Flat Wall Mount

For 46" to 90" Displays

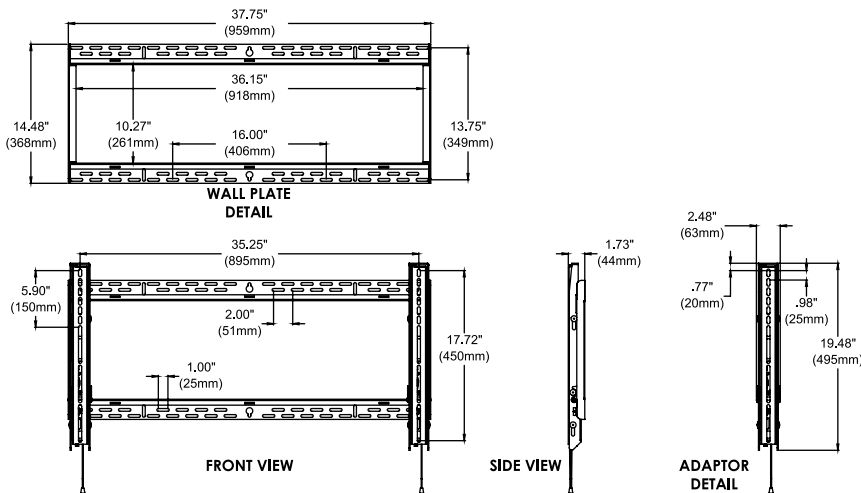
1. Easy hang wall plate allows a bolt to be pre-installed to ease wall plate installation
2. Lateral display adjustment up to 11.25" (286mm)
3. Adaptor rail latching feature securely locks the display in place with an audible click
4. Draw strings can be used to easily remove the display or can be removed for a theft resistant installation
5. A built-in kick stand holds the display safely away from the wall for easy access
6. 1" of post-installation vertical adjustment provides flexibility in the installation
7. Large open wall plate provides extra stability and room for junction boxes
8. Includes fastener pack with all necessary mounting and display attachment hardware (including M10)
9. Low-profile design holds display only 1.73" (44mm) from the wall



Please visit [peerless-av.com/en-us/patents](http://peerless-av.com/en-us/patents) for patent information.

For expanded product information and technical data visit [peerless-av.com](http://peerless-av.com)

## TECHNICAL DRAWINGS



To verify mount compatibility with any display or projector model use MountFinder™ at [peerless-av.com](http://peerless-av.com).



CALL: 630-375-5100  
800-865-2112



FAX: 630-820-8537  
800-359-6500



E-MAIL: [info@peerless-av.com](mailto:info@peerless-av.com)



ON-LINE: [peerless-av.com](http://peerless-av.com)

## DISPLAY MOUNTS



## MODELS

### Universal Models:

Includes theft resistant hardware for attaching display to mount

**SF670** Semi-gloss black

Includes standard hardware (hex or Phillips) for attaching display to mount

**SF670P** Semi-gloss black

## DISPLAY ADAPTOR



Mounting Pattern (W x H)

Universal Models: 895 x 450mm  
(35.25" x 17.72")



Distance from Wall

1.73" (44mm)



Max Load

250lb (113kg)

Product Dimensions (W x H x D)

37.75" x 19.48" x 1.73"  
(959 x 495 x 44mm)

Mounting Surfaces

Wood stud, concrete, cinder/  
breeze block and metal stud  
(Metal stud accessory required)

Ship Weight

16.21lb (7.35kg)



Color Packaging

## CERTIFICATIONS



## ACCESSORIES



### ACC615:

6-pack Metal Stud  
Fastener Kit ..... pg# 234



### ACC309:

Video Conference Shelf ..... pg# 216



### IBA4-W:

Easy Mount Recessed  
Low Voltage Cable Plate ..... pg# 227



### ESHV models:

AV Wall Shelves ..... pg# 212



MODELS

Universal Models:

Includes theft resistant hardware for attaching display to mount

**SF680** Semi-gloss black

Includes standard hardware (hex or Phillips) for attaching display to mount

**SF680P** Semi-gloss black

DISPLAY ADAPTOR

Mounting Pattern (W x H)

Universal Models: 1100 x 650mm  
(43.29" x 25.59")

SPECIFICATIONS

Distance from Wall  
1.73" (44mm)

Max Load  
350lb (158kg)

Product Dimensions (W x H x D)  
45.75" x 27.48" x 1.73"  
(1162 x 698 x 44mm)

Mounting Surfaces  
Wood stud, concrete, cinder/  
breeze block and metal stud  
(Metal stud accessory required)

Ship Weight  
20.30lb (9.21kg)



Color Packaging

CERTIFICATIONS



ACCESSORIES



**ACC615:**  
6-pack Metal Stud  
Fastener Kit ..... pg# 234



**ACC309:**  
Video Conference Shelf ..... pg# 216



**IBA4-W:**  
Easy Mount Recessed  
Low Voltage Cable Plate ..... pg# 227

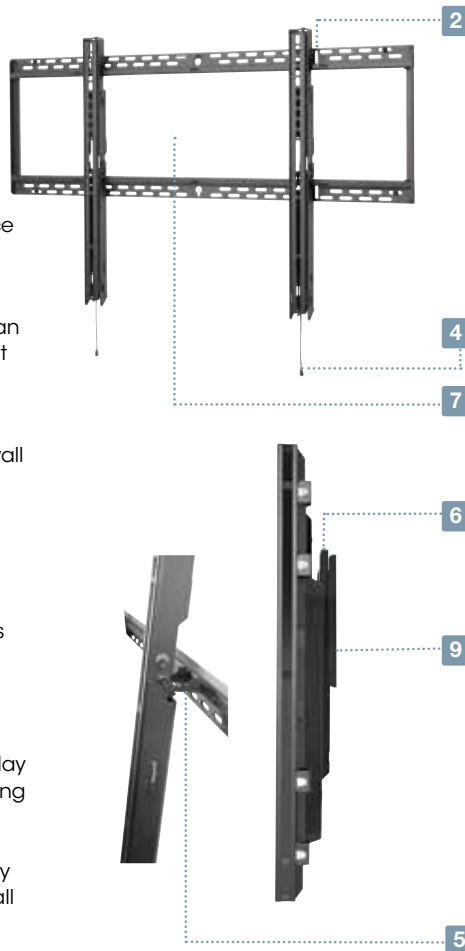


**ESHV models:**  
AV Wall Shelves ..... pg# 212

SMARTMOUNT Universal Flat Wall Mount

For 60" to 98" Displays

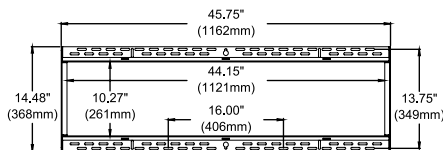
1. Easy hang wall plate allows a bolt to be pre-installed to ease wall plate installation
2. Lateral display adjustment up to 19.25" (489mm)
3. Adaptor rail latching feature securely locks the display in place with an audible click
4. Draw strings can be used to easily remove the display or can be removed for a theft resistant installation
5. A built-in kick stand holds the display safely away from the wall for easy access
6. 1" of post-installation vertical adjustment provides flexibility in the installation
7. Large open wall plate provides extra stability and room for junction boxes
8. Includes fastener pack with all necessary mounting and display attachment hardware (including M10)
9. Low-profile design holds display only 1.73" (44mm) from the wall



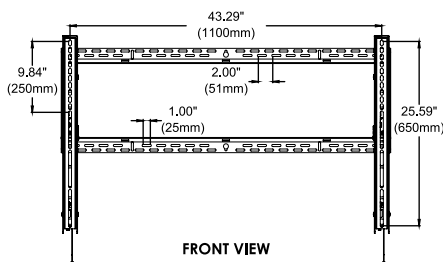
Please visit [peerless-av.com/en-us/patents](http://peerless-av.com/en-us/patents) for patent information.

TECHNICAL DRAWINGS

For expanded product information and technical data visit [peerless-av.com](http://peerless-av.com)

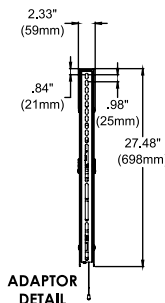


WALL PLATE  
DETAIL



FRONT VIEW

SIDE VIEW



ADAPTOR  
DETAIL

To verify mount compatibility with any display or projector model use MountFinder™ at [peerless-av.com](http://peerless-av.com).



CALL: 630-375-5100  
800-865-2112



FAX: 630-820-8537  
800-359-6500



E-MAIL: [info@peerless-av.com](mailto:info@peerless-av.com)

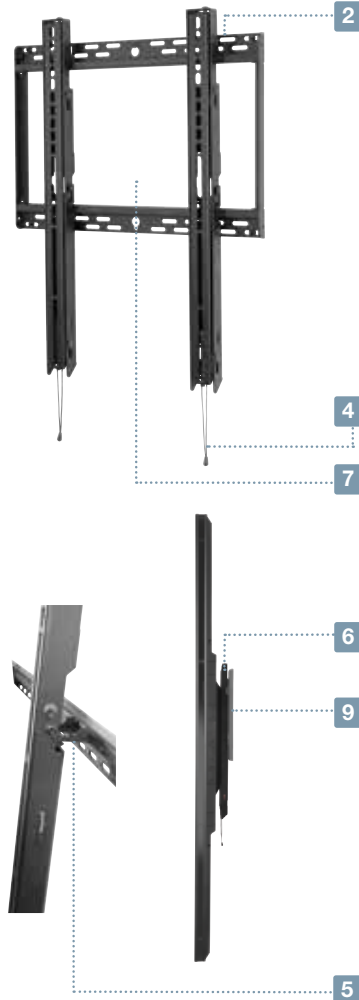


ON-LINE: [peerless-av.com](http://peerless-av.com)

# Universal Portrait Flat Wall Mount

For 46" to 90" Displays

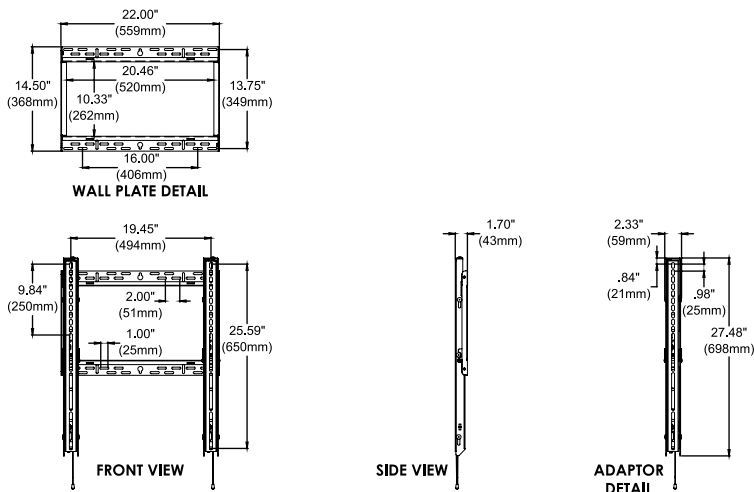
1. Easy hang wall plate allows a bolt to be pre-installed to ease wall plate installation
2. Lateral display adjustment up to 3.38" (85.9mm)
3. Adaptor rail latching feature securely locks the display in place with an audible click
4. Draw strings can be used to easily remove the display or can be removed for a theft resistant installation
5. A built-in kick stand holds the display safely away from the wall for easy access
6. 1" of post-installation vertical adjustment provides flexibility in the installation
7. Large open wall plate provides extra stability and room for junction boxes
8. Includes fastener pack with all necessary mounting and display attachment hardware (including M10)
9. Low-profile design holds display only 1.70" (43mm) from the wall



Please visit [peerless-av.com/en-us/patents](http://peerless-av.com/en-us/patents) for patent information.

For expanded product information and technical data visit [peerless-av.com](http://peerless-av.com)

## TECHNICAL DRAWINGS



To verify mount compatibility with any display or projector model use MountFinder™ at [peerless-av.com](http://peerless-av.com).



CALL: 630-375-5100  
800-865-2112



FAX: 630-820-8537  
800-359-6500



E-MAIL: [info@peerless-av.com](mailto:info@peerless-av.com)



ON-LINE: [peerless-av.com](http://peerless-av.com)

## DISPLAY MOUNTS



## MODELS

### Universal Models:

Includes theft resistant hardware for attaching display to mount  
**SFP680** Semi-gloss black

## DISPLAY ADAPTOR



**Mounting Pattern (W x H)**

Universal Models: 494 x 650mm  
(19.45" x 25.59")

## SPECIFICATIONS



**Distance from Wall**

1.70" (43mm)



**Max Load**

350lb (158kg)

**Product Dimensions (W x H x D)**

22.00" x 27.48" x 1.70"  
(559 x 698 x 43mm)

**Mounting Surfaces**

Wood stud, concrete, cinder/  
breeze block and metal stud  
(Metal stud accessory required)

**Ship Weight**

14.95lb (6.78kg)

## CERTIFICATIONS



## ACCESSORIES



**ACC615:**  
6-pack Metal Stud  
Fastener Kit ..... pg# 234



**ACC309:**  
Video Conference Shelf ..... pg# 216



**IBA4-W:**  
Easy Mount Recessed  
Low Voltage Cable Plate ..... pg# 227



**ESHV models:**  
AV Wall Shelves ..... pg# 212



MODELS

Universal Models:

Includes theft resistant hardware for attaching display to mount

**ST630** Semi-gloss black

Includes standard hardware (hex or Phillips) for attaching display to mount

**ST630P** Semi-gloss black

DISPLAY ADAPTOR



VESA® Pattern

Universal Models: 75 and 100mm

SPECIFICATIONS



Distance from Wall

1.58"-2.23" (40-57mm)



Tilt

+15/-5°



Max Load

80lb (36kg)

Product Dimensions

(W x H x D)

6.61" x 6.20" x 1.58"-2.23"  
(168 x 157 x 40-57mm)

Mounting Surfaces

Wood stud, concrete, cinder/  
breeze block and metal stud  
(Metal stud accessory required)

Ship Weight



2.8lb (1.3kg)

Color Packaging

CERTIFICATIONS



ACCESSORIES



**ACC215:**  
2-pack Metal Stud  
Fastener Kit ..... pg# 234



**ACC2X1:**  
VESA® 200 x 100mm  
Adaptor Plate ..... pg# 226



**IBA4-W:**  
Easy Mount Recessed  
Low Voltage Cable Plate..... pg# 227



**IBA5-W:**  
Recessed Low Voltage  
Media Plate with Duplex  
Surge Suppressor ..... pg# 227



**ESHV models:**  
AV Wall Shelves ..... pg# 212

# SMARTMOUNT. Tilt Wall Mount

For 10" to 29" Displays

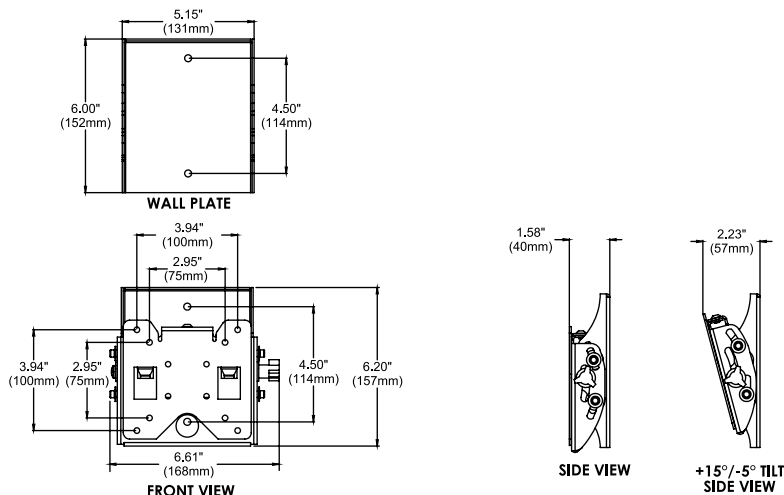
1. VESA® 75 and 100mm compliant
2. Up to +15/-5° of tilt without the use of tools
3. Display adaptor plate simply hooks onto wall plate for quick and easy installation



Please visit [peerless-av.com/en-us/patents](http://peerless-av.com/en-us/patents) for patent information.

TECHNICAL DRAWINGS

For expanded product information and technical data visit [peerless-av.com](http://peerless-av.com)



To verify mount compatibility with any display or projector model use MountFinder™ at [peerless-av.com](http://peerless-av.com).



CALL: 630-375-5100  
800-865-2112



FAX: 630-820-8537  
800-359-6500



E-MAIL: [info@peerless-av.com](mailto:info@peerless-av.com)



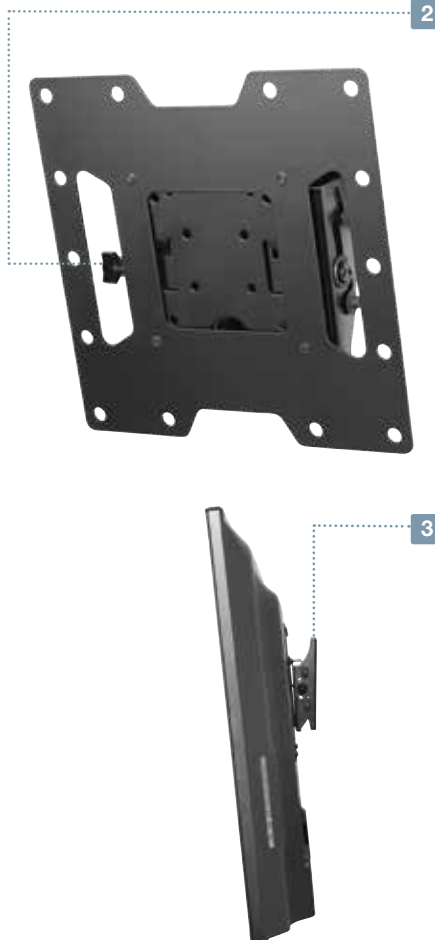
ON-LINE: [peerless-av.com](http://peerless-av.com)



# SMARTMOUNT. Tilt Wall Mount

For 22" to 40" Displays

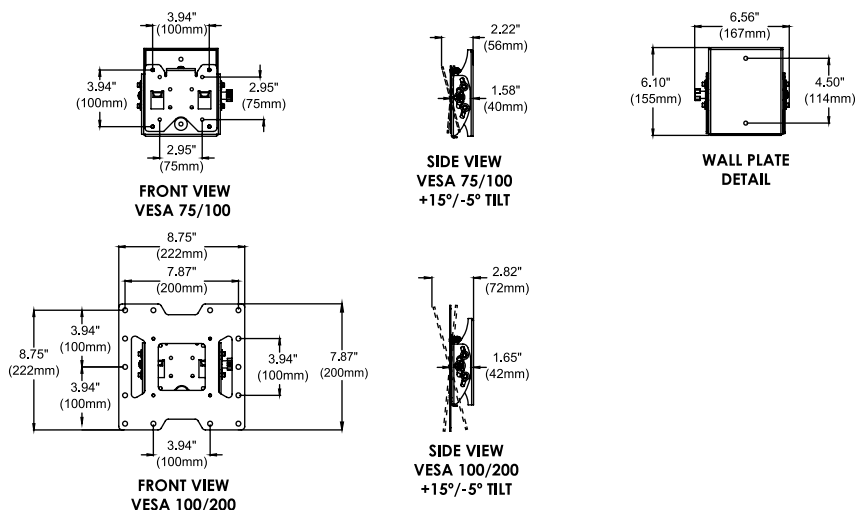
1. VESA® 75, 100, 200 x 100 and 200 x 200mm compliant
2. Up to +15°/-5° of tilt without the use of tools
3. Display adaptor plate simply hooks onto wall plate for quick and easy installation
4. Compatible with flat panels that use M8 screws



Please visit [peerless-av.com/en-us/patents](http://peerless-av.com/en-us/patents) for patent information.

For expanded product information and technical data visit [peerless-av.com](http://peerless-av.com)

## TECHNICAL DRAWINGS



To verify mount compatibility with any display or projector model use MountFinder™ at [peerless-av.com](http://peerless-av.com).



CALL: 630-375-5100  
800-865-2112



FAX: 630-820-8537  
800-359-6500



E-MAIL:  
[info@peerless-av.com](mailto:info@peerless-av.com)



ON-LINE:  
[peerless-av.com](http://peerless-av.com)

## DISPLAY MOUNTS



## MODELS

### Universal Models:

Includes theft resistant hardware for attaching display to mount  
**ST632** Semi-gloss black

Includes standard hardware (hex or Phillips) for attaching display to mount  
**ST632P** Semi-gloss black

## DISPLAY ADAPTOR



### VESA® Pattern

Universal Models: 75, 100, 200 x 100  
and 200 x 200mm

## SPECIFICATIONS



### Distance from Wall

1.65" -2.82" (42 -72mm)



### Tilt

+15°/-5°



### Max Load

115lb (52kg)

### Product Dimensions (W x H x D)

8.75" x 8.75" x 1.65" -2.82"  
(222 x 222 x 42 -72mm)

### Mounting Surfaces

Wood stud, concrete, cinder/  
breeze block and metal stud  
(Metal stud accessory required)

### Ship Weight

4.7lb (2.2kg)



Color Packaging

## CERTIFICATIONS



## ACCESSORIES



**ACC215:**  
2-pack Metal Stud  
Fastener Kit ..... pg# 234



**ACC4X4:**  
VESA® 400 x 400mm  
Adaptor Plate ..... pg# 226



**IBA4-W:**  
Easy Mount Recessed  
Low Voltage Cable Plate ..... pg# 227



**IBA5-W:**  
Recessed Low Voltage  
Media Plate with Duplex  
Surge Suppressor ..... pg# 227



**ESHV models:**  
AV Wall Shelves ..... pg# 212



MODELS

Universal Models:

Includes theft resistant hardware for attaching display to mount

**ST640** Semi-gloss black

Includes standard hardware (hex or Phillips) for attaching display to mount

**ST640P** Semi-gloss black

DISPLAY ADAPTOR

Mounting Pattern (W x H)

Universal Models: 458 x 405mm  
(18.02" x 15.95")

Many 42" flat panel displays have mounting hole patterns larger than dimensions above. Use MountFinder™ to verify mount compatibility.

VESA® Pattern

Universal Models: Up to 400 x 400mm

SPECIFICATIONS

Distance from Wall  
2.62"-5.40" (67-137mm)

Tilt  
+15/-5°

Max Load  
150lb (68kg)

Product Dimensions (W x H x D)  
22.14" x 16.89" x 2.62"-5.40"  
(562 x 429 x 67-137mm)

Mounting Surfaces

Wood stud, concrete, cinder/breeze block and metal stud  
(Metal stud accessory required)

Ship Weight  
7.82lb (3.55kg)



Color Packaging

CERTIFICATIONS



ACCESSORIES

**ACC415:**  
4-pack Metal Stud  
Fastener Kit ..... pg# 234

**ACC309:**  
Video Conference Shelf ..... pg# 216

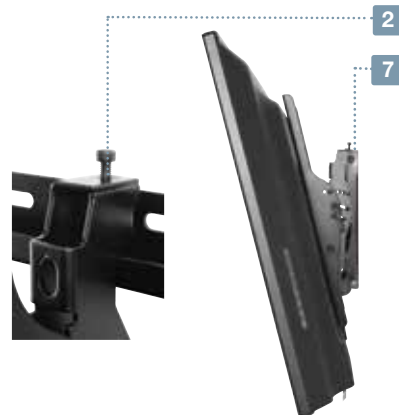
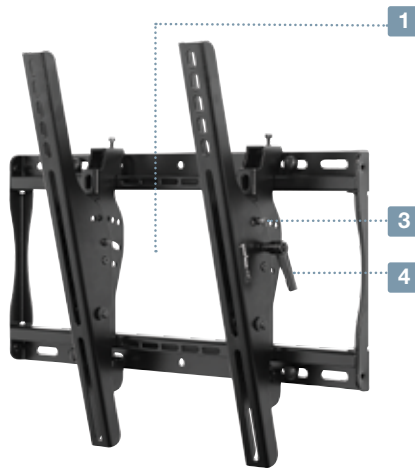
**ACC-WMVCs:**  
Video Conferencing Shelf ... pg# 217, 226

**IBA4-W:**  
Easy Mount Recessed  
Low Voltage Cable Plate ..... pg# 227

**ESHV models:**  
AV Wall Shelves ..... pg# 212

SMARTMOUNT. Universal Tilt Wall Mount  
For 32" to 50" Displays

1. Open wall plate design allows for total wall access, increasing electrical and cable management options
2. Up to 0.25" (6mm) of vertical adjustment on each universal display adaptor bracket for post-installation leveling and height adjustment fine-tuning
3. Included IncreLok™ feature offers fixed tilt lock in 5° increments when used
4. Easy-Grip™ ratcheting handle locks tilt angle into place
5. Universal tilt adaptors allow for +15/-5° tilt adjustment in one easy motion
6. Horizontal display adjustment up to 6.00" (152mm) for centering display on wall
7. Universal display adaptors easily hook onto wall plate for fast installation
8. Landscape to portrait mounting options increases installation versatility. Please check your display dimensions against the wall plate when used in portrait mode\*.

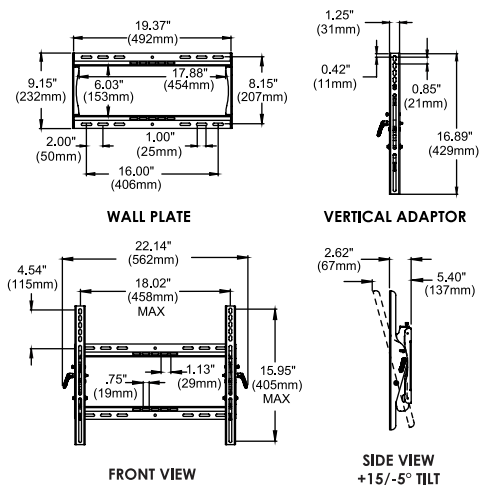


\* Requires display to be removed and reset on mount

Please visit [peerless-av.com/en-us/patents](http://peerless-av.com/en-us/patents) for patent information.

TECHNICAL DRAWINGS

For expanded product information and technical data visit [peerless-av.com](http://peerless-av.com)

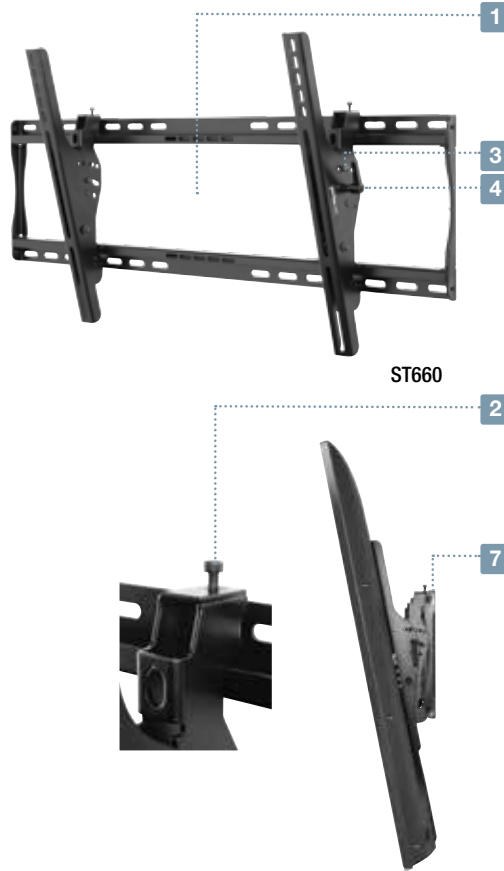


To verify mount compatibility with any display or projector model use MountFinder™ at [peerless-av.com](http://peerless-av.com).

# SMARTMOUNT. Universal Tilt Wall Mount

## For 39" to 80" Displays

1. Open wall plate design allows for total wall access, increasing electrical and cable management options
2. Up to 0.25" (6mm) of vertical adjustment on each universal display adaptor bracket for post-installation leveling and height adjustment fine-tuning
3. Universal tilt adaptors allow for +15/-5° tilt adjustment in one easy motion
4. Included IncreLok™ feature offers fixed tilt lock in 5° increments when used
5. Easy-Grip™ ratcheting handle locks tilt angle into place
6. Horizontal display adjustment up to 8.00" (203mm) for centering display on wall
7. Universal display adaptors easily hook onto wall plate for fast installation
8. Landscape to portrait mounting options increases installation versatility. Please check your display dimensions against the wall plate when used in portrait mode\*.

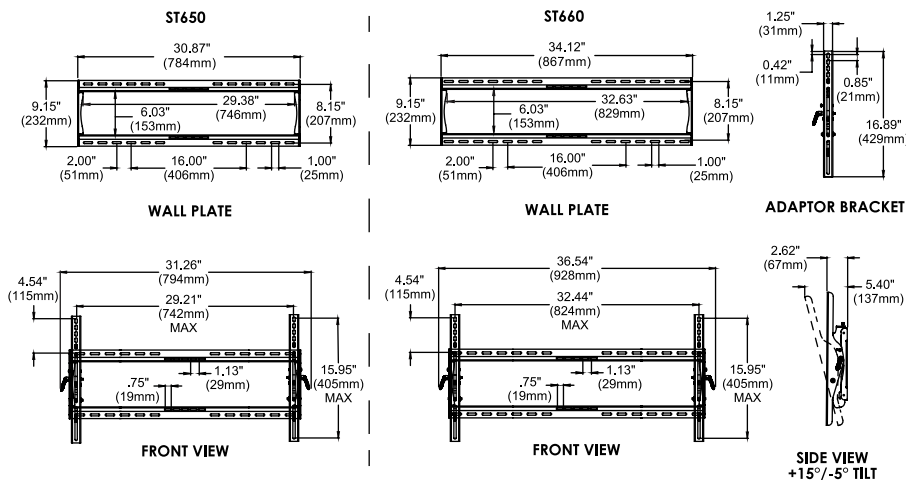


\* Requires display to be removed and reset on mount

Please visit [peerless-av.com/en-us/patents](http://peerless-av.com/en-us/patents) for patent information.

For expanded product information and technical data visit [peerless-av.com](http://peerless-av.com)

### TECHNICAL DRAWINGS



To verify mount compatibility with any display or projector model use MountFinder™ at [peerless-av.com](http://peerless-av.com).

CALL: 630-375-5100 800-865-2112 | FAX: 630-820-8537 800-359-6500 | E-MAIL: [info@peerless-av.com](mailto:info@peerless-av.com) | ON-LINE: [peerless-av.com](http://peerless-av.com)

### DISPLAY MOUNTS



### MODELS

#### Universal Models:

Includes theft resistant hardware for attaching display to mount  
**ST650** 39" to 75" Displays Semi-gloss black  
**ST660** 39" to 80" Displays Semi-gloss black

Includes standard hardware (hex or Phillips) for attaching display to mount

**ST650P** 39" to 75" Displays Semi-gloss black  
**ST660P** 39" to 80" Displays Semi-gloss black

### DISPLAY ADAPTOR

Mounting Pattern	(W x H)
------------------	---------

Universal Models:  
**ST650(P):** 742 x 405mm (29.21" x 15.95")  
**ST660(P):** 824 x 405mm (32.44" x 15.95")



#### VESA® Pattern

Universal Models:  
**ST650(P):** Up to 600 x 400mm  
**ST660(P):** Up to 800 x 400mm

### SPECIFICATIONS

Distance from Wall
--------------------

2.62"-5.40" (67-137mm)



#### Tilt

+15/-5°



#### Max Load

**ST650(P):** 175lb (79kg)  
**ST660(P):** 200lb (91kg)

#### Product Dimensions (W x H x D)

**ST650(P):** 31.26" x 16.89" x 2.62"-5.40"  
 (794 x 429 x 67-137mm)  
**ST660(P):** 36.54" x 16.89" x 2.62"-5.40"  
 (928 x 429 x 67-137mm)

#### Mounting Surfaces

Wood stud, concrete, cinder/breeze block and metal stud  
 (Metal stud accessory required)

#### Ship Weight



Color Packaging

**ST650(P):** 10.35lb (4.70kg)  
**ST660(P):** 11.00lb (4.99kg)

### CERTIFICATIONS



### ACCESSORIES



**ACC415:**  
 4-pack Metal Stud  
 Fastener Kit ..... pg# 234



**ACC309:**  
 Video Conference Shelf ..... pg# 216



**ACC-WMVCs:**  
 Video Conferencing Shelf ... pg# 217, 226



**IBA4-W:**  
 Easy Mount Recessed  
 Low Voltage Cable Plate ..... pg# 227



**ESHV models:**  
 AV Wall Shelves ..... pg# 212



MODELS

Universal Models:

Includes theft resistant hardware for attaching display to mount

**ST670** Semi-gloss black

Includes standard hardware (hex or Phillips) for attaching display to mount

**ST670P** Semi-gloss black

DISPLAY ADAPTOR

Mounting Pattern (W x H)

Universal Models: 895 x 450mm  
(35.25" x 17.72")

SPECIFICATIONS

Distance from Wall  
3.00"-6.63" (76-168mm)

Tilt  
+15/-5°

Max Load  
250lb (113kg)

Product Dimensions (W x H x D)  
39.40" x 19.48" x 3.00"-6.63"  
(1001 x 495 x 76-168mm)

Mounting Surfaces  
Wood stud, concrete, cinder/  
breeze block and metal stud  
(Metal stud accessory required)

Ship Weight  
19.13lb (8.68kg)



CERTIFICATIONS



ACCESSORIES



**ACC615:**  
6-pack Metal Stud  
Fastener Kit ..... pg# 234



**ACC309:**  
Video Conference Shelf ..... pg# 216



**IBA4-W:**  
Easy Mount Recessed  
Low Voltage Cable Plate ..... pg# 227

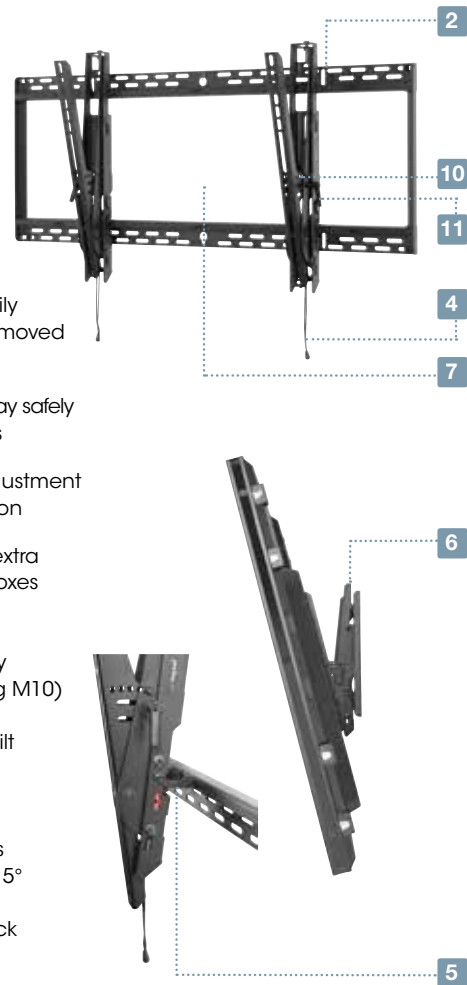


**ESHV models:**  
AV Wall Shelves ..... pg# 212

SMARTMOUNT. Universal Tilt Wall Mount

For 46" to 90" Displays

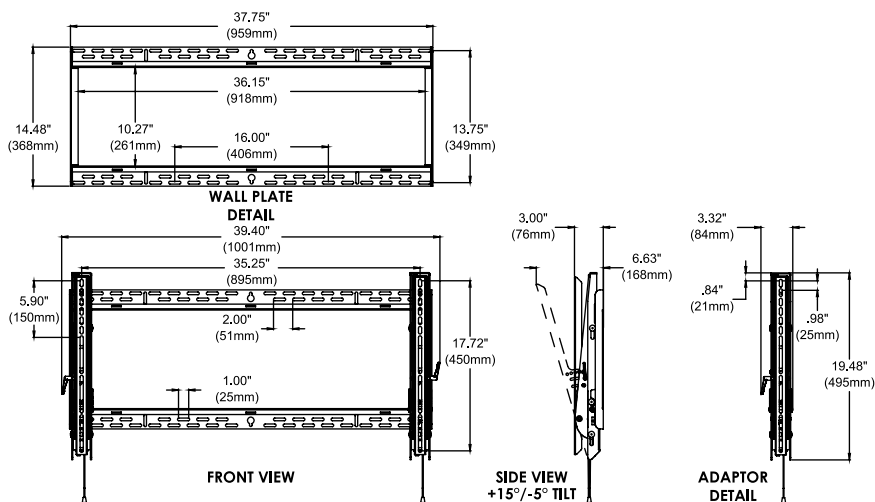
1. Easy hang wall plate allows a bolt to be pre-installed to ease wall plate installation
2. Lateral display adjustment up to 11.25" (286mm)
3. Adaptor rail latching feature securely locks the display in place with an audible click
4. Draw strings can be used to easily remove the display or can be removed for a theft resistant installation
5. A built-in kick stand holds the display safely away from the wall for easy access
6. 1" of post-installation vertical adjustment provides flexibility in the installation
7. Large open wall plate provides extra stability and room for junction boxes
8. Includes fastener pack with all necessary mounting and display attachment hardware (including M10)
9. Adjustable up to 15° of forward tilt and -5° of backward tilt for the optimal viewing angle
10. Optional IncreLok™ feature offers fixed tilt angles of -5°, 0°, 5°, 10°, 15°
11. Easy-grip™ ratcheting handle lock the display into place



Please visit [peerless-av.com/en-us/patents](http://peerless-av.com/en-us/patents) for patent information.

TECHNICAL DRAWINGS

For expanded product information and technical data visit [peerless-av.com](http://peerless-av.com)



To verify mount compatibility with any display or projector model use MountFinder™ at [peerless-av.com](http://peerless-av.com).



CALL: 630-375-5100  
800-865-2112



FAX: 630-820-8537  
800-359-6500



E-MAIL: [info@peerless-av.com](mailto:info@peerless-av.com)

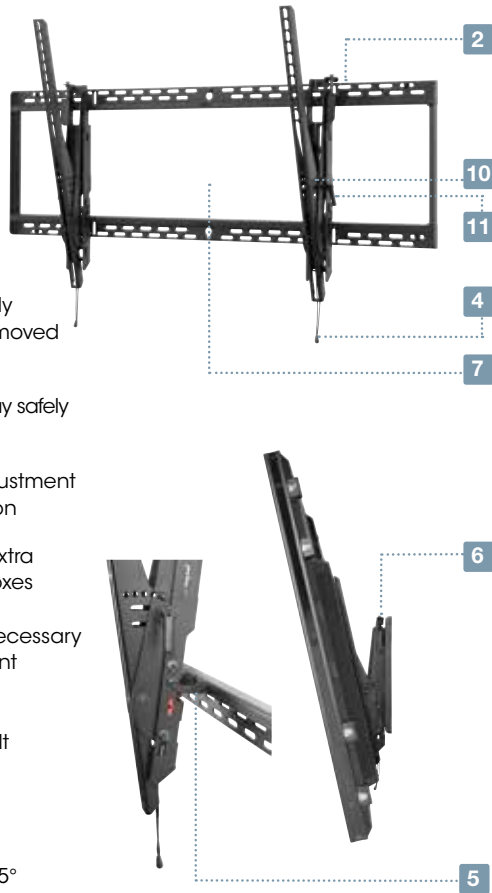


ON-LINE: [peerless-av.com](http://peerless-av.com)

# SMARTMOUNT. Universal Tilt Wall Mount

For 60" to 98" Displays

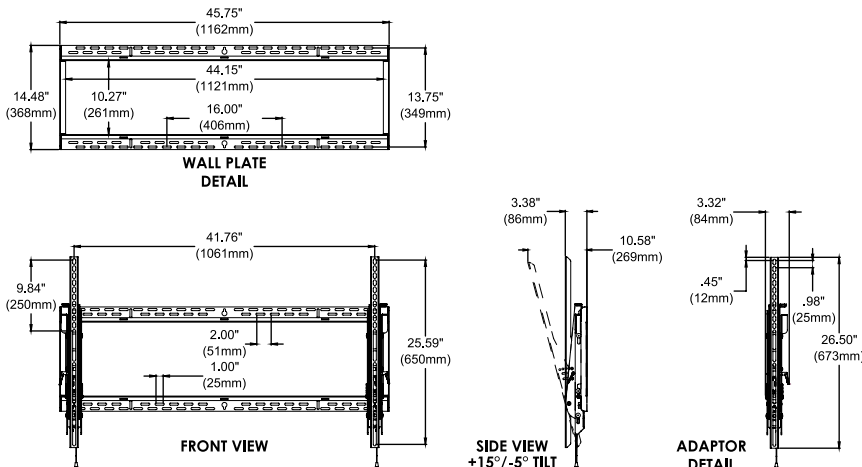
1. Easy hang wall plate allows a bolt to be pre-installed to ease wall plate installation
2. Lateral display adjustment up to 19.25" (489mm)
3. Adaptor rail latching feature securely locks the display in place with an audible click
4. Draw strings can be used to easily remove the display or can be removed for a theft resistant installation
5. A built-in kick stand holds the display safely away from the wall for easy access
6. 1" of post-installation vertical adjustment provides flexibility in the installation
7. Large open wall plate provides extra stability and room for junction boxes
8. Includes fastener pack with all necessary mounting and display attachment hardware (including M10)
9. Adjustable up to 15° of forward tilt and -5° of backward tilt for the optimal viewing angle
10. Optional IncreLok™ feature offers fixed tilt angles of -5°, 0°, 5°, 10°, 15°
11. Easy-grip™ ratcheting handle lock the display into place



Please visit [peerless-av.com/en-us/patents](http://peerless-av.com/en-us/patents) for patent information.

For expanded product information and technical data visit [peerless-av.com](http://peerless-av.com)

## TECHNICAL DRAWINGS



## DISPLAY MOUNTS



## MODELS

### Universal Models:

Includes theft resistant hardware for attaching display to mount

**ST680** Semi-gloss black

Includes standard hardware (hex or Phillips) for attaching display to mount

**ST680P** Semi-gloss black

## DISPLAY ADAPTOR

Mounting Pattern (W x H)	Universal Models:
1061 x 650mm (41.76" x 25.59")	

## SPECIFICATIONS

Distance from Wall	3.38"-10.58" (86-269mm)
Tilt	+15/-5°
Max Load	350lb (158kg)
Product Dimensions (W x H x D)	45.75" x 26.50" x 3.38"-10.58" (1162 x 673 x 86-269mm)
Mounting Surfaces	Wood stud, concrete, cinder/breeze block and metal stud (Metal stud accessory required)

### Ship Weight



Color Packaging

22.13lb (10.04kg)

## CERTIFICATIONS



## ACCESSORIES



**ACC615:**  
6-pack Metal Stud Fastener Kit ..... pg# 234



**ACC309:**  
Video Conference Shelf ..... pg# 216



**IBA4-W:**  
Easy Mount Recessed Low Voltage Cable Plate ..... pg# 227



**ESHV models:**  
AV Wall Shelves ..... pg# 212

To verify mount compatibility with any display or projector model use MountFinder™ at [peerless-av.com](http://peerless-av.com).



CALL: 630-375-5100  
800-865-2112



FAX: 630-820-8537  
800-359-6500



E-MAIL: [info@peerless-av.com](mailto:info@peerless-av.com)



ON-LINE: [peerless-av.com](http://peerless-av.com)



MODELS

Universal Models:

Includes theft resistant hardware for attaching display to mount  
**STP680** Semi-gloss black

DISPLAY ADAPTOR

Mounting Pattern (W x H)

Universal Models: 455 x 650mm  
 (17.91" x 25.59")

SPECIFICATIONS

Distance from Wall  
 3.38"-10.58" (86-269mm)

Max Load  
 350lb (158kg)

Product Dimensions (W x H x D)  
 22.00" x 26.50" x 3.38"-10.58"  
 (559 x 673 x 86-269mm)

Mounting Surfaces  
 Wood stud, concrete, cinder/  
 breeze block and metal stud  
 (Metal stud accessory required)

Ship Weight  
 13.78lb (6.25kg)

CERTIFICATIONS



ACCESSORIES

**ACC615:**  
 6-pack Metal Stud  
 Fastener Kit ..... pg# 234

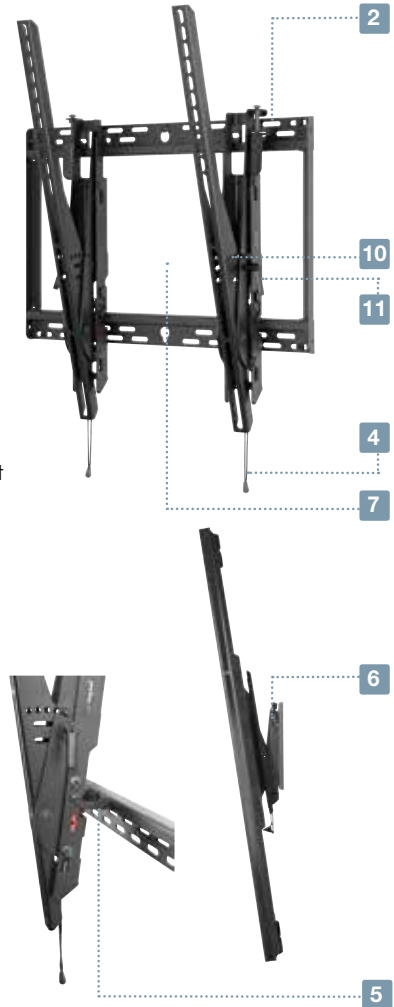
**ACC309:**  
 Video Conference Shelf ..... pg# 216

**IBA4-W:**  
 Easy Mount Recessed  
 Low Voltage Cable Plate ..... pg# 227

**ESHV models:**  
 AV Wall Shelves ..... pg# 212

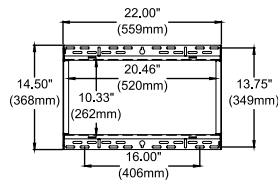
SMARTMOUNT. Universal Portrait  
 Tilt Wall Mount  
 For 46" to 90" Displays

1. Easy hang wall plate allows a bolt to be pre-installed to ease wall plate installation
2. Lateral display adjustment up to 1.63" (41mm)
3. Adaptor rail latching feature securely locks the display in place with an audible click
4. Draw strings can be used to easily remove the display or can be removed for a theft resistant installation
5. A built-in kick stand holds the display safely away from the wall for easy access
6. 1" of post-installation vertical adjustment provides flexibility in the installation
7. Large open wall plate provides extra stability and room for junction boxes
8. Includes fastener pack with all necessary mounting and display attachment hardware (including M10)
9. Adjustable up to 15° of forward tilt and -5° of backward tilt for the optimal viewing angle
10. Optional IncreLok™ feature offers fixed tilt angles of -5°, 0°, 5°, 10°, 15°
11. Easy-grip™ ratcheting handle lock the display into place

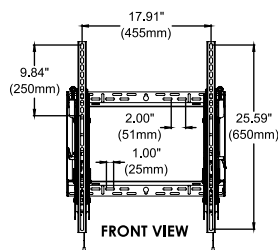


TECHNICAL DRAWINGS

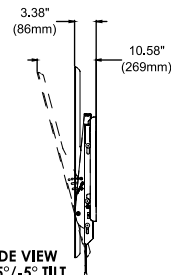
For expanded product information and technical data visit [peerless-av.com](http://peerless-av.com)



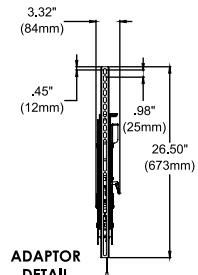
WALL PLATE DETAIL



FRONT VIEW



SIDE VIEW +15°/-5° TILT



ADAPTOR DETAIL

To verify mount compatibility with any display or projector model use MountFinder™ at [peerless-av.com](http://peerless-av.com).



CALL: 630-375-5100  
 800-865-2112



FAX: 630-820-8537  
 800-359-6500



E-MAIL: [info@peerless-av.com](mailto:info@peerless-av.com)



ON-LINE: [peerless-av.com](http://peerless-av.com)

# Display-Specific Flat Wall Mount

For up to 71" Displays

1. Fits any display-specific PLP or LC adaptor plate
2. Measures 1.18" (30mm) from wall, plus thickness of adaptor plate
3. Horizontal display adjustment up to 8.00" (203mm) for centering display on wall
4. Easy-Glide™ design ensures display is securely attached to wall plate
5. Choose from 16" (406mm) only or 16"-24" (406-610mm) stud center wall plate
6. Model SF16D ships with 19.25" (489mm) wide wall plate, perfect for portrait style installations
7. Wall plate knockouts provide wall access, improving cable management options



SF24D

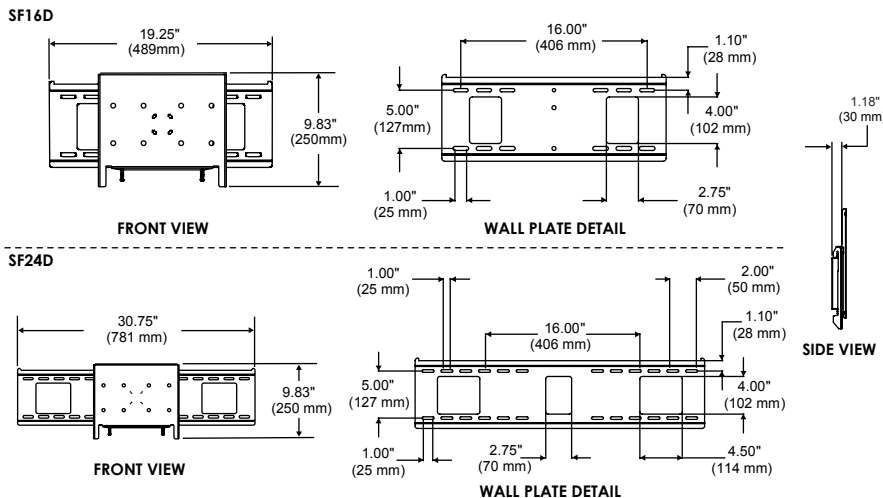


SF16D

Please visit [peerless-av.com/en-us/patents](http://peerless-av.com/en-us/patents) for patent information.

For expanded product information and technical data visit [peerless-av.com](http://peerless-av.com)

## TECHNICAL DRAWINGS



To verify mount compatibility with any display or projector model use MountFinder™ at [peerless-av.com](http://peerless-av.com).



CALL: 630-375-5100  
800-865-2112



FAX: 630-820-8537  
800-359-6500



E-MAIL: [info@peerless-av.com](mailto:info@peerless-av.com)



ON-LINE: [peerless-av.com](http://peerless-av.com)



## MODELS

### Dedicated Models:

Includes theft resistant hardware for attaching display to mount  
Display adaptor purchased separately\*

<b>SF16D</b>	Black	for up to 16" studs
<b>SF24D</b>	Black	for up to 24" studs

\*Dedicated adaptor plates come in flat black and include security fasteners

## DISPLAY ADAPTOR

**Dedicated Models:** Requires display-specific PLP or LC adaptor to be purchased separately

## SPECIFICATIONS

	<b>Distance from Wall</b>	1.18" (30mm)
	<b>Max Load</b>	200lb (90kg)
<b>Product Dimensions (W x H x D)</b>		
SF16D:	19.25" x 9.83" x 1.18"	(489 x 250 x 30mm)
SF24D:	30.75" x 9.83" x 1.18"	(781 x 250 x 30mm)
<b>Mounting Surfaces</b>		Wood stud, concrete, cinder/breeze block and metal stud (Metal stud accessory required)
<b>Ship Weight</b>		
SF16D:	7.4lb (3.4kg)	
SF24D:	9.3lb (4.2kg)	

## CERTIFICATIONS



## ACCESSORIES



**ACC415:**  
4-pack Metal Stud Fastener Kit ..... pg# 234



**ESHV models:**  
AV Wall Shelves ..... pg# 212



MODELS

Dedicated Models:

Includes theft resistant hardware for attaching display to mount  
Display adaptor purchased separately\*

<b>ST16D</b>	Black	for up to 16" studs
<b>ST24D</b>	Black	for up to 24" studs

\* Dedicated adaptor plates come in flat black and include security fasteners

DISPLAY ADAPTOR

**Dedicated Models:** Requires display-specific PLP or LC adaptor to be purchased separately.

SPECIFICATIONS

	<b>Distance from Wall</b>	3.01" (76mm)
	<b>Tilt</b>	+15/-5°
	<b>Max Load</b>	200lb (90kg)
	<b>Product Dimensions (W x H x D)</b>	
	<b>ST16D:</b>	19.25" x 10.48" x 3.01"-5.55" (489 x 266 x 76-141mm)
	<b>ST24D:</b>	30.75" x 10.48" x 3.01"-5.55" (781 x 266 x 76-141mm)
	<b>Mounting Surfaces</b>	Wood stud, concrete, cinder/ breeze block and metal stud (Metal stud accessory required)
	<b>Ship Weight</b>	
	<b>ST16D:</b>	10.1lb (4.6kg)
	<b>ST24D:</b>	12.2lb (5.5kg)

CERTIFICATIONS



ACCESSORIES

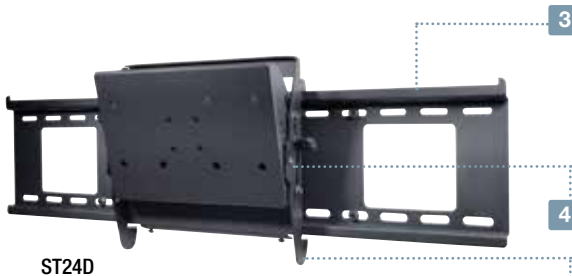


**ACC615:**  
6-pack Metal Stud  
Fastener Kit ..... pg# 234

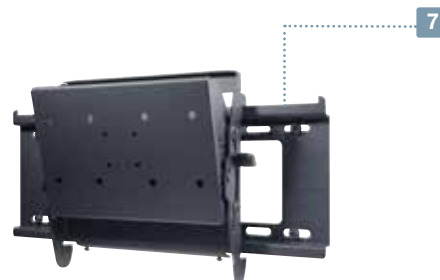


**ESHV models:**  
AV Wall Shelves ..... pg# 212

1. Fits any display-specific PLP or LC adaptor plate
2. Tilt allows adjustment of +15/-5° without the use of tools
3. Horizontal display adjustment up to 8.00" (203mm) for centering display on wall
4. Included IncreLok™ feature offers fixed tilt lock in 5° increments when used
5. Easy-Glide™ design ensures display is securely attached to wall plate
6. Choose from 16" (406mm) only or 16"-24" (406-610mm) stud center wall plate
7. Model ST16D ships with 19.25" (489mm) wide wall plate, perfect for portrait style installations
8. Wall plate knockouts provide wall access, improving cable management options



ST24D

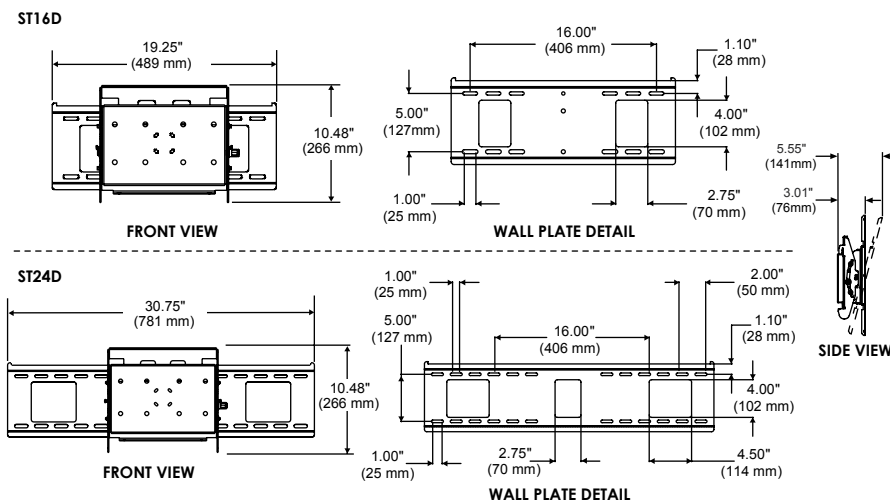


ST16D

Please visit [peerless-av.com/en-us/patents](http://peerless-av.com/en-us/patents) for patent information.

TECHNICAL DRAWINGS

For expanded product information and technical data visit [peerless-av.com](http://peerless-av.com)



To verify mount compatibility with any display or projector model use MountFinder™ at [peerless-av.com](http://peerless-av.com).



CALL: 630-375-5100  
800-865-2112



FAX: 630-820-8537  
800-359-6500



E-MAIL: [info@peerless-av.com](mailto:info@peerless-av.com)



ON-LINE: [peerless-av.com](http://peerless-av.com)



# SMARTMOUNT. Pivoting Wall Mount

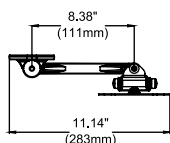
## For 10" to 29" Displays

1. Extends display 9.88" (251mm) from the wall
2. Retracts to hold display 2.77" (70mm) from the wall
3.  $\pm 90^\circ$  of pivot allows for perfect display positioning
4. Quick and easy, Hook-and-Hang™ one-person installation
5. Internal cable management provides clean, professional installation finish
6. Easy leveling  $\pm 5^\circ$  after display installation
7. One-Touch™ tilt offers  $\pm 35^\circ$  of viewing angle adjustment
8. Landscape or portrait mounting options increases display versatility
9. Includes all necessary wall mounting and display attachment hardware

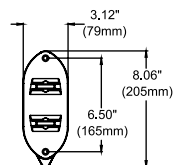


For expanded product information and technical data visit [peerless-av.com](http://peerless-av.com)

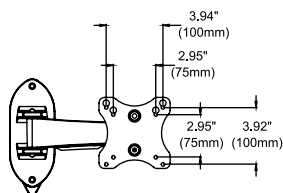
### TECHNICAL DRAWINGS



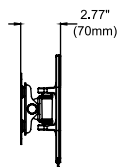
TOP VIEW



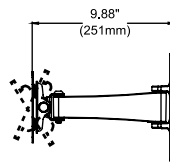
WALL PLATE DETAIL



FRONT VIEW



SIDE VIEW COLLAPSED



SIDE VIEW EXTENDED  
+/-35° TILT

To verify mount compatibility with any display or projector model use MountFinder™ at [peerless-av.com](http://peerless-av.com).



CALL: 630-375-5100  
800-865-2112



FAX: 630-820-8537  
800-359-6500



E-MAIL:  
[info@peerless-av.com](mailto:info@peerless-av.com)



ON-LINE:  
[peerless-av.com](http://peerless-av.com)

### DISPLAY MOUNTS



### MODELS

#### Universal Models:

Includes standard hardware (hex or Phillips) for attaching display to mount  
**SP730P** Semi-gloss black

### DISPLAY ADAPTOR



#### VESA® Pattern

Universal Models: 75 x 75, 100 x 100mm

### SPECIFICATIONS



#### Distance from Wall

2.77"-9.88" (70-251mm)



#### Tilt | Swivel | Roll

$\pm 35^\circ$  |  $\pm 90^\circ$  |  $\pm 5^\circ$



#### Max Load

25lb (11kg)

#### Product Dimensions (W x H x D)

11.14" x 8.06" x 2.77"-9.88"  
(283 x 205 x 70-251mm)

#### Mounting Surfaces

Wood stud, concrete, cinder/  
breeze block and metal stud  
(Metal stud accessory required)

#### Ship Weight

3.75lb (1.70kg)



Color Packaging

### CERTIFICATIONS



### ACCESSORIES



#### ACC918:

Security Fasteners ..... pg# 234



#### ACC2X1:

VESA® 200 x 100mm  
Adaptor Plate ..... pg# 226



#### WSP700/WSP701:

Metal Stud Wall Plates for  
16"/24" Center Metal Studs... pg# 233



#### IBA4-W:

Easy Mount Recessed  
Low Voltage Cable Plate ..... pg# 227



#### IBA5-W:

Recessed Low Voltage Media Plate  
with Duplex Surge Suppressor... pg# 227



#### ESHV models:

AV Wall Shelves ..... pg# 212



MODELS

Universal Models:

Includes standard hardware (hex or Phillips) for attaching display to mount

- SP740P** 22" to 40" Displays Semi-gloss black
- SP746PU** 32" to 50" Displays Semi-gloss black

DISPLAY ADAPTOR

Mounting Pattern (W x H)

Universal Models:

**SP746PU:** 400 x 400mm (15.75" x 15.75")



VESA® Pattern

Universal Models:

**SP740P:** 100 x 100, 200 x 100 and 200 x 200mm  
**SP746PU:** 200 x 100 to 400 x 400mm

SPECIFICATIONS

Distance from Wall

**SP740P:** 3.03"-12.41" (77-315mm)  
**SP746PU:** 3.46"-12.84" (88-326mm)

Tilt | Swivel | Roll

+15°/-5° | ±90° | ±5°

Max Load

80lb (36kg)

Product Dimensions (W x H x D)

**SP740P:** 15.35" x 10.15" x 3.03"-12.41" (390 x 258 x 77-315mm)  
**SP746PU:** 19.21" x 16.75" x 3.46"-12.84" (488 x 425 x 88-326mm)

Mounting Surfaces

Wood stud, concrete, cinder/breeze block and metal stud (Metal stud accessory required)

Ship Weight

**SP740P:** 6.2lb (2.8kg)  
**SP746PU:** 9.8lb (4.5kg)



Color Packaging

CERTIFICATIONS



ACCESSORIES

**ACC4X4:** VESA® 400 x 400mm Adaptor Plate ..... pg# 226

**WSP700/WSP701:** Metal Stud Wall Plates for 16"/24" Center Metal Studs ... pg# 233

**IBA4-W:** Easy Mount Recessed Low Voltage Cable Plate ..... pg# 227

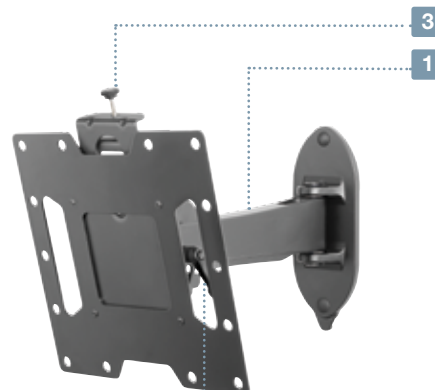
**IBA5-W:** Recessed Low Voltage Media Plate with Duplex Surge Suppressor... pg# 227

**ESHV models:** AV Wall Shelves ..... pg# 212

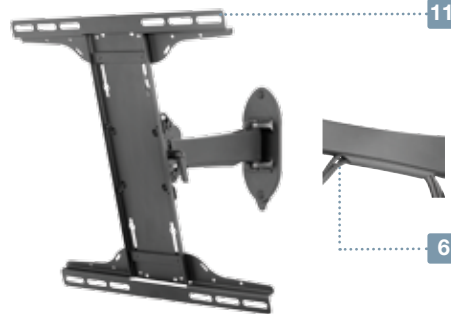
SMARTMOUNT. Pivoting Wall Mount

For 22" to 50" Displays

- Extends display 12.41" (315mm) [SP740P model] or 12.84" (326mm) [SP746PU model] from the wall
- Retracts to hold display just 3.03" (77mm) [SP740P model] or 3.46" (88mm) [SP746PU model] from the wall
- Up to ±0.5" (13mm) of vertical adjustment for post-installation leveling and height adjustment fine-tuning
- ±90° of pivot allows for perfect display positioning
- Quick and easy, Hook-and-Hang™ one-person installation
- Internal cable management provides clean, professional installation finish
- Easy leveling ±5° after display installation
- One-Touch™ tilt offers +15°/-5° of viewing angle adjustment
- Landscape or portrait mounting options increases display versatility
- Includes all necessary wall mounting and display attachment hardware
- SP746PU's I-Shaped Adaptor plate's innovative design helps avoid blocking connections on back of display



**SP740P**  
Holds 22"-40" displays

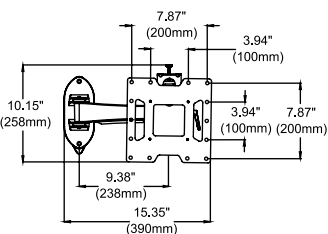


**SP746PU**  
Holds 32"-50" displays

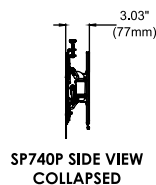
Please visit [peerless-av.com/en-us/patents](http://peerless-av.com/en-us/patents) for patent information.

TECHNICAL DRAWINGS

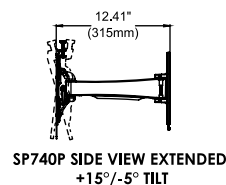
For expanded product information and technical data visit [peerless-av.com](http://peerless-av.com)



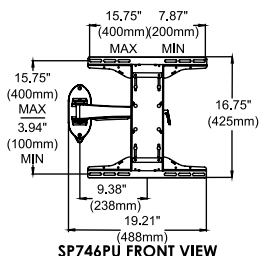
SP740P FRONT VIEW



SP740P SIDE VIEW COLLAPSED



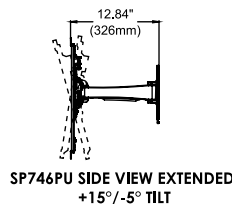
SP740P SIDE VIEW EXTENDED +15°/-5° TILT



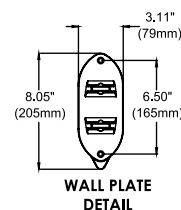
SP746PU FRONT VIEW



SP746PU SIDE VIEW COLLAPSED



SP746PU SIDE VIEW EXTENDED +15°/-5° TILT



WALL PLATE DETAIL

To verify mount compatibility with any display or projector model use MountFinder™ at [peerless-av.com](http://peerless-av.com).

CALL: 630-375-5100 800-865-2112

FAX: 630-820-8537 800-359-6500

E-MAIL: [info@peerless-av.com](mailto:info@peerless-av.com)

ON-LINE: [peerless-av.com](http://peerless-av.com)

# Pull-Out Pivot Wall Mount

For 32" to 55" Displays

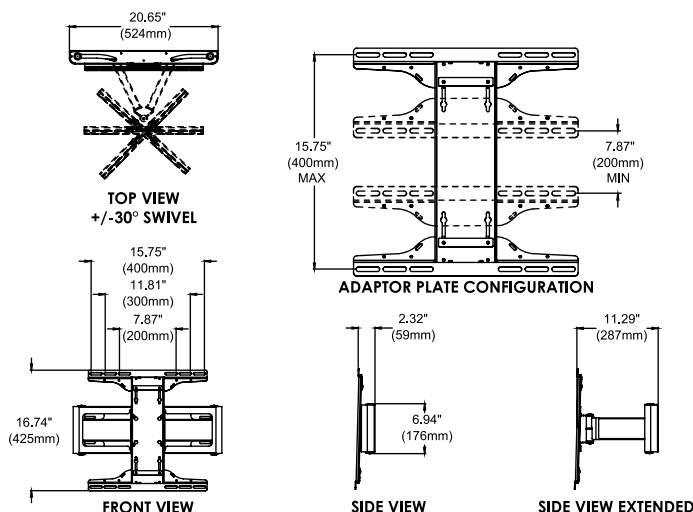
1. Contemporary/lightweight design perfectly matches today's LED's to fit into any room decor
2. Can be dual mounted to 16" studs or single stud
3. Built in pivot up to  $\pm 30^\circ$  provides adjustable viewing angles
4. Easy pull-out provides quick maintenance access
5. Supports VESA® patterns from 200 x 200 to 400 x 400mm
6. The I-Shaped Adaptor plate's innovative design helps avoid blocking connections on back of display
7. Display continues to stay centered on the mount when extended or retracted
8. Security screws prevent tampering and theft
9. Flush mountable in-furniture when used in conjunction with In-furniture bracket accessory, ACC-HPF650
10. Landscape or portrait mounting options increase display versatility



Please visit [peerless-av.com/en-us/patents](http://peerless-av.com/en-us/patents) for patent information.

For expanded product information and technical data visit [peerless-av.com](http://peerless-av.com)

## TECHNICAL DRAWINGS



To verify mount compatibility with any display or projector model use MountFinder™ at [peerless-av.com](http://peerless-av.com).



CALL: 630-375-5100  
800-865-2112



FAX: 630-820-8537  
800-359-6500



E-MAIL:  
[info@peerless-av.com](mailto:info@peerless-av.com)



ON-LINE:  
[peerless-av.com](http://peerless-av.com)

## MODELS

### Universal Models:

Includes theft resistant hardware for attaching display to mount  
**HPF650** Black

## DISPLAY ADAPTOR



Mounting Pattern (W x H)

Universal Models: 400 x 400mm  
(15.75" x 15.75")



VESA® Pattern

Universal Models: 200 x 200 to 400 x 400mm

## SPECIFICATIONS



Distance from Wall

2.32"-11.29" (59-287mm)



Max Load

60lb (27kg)

Product Dimensions (W x H x D)

20.65" x 16.74" x 2.32"-11.29"  
(525 x 425 x 59-287mm)

Mounting Surfaces

Wood stud, concrete  
and cinder/breeze block

Ship Weight

15.3lb (6.9kg)



Color Packaging

## CERTIFICATIONS



## ACCESSORIES



**ACC-HPF650:**  
In-furniture Bracket ..... pg# 226



**IBA3AC(-W):**  
Recessed Cable Management and  
Power Storage Accessory Box... pg# 227



MODELS

Dedicated Models:

Screen adaptor purchased separately for non-VESA® displays\* Includes theft resistant hardware for attaching display to mount  
**FPS-1000** Black

\* Dedicated adaptor plates come in flat black and include security fasteners

DISPLAY ADAPTOR



VESA® Pattern

Dedicated Models: 100 x 100 and 200 x 100mm  
 Non-VESA® compliant displays require display-specific adaptor to be purchased separately.

SPECIFICATIONS

**Distance from Wall**  
 2.16"-10.53" (55-267mm)

**Swivel | Roll**  
 ±45° | ±1°

**Max Load**  
 150lb (68kg)

**Product Dimensions (W x H x D)**  
 21.00" x 9.64" x 2.16"-10.53"  
 (533 x 245 x 55-267mm)

**Mounting Surfaces**  
 Wood studs, concrete and cinder/breeze block  
 (Metal stud accessory required)

**Ship Weight**  
 20lb (9.1kg)

CERTIFICATIONS



ACCESSORIES

**WSP816/WSP820/WSP824:**  
 Metal Stud Wall Plates ..... pg# 233

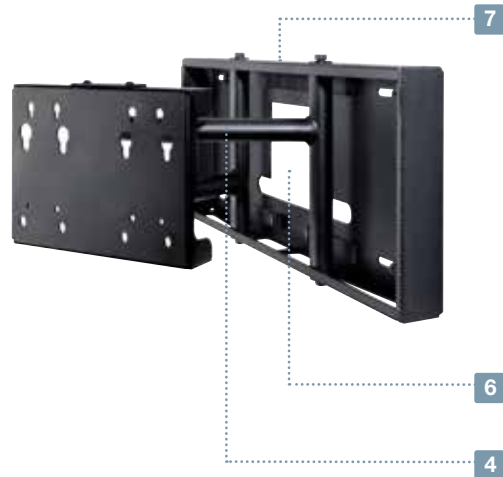
**PLP-UNM:**  
 Universal I-Shaped Adaptor for 22" to 50" Displays..... pg# 232

**PLP-UNL:**  
 Universal I-Shaped Adaptor for 32" to 90" Displays..... pg# 232

# Pull-Out Pivot Wall Mount

For 32" to 80" Displays

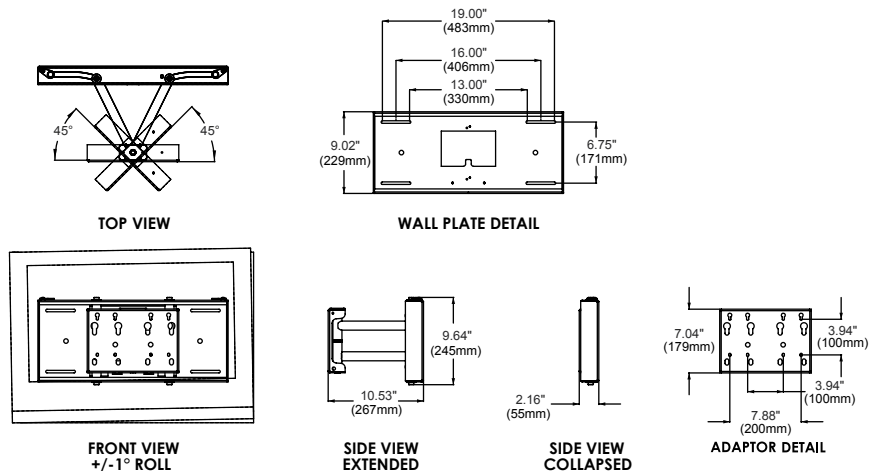
1. VESA® 100 x 100 and 200 x 100mm compliant
2. Non-VESA adaptor plate also available
3. Ideal for wall mount applications and attachment to false backslashes
4. Built-in pivot up to 90° (45° each direction) allows for adjustable viewing angles
5. Roll can be adjusted 1° clockwise or counterclockwise
6. Easy pull-out pivot provides quick maintenance access
7. Includes security lock out screw to eliminate pull out ability
8. Security screws prevent tampering and theft



Please visit [peerless-av.com/en-us/patents](http://peerless-av.com/en-us/patents) for patent information.

TECHNICAL DRAWINGS

For expanded product information and technical data visit [peerless-av.com](http://peerless-av.com)



To verify mount compatibility with any display or projector model use MountFinder™ at [peerless-av.com](http://peerless-av.com).



CALL: 630-375-5100  
 800-865-2112



FAX: 630-820-8537  
 800-359-6500



E-MAIL: [info@peerless-av.com](mailto:info@peerless-av.com)



ON-LINE: [peerless-av.com](http://peerless-av.com)

# Pull-Out Pivot Wall Mount with Tilt

For 32" to 55" Displays

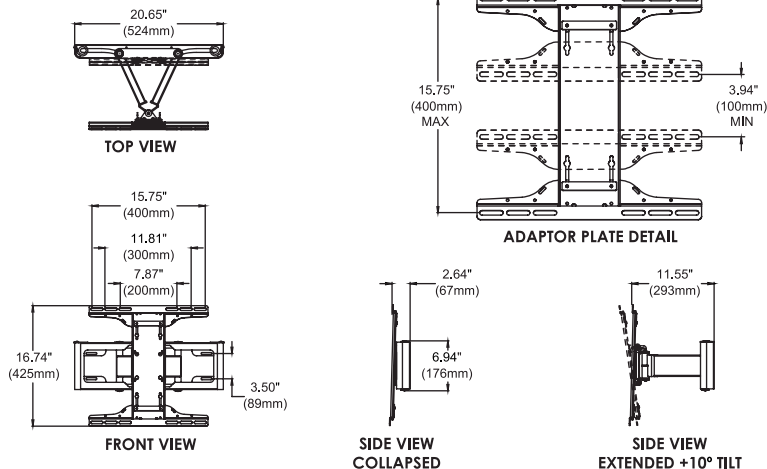
1. Lightweight design well suited for today's leds and fits into any room décor
2. Can be dual mounted to 16" studs or single stud
3. Built in pivot up to  $\pm 30^\circ$  provides adjustable viewing angles
4. Easy pull-out swivel provides quick maintenance access
5. The I-Shaped Adaptor plate's innovative design helps avoid blocking connections on back of display
6. Display continues to stay centered on the mount when extended or retracted
7. Security screws prevent tampering and theft
8. Flush mountable to in-furniture when used in conjunction with In-furniture bracket accessory, ACC-HPF650
9. IncreLok™ Tilt allows the display to be set at  $0^\circ$ ,  $3.3^\circ$ ,  $6.6^\circ$  or  $10^\circ$
10. Adjust the force required to pull the display from the closed position using the adjustable tensioned detent



Please visit [peerless-av.com/en-us/patents](http://peerless-av.com/en-us/patents) for patent information.

For expanded product information and technical data visit [peerless-av.com](http://peerless-av.com)

## TECHNICAL DRAWINGS



To verify mount compatibility with any display or projector model use MountFinder™ at [peerless-av.com](http://peerless-av.com).



CALL: 630-375-5100  
800-865-2112



FAX: 630-820-8537  
800-359-6500



E-MAIL: [info@peerless-av.com](mailto:info@peerless-av.com)



ON-LINE: [peerless-av.com](http://peerless-av.com)



## MODELS

### Universal Models:

Includes theft resistant hardware for attaching display to mount  
**SP840** Black

## DISPLAY ADAPTOR



Mounting Pattern (W x H)

Universal Models: 400 x 400mm  
(15.75" x 15.75")



VESA® Pattern

Universal Models: 200 x 100 to 400 x 400mm

## SPECIFICATIONS



Distance from Wall

2.64"-11.55" (67-293mm)



Tilt | Swivel | Roll

$0^\circ$ ,  $3.3^\circ$ ,  $6.6^\circ$  or  $10^\circ$  |  $\pm 30^\circ$  |  $\pm 1^\circ$

### Max Load

60lb (27kg)

### Product Dimensions (W x H x D)

20.65" x 16.74" x 2.64"-11.55"  
(524 x 425 x 67-293mm)

### Mounting Surfaces

Wood stud, concrete  
and cinder/breeze block

### Ship Weight

14.81lb (6.72kg)



Color Packaging

## CERTIFICATIONS



## ACCESSORIES



**ACC-HPF650:**  
In-furniture Bracket ..... pg# 226



**IBA3AC(-W):**  
Recessed Cable Management and  
Power Storage Accessory Box... pg# 227



MODELS

Dedicated Models:

Display adaptor purchased separately for non-VESA® displays\* Includes theft resistant hardware for attaching display to mount

- SP850** Black
- SP850-S** Silver
- SP850-V2X2** Black

Includes standard hardware (hex or Phillips) for attaching display to mount

- SP850P** Black
- SP850P-S** Silver

\*Dedicated adaptor plates come in flat black and include security fasteners

DISPLAY ADAPTOR



VESA® Pattern

Dedicated Models:

- SP850(P)(-S):** 100 and 200 x 100mm
- SP850-V2X2:** 200 x 200mm

Non-VESA® compliant displays require display-specific adaptor to be purchased separately.

SPECIFICATIONS



Distance from Wall

- SP850(P)(-S):** 2.31"-10.68" (59-271mm)
- SP850-V2X2:** 2.73"-11.18" (69-284mm)



Tilt | Swivel | Roll

0°, 5° or 10° | ±45° | ±1°



Max Load

150lb (68kg)

Product Dimensions (W x H x D)

- SP850(P)(-S):** 21.00" x 9.76" x 2.31"-10.68" (533 x 248 x 59-271mm)
- SP850-V2X2:** 21.00" x 9.76" x 2.73"-11.18" (533 x 248 x 69-284mm)

Mounting Surfaces

Wood stud, concrete and cinder/breeze block

Ship Weight

- SP850(P)(-S):** 22.7lb (10.24kg)
- SP850-V2X2:** 25lb (11.4kg)

CERTIFICATIONS



ACCESSORIES



**WSP816/WSP820/WSP824:** Metal Stud Wall Plates ..... pg# 233



**PLP-UNM:** Universal I-Shaped Adaptor for 22" to 50" Displays ..... pg# 232

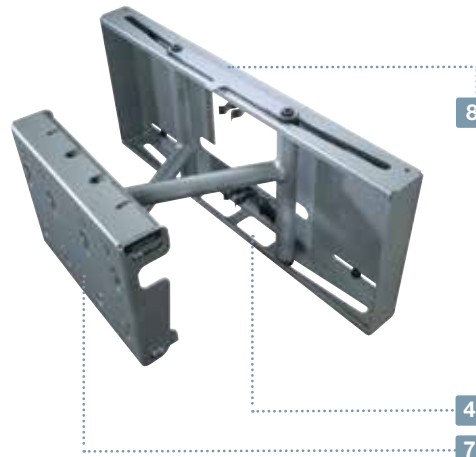


**PLP-UNL:** Universal I-Shaped Adaptor for 32" to 90" Displays ..... pg# 232

SMARTMOUNT. Pull-Out Pivot Wall Mount For 32" to 80" Displays

1. Arms extend up to 10.68" (271mm) from wall with SP850 models and 11.18" (284mm) with SP850-V2X2
2. Pull-out pivot with up to 90° rotation
3. Included IncreLoK™ feature offers 0°, 5° or 10° lockable tilt when used
4. Built-in cable management
5. ±1° of roll for post installation display leveling
6. Locking tab included for optional pivot restriction to one side
7. Include VESA® 100 and 200 x 100mm compliant adaptor plate with SP850 models and 200 x 200mm adaptor plate with SP850-V2X2
8. Lock Key™ installation tool secures arms for display installation

SP850-S

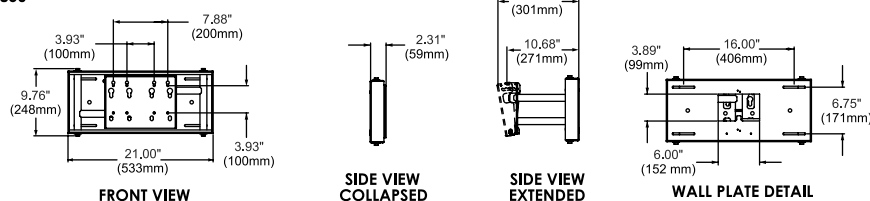


Please visit [peerless-av.com/en-us/patents](http://peerless-av.com/en-us/patents) for patent information.

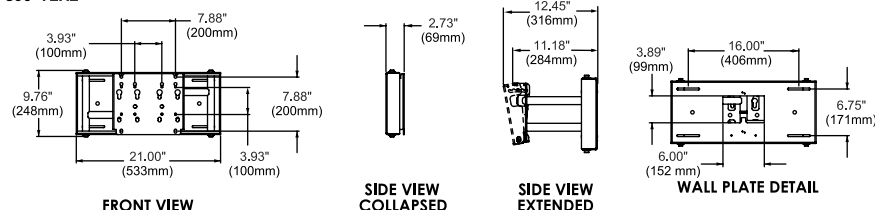
TECHNICAL DRAWINGS

For expanded product information and technical data visit [peerless-av.com](http://peerless-av.com)

SP850



SP850-V2X2



To verify mount compatibility with any display or projector model use MountFinder™ at [peerless-av.com](http://peerless-av.com).



CALL: 630-375-5100  
800-865-2112



FAX: 630-820-8537  
800-359-6500



E-MAIL: [info@peerless-av.com](mailto:info@peerless-av.com)

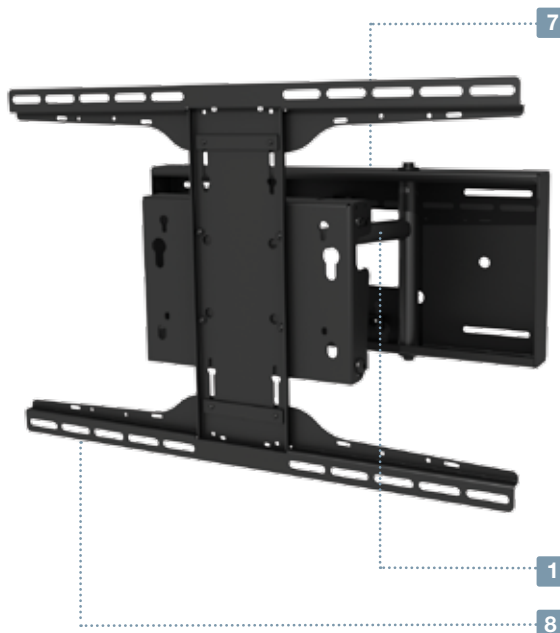


ON-LINE: [peerless-av.com](http://peerless-av.com)

# SMARTMOUNT. Pull-Out Pivot Wall Mount

## For 32" to 80" Displays

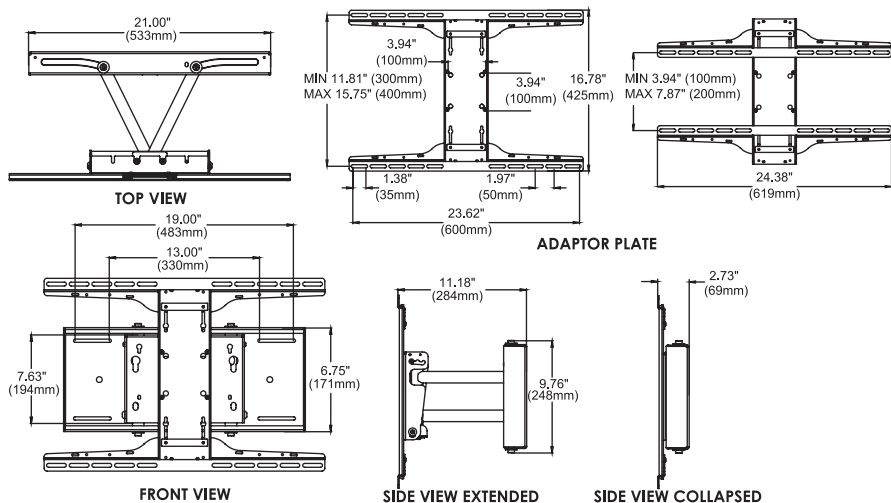
- Arms extend up to 11.18" (284mm) from wall
- Pull-out pivot with up to 90° rotation
- Included IncreLok™ feature offers 0°, 5° or 10° lockable tilt when used
- Built-in cable management
- ±1° of roll for post installation display leveling
- Locking tab included for optional pivot restriction to one side
- Lock Key™ installation tool secures arms for display installation
- The I-Shaped Adaptor plate's innovative design helps avoid blocking connections on back of display



Please visit [peerless-av.com/en-us/patents](http://peerless-av.com/en-us/patents) for patent information.

For expanded product information and technical data visit [peerless-av.com](http://peerless-av.com)

### TECHNICAL DRAWINGS



To verify mount compatibility with any display or projector model use MountFinder™ at [peerless-av.com](http://peerless-av.com).



CALL: 630-375-5100  
800-865-2112



FAX: 630-820-8537  
800-359-6500



E-MAIL:  
[info@peerless-av.com](mailto:info@peerless-av.com)



ON-LINE:  
[peerless-av.com](http://peerless-av.com)

### DISPLAY MOUNTS



### MODELS

#### Universal Models:

Includes theft resistant hardware for attaching display to mount

**SP850-UNL** Black

Includes standard hardware (hex or Phillips) for attaching display to mount

**SP850-UNLP** Black

### DISPLAY ADAPTOR



Mounting Pattern (W x H)

Universal Models: 600x 400mm  
(23.62" x 15.75")

### SPECIFICATIONS



Distance from Wall

2.73"-11.18" (69-284mm)



Tilt | Swivel | Roll

0°, 5° or 10° | ±45° | ±1°



Max Load

150lb (68kg)

Product Dimensions (W x H x D)

24.38" x 16.78" x 2.73"-11.18"  
(619 x 428 x 69-284mm)

Mounting Surfaces

Wood stud, concrete  
and cinder/breeze block

Ship Weight

33.9lb (15.4kg)

### CERTIFICATIONS





MODELS

Universal Models:

Includes standard hardware (hex or Phillips) for attaching display to mount

**SA730P** Semi-gloss black

DISPLAY ADAPTOR



VESA® Pattern

Universal Models:

75 x 75, 100 x 100mm

SPECIFICATIONS



Distance from Wall

2.77"-16.99" (70-432mm)



Tilt | Swivel | Roll

±35° | ±90° | ±5°



Max Load

25lb (11kg)

Product Dimensions (W x H x D)

10.01" x 8.06" x 2.77"-16.99"  
(254 x 205 x 70-432mm)

Mounting Surfaces

Wood stud, concrete, cinder/  
breeze block and metal stud  
(Metal stud accessory required)

Ship Weight



4.75lb (2.15kg)

Color Packaging

CERTIFICATIONS



ACCESSORIES



**ACC918:**  
Security Fasteners ..... pg# 234



**ACC2X1:**  
VESA® 200 x 100mm  
Adaptor Plate..... pg# 226



**WSP700/WSP701:**  
Metal Stud Wall Plates for  
1 6/24" Center Metal Studs ... pg# 233



**IBA4-W:**  
Easy Mount Recessed  
Low Voltage Cable Plate..... pg# 227



**IBA5-W:**  
Recessed Low Voltage Media Plate  
with Duplex Surge Suppressor... pg# 227



**ESHV models:**  
AV Wall Shelves ..... pg# 212

SMARTMOUNT. Articulating Wall Mount

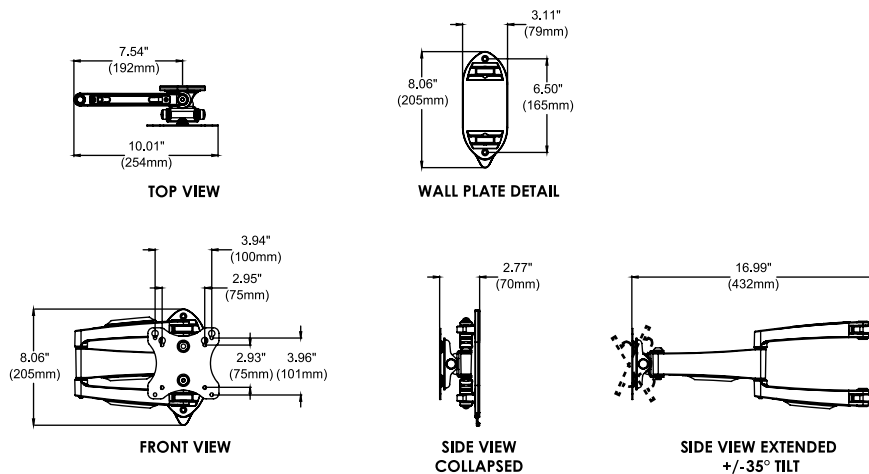
For 10" to 29" Displays

1. Extends display 16.99" (432mm) from the wall
2. Retracts to hold display 2.77" (70mm) from the wall
3. ±90° of pivot allows for perfect display positioning
4. Quick and easy, Hook-and-Hang™ one-person installation
5. Internal cable management provides clean, professional installation finish
6. Easy leveling ±5° after display installation
7. One-Touch™ tilt offers ±35° of viewing angle adjustment
8. Landscape or portrait mounting options increases display versatility
9. Includes all necessary wall mounting and display attachment hardware



TECHNICAL DRAWINGS

For expanded product information and technical data visit [peerless-av.com](http://peerless-av.com)



To verify mount compatibility with any display or projector model use MountFinder™ at [peerless-av.com](http://peerless-av.com).



CALL: 630-375-5100  
800-865-2112



FAX: 630-820-8537  
800-359-6500



E-MAIL: [info@peerless-av.com](mailto:info@peerless-av.com)



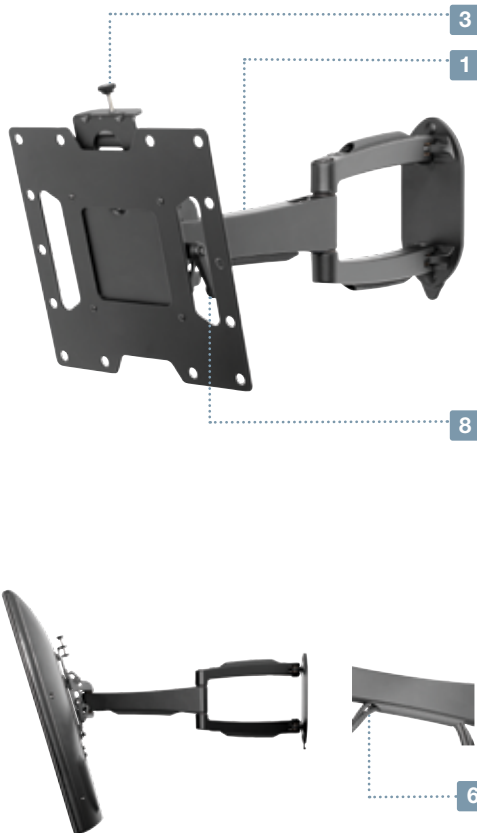
ON-LINE: [peerless-av.com](http://peerless-av.com)



# SMARTMOUNT. Articulating Wall Mount

For 22" to 40" Displays

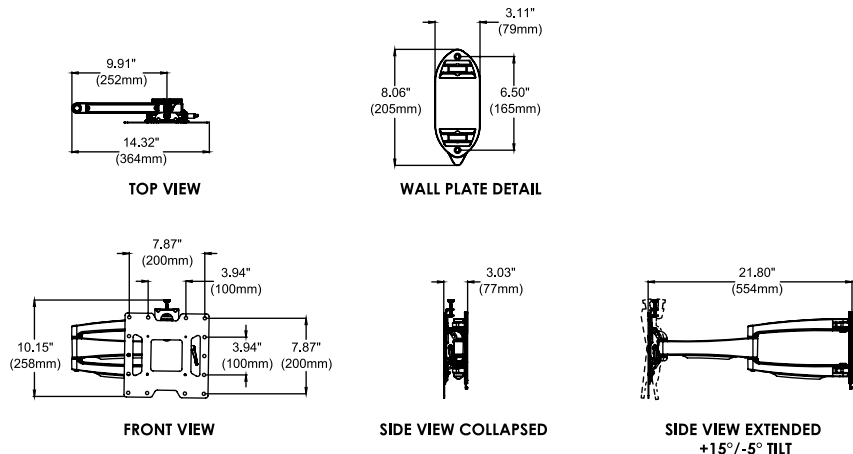
1. Extends display 21.80" (554mm) from the wall
2. Retracts to hold display just 3.03" (77mm) from the wall
3. Up to  $\pm 0.5"$  (13mm) of vertical adjustment for post-installation leveling and height adjustment fine-tuning
4.  $\pm 90^\circ$  of pivot allows for perfect display positioning
5. Quick and easy, Hook-and-Hang™ one-person installation
6. Internal cable management provides clean, professional installation finish
7. Easy leveling  $\pm 5^\circ$  after display installation
8. One-Touch™ tilt offers  $+15^\circ/-5^\circ$  of viewing angle adjustment
9. Landscape or portrait mounting options increases display versatility
10. Includes all necessary wall mounting and display attachment hardware



Please visit [peerless-av.com/en-us/patents](http://peerless-av.com/en-us/patents) for patent information.

For expanded product information and technical data visit [peerless-av.com](http://peerless-av.com)

## TECHNICAL DRAWINGS



To verify mount compatibility with any display or projector model use MountFinder™ at [peerless-av.com](http://peerless-av.com).



CALL: 630-375-5100  
800-865-2112



FAX: 630-820-8537  
800-359-6500



E-MAIL:  
[info@peerless-av.com](mailto:info@peerless-av.com)



ON-LINE:  
[peerless-av.com](http://peerless-av.com)

## DISPLAY MOUNTS



## MODELS

### Universal Models:

Includes standard hardware (hex or Phillips) for attaching display to mount  
**SA740P** Semi-gloss black

## DISPLAY ADAPTOR



### VESA® Pattern

Universal Models: 100 x 100, 200 x 100  
and 200 x 200mm

## SPECIFICATIONS



### Distance from Wall

3.03"-21.80" (77-554mm)



### Tilt | Swivel | Roll

$+15^\circ/-5^\circ$  |  $\pm 90^\circ$  |  $\pm 5^\circ$



### Max Load

80lb (36kg)

### Product Dimensions

(W x H x D)

14.32" x 10.15" x 3.03"-21.80"  
(364 x 258 x 77-554mm)

### Mounting Surfaces

Wood stud, concrete, cinder/  
breeze block and metal stud  
(Metal stud accessory required)

### Ship Weight

9.4lb (4.3kg)

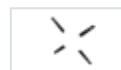


Color Packaging

## CERTIFICATIONS



## ACCESSORIES



**ACC4X4:**  
VESA® 400 x 400mm  
Adaptor Plate..... pg# 226



**WSP700/WSP701:**  
Metal Stud Wall Plates for  
16"/24" Center Metal Studs ... pg# 233



**IBA4-W:**  
Easy Mount Recessed  
Low Voltage Cable Plate..... pg# 227



**IBA5-W:**  
Recessed Low Voltage Media Plate  
with Duplex Surge Suppressor... pg# 227



**ESHV models:**  
AV Wall Shelves..... pg# 212



MODELS

Universal Models:

Includes standard hardware (hex or Phillips) for attaching display to mount  
**SA746PU** Semi-gloss black

DISPLAY ADAPTOR

Mounting Pattern (W x H)

Universal Models: 400 x 400mm  
 (15.75" x 15.75")



VESA® Pattern

Universal Models: 200 x 100 to 400 x 400mm

SPECIFICATIONS

Distance from Wall

3.46"-22.22" (88-564mm)

Tilt | Swivel | Roll

+15°/-5° | ±90° | ±5°

Max Load

80lb (36kg)

Product Dimensions (W x H x D)

18.11" x 16.75" x 3.46"-22.22"  
 (460 x 425 x 88-564mm)

Mounting Surfaces

Wood stud, concrete, cinder/breeze block and metal stud  
 (Metal stud accessory required)

Ship Weight

13.8lb (6.3kg)



Color Packaging

CERTIFICATIONS



ACCESSORIES



**WSP700/WSP701:**  
 Metal Stud Wall Plates for 16"/24" Center Metal Studs... pg# 233



**IBA4-W:**  
 Easy Mount Recessed Low Voltage Cable Plate..... pg# 227



**IBA5-W:**  
 Recessed Low Voltage Media Plate with Duplex Surge Suppressor... pg# 227

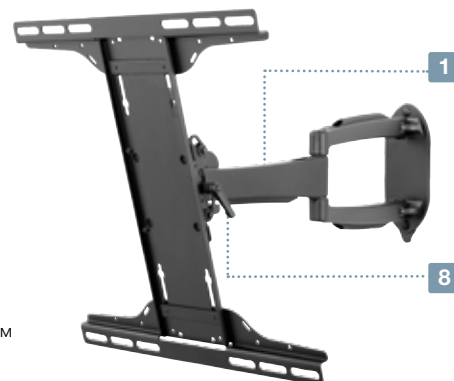


**ESHV models:**  
 AV Wall Shelves ..... pg# 212

SMARTMOUNT. Articulating Wall Mount

For 32" to 50" Displays

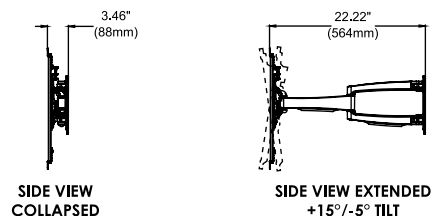
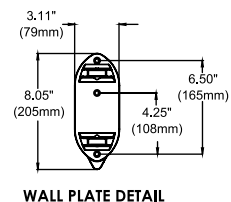
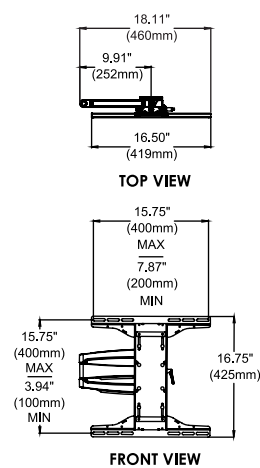
1. Extends display 22.22" (564mm) from the wall
2. Retracts to hold display just 3.46" (88mm) from the wall
3. Up to ±0.5" (13mm) of vertical adjustment for post-installation leveling and height adjustment fine-tuning
4. ±90° of pivot allows for perfect display positioning
5. Quick and easy, Hook-and-Hang™ one-person installation
6. Internal cable management provides clean, professional installation finish
7. Easy leveling ±5° after display installation
8. One-Touch™ tilt offers +15°/-5° of viewing angle adjustment
9. Landscape or portrait mounting options increases display versatility
10. Includes all necessary wall mounting and display attachment hardware
11. The I-Shaped Adaptor plate's innovative design helps avoid blocking connections on back of display



Please visit [peerless-av.com/en-us/patents](http://peerless-av.com/en-us/patents) for patent information.

TECHNICAL DRAWINGS

For expanded product information and technical data visit [peerless-av.com](http://peerless-av.com)



To verify mount compatibility with any display or projector model use MountFinder™ at [peerless-av.com](http://peerless-av.com).



CALL: 630-375-5100  
 800-865-2112



FAX: 630-820-8537  
 800-359-6500



E-MAIL: [info@peerless-av.com](mailto:info@peerless-av.com)

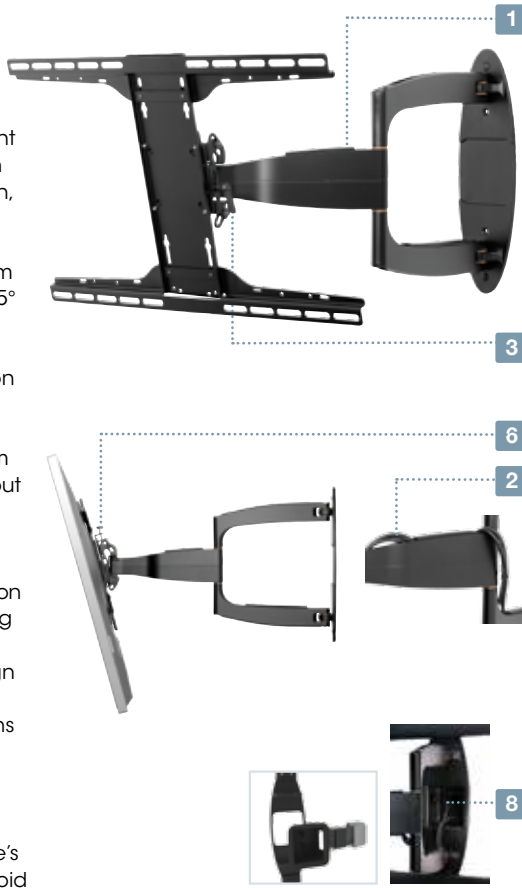


ON-LINE: [peerless-av.com](http://peerless-av.com)

# SMARTMOUNT. Articulating Wall Arm

## For 37" to 55" Displays

1. Low-profile when retracted at 2.97" (75mm) and can extend up to 26.47" (672mm) from the wall
2. Internal cable management provides ample area to run cables to complete a clean, professional installation
3. One-Touch™ tilt mechanism allows adjustment of +15/-5° without the use of tools
4. ±5° of roll for post-installation leveling
5. Display can be rotated from landscape to portrait without removing the display
6. ±0.5" (13mm) of vertical adjustment for post-installation height adjustment fine-tuning
7. Single stud wall plate design increases electrical and cable management options
8. Removable cover for wall plate knockout included
9. The I-Shaped Adaptor plate's innovative design helps avoid blocking connections on back of display

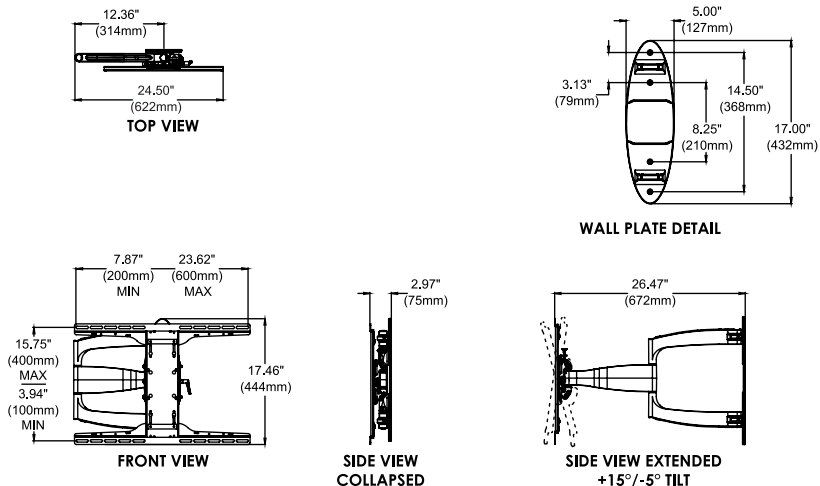


Optional Accessory ACCXT400

Please visit [peerless-av.com/en-us/patents](http://peerless-av.com/en-us/patents) for patent information.

For expanded product information and technical data visit [peerless-av.com](http://peerless-av.com)

### TECHNICAL DRAWINGS



To verify mount compatibility with any display or projector model use MountFinder™ at [peerless-av.com](http://peerless-av.com).



CALL: 630-375-5100  
800-865-2112



FAX: 630-820-8537  
800-359-6500



E-MAIL:  
[info@peerless-av.com](mailto:info@peerless-av.com)



ON-LINE:  
[peerless-av.com](http://peerless-av.com)

### DISPLAY MOUNTS



### MODELS

#### Universal Models:

Includes theft resistant hardware for attaching display to mount  
**SA752PU** Semi-gloss black

### DISPLAY ADAPTOR



Mounting Pattern (W x H)

Universal Models: 600 x 400mm  
(23.62" x 15.75")



VESA® Pattern

Universal Models: 200 x 100 to 600 x 400mm

### SPECIFICATIONS



Distance from Wall

2.97"-26.47" (75-672mm)



Tilt | Swivel | Roll

+15/-5° | ±90° | ±5°



Max Load

90lb (41kg)



Landscape to Portrait

Display can be rotated landscape to portrait without removing the display

Product Dimensions (W x H x D)

24.50" x 17.46" x 2.97"-26.47"  
(622 x 444 x 75-672mm)

Mounting Surfaces

Wood stud, concrete, cinder/breeze block and metal stud  
(Metal stud accessory required)

Ship Weight

22.7lb (10.3kg)



Color Packaging

### CERTIFICATIONS



RoHS

### ACCESSORIES



#### WSP756:

Metal Stud Wall Plate..... pg# 233



#### ACC-WMVCS:

Video Conferencing Shelf ... pg# 217,226



#### IBA4-W:

Easy Mount Recessed Low Voltage Cable Plate..... pg# 227



#### IBA5-W:

Recessed Low Voltage Media Plate with Duplex Surge Suppressor... pg# 227



#### ACCXT400:

Recessed Power Outlet with Low Voltage In-Wall Cable Routing .. pg# 226



MODELS

Universal Models:

Includes theft resistant hardware for attaching display to mount

**SA761PU** Semi-gloss black

DISPLAY ADAPTOR

Mounting Pattern (W x H)

Universal Models: 600 x 400mm (23.62" x 15.75")



VESA® Pattern

Universal Models: 200 x 100 to 600 x 400mm

SPECIFICATIONS

**Distance from Wall**  
3.10"-26.60" (79-676mm)

**Tilt | Swivel | Roll**  
+15/-5° | ±90° | ±5°

**Max Load**  
125lb (57kg)

**Landscape to Portrait**  
Display can be rotated landscape to portrait without removing the display

**Product Dimensions (W x H x D)**  
24.50" x 19.87" x 3.10"-26.60" (622 x 505 x 79-676mm)

**Mounting Surfaces**  
Wood stud, concrete, cinder/breeze block and metal stud (Metal stud accessory required)

**Ship Weight**  
33.61lb (15.2kg)



Color Packaging

CERTIFICATIONS



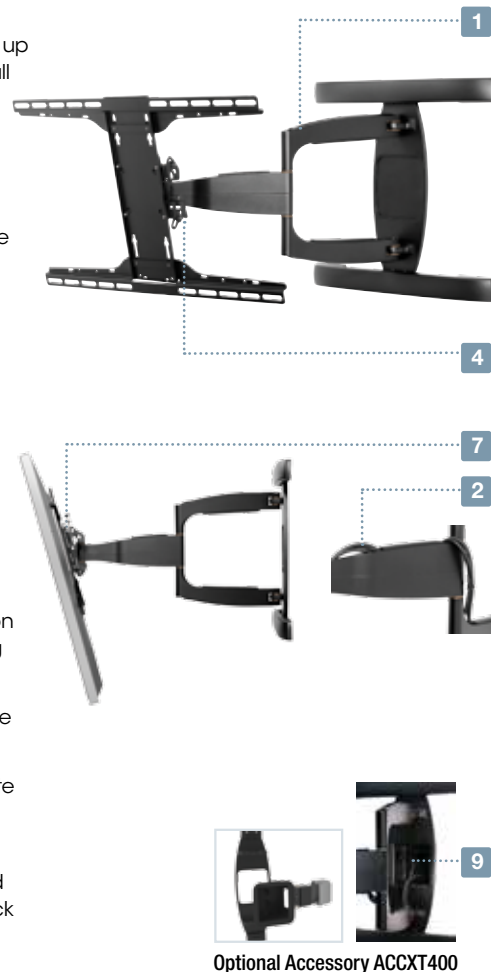
ACCESSORIES

-  **WSP756:** Metal Stud Wall Plate..... pg# 233
-  **ACC-WMVCS:** Video Conferencing Shelf ... pg# 217, 226
-  **IBA4-W:** Easy Mount Recessed Low Voltage Cable Plate..... pg# 227
-  **IBA5-W:** Recessed Low Voltage Media Plate with Duplex Surge Suppressor... pg# 227
-  **ACCXT400:** Recessed Power Outlet with Low Voltage In-Wall Cable Routing.. pg# 226

# SMARTMOUNT. Articulating Wall Arm

For 39" to 75" Displays

1. Low-profile when retracted at 3.10" (79mm) and can extend up to 26.60" (676mm) from the wall
2. Internal cable management provides ample area to run cables to complete a clean, professional installation
3. Stylish wall plate covers create a finished look and are easy to install and remove
4. One-Touch™ tilt mechanism allows adjustment of +15/-5° without the use of tools
5. ±5° of roll for post-installation leveling
6. Display can be rotated from landscape to portrait without removing the display
7. ±0.5" (13mm) of vertical adjustment for post-installation height adjustment fine-tuning
8. Open wall plate design increases electrical and cable management options
9. Removable cover for wall plate knockout included
10. The I-Shaped Adaptor plate's innovative design helps avoid blocking connections on back of display

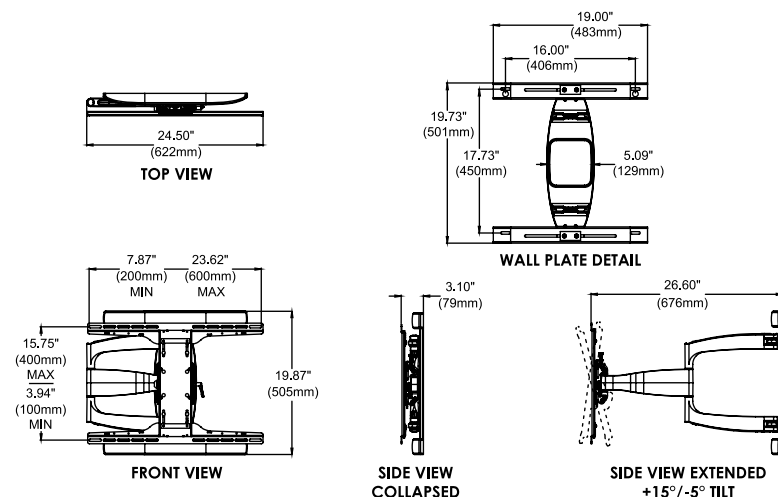


Please visit [peerless-av.com/en-us/patents](http://peerless-av.com/en-us/patents) for patent information.

Optional Accessory ACCXT400

TECHNICAL DRAWINGS

For expanded product information and technical data visit [peerless-av.com](http://peerless-av.com)



To verify mount compatibility with any display or projector model use MountFinder™ at [peerless-av.com](http://peerless-av.com).



CALL: 630-375-5100  
800-865-2112



FAX: 630-820-8537  
800-359-6500



E-MAIL: [info@peerless-av.com](mailto:info@peerless-av.com)

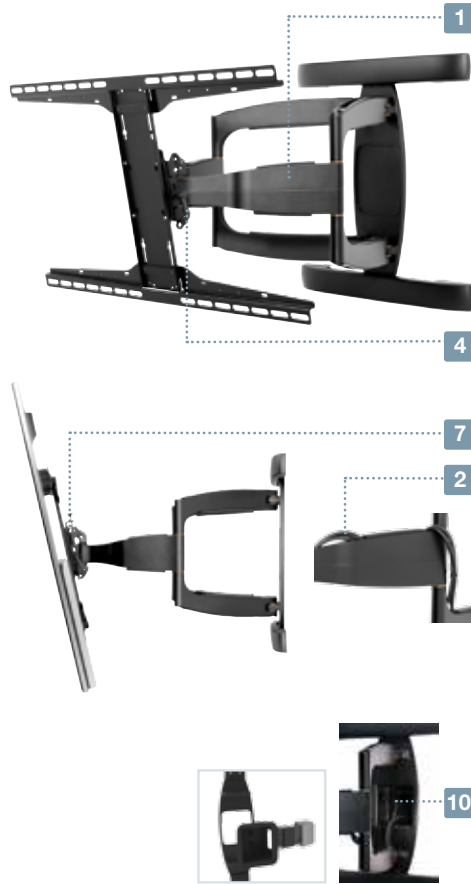


ON-LINE: [peerless-av.com](http://peerless-av.com)

# SMARTMOUNT. Articulating Wall Arm

For 46" to 90" Displays

1. Low-profile when retracted at 3.10" (79mm) and can extend up to 26.60" (676mm) from the wall
2. Internal cable management provides ample area to run cables to complete a clean, professional installation
3. Stylish wall plate covers create a finished look and are easy to install and remove
4. One-Touch™ tilt mechanism allows adjustment of +15/-5° without the use of tools
5. ±5° of roll for post-installation leveling
6. Display can be rotated from landscape to portrait without removing the display
7. ±0.5" (13mm) of vertical adjustment for post-installation height adjustment fine-tuning
8. Dual arms for a more robust installation
9. Open wall plate design increases electrical and cable management options
10. Removable cover for wall plate knockout included
11. The I-Shaped Adaptor plate's innovative design helps avoid blocking connections on back of display

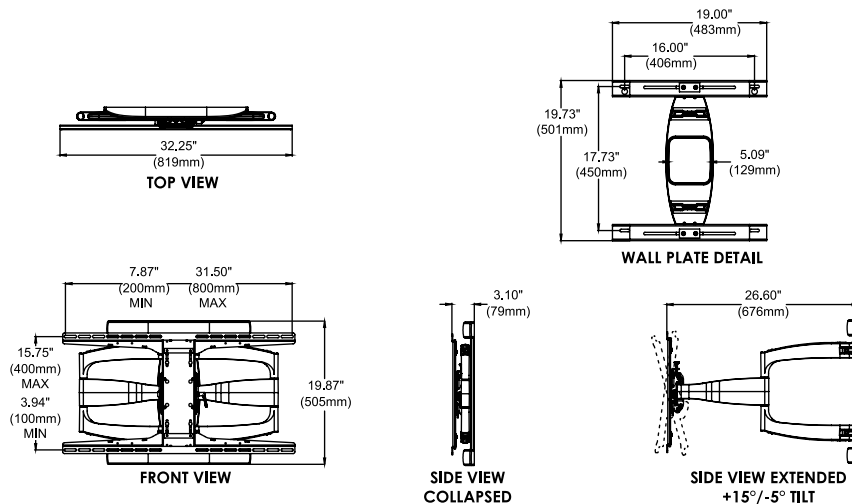


Optional Accessory ACCXT400

Please visit [peerless-av.com/en-us/patents](http://peerless-av.com/en-us/patents) for patent information.

For expanded product information and technical data visit [peerless-av.com](http://peerless-av.com)

## TECHNICAL DRAWINGS



To verify mount compatibility with any display or projector model use MountFinder™ at [peerless-av.com](http://peerless-av.com).



CALL: 630-375-5100  
800-865-2112



FAX: 630-820-8537  
800-359-6500



E-MAIL:  
[info@peerless-av.com](mailto:info@peerless-av.com)



ON-LINE:  
[peerless-av.com](http://peerless-av.com)

## DISPLAY MOUNTS



## MODELS

### Universal Models:

Includes theft resistant hardware for attaching display to mount  
**SA771PU** Semi-gloss black

## DISPLAY ADAPTOR



**Mounting Pattern** (W x H)

Universal Models: 800 x 400mm  
(31.50" x 15.75")



**VESA® Pattern**

Universal Models: 200 x 100 to 800 x 400mm

## SPECIFICATIONS



**Distance from Wall**

3.10"-26.60" (79-676mm)



**Tilt | Swivel | Roll**

+15/-5° | ±90° | ±5°



**Max Load**

150lb (68kg)



**Landscape to Portrait**

Display can be rotated landscape to portrait without removing the display

**Product Dimensions** (W x H x D)

32.25" x 19.87" x 3.10"-26.60"  
(819 x 505 x 79-676mm)

**Mounting Surfaces**

Wood stud, concrete, cinder block and metal stud  
(Metal stud accessory required)

**Ship Weight**

42.0lb (19.1kg)



Color Packaging

## CERTIFICATIONS



## ACCESSORIES



**WSP756:**  
Metal Stud Wall Plate ..... pg# 233



**ACC-WMVCs:**  
Video Conferencing Shelf ... pg# 217, 226



**IBA4-W:**  
Easy Mount Recessed  
Low Voltage Cable Plate ..... pg# 227



**IBA5-W:**  
Recessed Low Voltage Media Plate  
with Duplex Surge Suppressor ... pg# 227



**ACCXT400:**  
Recessed Power Outlet with Low  
Voltage In-Wall Cable Routing .. pg# 226



MODELS

Universal Models:

Includes standard hardware (hex or Phillips) for attaching display to mount  
**PF630** Glass black

DISPLAY ADAPTOR



VESA® Pattern

Universal Models: 75 and 100mm

SPECIFICATIONS



Distance from Wall

0.64" (16mm)



Max Load

50lb (23kg)

Product Dimensions (W x H x D)

5.65" x 5.07" x 0.64"  
 (144 x 129 x 16mm)

Mounting Surfaces

Wood stud, concrete, cinder/  
 breeze block and metal stud  
 (Metal stud accessory required)

Ship Weight



1.75lb (0.80kg)

Color Packaging

CERTIFICATIONS



RoHS

ACCESSORIES



**ACC215:**  
 2-pack Metal Stud  
 Fastener Kit ..... pg# 234



**ACC2X1:**  
 VESA® 200 x 100mm  
 Adaptor Plate..... pg# 226



**IBA4-W:**  
 Easy Mount Recessed  
 Low Voltage Cable Plate..... pg# 227



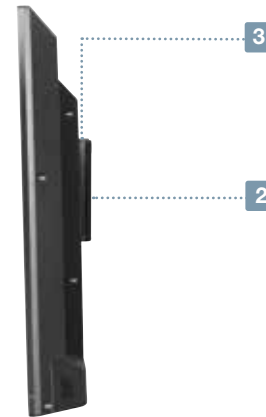
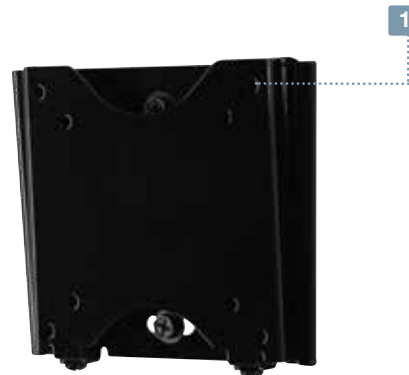
**IBA5-W:**  
 Recessed Low Voltage  
 Media Plate with Duplex  
 Surge Suppressor ..... pg# 227



**ESHV models:**  
 AV Wall Shelves ..... pg# 212

PARAMOUNT™ Flat Wall Mount  
 For 10" to 29" Displays

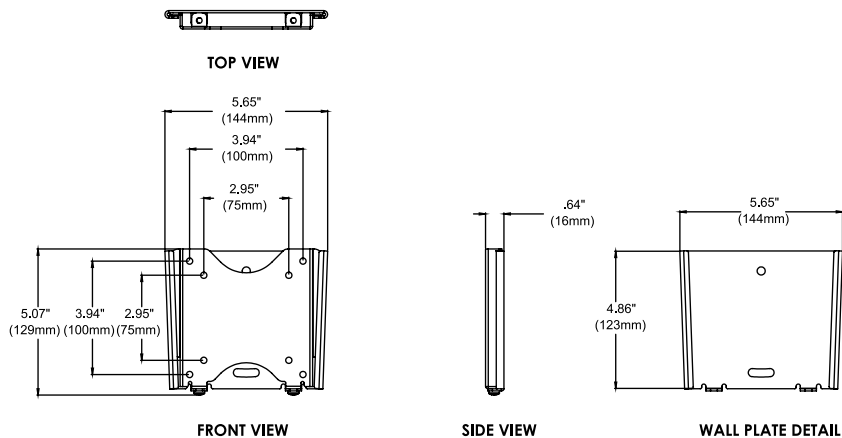
1. VESA® 75 and 100mm compliant
2. Low-profile design holds display 0.64" (16mm) away from the wall
3. Display adaptor plate simply hooks onto wall plate for quick and easy installation



Please visit [peerless-av.com/en-us/patents](http://peerless-av.com/en-us/patents) for patent information.

TECHNICAL DRAWINGS

For expanded product information and technical data visit [peerless-av.com](http://peerless-av.com)



To verify mount compatibility with any display or projector model use MountFinder™ at [peerless-av.com](http://peerless-av.com).



CALL: 630-375-5100  
 800-865-2112



FAX: 630-820-8537  
 800-359-6500



E-MAIL: [info@peerless-av.com](mailto:info@peerless-av.com)

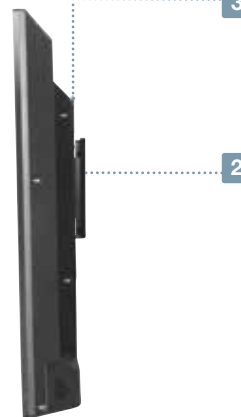


ON-LINE: [peerless-av.com](http://peerless-av.com)

# PARAMOUNT™ Flat Wall Mount

For 22" to 40" Displays

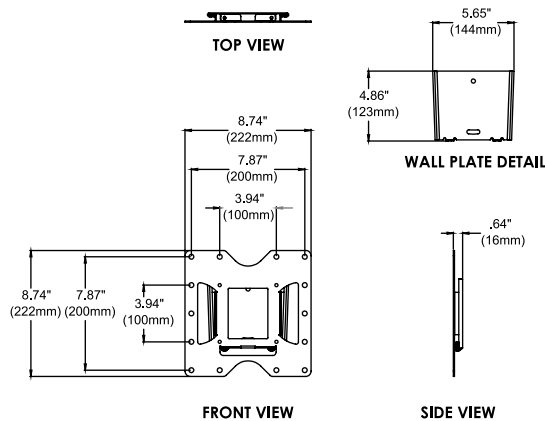
1. VESA® 100, 200 x 100 and 200 x 200mm compliant
2. Low-profile design holds display 0.64" (16mm) away from the wall
3. Display adaptor plate simply hooks onto wall plate for quick and easy installation
4. Compatible with displays that use M8 screws



Please visit [peerless-av.com/en-us/patents](http://peerless-av.com/en-us/patents) for patent information.

For expanded product information and technical data visit [peerless-av.com](http://peerless-av.com)

## TECHNICAL DRAWINGS



To verify mount compatibility with any display or projector model use MountFinder™ at [peerless-av.com](http://peerless-av.com).



CALL: 630-375-5100  
800-865-2112



FAX: 630-820-8537  
800-359-6500



E-MAIL: [info@peerless-av.com](mailto:info@peerless-av.com)



ON-LINE: [peerless-av.com](http://peerless-av.com)

## DISPLAY MOUNTS



## MODELS

### Universal Models:

Includes standard hardware (hex or Phillips) for attaching display to mount  
**PF632** Glass black

## DISPLAY ADAPTOR



### VESA® Pattern

Universal Models: 100, 200 x 100  
and 200 x 200mm

## SPECIFICATIONS



### Distance from Wall

0.64" (16mm)



### Max Load

80lb (36kg)

### Product Dimensions

(W x H x D)

8.74" x 8.74" x 0.64"  
(222 x 222 x 16mm)

### Mounting Surfaces

Wood stud, concrete, cinder/  
breeze block and metal stud  
(Metal stud accessory required)

### Ship Weight

2.85lb (1.29kg)



Color Packaging

## CERTIFICATIONS



## ACCESSORIES



### ACC215:

2-pack Metal Stud  
Fastener Kit ..... pg# 234



### ACC4X4:

VESA® 400 x 400mm  
Adaptor Plate ..... pg# 226



### IBA4-W:

Easy Mount Recessed  
Low Voltage Cable Plate..... pg# 227



### IBA5-W:

Recessed Low Voltage  
Media Plate with Duplex  
Surge Suppressor ..... pg# 227



### ESHV models:

AV Wall Shelves ..... pg# 212



MODELS

Universal Models:

Includes standard hardware (hex or Phillips) for attaching display to mount  
**PF640** Gloss black

DISPLAY ADAPTOR

Mounting Pattern

Universal Models: 450 x 305mm  
 (17.72"W x 12.01"H)

Many 42" flat panel displays have mounting hole patterns larger than dimensions above. Use MountFinder™ to verify mount compatibility.

VESA® Pattern

Universal Models: Up to 400 x 300mm

SPECIFICATIONS

Distance from Wall

1.26" (32mm)

Max Load

100lb (45kg)

Product Dimensions (W x H x D)

19.37" x 12.81" x 1.26"  
 (492 x 325 x 32mm)

Mounting Surfaces

Wood stud, concrete, cinder/breeze block and metal stud (Metal stud accessory required)

Ship Weight

5.20lb (2.36kg)



Color Packaging

CERTIFICATIONS



ACCESSORIES



**ACC415:**  
 4-pack Metal Stud Fastener Kit ..... pg# 234



**ACC309:**  
 Video Conference Shelf ..... pg# 216



**IBA4-W:**  
 Easy Mount Recessed Low Voltage Cable Plate ..... pg# 227

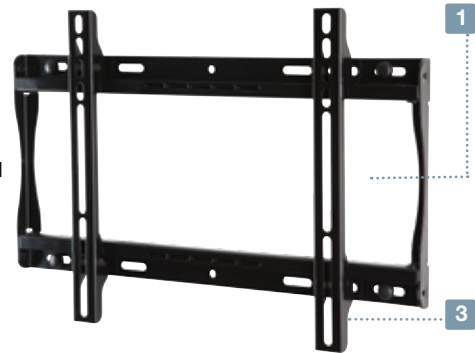


**ESHV models:**  
 AV Wall Shelves ..... pg# 212

# PARAMOUNT™ Universal Flat Wall Mount

For 32" to 46" Displays

1. Open wall plate design allows for total wall access, increasing electrical and cable management options
2. Low-profile design holds display only 1.26" (32mm) from the wall
3. Easy-Glide™ design ensures display is securely attached to wall plate
4. Horizontal display adjustment up to 6.00" (152mm) for centering display on wall
5. Universal display adaptors easily hook onto wall plate for fast installation
6. Landscape to portrait mounting options increases installation versatility. Please check your display dimensions against the wall plate when used in portrait mode\*.

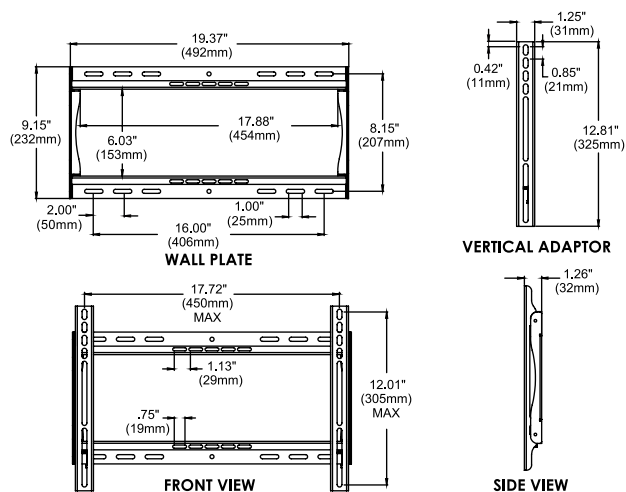


\* Requires display to be removed and reset on mount

Please visit [peerless-av.com/en-us/patents](http://peerless-av.com/en-us/patents) for patent information.

TECHNICAL DRAWINGS

For expanded product information and technical data visit [peerless-av.com](http://peerless-av.com)



To verify mount compatibility with any display or projector model use MountFinder™ at [peerless-av.com](http://peerless-av.com).



CALL: 630-375-5100  
 800-865-2112



FAX: 630-820-8537  
 800-359-6500



E-MAIL: [info@peerless-av.com](mailto:info@peerless-av.com)



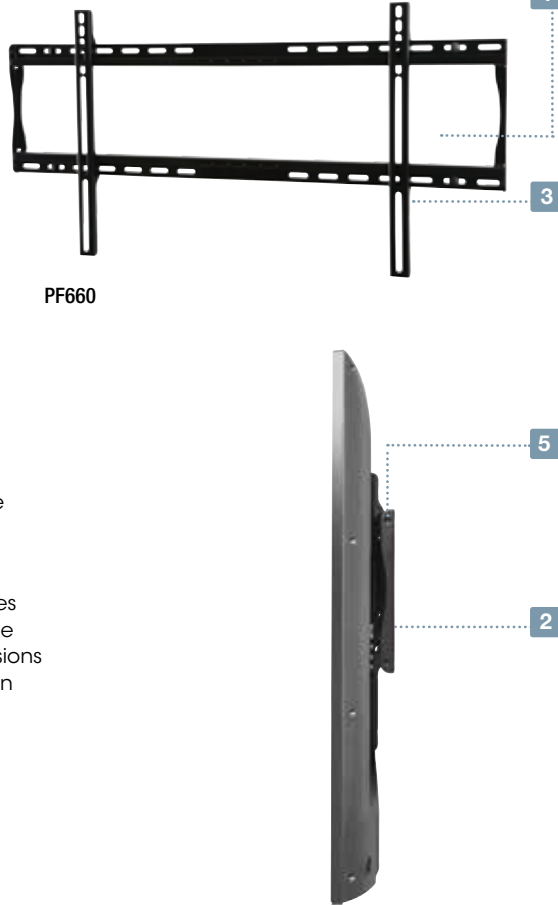
ON-LINE: [peerless-av.com](http://peerless-av.com)



# PARAMOUNT™ Universal Flat Wall Mount

For 39" to 90" Displays

1. Open wall plate design allows for total wall access, increasing electrical and cable management options
2. Low-profile design holds display only 1.26" (32mm)
3. Easy-Glide™ design ensures display is securely attached to wall plate
4. Horizontal display adjustment up to 8.00" (203mm) for centering display on wall
5. Universal display adaptors easily hook onto wall plate for fast installation
6. Landscape to portrait mounting options increases installation versatility. Please check your display dimensions against the wall plate when used in portrait mode\*.

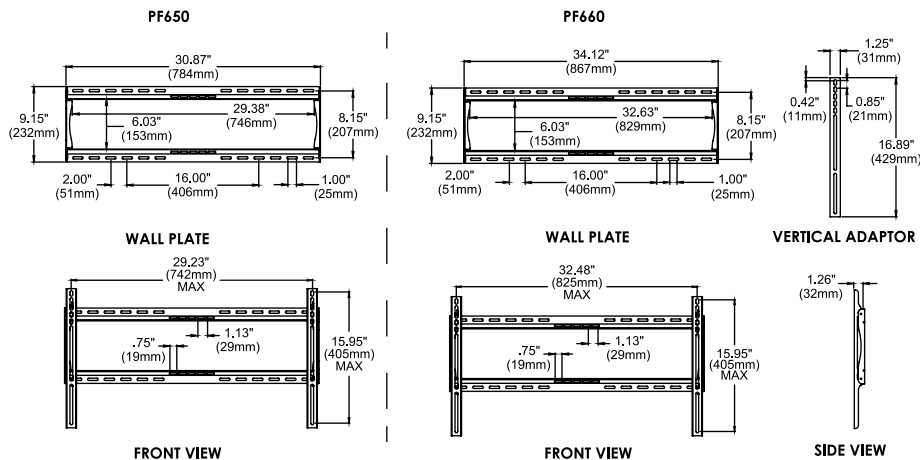


\*Requires display to be removed and reset on mount

Please visit [peerless-av.com/en-us/patents](http://peerless-av.com/en-us/patents) for patent information.

For expanded product information and technical data visit [peerless-av.com](http://peerless-av.com)

## TECHNICAL DRAWINGS



To verify mount compatibility with any display or projector model use MountFinder™ at [peerless-av.com](http://peerless-av.com).

CALL: 630-375-5100 800-865-2112 FAX: 630-820-8537 800-359-6500 E-MAIL: info@peerless-av.com ON-LINE: peerless-av.com

## DISPLAY MOUNTS



## MODELS

### Universal Models:

Includes standard hardware (hex or Phillips) for attaching display to mount

<b>PF650</b>	39" to 75" Displays	Gloss black
<b>PF660</b>	39" to 90" Displays	Gloss black

## DISPLAY ADAPTOR

Mounting Pattern (W x H)

### Universal Models:

<b>PF650:</b>	742 x 405mm (29.23" x 15.95")
<b>PF660:</b>	825 x 405mm (32.48" x 15.95")



### VESA® Pattern

### Universal Models:

<b>PF650:</b>	Up to 600 x 400mm
<b>PF660:</b>	Up to 800 x 400mm

## SPECIFICATIONS



### Distance from Wall

1.26" (32mm)



### Max Load

<b>PF650:</b>	150lb (68kg)
<b>PF660:</b>	200lb (91kg)

### Product Dimensions (W x H x D)

<b>PF650:</b>	30.87" x 16.89" x 1.26" (784 x 429 x 32mm)
<b>PF660:</b>	34.12" x 16.89" x 1.26" (867 x 429 x 32mm)

### Mounting Surfaces

Wood stud, concrete, cinder/breeze block and metal stud (Metal stud accessory required)

### Ship Weight



Color Packaging

<b>PF650:</b>	7.15lb (3.24kg)
<b>PF660:</b>	7.60lb (3.45kg)

## CERTIFICATIONS



## ACCESSORIES



**ACC415:**  
4-pack Metal Stud Fastener Kit ..... pg# 234



**ACC309:**  
Video Conference Shelf ..... pg# 216



**IBA4-W:**  
Easy Mount Recessed Low Voltage Cable Plate ..... pg# 227



**ESHV models:**  
AV Wall Shelves ..... pg# 212



MODELS

Universal Models:

Includes standard hardware (hex or Phillips) for attaching display to mount  
**PT630** Gloss black

DISPLAY ADAPTOR



VESA® Pattern

Universal Models: 75 and 100mm

SPECIFICATIONS



Distance from Wall

2.01"-2.98" (51-76mm)



Tilt

+15/-5°



Max Load

50lb (23kg)

Product Dimensions

(W x H x D)

5.43" x 4.50" x 2.01"-2.98"  
 (138 x 114 x 51-76mm)

Mounting Surfaces

Wood stud, concrete, cinder/  
 breeze block and metal stud  
 (Metal stud accessory required)

Ship Weight



1.45lb (0.66kg)

Color Packaging

CERTIFICATIONS



ACCESSORIES



**ACC215:**

2-pack Metal Stud  
 Fastener Kit ..... pg# 234



**ACC2X1:**

VESA® 200 x 100mm  
 Adaptor Plate ..... pg# 226



**IBA4-W:**

Easy Mount Recessed  
 Low Voltage Cable Plate ..... pg# 227



**IBA5-W:**

Recessed Low Voltage  
 Media Plate with Duplex  
 Surge Suppressor ..... pg# 227



**ESHV models:**

AV Wall Shelves ..... pg# 212

PARAMOUNT™ Tilt Wall Mount  
 For 10" to 29" Displays

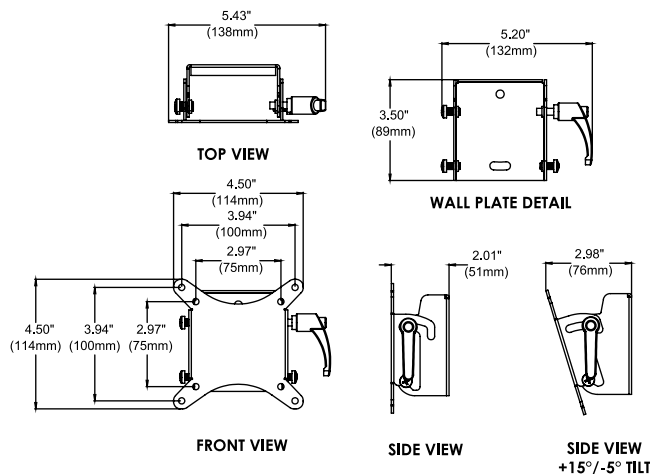
1. VESA® 75 and 100mm compliant
2. Up to +15/-5° of tilt without the use of tools
3. Easy-Grip™ ratcheting handle locks tilt angle into place
4. Display adaptor plate simply hooks onto wall plate for quick and easy installation



Please visit [peerless-av.com/en-us/patents](http://peerless-av.com/en-us/patents) for patent information.

TECHNICAL DRAWINGS

For expanded product information and technical data visit [peerless-av.com](http://peerless-av.com)



To verify mount compatibility with any display or projector model use MountFinder™ at [peerless-av.com](http://peerless-av.com).



CALL: 630-375-5100  
 800-865-2112



FAX: 630-820-8537  
 800-359-6500



E-MAIL: [info@peerless-av.com](mailto:info@peerless-av.com)



ON-LINE: [peerless-av.com](http://peerless-av.com)

# PARAMOUNT™ Tilt Wall Mount

## For 22" to 40" Displays

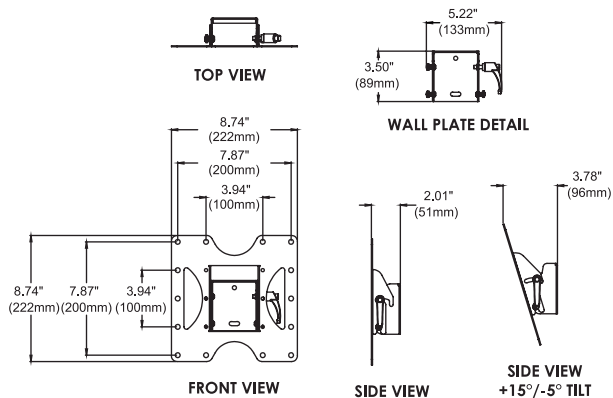
1. VESA® 100, 200 x 100 and 200 x 200mm compliant
2. Up to +15/-5° of tilt without the use of tools
3. Easy-Grip™ ratcheting handle locks tilt angle into place
4. Display adaptor plate simply hooks onto wall plate for quick and easy installation
5. Compatible with flat panels that use M8 screws



Please visit [peerless-av.com/en-us/patents](http://peerless-av.com/en-us/patents) for patent information.

For expanded product information and technical data visit [peerless-av.com](http://peerless-av.com)

### TECHNICAL DRAWINGS



### DISPLAY MOUNTS



### MODELS

Universal Models:	
<b>PT632</b>	Glass black

### DISPLAY ADAPTOR

VESA® Pattern	
Universal Models:	100, 200 x 100 and 200 x 200mm

### SPECIFICATIONS

	<b>Distance from Wall</b>	2.01"-3.78" (51-96mm)
	<b>Tilt</b>	+15/-5°
	<b>Max Load</b>	80lb (36kg)
	<b>Product Dimensions (W x H x D)</b>	8.74" x 8.74" x 2.01"-3.78" (222 x 222 x 51-96mm)
	<b>Mounting Surfaces</b>	Wood stud, concrete, cinder/breeze block and metal stud (Metal stud accessory required)
	<b>Ship Weight</b>	3.00lb (1.36kg)
	<b>Color Packaging</b>	

### CERTIFICATIONS



### ACCESSORIES

- ACC215:** 2-pack Metal Stud Fastener Kit ..... pg# 234
- ACC4X4:** VESA® 400 x 400mm Adaptor Plate ..... pg# 226
- IBA4-W:** Easy Mount Recessed Low Voltage Cable Plate ..... pg# 227
- IBA5-W:** Recessed Low Voltage Media Plate with Duplex Surge Suppressor ..... pg# 227
- ESHV models:** AV Wall Shelves ..... pg# 212

To verify mount compatibility with any display or projector model use MountFinder™ at [peerless-av.com](http://peerless-av.com).



MODELS

Universal Models:

Includes standard hardware (hex or Phillips) for attaching display to mount  
**PT640**      Gloss black

DISPLAY ADAPTOR

Mounting Pattern (W x H)

Universal Models: 450 x 305mm  
 (17.72" x 12.01")

Many 42" flat panel displays have mounting hole patterns larger than dimensions above. Use MountFinder™ to verify mount compatibility.

VESA® Pattern

Universal Models: Up to 400 x 300mm

SPECIFICATIONS

Distance from Wall  
 2.63"-4.74" (67-120mm)

Tilt  
 +15/-5°

Max Load  
 100lb (45kg)

Product Dimensions (W x H x D)  
 21.83" x 12.81" x 2.63"-4.74"  
 (555 x 325 x 67-120mm)

Mounting Surfaces

Wood stud, concrete, cinder/breeze block and metal stud  
 (Metal stud accessory required)

Ship Weight

8.15lb (3.70kg)



Color Packaging

CERTIFICATIONS



ACCESSORIES



**ACC415:**  
 4-pack Metal Stud  
 Fastener Kit ..... pg# 234



**ACC309:**  
 Video Conference Shelf ..... pg# 216



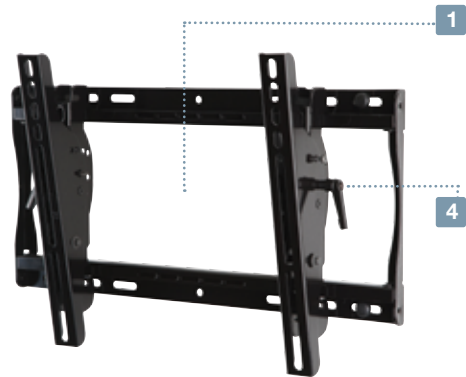
**IBA4-W:**  
 Easy Mount Recessed  
 Low Voltage Cable Plate ..... pg# 227



**ESHV models:**  
 AV Wall Shelves ..... pg# 212

PARAMOUNT™ Universal Tilt Wall Mount  
 For 32" to 46" Displays

1. Open wall plate design allows for total wall access, increasing electrical and cable management options
2. Universal tilt adaptors allow for +15/-5° tilt adjustment in one easy motion
3. Included IncreLok™ feature offers fixed tilt lock in 5° increments when used
4. Easy-Grip™ ratcheting handle locks tilt angle into place
5. Horizontal display adjustment up to 6.00" (152mm) for centering display on wall
6. Universal display adaptors easily hook onto wall plate for fast installation
7. Landscape to portrait mounting options increases installation versatility. Please check your display dimensions against the wall plate when used in portrait mode\*.

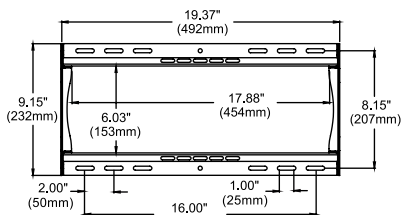


\*Requires display to be removed and reset on mount

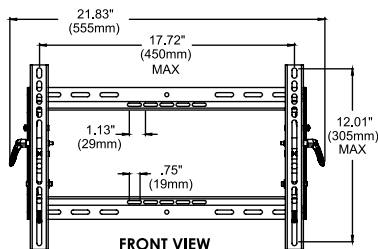
Please visit [peerless-av.com/en-us/patents](http://peerless-av.com/en-us/patents) for patent information.

TECHNICAL DRAWINGS

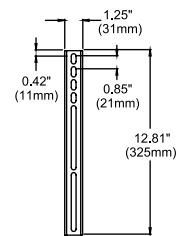
For expanded product information and technical data visit [peerless-av.com](http://peerless-av.com)



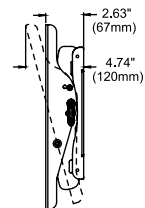
WALL PLATE



FRONT VIEW



VERTICAL ADAPTOR



SIDE VIEW  
 +15°/-5° TILT

To verify mount compatibility with any display or projector model use MountFinder™ at [peerless-av.com](http://peerless-av.com).



CALL: 630-375-5100  
 800-865-2112



FAX: 630-820-8537  
 800-359-6500



E-MAIL: [info@peerless-av.com](mailto:info@peerless-av.com)



ON-LINE: [peerless-av.com](http://peerless-av.com)

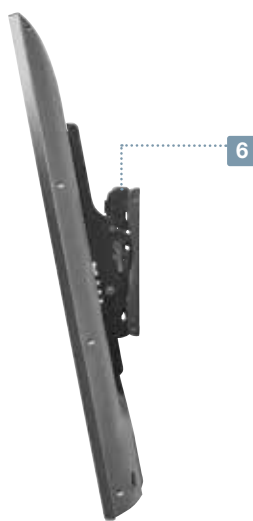
# PARAMOUNT™ Universal Tilt Wall Mount

## For 39" to 90" Displays

1. Open wall plate design allows for total wall access, increasing electrical and cable management options
2. Universal tilt adaptors allow for +15/-5° tilt adjustment in one easy motion
3. Included IncreLok™ feature offers fixed tilt lock in 5° increments when used
4. Easy-Grip™ ratcheting handle locks tilt angle into place
5. Horizontal display adjustment up to 8.00" (203mm) for centering display on wall
6. Universal display adaptors easily hook onto wall plate for fast installation
7. Landscape to portrait mounting options increases installation versatility. Please check your display dimensions against the wall plate when used in portrait mode\*.



PT660

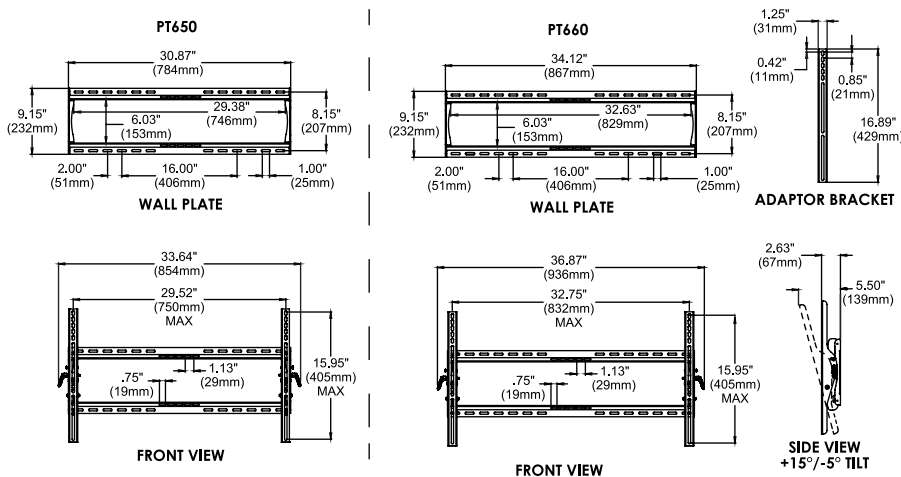


\*Requires display to be removed and reset on mount

Please visit [peerless-av.com/en-us/patents](http://peerless-av.com/en-us/patents) for patent information.

For expanded product information and technical data visit [peerless-av.com](http://peerless-av.com)

### TECHNICAL DRAWINGS



To verify mount compatibility with any display or projector model use MountFinder™ at [peerless-av.com](http://peerless-av.com).



CALL: 630-375-5100  
800-865-2112



FAX: 630-820-8537  
800-359-6500



E-MAIL: [info@peerless-av.com](mailto:info@peerless-av.com)



ON-LINE: [peerless-av.com](http://peerless-av.com)

### DISPLAY MOUNTS



### MODELS

#### Universal Models:

Includes standard hardware (hex or Phillips) for attaching display to mount

<b>PT650</b>	39" to 75" Displays	Gloss black
<b>PT660</b>	39" to 90" Displays	Gloss black

### DISPLAY ADAPTOR



Mounting Pattern (W x H)

#### Universal Models:

<b>PT650:</b>	750 x 405mm (29.52" x 15.95")
<b>PT660:</b>	832 x 405mm (32.75" x 15.95")



#### VESA® Pattern

#### Universal Models:

<b>PT650:</b>	Up to 600 x 400mm
<b>PT660:</b>	Up to 800 x 400mm

### SPECIFICATIONS



#### Distance from Wall

2.63"-5.50" (67-139mm)



#### Tilt

+15/-5°



#### Max Load

<b>PT650:</b>	150lb (68kg)
<b>PT660:</b>	200lb (91kg)

#### Product Dimensions (W x H x D)

<b>PT650:</b>	33.64" x 16.89" x 2.63"-5.50" (854 x 429 x 67-139mm)
<b>PT660:</b>	36.87" x 16.89" x 2.63"-5.50" (936 x 429 x 67-139mm)

#### Mounting Surfaces

Wood stud, concrete, cinder/breeze block and metal stud (Metal stud accessory required)

#### Ship Weight



Color Packaging

<b>PT650:</b>	10.35lb (4.69kg)
<b>PT660:</b>	10.70lb (4.85kg)

### CERTIFICATIONS



### ACCESSORIES



**ACC415:**  
4-pack Metal Stud  
Fastener Kit ..... pg# 234



**ACC309:**  
Video Conference Shelf ..... pg# 216



**IBA4-W:**  
Easy Mount Recessed  
Low Voltage Cable Plate..... pg# 227



**ESHV models:**  
AV Wall Shelves ..... pg# 212



MODELS

Universal Models:

Includes standard hardware (hex or Phillips) for attaching display to mount  
**PP730** Gloss black

DISPLAY ADAPTOR



VESA® Pattern

Universal Models: 75 and 100mm

SPECIFICATIONS

**Distance from Wall**  
 2.75"-7.40" (70-188mm)

**Tilt | Swivel | Roll**  
 ±15° | ±90° | ±5°

**Max Load**  
 25lb (11kg)

**Product Dimensions (W x H x D)**  
 8.24" x 5.50" x 2.75"-7.40"  
 (209 x 140 x 70-188mm)

**Mounting Surfaces**  
 Wood stud, concrete, cinder/breeze block and metal stud  
 (Metal stud accessory required)

**Ship Weight**  
 2.65lb (1.20kg)



Color Packaging

CERTIFICATIONS



ACCESSORIES

**ACC918:** Security Fasteners ..... pg# 234

**ACC2X1:** VESA® 200 x 100mm Adaptor Plate..... pg# 226

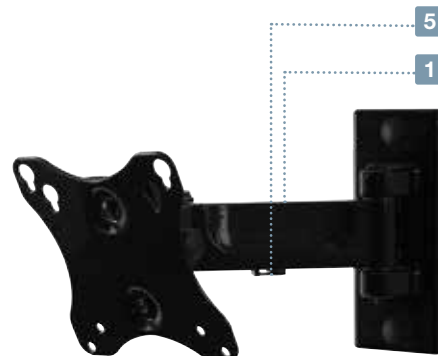
**WSP700/WSP701:** Metal Stud Wall Plates for 16"/24" Center Metal Studs... pg# 233

**ESHV models:** AV Wall Shelves ..... pg# 212

PARAMOUNT™ Pivot Wall Mount

For 10" to 29" Displays

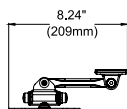
1. Extends display 7.40" (188mm) from the wall
2. Retracts to hold display just 2.75" (70mm) from the wall
3. ±90° of pivot allows for perfect display positioning
4. Quick and easy, Hook-and-Hang™ one-person installation
5. Integrated cable management provides clean, professional installation finish
6. Easy leveling ±5° after display installation
7. One-Touch™ tilt offers ±15° of viewing angle adjustment
8. Landscape or portrait mounting options increases display versatility
9. Includes all necessary wall mounting and display attachment hardware



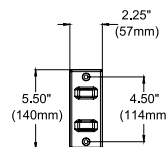
Please visit [peerless-av.com/en-us/patents](http://peerless-av.com/en-us/patents) for patent information.

TECHNICAL DRAWINGS

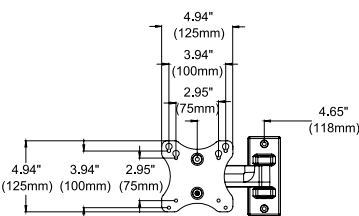
For expanded product information and technical data visit [peerless-av.com](http://peerless-av.com)



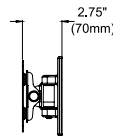
TOP VIEW



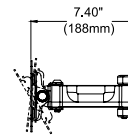
WALL PLATE DETAIL



FRONT VIEW



SIDE VIEW COLLAPSED



SIDE VIEW EXTENDED  
 +15°/-15° TILT

To verify mount compatibility with any display or projector model use MountFinder™ at [peerless-av.com](http://peerless-av.com).



CALL: 630-375-5100  
 800-865-2112



FAX: 630-820-8537  
 800-359-6500



E-MAIL: [info@peerless-av.com](mailto:info@peerless-av.com)

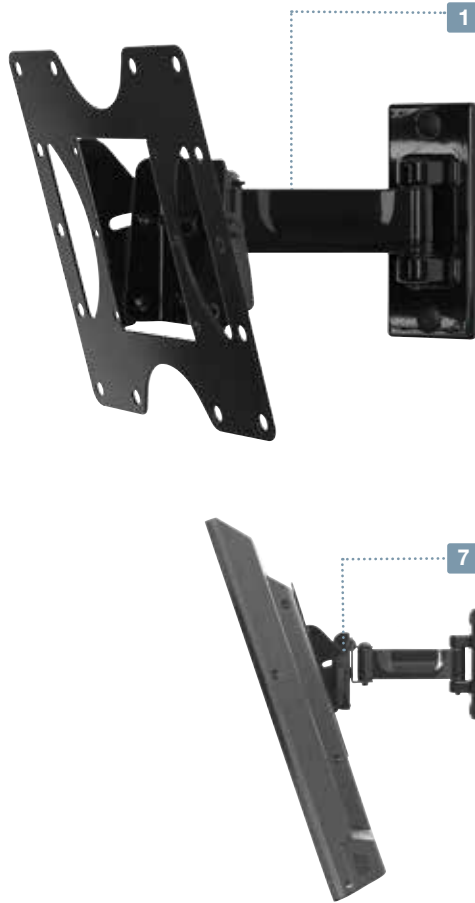


ON-LINE: [peerless-av.com](http://peerless-av.com)

# PARAMOUNT™ Pivot Wall Mount

For 22" to 40" Displays

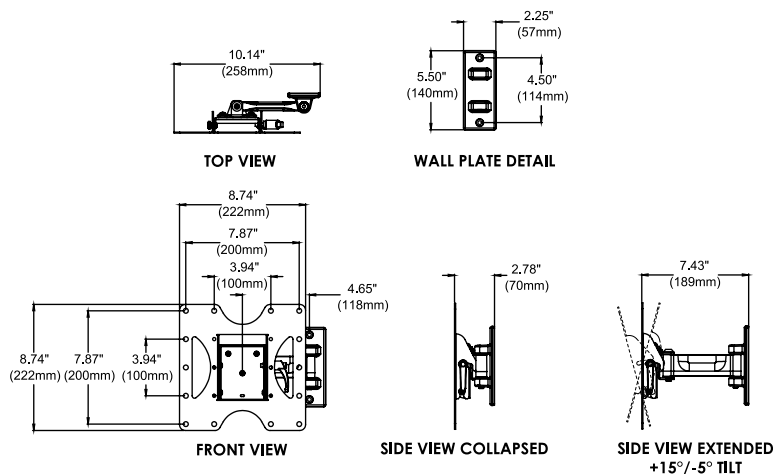
1. Extends display 7.43" (189mm) from the wall
2. Retracts to hold display just 2.78" (70mm) from the wall
3. ±90° of pivot allows for perfect display positioning
4. Quick and easy, Hook-and-Hang™ one-person installation
5. Integrated cable management provides clean, professional installation finish
6. Easy leveling ±5° after display installation
7. Locking tilt offers +15°/-5° of viewing angle adjustment
8. Landscape or portrait mounting options increases display versatility
9. Includes all necessary wall mounting and display attachment hardware



Please visit [peerless-av.com/en-us/patents](http://peerless-av.com/en-us/patents) for patent information.

For expanded product information and technical data visit [peerless-av.com](http://peerless-av.com)

## TECHNICAL DRAWINGS



To verify mount compatibility with any display or projector model use MountFinder™ at [peerless-av.com](http://peerless-av.com).



CALL: 630-375-5100  
800-865-2112



FAX: 630-820-8537  
800-359-6500



E-MAIL: [info@peerless-av.com](mailto:info@peerless-av.com)



ON-LINE: [peerless-av.com](http://peerless-av.com)

## DISPLAY MOUNTS



## MODELS

### Universal Models:

Includes standard hardware (hex or Phillips) for attaching display to mount  
**PP740**      Glass black

## DISPLAY ADAPTOR



### VESA® Pattern

Universal Models: 100, 200 x 100  
and 200 x 200mm

## SPECIFICATIONS



### Distance from Wall

2.78"-7.43" (70-189mm)



### Tilt | Swivel | Roll

+15°/-5° | ±90° | ±5°



### Max Load

80lb (36kg)

### Product Dimensions (W x H x D)

10.14" x 8.74" x 2.78"-7.43"  
(258 x 222 x 70-189mm)

### Mounting Surfaces

Wood stud, concrete, cinder/  
breeze block and metal stud  
(Metal stud accessory required)

### Ship Weight

4.10lb (1.86kg)



Color Packaging

## CERTIFICATIONS



## ACCESSORIES



### ACC4X4:

VESA® 400 x 400mm  
Adaptor Plate ..... pg# 226



### WSP700/WSP701:

Metal Stud Wall Plates for  
1 1/2" Center Metal Studs... pg# 233



### ESHV models:

AV Wall Shelves ..... pg# 212



MODELS

Universal Models:

Includes standard hardware (hex or Phillips) for attaching display to mount  
**PA730** Gloss black

DISPLAY ADAPTOR



VESA® Pattern

Universal Models: 75 and 100mm

SPECIFICATIONS

	<b>Distance from Wall</b>	2.73"-14.85" (69-377mm)
	<b>Tilt   Swivel   Roll</b>	±15°   ±90°   ±5°
	<b>Max Load</b>	25lb (11kg)
<b>Product Dimensions</b>	(W x H x D)	8.96" x 7.41" x 2.73"-14.85" (228 x 188 x 69-377mm)
<b>Mounting Surfaces</b>		Wood stud, concrete, cinder/breeze block and metal stud (Metal stud accessory required)

Ship Weight



3.55lb (1.61kg)

Color Packaging

CERTIFICATIONS



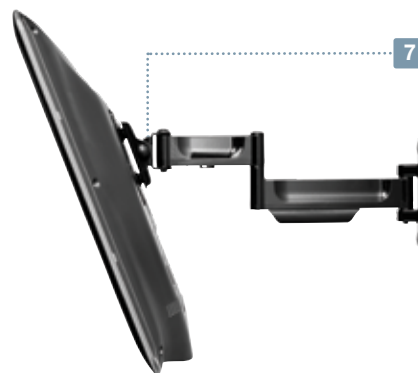
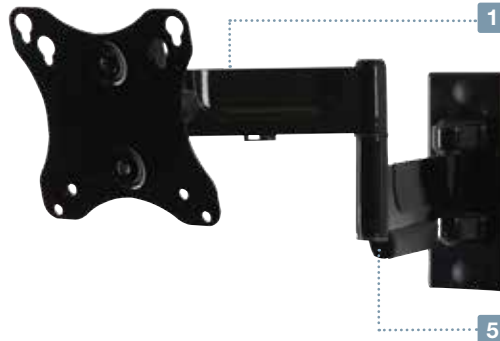
ACCESSORIES

- ACC918:** Security Fasteners ..... pg# 234
- ACC2X1:** VESA® 200 x 100mm Adaptor Plate ..... pg# 226
- WSP700/WSP701:** Metal Stud Wall Plates for 16/24" Center Metal Studs... pg# 233
- ESHV models:** AV Wall Shelves ..... pg# 212

# PARAMOUNT™ Articulating Wall Mount

For 10" to 29" Displays

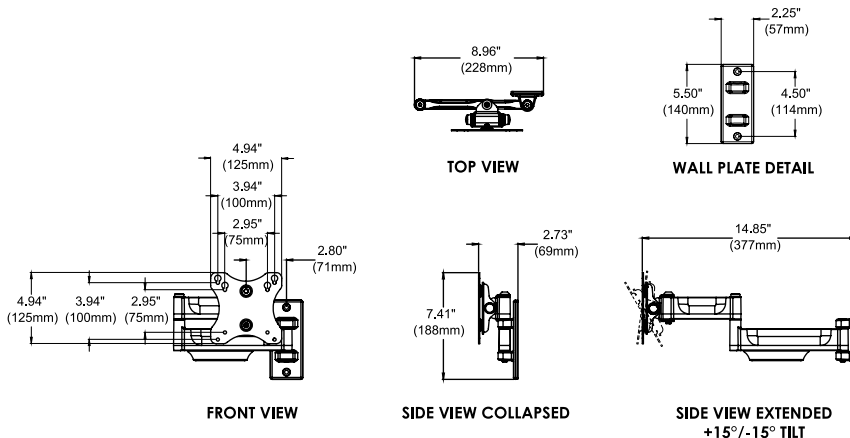
1. Extends display 14.85" (377mm) from the wall
2. Retracts to hold display just 2.73" (69mm) from the wall
3. ±90° of pivot allows for perfect display positioning
4. Quick and easy, Hook-and-Hang™ one-person installation
5. Integrated cable management provides clean, professional installation finish
6. Easy leveling ±5° after display installation
7. One-Touch™ tilt offers ±15° of viewing angle adjustment
8. Landscape or portrait mounting options increases display versatility
9. Includes all necessary wall mounting and display attachment hardware



Please visit [peerless-av.com/en-us/patents](http://peerless-av.com/en-us/patents) for patent information.

TECHNICAL DRAWINGS

For expanded product information and technical data visit [peerless-av.com](http://peerless-av.com)



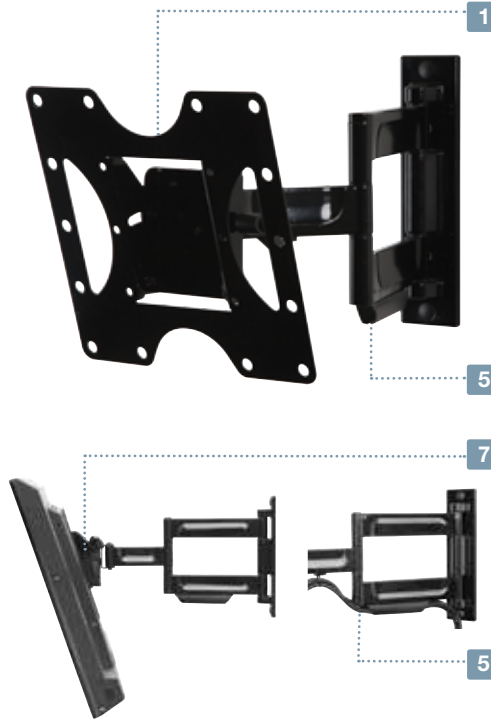
To verify mount compatibility with any display or projector model use MountFinder™ at [peerless-av.com](http://peerless-av.com).



# PARAMOUNT™ Articulating Wall Mount

For 22" to 40" Displays

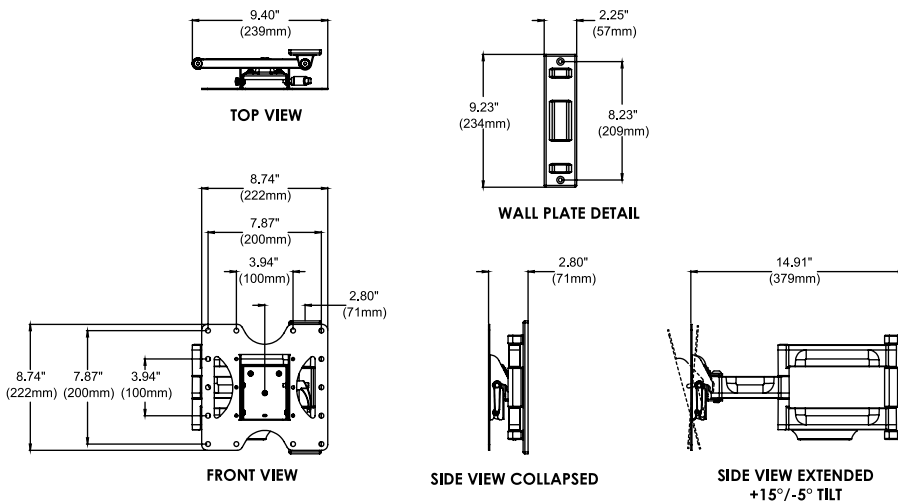
1. Extends display 14.91" (379mm) from the wall
2. Retracts to hold display 2.80" (71mm) from the wall
3. ±90° of pivot allows for perfect display positioning
4. Quick and easy, Hook-and-Hang™ one-person installation
5. Integrated cable management provides clean, professional installation finish
6. Easy leveling ±5° after display installation
7. Locking tilt offers +15°/-5° of viewing angle adjustment
8. Landscape or portrait mounting options increases display versatility
9. Includes all necessary wall mounting and display attachment hardware



Please visit [peerless-av.com/en-us/patents](http://peerless-av.com/en-us/patents) for patent information.

For expanded product information and technical data visit [peerless-av.com](http://peerless-av.com)

## TECHNICAL DRAWINGS



To verify mount compatibility with any display or projector model use MountFinder™ at [peerless-av.com](http://peerless-av.com).



CALL: 630-375-5100  
800-865-2112



FAX: 630-820-8537  
800-359-6500



E-MAIL:  
[info@peerless-av.com](mailto:info@peerless-av.com)



ON-LINE:  
[peerless-av.com](http://peerless-av.com)

## DISPLAY MOUNTS



## MODELS

### Universal Models:

Includes standard hardware (hex or Phillips) for attaching display to mount  
**PA740** Gloss black

## DISPLAY ADAPTOR



### VESA® Pattern

Universal Models: 100, 200 x 100  
and 200 x 200mm

## SPECIFICATIONS



### Distance from Wall

2.80"-14.91" (71-379mm)



### Tilt | Swivel | Roll

+15°/-5° | ±90° | ±5°



### Max Load

80lb (36kg)

### Product Dimensions (W x H x D)

9.40" x 8.74" x 2.80"-14.91"  
(239 x 222 x 71-379mm)

### Mounting Surfaces

Wood stud, concrete, cinder/  
breeze block and metal stud  
(Metal stud accessory required)

### Ship Weight



6.05lb (2.74kg)

Color Packaging

## CERTIFICATIONS



## ACCESSORIES



### ACC4X4:

VESA® 400 x 400mm  
Adaptor Plate ..... pg# 226



### WSP700/WSP701:

Metal Stud Wall Plates for  
16"/24" Center Metal Studs ... pg# 233



### ESHV models:

AV Wall Shelves ..... pg# 212



MODELS

Universal Models:

Includes standard hardware (hex or Phillips) for attaching display to mount  
**PA746** Gloss black

DISPLAY ADAPTOR



VESA® Pattern

Universal Models: 100, 200 x 100, 200 x 200, 300 x 200, 300 x 300, 400 x 300 and 400 x 400mm

SPECIFICATIONS



Distance from Wall

2.81"-15.08" (71-383mm)



Tilt | Swivel | Roll

+15°/-5° | ±90° | ±5°



Max Load

80lb (36kg)

Product Dimensions (W x H x D)

16.65" x 16.65" x 2.81"-15.08"  
 (423 x 423 x 71-383mm)

Mounting Surfaces

Wood stud, concrete, cinder/breeze block and metal stud (Metal stud accessory required)

Ship Weight

6.85lb (3.11kg)



Color Packaging

CERTIFICATIONS



ACCESSORIES



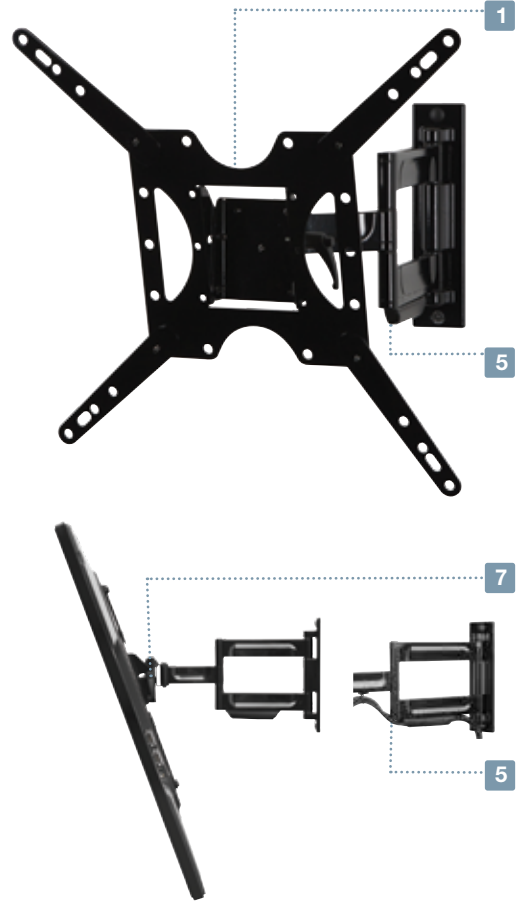
**WSP700/WSP701:**  
 Metal Stud Wall Plates for 16"/24" Center Metal Studs ... pg# 233



**ESHV models:**  
 AV Wall Shelves ..... pg# 212

PARAMOUNT™ **Articulating Wall Mount**  
 For 32" to 50" Displays

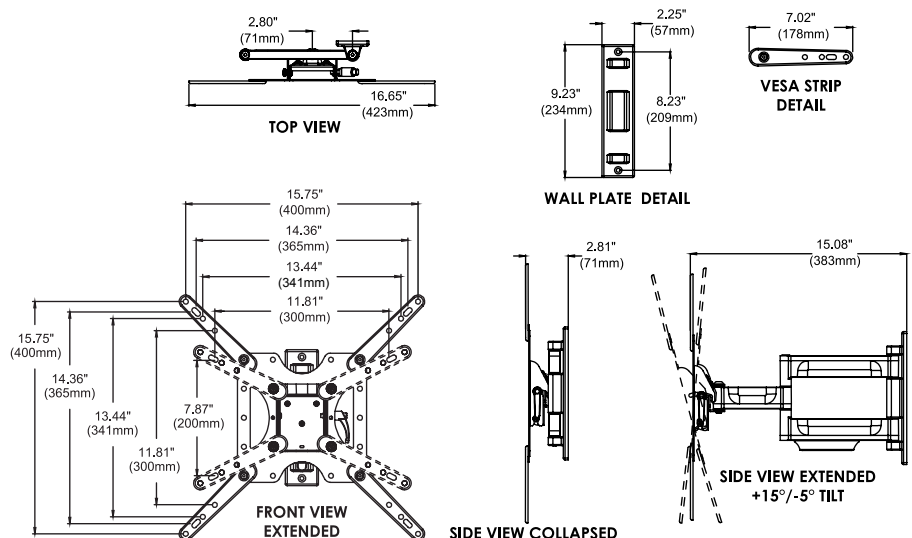
1. Extends display 15.08" (383mm) from the wall
2. Retracts to hold display 2.81" (71mm) from the wall
3. ±90° of pivot allows for perfect display positioning
4. Quick and easy, Hook-and-Hang™ one-person installation
5. Integrated cable management provides clean, professional installation finish
6. Easy leveling ±5° after display installation
7. Locking tilt offers +15°/-5° of viewing angle adjustment
8. Landscape or portrait mounting options increases display versatility
9. Includes all necessary wall mounting and display attachment hardware



Please visit [peerless-av.com/en-us/patents](http://peerless-av.com/en-us/patents) for patent information.

TECHNICAL DRAWINGS

For expanded product information and technical data visit [peerless-av.com](http://peerless-av.com)

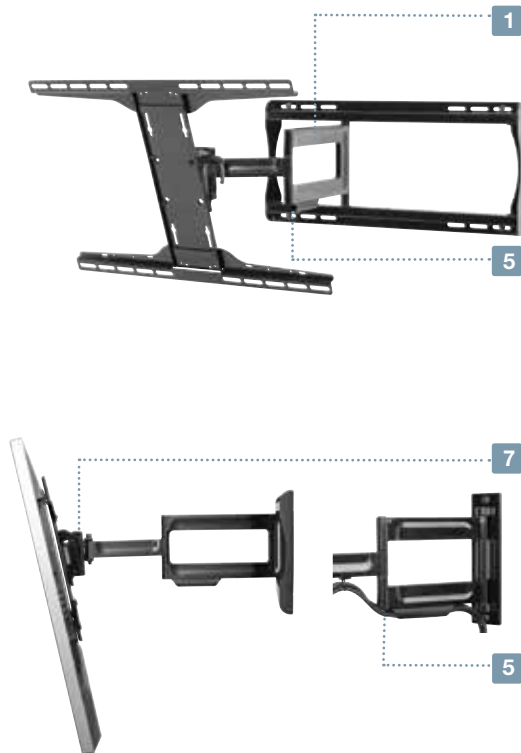


To verify mount compatibility with any display or projector model use MountFinder™ at [peerless-av.com](http://peerless-av.com).

# PARAMOUNT™ Articulating Wall Mount

## For 39" to 75" Displays

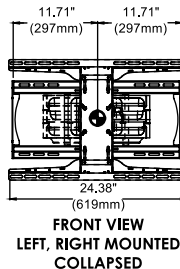
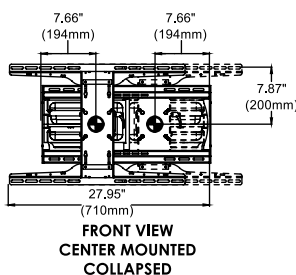
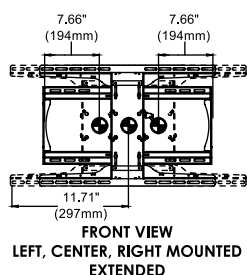
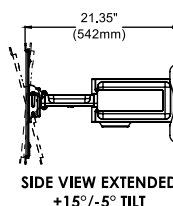
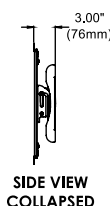
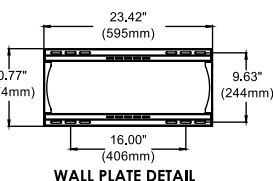
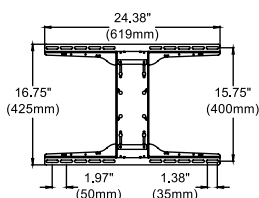
1. Extends display 21.35" (542mm) from the wall
2. Retracts to hold display 3.00" (76mm) from the wall
3.  $\pm 90^\circ$  of pivot allows for perfect display positioning
4. Quick and easy, Hook-and-Hang™ one-person installation
5. Integrated cable management provides clean, professional installation finish
6. Easy leveling  $\pm 5^\circ$  after display installation
7. Locking tilt offers  $+15^\circ/-5^\circ$  of viewing angle adjustment
8. Includes all necessary wall mounting and display attachment hardware
9. The I-Shaped Adaptor plate's innovative design helps avoid blocking connections on back of display



Please visit [peerless-av.com/en-us/patents](http://peerless-av.com/en-us/patents) for patent information.

For expanded product information and technical data visit [peerless-av.com](http://peerless-av.com)

### TECHNICAL DRAWINGS



To verify mount compatibility with any display or projector model use MountFinder™ at [peerless-av.com](http://peerless-av.com).



CALL: 630-375-5100  
800-865-2112



FAX: 630-820-8537  
800-359-6500



E-MAIL:  
[info@peerless-av.com](mailto:info@peerless-av.com)



ON-LINE:  
[peerless-av.com](http://peerless-av.com)

### DISPLAY MOUNTS



### MODELS

#### Universal Models:

Includes standard hardware (hex or Phillips) for attaching display to mount  
**PA750** Gloss black

### DISPLAY ADAPTOR



Mounting Pattern (W x H)

Universal Models: 600 x 400mm  
(23.62" x 15.75")



#### VESA® Pattern

Universal Models: 200 x 100 to 600 x 400mm

### SPECIFICATIONS



Distance from Wall

3.00"-21.35" (76-542mm)



Tilt | Swivel | Roll

$+15^\circ/-5^\circ$  |  $\pm 90^\circ$  |  $\pm 5^\circ$



Max Load

100lb (45kg)

Product Dimensions (W x H x D)

24.38" x 16.75" x 3.00"-21.35"  
(619 x 425 x 76-542mm)

Mounting Surfaces

Wood stud, concrete, cinder/  
breeze block and metal stud  
(Metal stud accessory required)

Ship Weight

19lb (8.62kg)



Color Packaging

### CERTIFICATIONS



### ACCESSORIES



ESHV models:

AV Wall Shelves..... pg# 212



MODELS

Universal Models:

Includes standard hardware (hex or Phillips) for attaching display to mount  
**PA762** Gloss black

DISPLAY ADAPTOR

Mounting Pattern (W x H)

Universal Models: 600 x 400mm  
 (23.62" x 15.75")

VESA® Pattern

Universal Models: 200 x 100 to 600 x 400mm

SPECIFICATIONS

Distance from Wall  
 3.00"-21.32" (76-542mm)

Tilt | Swivel | Roll  
 +15°/-5° | ±90° | ±5°

Max Load  
 150lb (68kg)

Product Dimensions (W x H x D)  
 24.38" x 16.75" x 3.00"-21.32"  
 (619 x 425 x 76-542mm)

Mounting Surfaces  
 Wood stud, concrete  
 and cinder/breeze block

Ship Weight  
 24.40lb (11.07kg)



Color Packaging

CERTIFICATIONS



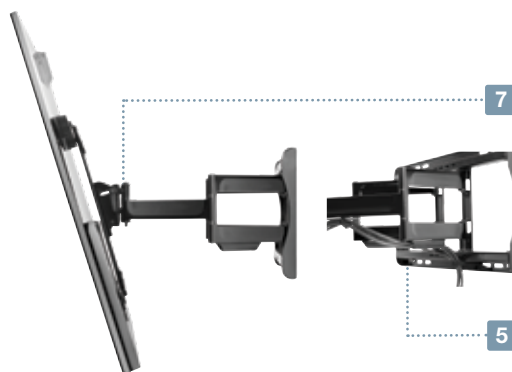
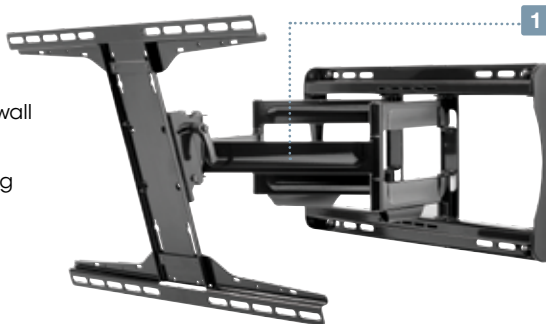
ACCESSORIES



ESHV models:  
 AV Wall Shelves ..... pg# 212

PARAMOUNT™ Articulating Wall Mount  
 For 39" to 90" Displays

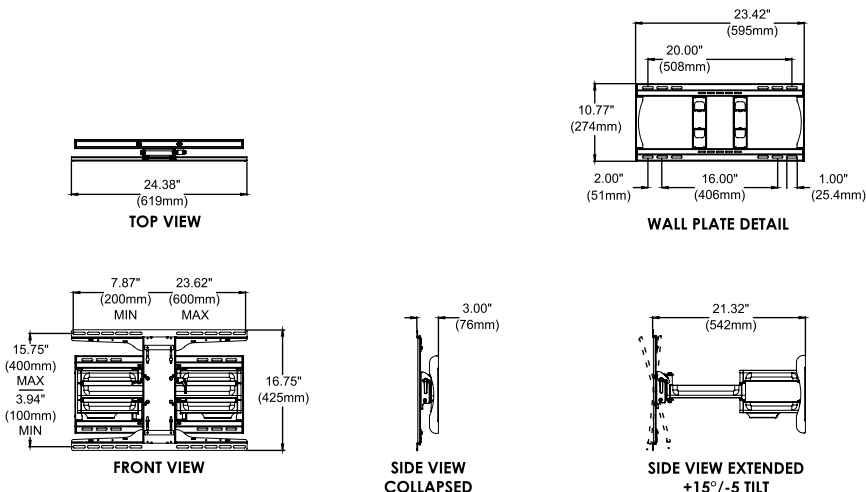
1. Extends display 21.32" (542mm) from the wall
2. Retracts to hold display 3.00" (76mm) from the wall
3. ±90° of pivot allows for perfect display positioning
4. Quick and easy, Hook-and-Hang™ one-person installation
5. Integrated cable management provides clean, professional installation finish
6. Easy leveling ±5° after display installation
7. Locking tilt offers +15°/-5° of viewing angle adjustment
8. Includes all necessary wall mounting and display attachment hardware
9. The I-Shaped Adaptor plate's innovative design helps avoid blocking connections on back of display



Please visit [peerless-av.com/en-us/patents](http://peerless-av.com/en-us/patents) for patent information.

TECHNICAL DRAWINGS

For expanded product information and technical data visit [peerless-av.com](http://peerless-av.com)



To verify mount compatibility with any display or projector model use MountFinder™ at [peerless-av.com](http://peerless-av.com).



CALL: 630-375-5100  
 800-865-2112



FAX: 630-820-8537  
 800-359-6500



E-MAIL: [info@peerless-av.com](mailto:info@peerless-av.com)



ON-LINE: [peerless-av.com](http://peerless-av.com)

# Universal Ultra Slim Designer Series™ Flat Wall Mount

For 37" to 80" Ultra-thin Displays

1. Ultra slim design holds displays only 0.33" (8mm) from the wall
2. Industrial strength Velcro® latching system holds display in place against the wall plate, preventing accidental bump-off or horizontal adjustment
3. Easy three-step installation, mount the wall plate, attach display adaptors to display and hang display
4. Lateral shift adjustment up to 6" (152mm) for centering display on wall with SUF640P and up to 8" (203mm) with SUF650P and SUF660P models
5. Universal display adaptors easily hook onto wall plate for fast installation



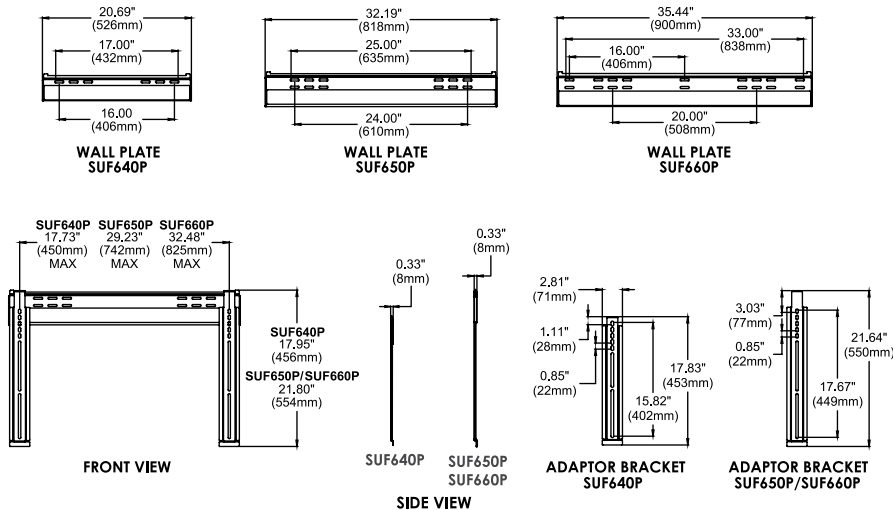
#### Display Mounting Requirements

1. Designed for use with displays that are less than 3" (76mm) deep.
2. The depth of this mount (0.33" (8mm)) may not provide sufficient space for proper ventilation on some displays. Refer to the manufacturer's requirements for mounting the display before installation.
3. The display must have a flat mounting surface, or mounting holes need to be on the furthest back surface of the display.
4. Input/output connection must be properly orientated to accommodate mounting 0.33" (8mm) from the wall.

Please visit [peerless-av.com/en-us/patents](http://peerless-av.com/en-us/patents) for patent information.

For expanded product information and technical data visit [peerless-av.com](http://peerless-av.com)

## TECHNICAL DRAWINGS



To verify mount compatibility with any display or projector model use MountFinder™ at [peerless-av.com](http://peerless-av.com).

CALL: 630-375-5100 800-865-2112 | FAX: 630-820-8537 800-359-6500 | E-MAIL: info@peerless-av.com | ON-LINE: peerless-av.com

## DISPLAY MOUNTS



## MODELS

### Universal Models:

Includes standard hardware (hex or Phillips) for attaching display to mount

<b>SUF640P*</b>	37" to 50" Displays	Gloss black
<b>SUF650P*</b>	37" to 75" Displays	Gloss black
<b>SUF660P*</b>	40" to 80" Displays	Gloss black

\* Designed for use with displays that are less than 3" (76mm) deep

## DISPLAY ADAPTOR



Mounting Pattern (W x H)

### Universal Models

<b>SUF640P:</b>	450 x 402mm (17.73" x 15.82")
<b>SUF650P:</b>	742 x 449mm (29.23" x 17.67")
<b>SUF660P:</b>	825 x 449mm (32.48" x 17.67")



VESA® Pattern

### Universal Models

<b>SUF640P:</b>	Up to 400 x 400mm
<b>SUF650P:</b>	Up to 600 x 400mm
<b>SUF660P:</b>	Up to 800 x 400mm

## SPECIFICATIONS



Distance from Wall

0.33" (8mm)



Max Load

150lb (68kg)

Product Dimensions (W x H x D)

<b>SUF640P:</b>	20.69" x 17.95" x 0.33" (526 x 456 x 8mm)
<b>SUF650P:</b>	32.19" x 21.80" x 0.33" (818 x 554 x 8mm)
<b>SUF660P:</b>	35.44" x 21.80" x 0.33" (900 x 554 x 8mm)

Mounting Surfaces

Wood stud, concrete, cinder/breeze block and metal stud (Metal stud accessory required)

Ship Weight

<b>SUF640P:</b>	4.7lb (2.13kg)
<b>SUF650P:</b>	7.6lb (3.44kg)
<b>SUF660P:</b>	7.8lb (3.53kg)

## CERTIFICATIONS



## ACCESSORIES



### ACC215/ ACC415/ ACC615:

2-pack/ 4-pack/ 6-pack Metal Stud Fastener Kit ..... pg# 234



### ACC952:

Above Display SUF Security Lock Accessory ..... pg# 226



### IBA2(-W), IBA2AC(-W), IBA3(-W), IBA3AC(-W):

Recessed Cable Management and Power Storage Accessory Box ... pg# 227



### IBA4-W:

Easy Mount Recessed Low Voltage Cable Plate ..... pg# 227



### IBA5-W:

Recessed Low Voltage Media Plate with Duplex Surge Suppressor... pg# 227



### ESHV models:

AV Wall Shelves ..... pg# 212



MODELS

Universal Models:

Includes standard hardware (hex or Phillips) for attaching display to mount

<b>SUF641*</b>	24" to 50" Displays	Gloss black
<b>SUF651*</b>	37" to 75" Displays	Gloss black
<b>SUF661*</b>	40" to 80" Displays	Gloss black

\* Designed for use with displays that are less than 3" (75mm) deep

DISPLAY ADAPTOR



VESA® Pattern

Universal Models	(in 25mm increments)
<b>SUF641:</b>	75 to 425mm
<b>SUF651:</b>	150 to 400 and 550 to 700mm
<b>SUF661:</b>	150 to 400 and 550 to 800mm

SPECIFICATIONS



Distance from Wall

0.19" (5mm)



Max Load

150lb (68kg)

Product Dimensions (W x H x D)

<b>SUF641:</b>	20.00" x 5.50" x 0.19" (508 x 140 x 5mm)
<b>SUF651:</b>	32.00" x 5.50" x 0.19" (813 x 140 x 5mm)
<b>SUF661:</b>	35.25" x 5.50" x 0.19" (895 x 140 x 5mm)

Mounting Surfaces

Wood stud, concrete and cinder/breeze block

Ship Weight

<b>SUF641:</b>	4lb (1.8kg)
<b>SUF651:</b>	5.8lb (2.61kg)
<b>SUF661:</b>	6.1lb (2.75kg)

CERTIFICATIONS



ACCESSORIES



**ACC952:**  
Above Display SUF Security Lock Accessory ..... pg# 226



**IBA2(-W), IBA2AC(-W):**  
Recessed Cable Management and Power Storage Accessory Box ..... pg# 227



**IBA3(-W), IBA3AC(-W):**  
Recessed Cable Management and Power Storage Accessory Box ..... pg# 227



**IBA4-W:**  
Easy Mount Recessed Low Voltage Cable Plate ..... pg# 227



**IBA5-W:**  
Recessed Low Voltage Media Plate with Duplex Surge Suppressor ..... pg# 227

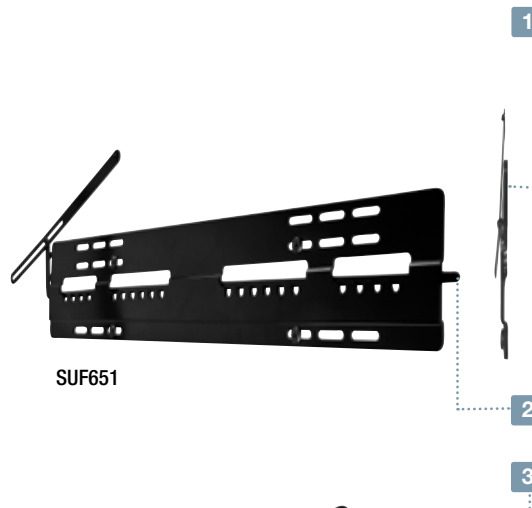


**ESHV models:**  
AV Wall Shelves ..... pg# 212

# Universal Ultra Slim Designer Series™ Flat Wall Mount

For 24" to 80" Ultra-thin Displays

1. Ultra slim design holds displays only 0.19" (5mm) from the wall
2. Locking arm holds display in place and prevents accidental bump-offs and unwanted horizontal adjustments
3. Theft resistant security screw on locking arm
4. Easy three-step installation, mount the wall plate, hang the display and insert the locking arm



SUF651

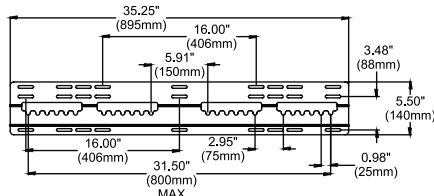
Display Mounting Requirements

1. Designed for use with displays that are less than 3" (76mm) deep.
2. The depth of this mount (0.19" (5mm)) may not provide sufficient space for proper ventilation on some displays. Refer to the manufacturer's requirements for mounting the display before installation.
3. The display must have a flat mounting surface, or mounting holes need to be on the furthest back surface of the display.
4. Input/output connection must be properly orientated to accommodate mounting 0.19" (5mm) from the wall.

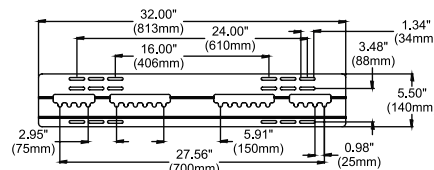
Please visit [peerless-av.com/en-us/patents](http://peerless-av.com/en-us/patents) for patent information.

TECHNICAL DRAWINGS

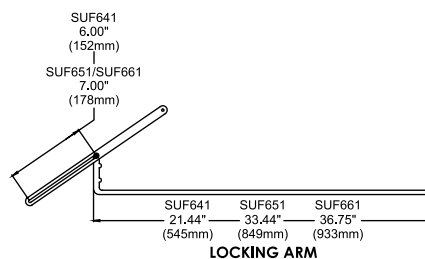
For expanded product information and technical data visit [peerless-av.com](http://peerless-av.com)



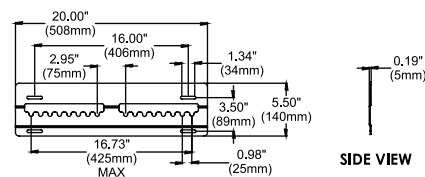
SUF661 FRONT VIEW



SUF651 FRONT VIEW



LOCKING ARM



SUF641 FRONT VIEW

SIDE VIEW

To verify mount compatibility with any display or projector model use MountFinder™ at [peerless-av.com](http://peerless-av.com).



CALL: 630-375-5100  
800-865-2112



FAX: 630-820-8537  
800-359-6500



E-MAIL: [info@peerless-av.com](mailto:info@peerless-av.com)

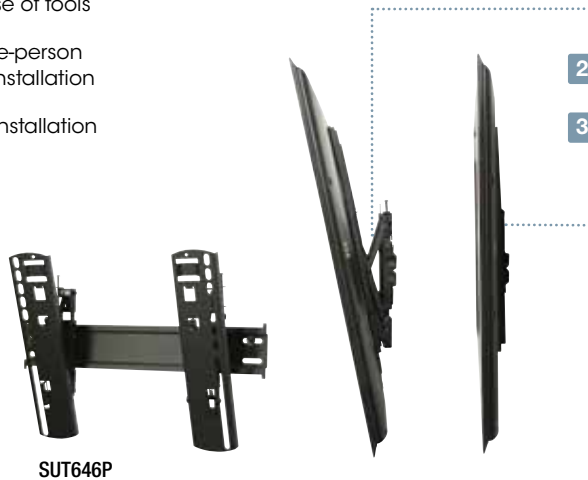
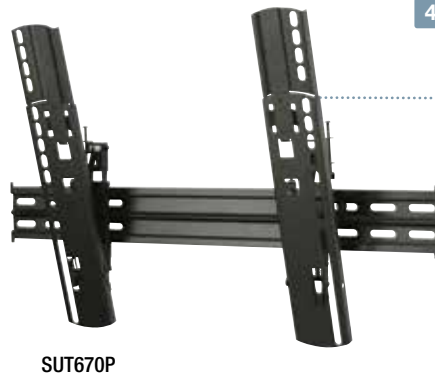


ON-LINE: [peerless-av.com](http://peerless-av.com)

# Universal Ultra Slim Designer Series™ Tilt Wall Mount

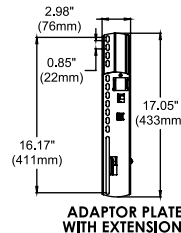
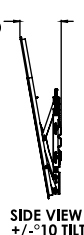
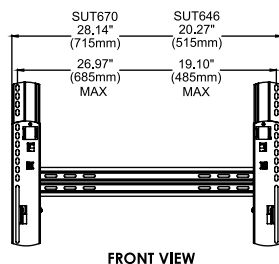
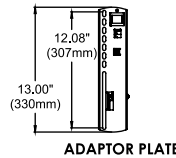
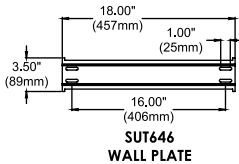
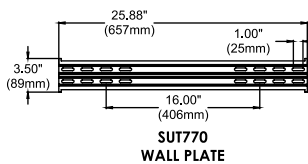
For 32" to 80" Displays

1. Holds displays only 1.00" (25mm) from the wall, creating a low-profile finish perfect for today's ultra-thin displays
2. ±10° of One-Touch™ tilt for smooth viewing angle adjustment
3. Tilt lock holds display securely against the wall at 0°
4. Adaptor extensions attach for larger VESA® mounting patterns or may be removed to accommodate bump-outs
5. Safety clip and pull cord offers secure attachment to the wall plate without the use of tools
6. Quick and easy one-person Hook-and-Hang™ installation
7. Up to 1.00" of post-installation leveling



For expanded product information and technical data visit [peerless-av.com](http://peerless-av.com)

## TECHNICAL DRAWINGS



To verify mount compatibility with any display or projector model use MountFinder™ at [peerless-av.com](http://peerless-av.com).



CALL: 630-375-5100  
800-865-2112



FAX: 630-820-8537  
800-359-6500



E-MAIL: [info@peerless-av.com](mailto:info@peerless-av.com)



ON-LINE: [peerless-av.com](http://peerless-av.com)

## DISPLAY MOUNTS



## MODELS

### Universal Models:

Includes standard hardware (hex or Phillips) for attaching display to mount

<b>SUT646P</b>	32" to 50" Displays	Gloss black
<b>SUT670P</b>	32" to 80" Displays	Gloss black

## DISPLAY ADAPTOR



Mounting Pattern (W x H)

### Universal Models

<b>SUT646P:</b>	485 x 307-411 mm (19.10" x 12.08"-16.17")
<b>SUT670P:</b>	685 x 307-411 mm (26.97" x 12.08"-16.17")



### VESA® Pattern

### Universal Models

<b>SUT646P:</b>	Up to 400 x 400mm
<b>SUT670P:</b>	Up to 600 x 400mm

## SPECIFICATIONS



### Distance from Wall

1.00"-4.30" (25-109mm)



### Tilt

±10°



### Max Load

<b>SUT646P:</b>	70lb (32kg)
<b>SUT670P:</b>	125lb (57kg)

### Product Dimensions (W x H x D)

<b>SUT646P:</b>	20.27" x 13.00"-17.05" x 1.00"-4.30" (515 x 330-433 x 25-109mm)
<b>SUT670P:</b>	28.14" x 13.00"-17.05" x 1.00"-4.30" (715 x 330-433 x 25-109mm)

### Mounting Surfaces

Wood stud, concrete and cinder/breeze block

### Ship Weight



<b>SUT646P:</b>	5.17lb (2.35kg)
<b>SUT670P:</b>	6.85lb (3.12kg)

Color Packaging

## CERTIFICATIONS



## ACCESSORIES



**ACC415:**  
4-pack Metal Stud  
Fastener Kit ..... pg# 234



**IBA2(-W), IBA2AC(-W),  
IBA3(-W), IBA3AC(-W):**  
Recessed Cable Management and  
Power Storage Accessory Box ... pg# 227



**IBA4-W:**  
Easy Mount Recessed ..... 227



**IBA5-W:**  
Recessed Low Voltage Media Plate  
with Duplex Surge Suppressor... pg# 227



**ESHV models:**  
AV Wall Shelves ..... pg# 212



MODELS

Includes standard hardware (hex or Phillips) for attaching display to mount

Universal Models:

**SUA740P\*** Gloss black

\* Designed for use with displays that are less than 3" (76mm) deep

DISPLAY ADAPTOR



VESA® Pattern

Universal Models: 200 x 100, 200 x 200mm

SPECIFICATIONS



Distance from Wall

1.74"-24.74" (44-628mm)



Tilt | Swivel | Roll

+15/-5° | ±90° | ±5°



Max Load

60lb (27kg)

Product Dimensions (W x H x D)

16.38" x 16.14" x 1.74"-24.74"  
(416 x 410 x 44-628mm)

Mounting Surfaces

Wood stud, concrete and cinder/breeze block

Ship Weight

13.25lb (6.01kg)



Color Packaging

CERTIFICATIONS



ACCESSORIES



**ACC925:**  
Security Fasteners ..... pg# 234



**WSP756:**  
Metal Stud Wall Plate ..... pg# 233



**IBA2(-W), IBA2AC(-W), IBA3(-W), IBA3AC(-W):**  
Recessed Cable Management and Power Storage Accessory Box ... pg# 227



**IBA4-W:**  
Easy Mount Recessed Low Voltage Cable Plate ..... pg# 227



**IBA5-W:**  
Recessed Low Voltage Media Plate with Duplex Surge Suppressor... pg# 227

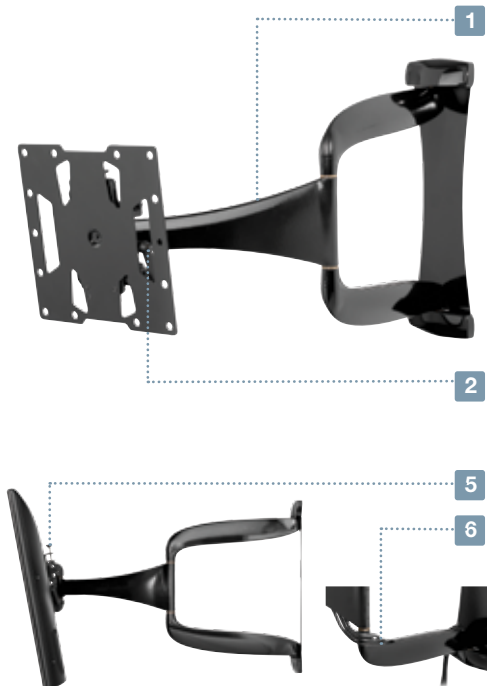


**ESHV models:**  
AV Wall Shelves ..... pg# 212

# Ultra Slim Articulating Designer Series™ Wall Mount

For 32" to 40" Ultra-thin Displays

1. Arm retracts to 1.74" (44mm) and extends up to 24.74" (628mm) from wall
2. One-Touch™ tilt mechanism allows adjustment of +15/-5° without the use of tools
3. Up to ±90° of side-to-side swivel
4. Added ±5° of roll for post-installation display leveling without the use of tools
5. Up to ±0.5" (13mm) of vertical adjustment for post-installation leveling and height adjustment fine-tuning
6. Internal cable management provides clean, professional installation finish



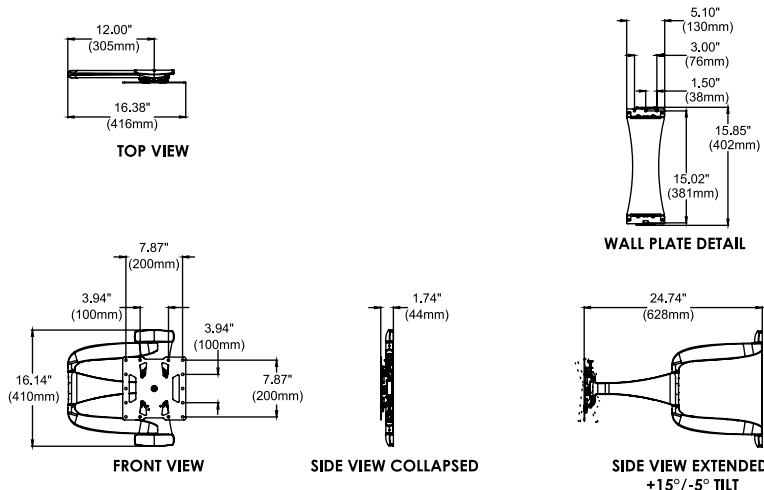
Display Mounting Requirements

1. Designed for use with displays that are less than 3" (76mm) deep.
2. The display must have a flat mounting surface, or mounting holes need to be on the furthest back surface of the display.

Please visit [peerless-av.com/en-us/patents](http://peerless-av.com/en-us/patents) for patent information.

TECHNICAL DRAWINGS

For expanded product information and technical data visit [peerless-av.com](http://peerless-av.com)



To verify mount compatibility with any display or projector model use MountFinder™ at [peerless-av.com](http://peerless-av.com).



CALL: 630-375-5100  
800-865-2112



FAX: 630-820-8537  
800-359-6500



E-MAIL: [info@peerless-av.com](mailto:info@peerless-av.com)



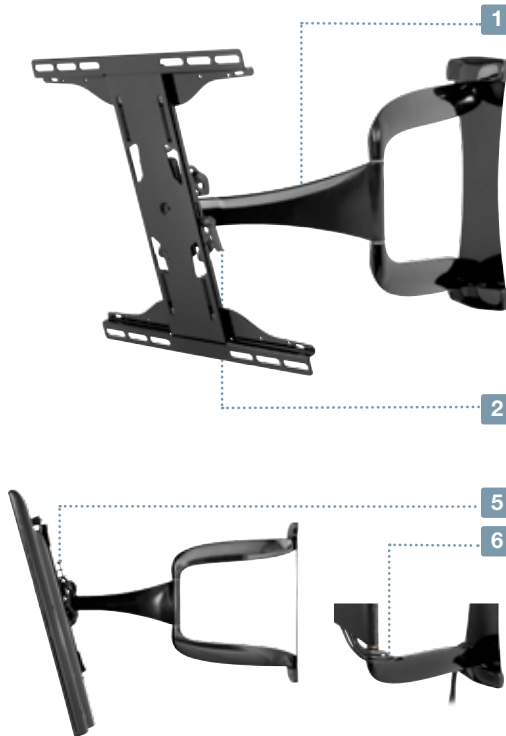
ON-LINE: [peerless-av.com](http://peerless-av.com)



# Universal Ultra Slim Designer Series™ Articulating Wall Mount

For 32" to 50" Ultra-thin Displays

1. Arm retracts to 1.85" (47mm) and extends up to 24.85" (631mm) from wall
2. One-Touch™ tilt mechanism allows adjustment of +15/-5° without the use of tools
3. Up to ±90° of side-to-side swivel
4. Added ±5° of roll for post-installation display leveling without the use of tools
5. Up to ±0.5" (13mm) of vertical adjustment for post-installation leveling and height adjustment fine-tuning
6. Internal cable management provides clean, professional installation finish
7. Landscape or portrait mounting options increases display versatility
8. The I-Shaped Adaptor plate's innovative design helps avoid blocking connections on back of display



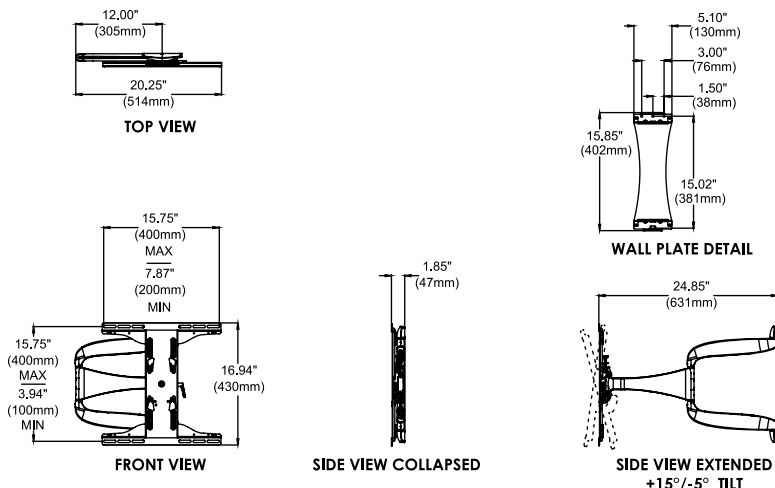
### Display Mounting Requirements

1. Designed for use with displays that are less than 3" (76mm) deep.
2. The display must have a flat mounting surface, or mounting holes need to be on the furthest back surface of the display.

Please visit [peerless-av.com/en-us/patents](http://peerless-av.com/en-us/patents) for patent information.

For expanded product information and technical data visit [peerless-av.com](http://peerless-av.com)

### TECHNICAL DRAWINGS



To verify mount compatibility with any display or projector model use MountFinder™ at [peerless-av.com](http://peerless-av.com).

CALL: 630-375-5100 800-865-2112  
 FAX: 630-820-8537 800-359-6500  
 E-MAIL: info@peerless-av.com  
 ON-LINE: peerless-av.com

### DISPLAY MOUNTS



### MODELS

Includes standard hardware (hex or Phillips) for attaching display to mount

#### Universal Models:

**SUA747PU\*** Gloss black

\* Designed for use with displays that are less than 3" (76mm) deep

### DISPLAY ADAPTOR



**Mounting Pattern (W x H)**

Universal Models: 400 x 400mm  
 (15.75 x 15.75")



**VESA® Pattern**

Universal Models: 200 x 100 to 400 x 400mm

### SPECIFICATIONS



**Distance from Wall**

1.85"-24.85" (47-631mm)



**Tilt | Swivel | Roll**

+15/-5° | ±90° | ±5°



**Max Load**

60lb (27kg)

**Product Dimensions (W x H x D)**

20.25" x 16.94" x 1.85"-24.85"  
 (514 x 430 x 47-631mm)

**Mounting Surfaces**

Wood stud, concrete and cinder/breeze block

**Ship Weight**



13.4lb (6.1kg)

Color Packaging

### CERTIFICATIONS



### ACCESSORIES



**ACC925:**  
 Security Fasteners ..... pg# 234



**WSP756:**  
 Metal Stud Wall Plate..... pg# 233



**IBA2(-W), IBA2AC(-W), IBA3(-W), IBA3AC(-W):**  
 Recessed Cable Management and Power Storage Accessory Box.... pg# 227



**IBA4-W:**  
 Easy Mount Recessed Low Voltage Cable Plate ..... pg# 227



**IBA5-W:**  
 Recessed Low Voltage Media Plate with Duplex Surge Suppressor... pg# 227



**ESHV models:**  
 AV Wall Shelves ..... pg# 212



MODELS

Includes standard hardware (hex or Phillips) for attaching display to mount

Universal Models:

**SUA761PU\*** Gloss black

\* Designed for use with displays that are less than 3" (76mm) deep

DISPLAY ADAPTOR

**Mounting Pattern (W x H)**

Universal Models: 600 x 400mm (23.62" x 15.75")

**VESA® Pattern**

Universal Models: 200 x 100 to 600 x 400mm

SPECIFICATIONS

**Distance from Wall**

1.85"-24.85" (47-631mm)

**Tilt | Swivel | Roll**

+15/-5° | ±90° | ±5°

**Max Load**

80lb (36kg)

**Product Dimensions (W x H x D)**

24.37" x 16.94" x 1.85"-24.85" (619 x 430 x 47-631mm)

**Mounting Surfaces**

Wood stud, concrete and cinder/breeze block

**Ship Weight**

23.0lb (10.4kg)



Color Packaging

CERTIFICATIONS



ACCESSORIES



**ACC925:** Security Fasteners ..... pg# 234



**WSP756:** Metal Stud Wall Plate..... pg# 233



**IBA2(-W), IBA2AC(-W), IBA3(-W), IBA3AC(-W):** Recessed Cable Management and Power Storage Accessory Box.... pg# 227



**IBA4-W:** Easy Mount Recessed Low Voltage Cable Plate..... pg# 227



**IBA5-W:** Recessed Low Voltage Media Plate with Duplex Surge Suppressor... pg# 227

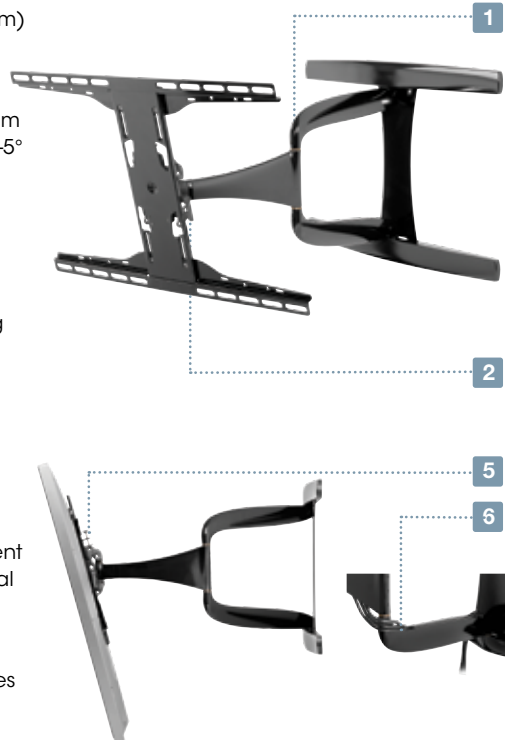


**ESHV models:** AV Wall Shelves ..... pg# 212

# Universal Ultra Slim Designer Series™ Articulating Wall Mount

For 37" to 65" Ultra-thin Displays

1. Arm retracts to 1.85" (47mm) and extends up to 24.85" (631mm) from wall
2. One-Touch™ tilt mechanism allows adjustment of +15/-5° without the use of tools
3. Up to ±90° of side-to-side swivel
4. Added ±5° of roll for post-installation display leveling without the use of tools
5. Up to ±0.5" (13mm) of vertical adjustment for post-installation leveling and height adjustment fine-tuning
6. Internal cable management provides clean, professional installation finish
7. Landscape or portrait mounting options increases display versatility
8. The I-Shaped Adaptor plate's innovative design helps avoid blocking connections on back of display



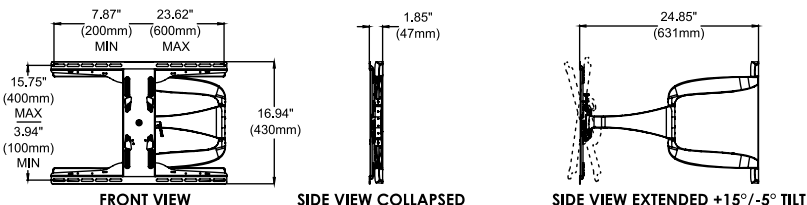
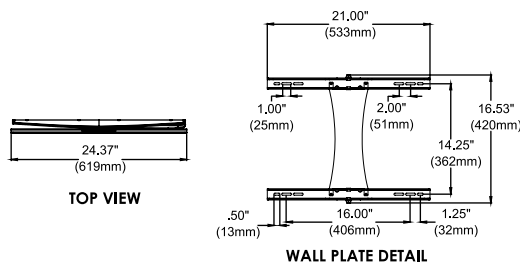
Display Mounting Requirements

1. Designed for use with displays that are less than 3" (76mm) deep.
2. The display must have a flat mounting surface, or mounting holes need to be on the furthest back surface of the display.

Please visit [peerless-av.com/en-us/patents](http://peerless-av.com/en-us/patents) for patent information.

TECHNICAL DRAWINGS

For expanded product information and technical data visit [peerless-av.com](http://peerless-av.com)



To verify mount compatibility with any display or projector model use MountFinder™ at [peerless-av.com](http://peerless-av.com).



CALL: 630-375-5100  
800-865-2112



FAX: 630-820-8537  
800-359-6500



E-MAIL: [info@peerless-av.com](mailto:info@peerless-av.com)

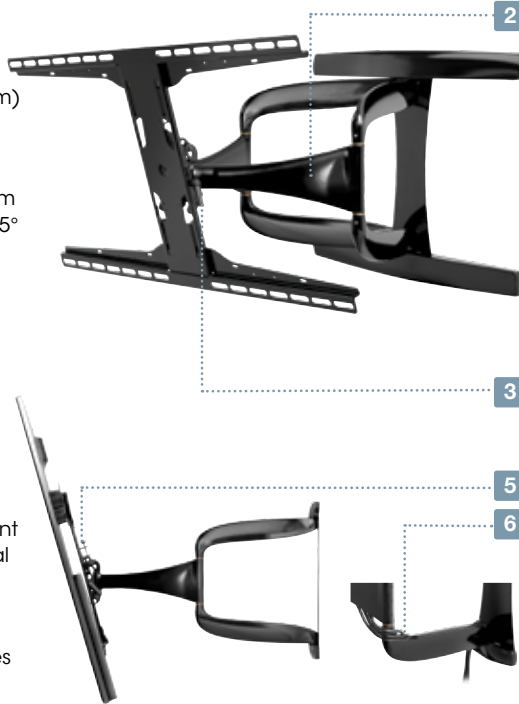


ON-LINE: [peerless-av.com](http://peerless-av.com)

# Universal Ultra Slim Designer Series™ Articulating Wall Mount

For 42" to 90" Ultra-thin Displays

1. Dual-arm design enhances the stability of the articulating motion
2. Arm retracts to 1.85" (47mm) and extends up to 24.85" (631mm) from wall
3. One-Touch™ tilt mechanism allows adjustment of +15/-5° without the use of tools
4. Up to ±72.5° of side-to-side swivel
5. Up to ±0.5" (13mm) of vertical adjustment for post-installation leveling and height adjustment fine-tuning
6. Internal cable management provides clean, professional installation finish
7. Landscape or portrait mounting options increases display versatility
8. The I-Shaped Adaptor plate's innovative design helps avoid blocking connections on back of display



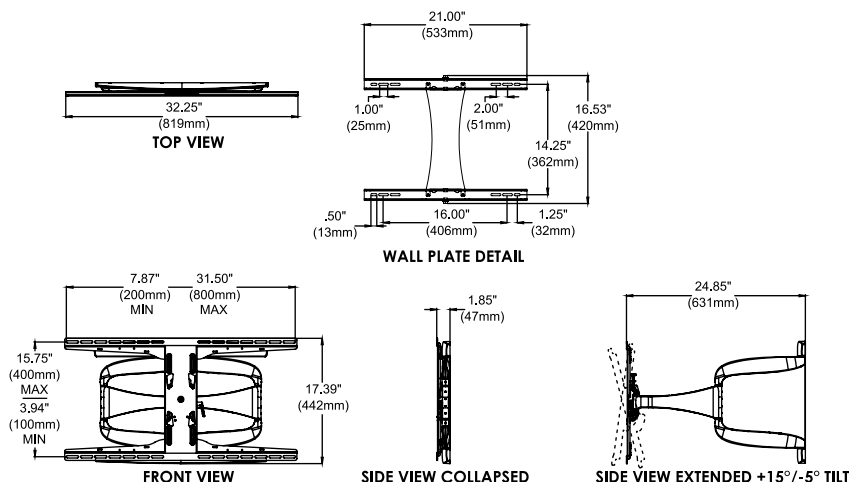
## Display Mounting Requirements

1. Designed for use with displays that are less than 3" (76mm) deep.
2. The display must have a flat mounting surface, or mounting holes need to be on the furthest back surface of the display.

Please visit [peerless-av.com/en-us/patents](http://peerless-av.com/en-us/patents) for patent information.

For expanded product information and technical data visit [peerless-av.com](http://peerless-av.com)

## TECHNICAL DRAWINGS



To verify mount compatibility with any display or projector model use MountFinder™ at [peerless-av.com](http://peerless-av.com).



CALL: 630-375-5100  
800-865-2112



FAX: 630-820-8537  
800-359-6500



E-MAIL:  
[info@peerless-av.com](mailto:info@peerless-av.com)



ON-LINE:  
[peerless-av.com](http://peerless-av.com)

## DISPLAY MOUNTS



## MODELS

### Universal Models:

Includes standard hardware (hex or Phillips) for attaching display to mount  
**SUA771PU\*** Gloss black

\* Designed for use with displays that are less than 3" (76mm) deep

## DISPLAY ADAPTOR



Mounting Pattern (W x H)

Universal Models: 800 x 400mm  
(31.50" x 15.75")



VESA® Pattern

Universal Models: 200 x 100 to 800 x 400mm

## SPECIFICATIONS



Distance from Wall

1.85"-24.85" (47-631mm)



Tilt | Swivel | Roll

+15/-5° | ±72.5° | ±5°



Max Load

125lb (57kg)

Product Dimensions (W x H x D)

32.25" x 17.39" x 1.85"-24.85"  
(819 x 442 x 47-631mm)

Mounting Surfaces

Wood stud, concrete  
and cinder/breeze block

Ship Weight



29.0lb (13.2kg)

Color Packaging

## CERTIFICATIONS



RoHS

## ACCESSORIES



### ACC925:

Security Fasteners ..... pg# 234



### WSP756:

Metal Stud Wall Plate ..... pg# 233



### IBA2(-W), IBA2AC(-W), IBA3(-W), IBA3AC(-W):

Recessed Cable Management and  
Power Storage Accessory Box.... pg# 227



### IBA4-W:

Easy Mount Recessed  
Low Voltage Cable Plate ..... pg# 227



### IBA5-W:

Recessed Low Voltage  
Media Plate with Duplex  
Surge Suppressor ..... pg# 227



### ESHV models:

AV Wall Shelves ..... pg# 212



MODELS

Universal Models:

Includes theft resistant hardware for attaching display to mount  
**HF642-002** Black

DISPLAY ADAPTOR



VESA® Pattern

Universal Models: 200 x 100, 200 x 200 and 400 x 200mm

SPECIFICATIONS



Distance from Wall

0.81" (21mm)



Max Load

75lb (34kg)

Product Dimensions (W x H x D)

18.50" x 9.00" x 0.81"  
 (470 x 229 x 21mm)

Mounting Surfaces

Wood stud, metal stud, solid concrete and cinder/breeze block

Ship Weight

4.5lb (2kg)

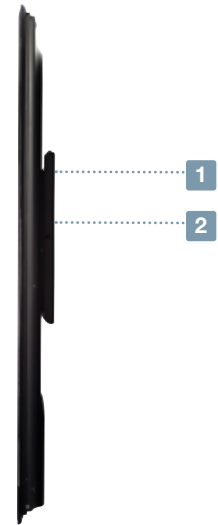
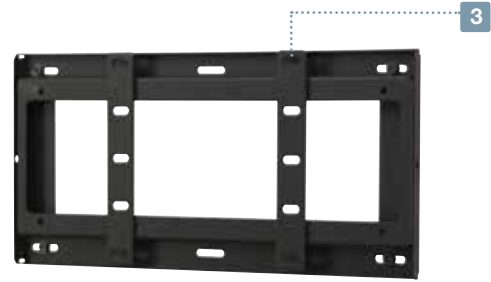
CERTIFICATIONS



# Enclosed Flat Wall Mount

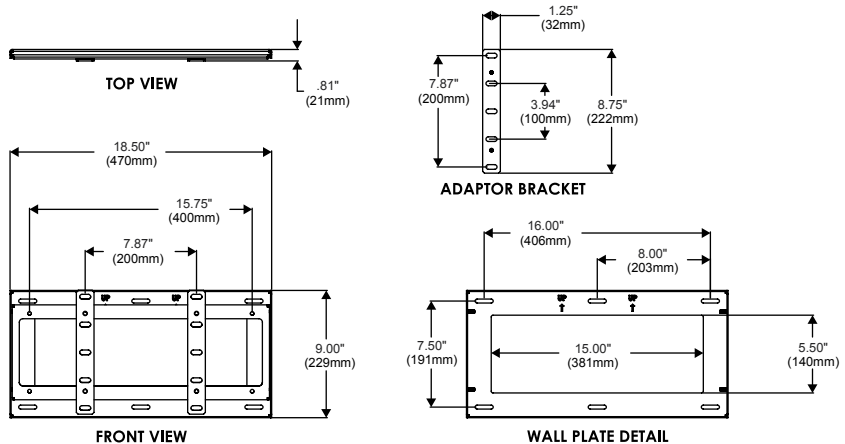
For 32" to 50" Displays

1. Ultra slim design holds displays only 0.81" (21mm) from the wall
2. Clean profile provides the aesthetically pleasing appearance required for hospitality settings
3. Adjustable adaptor plate prevents the mount from blocking critical connection points on the back of the display
4. Hook-and-Hang™ design allows for an easy install
5. Included security hardware deters tampering and theft



TECHNICAL DRAWINGS

For expanded product information and technical data visit [peerless-av.com](http://peerless-av.com)



To verify mount compatibility with any display or projector model use MountFinder™ at [peerless-av.com](http://peerless-av.com).



CALL: 630-375-5100  
 800-865-2112



FAX: 630-820-8537  
 800-359-6500



E-MAIL: [info@peerless-av.com](mailto:info@peerless-av.com)



ON-LINE: [peerless-av.com](http://peerless-av.com)

# Enclosed Flat Wall Mount

For 40" to 55" Displays

1. Ultra slim design holds displays only 0.75" (19mm) from the wall
2. Clean profile provides the aesthetically pleasing appearance required for hospitality settings
3. Open wall plate design allows for total wall access, increasing electrical and cable management options
4. Hook-and-Hang™ versatility design allows for an easy install
5. Included security hardware deters tampering and theft



## MODELS

### Universal Models:

Includes theft resistant hardware for attaching display to mount

**HF642-003** Black

## DISPLAY ADAPTOR



### VESA® Pattern

Universal Models: 400 x 400mm

## SPECIFICATIONS



### Distance from Wall

0.75" (19mm)



### Max Load

100lb (45kg)

### Product Dimensions (W x H x D)

17.63" x 18.39" x 0.75"  
(448 x 467 x 19mm)

### Mounting Surfaces

Wood stud, metal stud, solid concrete and cinder/breeze block

### Ship Weight

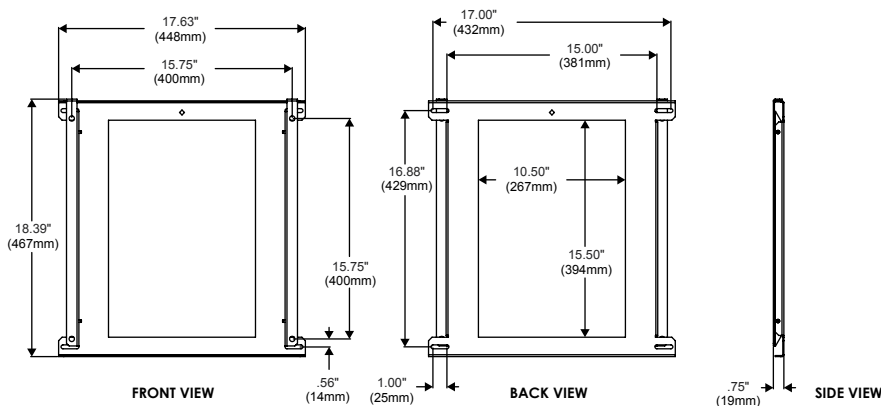
6.5lb (3kg)

## CERTIFICATIONS

**RoHS**  
2002/95/EC

For expanded product information and technical data visit [peerless-av.com](http://peerless-av.com)

## TECHNICAL DRAWINGS



To verify mount compatibility with any display or projector model use MountFinder™ at [peerless-av.com](http://peerless-av.com).



CALL: 630-375-5100  
800-865-2112



FAX: 630-820-8537  
800-359-6500



E-MAIL: [info@peerless-av.com](mailto:info@peerless-av.com)



ON-LINE: [peerless-av.com](http://peerless-av.com)



MODELS

Universal Models:

Includes theft resistant hardware for attaching display to mount  
**HT642-002** Black

DISPLAY ADAPTOR



VESA® Pattern

Universal Models: 200 x 100, 200 x 200 and 400 x 200mm

SPECIFICATIONS



Distance from Wall

2.14" (54mm)



Tilt

+5°/-1°



Max Load

75lb (34kg)

Product Dimensions (W x H x D)

18.50" x 9.00" x 2.14"  
 (470 x 229 x 54mm)

Mounting Surfaces

Wood stud, metal stud, solid concrete and cinder/breeze block

Ship Weight

9.8lb (4.4kg)

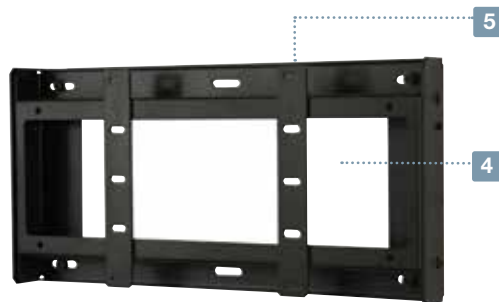
CERTIFICATIONS



# Enclosed Flat/Tilt Wall Mount

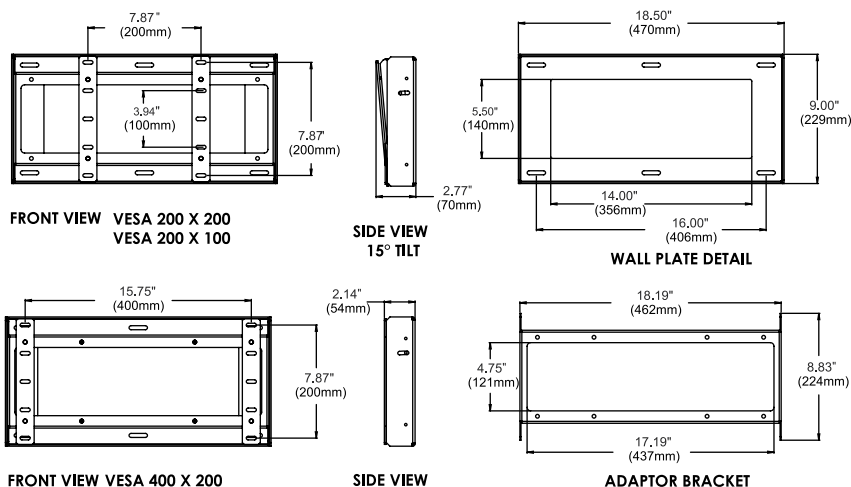
For 32" to 50" Displays

1. Flat and tilt wall mount functionality (+5°/-1°)
2. Hook-and-Hang™ design allows for an easy installation
3. Clean profile design hides display cables and mount within enclosed wall plate for a clutter-free installation
4. Open wall plate design allows for total wall access, increasing electrical and cable management options
5. Adjustable adaptor plate prevents the mount from blocking critical connection points on the back of the display
6. Includes hardware for installation to wood studs, concrete, cinder or breeze block and metal studs



TECHNICAL DRAWINGS

For expanded product information and technical data visit [peerless-av.com](http://peerless-av.com)



To verify mount compatibility with any display or projector model use MountFinder™ at [peerless-av.com](http://peerless-av.com).



CALL: 630-375-5100  
 800-865-2112



FAX: 630-820-8537  
 800-359-6500



E-MAIL: [info@peerless-av.com](mailto:info@peerless-av.com)



ON-LINE: [peerless-av.com](http://peerless-av.com)

# Enclosed Flat/Tilt Wall Mount

For 37" to 55" Displays

1. Flat and tilt wall mount functionality (+5°/-1°)
2. Hook-and-Hang™ design allows for an easy installation
3. Clean profile design hides cables and mount within enclosed wall plate for a clutter-free installation
4. Open wall plate design allows for total wall access, increasing electrical and cable management options
5. Includes hardware for installation to wood studs, concrete, cinder or breeze block and metal studs
6. Includes M8 x 16 screws only for attaching the flat panel display to the mount



## MODELS

### Universal Models:

Includes theft resistant hardware for attaching display to mount

**HT642-003** Black

## DISPLAY ADAPTOR



### VESA® Pattern

Universal Models: 400 x 400mm

## SPECIFICATIONS



### Distance from Wall

2.69" (68mm)



### Tilt

+5°/-1°



### Max Load

100lb (45kg)

### Product Dimensions (W x H x D)

20.20" x 17.00" x 2.69"  
(513 x 432 x 68mm)

### Mounting Surfaces

Wood stud, metal stud, solid concrete and cinder/breeze block

### Ship Weight

16.9lb (7.7kg)

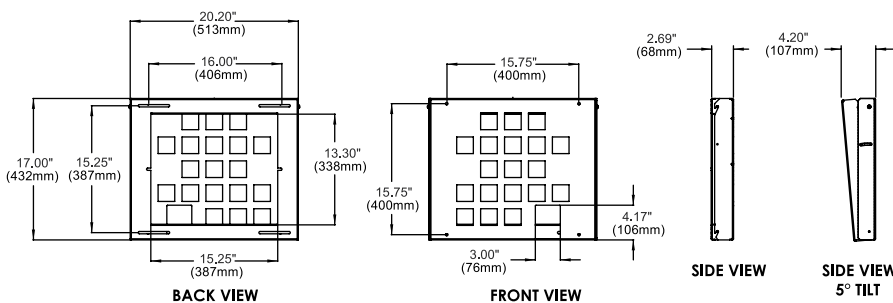
## CERTIFICATIONS



For expanded product information and technical data visit [peerless-av.com](http://peerless-av.com)

## TECHNICAL DRAWINGS

MAXIMUM INSIDE MOUNT AVAILABLE SPACE		
Width	Height	Depth
18.88" (480 mm)	16.75" (425 mm)	1.88" (48 mm)



To verify mount compatibility with any display or projector model use MountFinder™ at [peerless-av.com](http://peerless-av.com).



CALL: 630-375-5100  
800-865-2112



FAX: 630-820-8537  
800-359-6500



E-MAIL: [info@peerless-av.com](mailto:info@peerless-av.com)



ON-LINE: [peerless-av.com](http://peerless-av.com)



MODELS

Universal Models:

Includes theft resistant hardware for attaching display to mount  
**HT642-004** Black

DISPLAY ADAPTOR



VESA® Pattern

Universal Models: 200 x 100 and 200 x 200mm

SPECIFICATIONS

	<b>Distance from Wall</b>	2.13" (54mm)
	<b>Tilt</b>	+5°/-1°
	<b>Max Load</b>	80lb (36.3kg)
<b>Product Dimensions (W x H x D)</b>		18.83" x 9.00" x 2.13" (478 x 229 x 54mm)
<b>Mounting Surfaces</b>		Wood stud, metal stud, solid concrete and cinder/breeze block
<b>Ship Weight</b>		7.2lb (3.3kg)

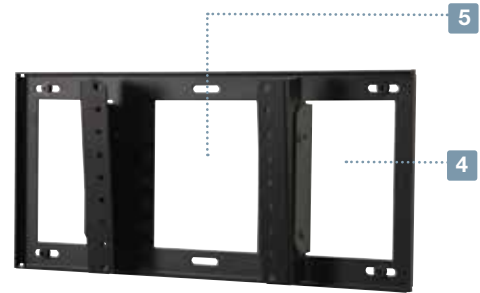
CERTIFICATIONS



# Enclosed Flat/Tilt Wall Mount

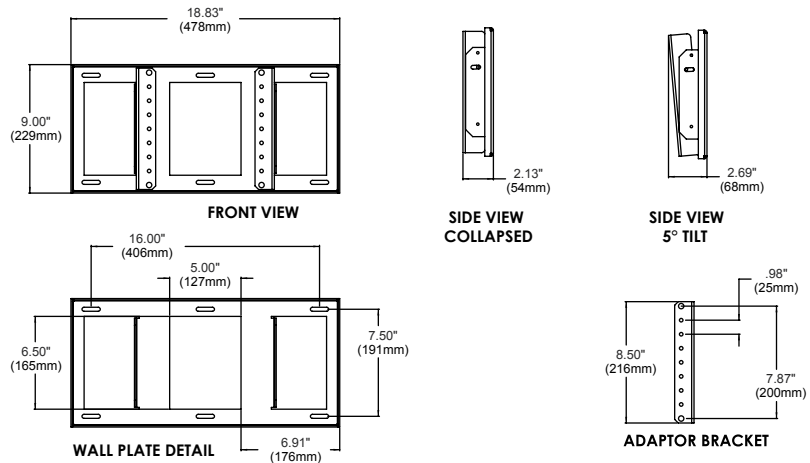
For 32" to 50" Displays

1. Flat and tilt wall mount functionality (+5°/-1°)
2. Hook-and-Hang™ design allows for an easy installation
3. Clean profile design hides display cables and mount within enclosed wall plate for a clutter-free installation
4. Open wall plate design allows for total wall access, increasing electrical and cable management options
5. Conveniently houses a DIRECTV HD receiver (H25NC-500) or other components within the mount
6. Includes hardware for installation to wood studs, concrete, cinder or breeze block and metal studs
7. Includes M8, M6 and M4 mounting screws for VESA® 200 x 100 and 200 x 200mm mounting hole patterns



TECHNICAL DRAWINGS

For expanded product information and technical data visit [peerless-av.com](http://peerless-av.com)



To verify mount compatibility with any display or projector model use MountFinder™ at [peerless-av.com](http://peerless-av.com).



CALL: 630-375-5100  
800-865-2112



FAX: 630-820-8537  
800-359-6500



E-MAIL: [info@peerless-av.com](mailto:info@peerless-av.com)



ON-LINE: [peerless-av.com](http://peerless-av.com)



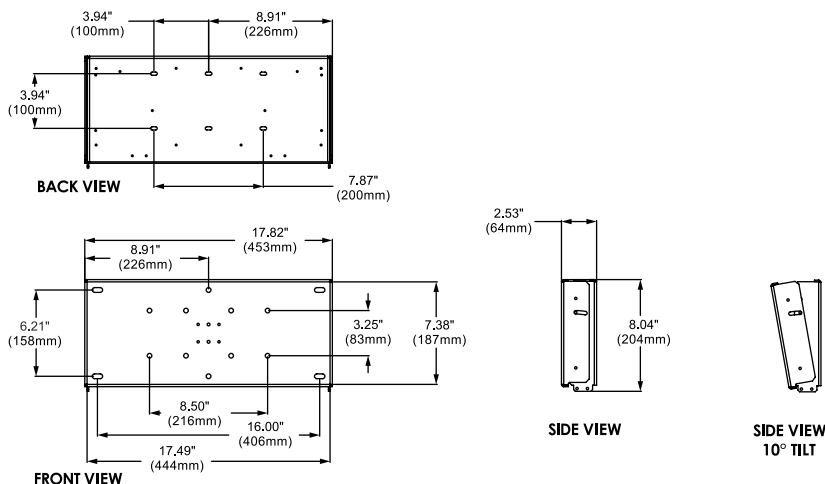
# Enclosed Flat/Tilt Wall Mount with Media Device Storage

For 26" to 32" Displays

1. Clean profile design hides cables and hardware within enclosed wall plate for a clutter-free installation
2. Includes hardware for installation to wood studs, concrete, cinder or breeze block
3. Flat and tilt wall mount functionality
4. Mounts to single stud or 16" stud centers
5. Conveniently houses a D-box, terminal box and power brick within the mount



For expanded product information and technical data visit [peerless-av.com](http://peerless-av.com) **TECHNICAL DRAWINGS**



To verify mount compatibility with any display or projector model use **MountFinder™** at [peerless-av.com](http://peerless-av.com).



CALL: 630-375-5100  
800-865-2112



FAX: 630-820-8537  
800-359-6500



E-MAIL: [info@peerless-av.com](mailto:info@peerless-av.com)



ON-LINE: [peerless-av.com](http://peerless-av.com)

## DISPLAY MOUNTS



### MODELS

#### Universal Models:

Includes theft resistant hardware for attaching display to mount

**LT-320** Black

### DISPLAY ADAPTOR



#### VESA® Pattern

Universal Models: 200 x 100mm

### SPECIFICATIONS



#### Distance from Wall

2.53" (64mm)



#### Tilt

+10°/-2°



#### Max Load

80lb (36.3kg)

#### Product Dimensions (W x H x D)

17.82" x 8.04" x 2.53"  
(453 x 204 x 64mm)

#### Mounting Surfaces

Wood stud, solid concrete  
and cinder/breeze block

#### Ship Weight

11lb (5kg)

### CERTIFICATIONS

**RoHS**  
compliant



MODELS

Universal Models:

Includes theft resistant hardware for attaching display to mount  
**DST660** Black

DISPLAY ADAPTOR

VESA® Pattern

Universal Models: 200 x 100 up to 400 x 400mm

SPECIFICATIONS

	<b>Distance from Wall</b>	2.83" (72mm)
	<b>Tilt</b>	+10°/0°
	<b>Max Load</b>	125lb (57kg)
	<b>Product Dimensions (W x H x D)</b>	18.50" x 17.16" x 2.83" (470 x 436 x 72mm)
	<b>Mounting Surfaces</b>	Wood stud, metal stud, solid concrete and cinder/breeze block
	<b>Ship Weight</b>	15lb (7kg)

CERTIFICATIONS



ACCESSORIES



**ACC-V800X:**  
 Adaptor accessory for 600 x 400 and 800 x 400mm mounting patterns  
 Contact Peerless-AV Customer Care for more information.



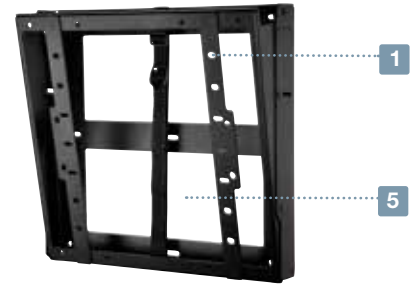
**PLP-V models:**  
 Dedicated Adaptor Plates ..pg# 155, 232



**ACC-V600800:**  
 Adaptor accessory for 600 x 400mm mounting patterns  
 Contact Peerless-AV Customer Care for more information.

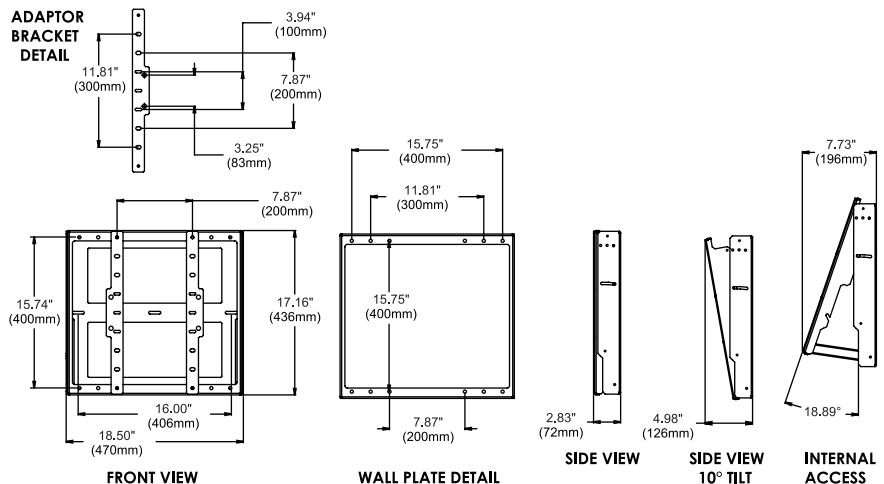
**SMARTMOUNT.** Flat/Tilt Wall Mount with Media Device Storage  
 For 40" to 60" Displays

- Compatible with VESA® mounting hole patterns from 200 x 100 up to 400 x 400mm
- Adaptor plate compatible for VESA® patterns larger than 400 x 400mm
- Display can be mounted in portrait or landscape
- Continuous tilt options from 0°-10° or fixed at 0°, 3.5° and 7°
- Accommodates media players up to 12" x 13" x 2.4"
- The media player can be removed from the bottom if replacement, repair or maintenance is necessary without having to remove the display
- Included security hardware deters tampering and loss



TECHNICAL DRAWINGS

For expanded product information and technical data visit [peerless-av.com](http://peerless-av.com)



To verify mount compatibility with any display or projector model use MountFinder™ at [peerless-av.com](http://peerless-av.com).



CALL: 630-375-5100  
 800-865-2112



FAX: 630-820-8537  
 800-359-6500



E-MAIL: [info@peerless-av.com](mailto:info@peerless-av.com)

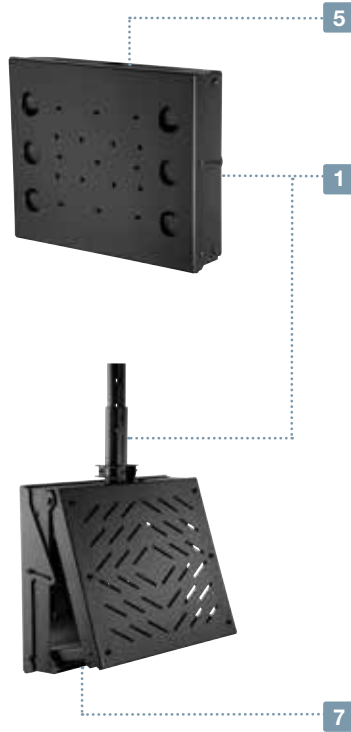


ON-LINE: [peerless-av.com](http://peerless-av.com)

# Flat/Tilt Wall or Ceiling Mount with Media Device Storage

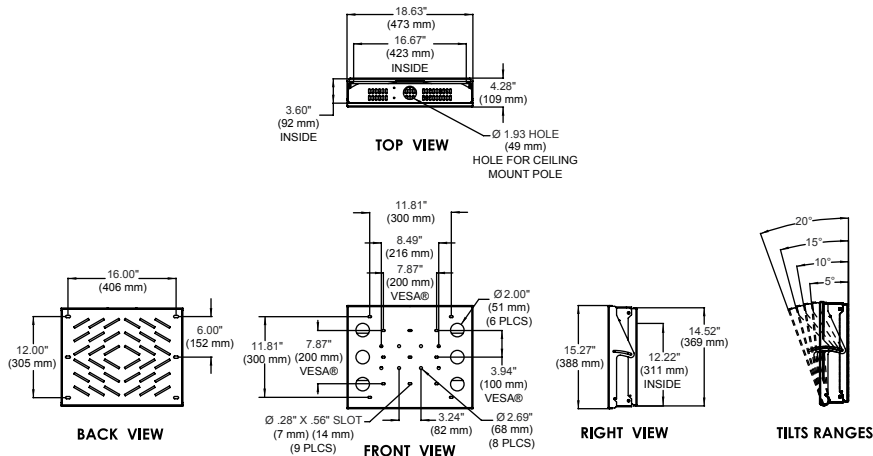
For 26" to 60" Displays

1. Ideal for wall or ceiling mounted applications
2. Universal mounting in either portrait or landscape orientation
3. Built-in swivel up to 360° allows for optimum viewing angle for ceiling mount applications only
4. Flat and tilt wall mount functionality (up to 20° tilt)
5. Available area within mount for housing a computer or media controller device 15" x 9" x 3" (381 x 229 x 76mm)
6. Mount folds open for easy access to the computer or media controller without removing the display
7. Access panel opens to a full 20° for serviceability, replacement, repair or maintenance
8. Clean profile design hides wiring and mount within enclosed wall plate
9. Built in adaptor plate supports VESA® 100 x 100, 200 x 100, 200 x 200 and 300 x 300mm
10. Works with all PLP-style VESA® mounting hole adaptor plates
11. Mounts to single stud or 16" stud centers (wall application)



For expanded product information and technical data visit [peerless-av.com](http://peerless-av.com)

## TECHNICAL DRAWINGS



To verify mount compatibility with any display or projector model use MountFinder™ at [peerless-av.com](http://peerless-av.com).



CALL: 630-375-5100  
800-865-2112



FAX: 630-820-8537  
800-359-6500



E-MAIL: info@peerless-av.com



ON-LINE: peerless-av.com

## DISPLAY MOUNTS



## MODELS

### Universal Models:

Includes theft resistant hardware for attaching display to mount

**DST360**

Black

## DISPLAY ADAPTOR



### VESA® Pattern

**Universal Models:** 100 x 100 up to 300 x 300mm  
 Works with all PLP-style VESA® mounting hole adaptor plates (to be purchased separately)

## SPECIFICATIONS



### Distance from Wall

**Wall application:** 4.28" (109mm)



### Tilt

+20°/-0°



### Max Load

150lb (68kg)

### Product Dimensions (W x H x D)

18.63" x 15.27" x 4.28"  
(473 x 388 x 109mm)

### Mounting Surfaces

**Wall application:** Wood, metal stud, concrete  
**Ceiling application:** Virtually all ceiling surfaces (requires accessory)

### Ship Weight

40.5lb (18.4kg)

## CERTIFICATIONS

**RoHS**  
2002/95/EC

## ACCESSORIES



### ADD Models:

Ceiling Extensions ..... pg# 231



### AEC and EXT Models:

Ceiling Extensions ..... pg# 231



### ACC, CMJ, DCS, DCT Models:

Ceiling Plates ..... pg# 228-230



### PLP-V models:

Dedicated Adaptor Plates .. pg# 155, 232



# Media Device Storage Mounts

## DS334

### Media Player Mounting Bracket

1. Accommodates media players up to 16.75" (425mm) high and up to 4.25" (108mm) deep
2. Designed to quickly attach to a variety of Peerless-AV mounting solutions (PLP adaptor plates, SF/ST630-640 and SF/ST16D/24D models)
3. Flexible housing area expands to fit a variety of media player shapes and sizes
4. Open-air design ensures ample airflow to the media player to prevent overheating

**Max Load:** 75lb (34kg)  
**Ship Weight:** 19.9lb (9kg)  
**Color:** Black



**RoHS**  
2002/95/EC

## DS496 Media Player Mounting Plate

### for Apple Mac Mini Computer

1. Attachment brackets allow for efficient and discrete placement to undersurfaces, walls, mounts and locations where fasteners are used
2. Complete enclosure provides safety and security
3. Slide cover on the back of the unit allows for quick access
4. Ventilation slots allow for airflow to prevent overheating

**Mounting Surface:** Wood stud, concrete, cinder/breeze block and metal stud (metal stud hardware included)

**Max Load:** 10lb (4.55kg)  
**Ship Weight:** 8.8lb (4kg)



**RoHS**  
2002/95/EC

## DSX750 Media Player Storage

### for 32" to 60" Displays

1. VESA® 100 x 100, 200 x 100 and 200 x 200mm compliant
2. Houses media control devices behind the display within an enclosure – storage space up to 10" x 12" x 2.5" (254 x 304 x 64mm)
3. Compatible with Peerless-AV pull-out wall mounts (SP850-UNL, FPS-1000, SA models)
4. Offers direct wall mount option with single-stud attachment
5. Nylon belt strap holds media player securely in place inside mount
6. Prop-open access for service

**Mounting Surface:** Wood stud, concrete and cinder/breeze block

**Max Load:** See Peerless-AV compatible product selection

**Ship Weight:** 15lb (6.8kg)  
**Color:** Black



**RoHS**  
2002/95/EC

To verify mount compatibility with any display or projector model use MountFinder™ at [peerless-av.com](http://peerless-av.com).



CALL: 630-375-5100  
800-865-2112



FAX: 630-820-8537  
800-359-6500



E-MAIL: [info@peerless-av.com](mailto:info@peerless-av.com)



ON-LINE: [peerless-av.com](http://peerless-av.com)

# Flat/Tilt Universal Ceiling Mount with Media Device Storage

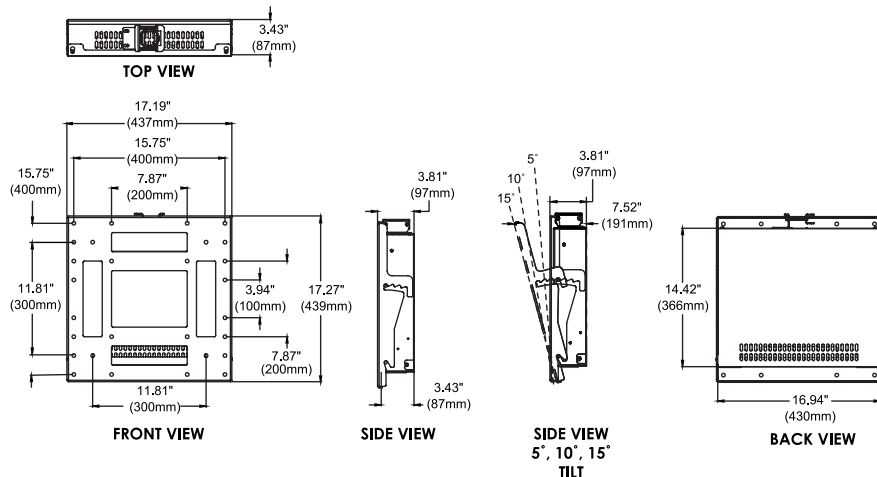
For 40" to 95" Displays

1. Universal mounting in either portrait or landscape orientation
2. Accommodates VESA® mounting patterns of 200 x 200, 300 x 300, 400 x 200, 400 x 300 and 400 x 400mm, accessory available for 600 x 400 and 800 x 400mm patterns
3. Ratchet style tilt from 0° to 15° simplifies the install
4. Available area within mount for housing a computer or media controller device 16.0" x 11.0" x 3.25" (406 x 279 x 83mm)
5. Rear cover removed for easy access to the media controller without having to remove the display
6. Internal side and top mounting locations provided for an electrical box
7. Clean design hides components and cable from view
8. Provided security screws help prevent tampering and theft



For expanded product information and technical data visit [peerless-av.com](http://peerless-av.com)

## TECHNICAL DRAWINGS



To verify mount compatibility with any display or projector model use MountFinder™ at [peerless-av.com](http://peerless-av.com).



CALL: 630-375-5100  
800-865-2112



FAX: 630-820-8537  
800-359-6500



E-MAIL: [info@peerless-av.com](mailto:info@peerless-av.com)



ON-LINE: [peerless-av.com](http://peerless-av.com)



## MODELS

### Universal Models:

Includes theft resistant hardware for attaching display to mount  
**DST995** Black

## DISPLAY ADAPTOR



### VESA® Pattern

Universal Models: 200 x 200, 300 x 300, 400 x 200, 400 x 300 and 400 x 400mm

## SPECIFICATIONS



### Tilt

0°-15°



### Max Load

225lb (102kg)

### Product Dimensions (W x H x D)

17.19" x 17.27" x 3.81"  
(437 x 439 x 97mm)

### Mounting Surfaces

Virtually all ceiling surfaces (requires accessory)

### Ship Weight

20.5lb (9.3kg)

## CERTIFICATIONS

**RoHS**  
2002/95/EC

## ACCESSORIES



**ADD Models:**  
Ceiling Extensions ..... pg# 231



**AEC and EXT Models:**  
Ceiling Extensions ..... pg# 231



**ACC-V800X:**  
Adaptor accessory for 600 x 400 and 800 x 400mm mounting patterns



**ACC-V900X:**  
Adaptor accessory for 800 x 400 and 900 x 600mm mounting patterns

Contact Peerless-AV Customer Care for more information.



MODELS




Dedicated Models:

**PLB-1** Black

DISPLAY ADAPTOR

Dedicated Models: 75 x 100mm  
Additional adaptor can be purchased separately.








SPECIFICATIONS

	<b>Distance from Ceiling</b>	Varies depending on ceiling plate and extension column used.
	<b>Tilt   Swivel</b>	+20°/-5°   360°
	<b>Max Load</b>	300lb (136kg) 150lb (68.2kg) per display
	<b>Product Dimensions (W x H x D)</b>	5.60" x 5.22" x 8.82" (142 x 133 x 224mm)
	<b>Mounting Surfaces</b>	Virtually all ceiling structures (Requires accessory)
	<b>Ship Weight</b>	6.0lb (2.7kg)

CERTIFICATIONS



ACCESSORIES

-  **DCS, DCT Models:**  
Ceiling Plates ..... pg# 229
-  **ADD Models:**  
Ceiling Extensions ..... pg# 231
-  **AEC and EXT Models\*:**  
Ceiling Extensions ..... pg# 231  
\* Excluding EXT002, EXT006 and AEC609
-  **PLP-UNL:**  
Universal I-Shaped Adaptor  
for 32" to 90" Displays ..... pg# 232
-  **PLP-UNM:**  
Universal I-Shaped Adaptor  
for 22" to 50" Displays ..... pg# 155, 232
-  **ACC450:**  
Adaptor Bracket  
for 22" to 40" Displays ..... pg# 232
-  **ACC918:**  
Security Fasteners ..... pg# 234

# Back-to-Back Ceiling Mount

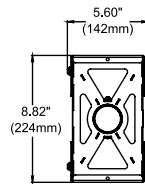
For up to 90" Displays

1. Entire unit swivels 360° with swivel-stop feature
2. +20°/-5° adjustable tilt for each display
3. Mount display in landscape or portrait orientation
4. Requires extension column and ceiling plate, sold separately
5. Includes VESA® 100 x 100mm mounting pattern or can be equipped with universal or display specific adaptors (additional adaptors & display mounting hardware sold separately)
6. Simple hook-on display installation

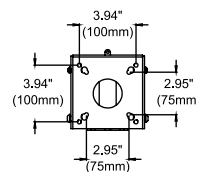


TECHNICAL DRAWINGS

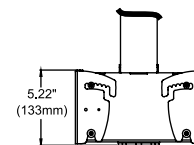
For expanded product information and technical data visit [peerless-av.com](http://peerless-av.com)



TOP VIEW



FRONT VIEW



SIDE VIEW  
20° TILT

To verify mount compatibility with any display or projector model use MountFinder™ at [peerless-av.com](http://peerless-av.com).



CALL: 630-375-5100  
800-865-2112



FAX: 630-820-8537  
800-359-6500



E-MAIL: [info@peerless-av.com](mailto:info@peerless-av.com)



ON-LINE: [peerless-av.com](http://peerless-av.com)

# Back-to-Back Ceiling Mount with Media Device Storage

For 40" to 65" Displays

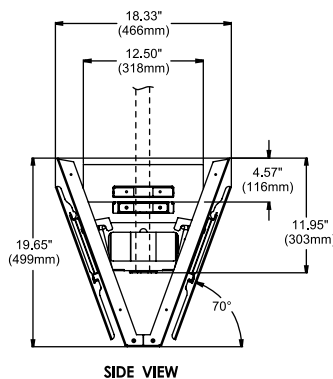
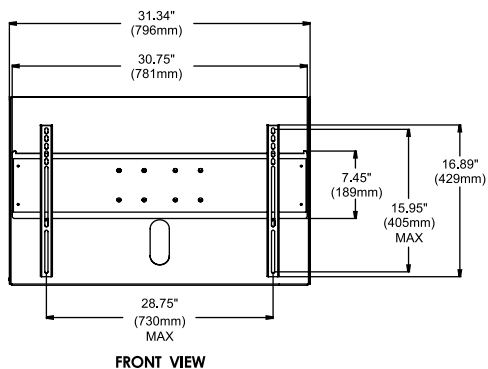
1. Holds two displays back-to-back at a 20° fixed tilt
2. Removable side panels for easy maintenance
3. Two component shelves provide storage for standard size computers
4. Cords are routed through the column for a clean appearance
5. Comes standard with Peerless-AV® universal mounting brackets
6. Security hardware to deter tampering and loss



Please visit [peerless-av.com/en-us/patents](http://peerless-av.com/en-us/patents) for patent information.

For expanded product information and technical data visit [peerless-av.com](http://peerless-av.com)

## TECHNICAL DRAWINGS



To verify mount compatibility with any display or projector model use MountFinder™ at [peerless-av.com](http://peerless-av.com).



CALL: 630-375-5100  
800-865-2112



FAX: 630-820-8537  
800-359-6500



E-MAIL:  
[info@peerless-av.com](mailto:info@peerless-av.com)



ON-LINE:  
[peerless-av.com](http://peerless-av.com)



## MODELS

### Universal Models:

Includes theft resistant hardware for attaching display to mount

**DST965** Black

## DISPLAY ADAPTOR



Mounting Pattern (W x H)

Universal Models: 730 x 405mm  
(28.75" x 15.95")



VESA® Pattern

Universal Models: 200 x 200 up to 600 x 400mm

## SPECIFICATIONS



Tilt

20° fixed



Max Load

300lb (136kg)  
150lb (68.2kg) per display

Product Dimensions (W x H x D)

31.34" x 19.65" x 18.33"  
(796 x 499 x 466mm)

Mounting Surfaces

Virtually all ceiling surfaces  
(requires accessory)

Ship Weight

85lb (39kg)

## CERTIFICATIONS

**RoHS**  
2002/95/EC

## ACCESSORIES



### ADD Models:

Ceiling Extensions ..... pg# 231



### AEC and EXT Models:

Ceiling Extensions ..... pg# 231



### DCS, DCT Models:

Ceiling Plates ..... pg# 228-230



MODELS

Universal Models:

Includes theft resistant hardware for attaching display to mount  
**DST970X2** Black

DISPLAY ADAPTOR



Mounting Pattern (W x H)

Universal Models: 600 x 400mm  
 (23.62" x 15.75")

SPECIFICATIONS



Tilt

0°-20°



Max Load

250lb (113kg)  
 125lb (57kg) per display

Product Dimensions (W x H x D)

68.38" x 16.75" x 4.42"-7.88"  
 (1737 x 425 x 112-200mm)

Mounting Surfaces

Virtually all ceiling surfaces  
 (requires accessory)

Ship Weight

62lb (28.1kg)

CERTIFICATIONS



ACCESSORIES



**ADD Models:**  
 Ceiling Extensions ..... pg# 231



**AEC and EXT Models:**  
 Ceiling Extensions ..... pg# 231

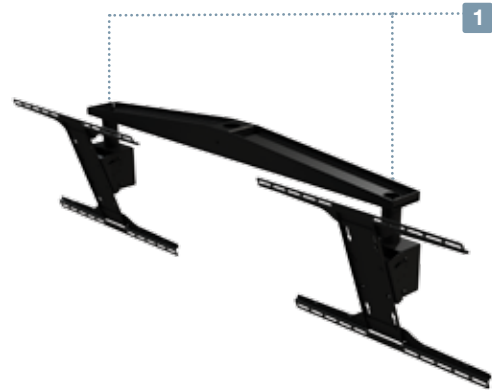


**ACC, CMJ, DCS, DCT Models:**  
 Ceiling Plates ..... pg# 228-230

# Dual-Display Ceiling Mount

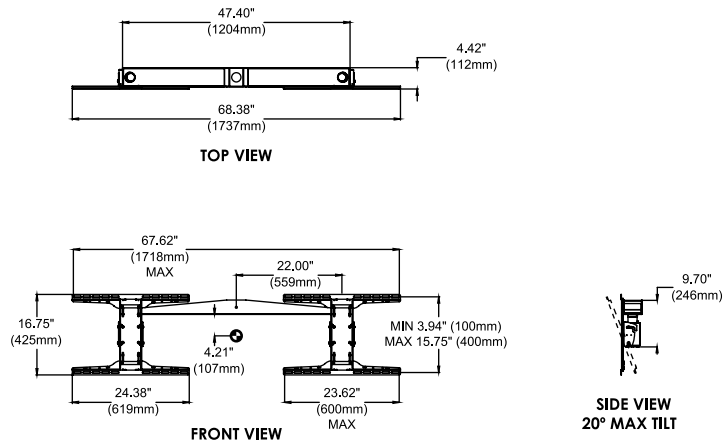
For 40" to 70" Displays

1. Independent swivel and tilt allows each display to be set at the perfect viewing angle
2. Included universal adaptor plate will accommodate most displays in the 40"-70" range
3. Compatible with an extensive line of Peerless-AV fixed length and adjustable extension columns
4. Simple hook on display attachment makes set-up quick and easy



TECHNICAL DRAWINGS

For expanded product information and technical data visit [peerless-av.com](http://peerless-av.com)



To verify mount compatibility with any display or projector model use MountFinder™ at [peerless-av.com](http://peerless-av.com).



CALL: 630-375-5100  
 800-865-2112



FAX: 630-820-8537  
 800-359-6500



E-MAIL: [info@peerless-av.com](mailto:info@peerless-av.com)



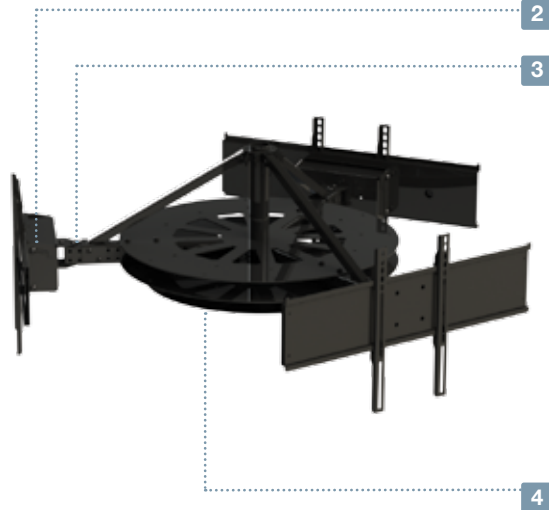
ON-LINE: [peerless-av.com](http://peerless-av.com)



# Multi-Display Ceiling Mount with Three Telescoping Arms

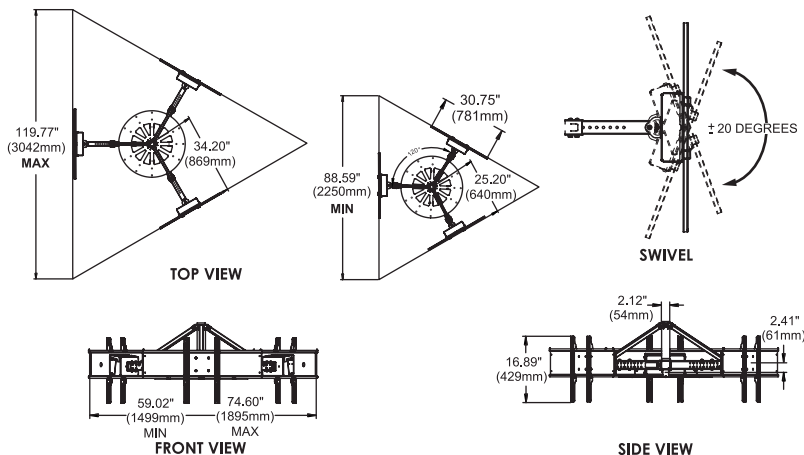
For 37" to 80" Displays

1. Universal mount fits displays with mounting patterns up to 730 x 405mm (28.75"W x 15.95"H)
2. 0° to 20° of tilt and 360° of swivel at time of installation
3. Arms telescope to allow for the desired display spacing
4. Bottom cover provides aesthetically pleasing cable management



For expanded product information and technical data visit [peerless-av.com](http://peerless-av.com)

## TECHNICAL DRAWINGS



To verify mount compatibility with any display or projector model use MountFinder™ at [peerless-av.com](http://peerless-av.com).



CALL: 630-375-5100  
800-865-2112



FAX: 630-820-8537  
800-359-6500



E-MAIL: [info@peerless-av.com](mailto:info@peerless-av.com)



ON-LINE: [peerless-av.com](http://peerless-av.com)

## DISPLAY MOUNTS



## MODELS

### Universal Models:

Includes theft resistant hardware for attaching display to mount  
**DST980-3** Black

## DISPLAY ADAPTOR



**Mounting Pattern (W x H)**

Universal Models: 730 x 405mm  
(28.75" x 15.95")

## SPECIFICATIONS



**Tilt | Swivel**

0°-20° | 360°



**Max Load**

495lb (225kg)  
165lb (75kg) per display

**Product Dimensions (W x H x D)**

59.00" x 21.80" x 59.00"  
(1499 x 554 x 1499mm)

**Mounting Surfaces**

Virtually all ceiling surfaces  
(requires accessory)

**Ship Weight**

140lb (63.6kg)

## CERTIFICATIONS

**RoHS**

## ACCESSORIES



### ADD Models:

Ceiling Extensions ..... pg# 231



### DCS, DCT Models:

Ceiling Plates ..... pg# 228-230



MODELS

Universal Models:

Includes theft resistant hardware for attaching display to mount  
**DST975-4** Black

DISPLAY ADAPTOR

Mounting Pattern (W x H)

Universal Models: 730 x 405mm  
 (28.75" x 15.95")

SPECIFICATIONS

Tilt  
 0°-20°

Max Load  
 500lb (227kg)  
 125lb (57kg) per display

Product Dimensions (W x H x D)  
 51.20" x 21.80" x 51.20"  
 (1300 x 554 x 1300mm)

Mounting Surfaces  
 Virtually all ceiling surfaces  
 (requires accessory)

Ship Weight  
 164lb (74.5kg)

CERTIFICATIONS



WINNER  
**DIGI  
 AWARDS**  
 2015  
 Digital Signage  
 Magazine



ACCESSORIES



**ADD Models:**  
 Ceiling Extensions ..... pg# 231

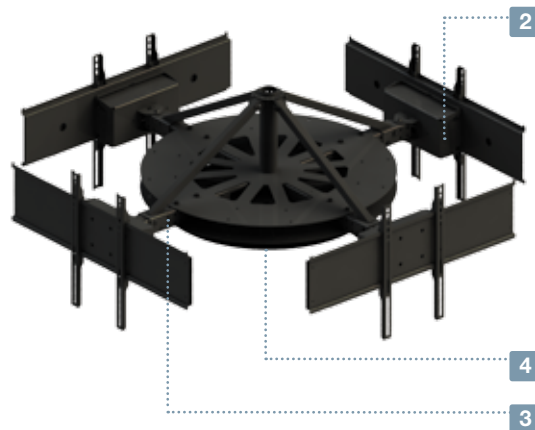


**DCS, DCT Models:**  
 Ceiling Plates ..... pg# 228-230

# Multi-Display Ceiling Mount with Four Telescoping Arms

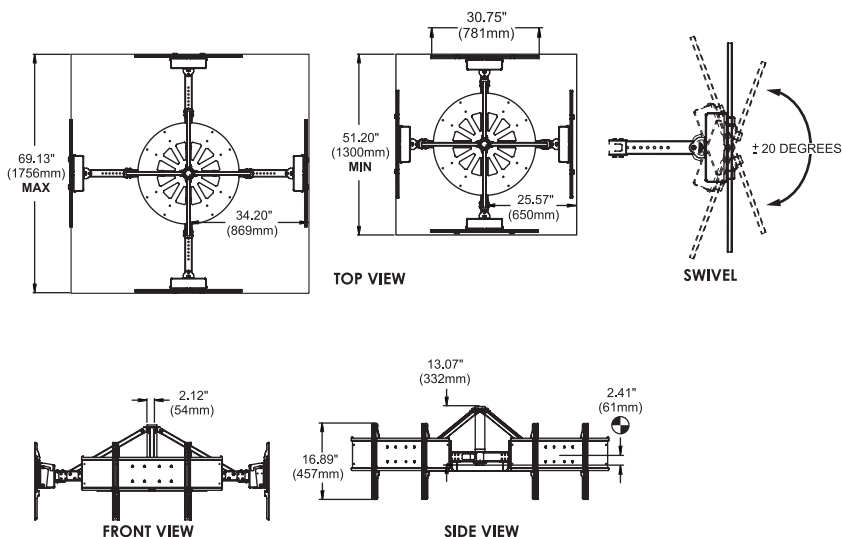
For 37" to 75" Displays

1. Universal mount fits displays with mounting patterns up to 730 x 405mm (28.75"W x 15.95"H)
2. 0° to 20° of tilt and 360° of swivel at time of installation
3. Arms telescope to allow for the desired display spacing
4. Bottom cover provides aesthetically pleasing cable management



TECHNICAL DRAWINGS

For expanded product information and technical data visit [peerless-av.com](http://peerless-av.com)



To verify mount compatibility with any display or projector model use MountFinder™ at [peerless-av.com](http://peerless-av.com).



CALL: 630-375-5100  
 800-865-2112



FAX: 630-820-8537  
 800-359-6500



E-MAIL: [info@peerless-av.com](mailto:info@peerless-av.com)

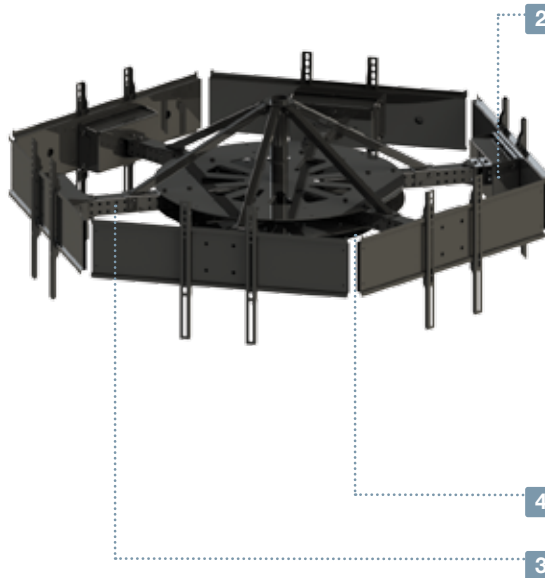


ON-LINE: [peerless-av.com](http://peerless-av.com)

# Multi-Display Ceiling Mount with Six Telescoping Arms

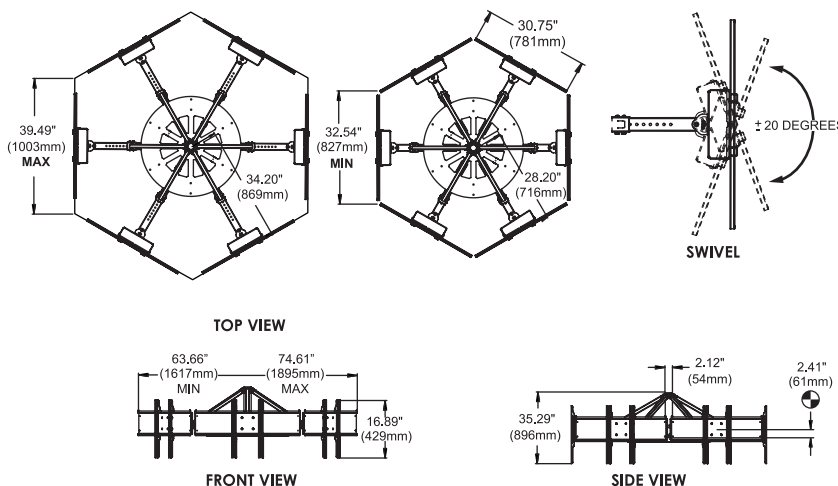
For 37" to 42" Displays

1. Universal mount fits displays with mounting patterns up to 730 x 405mm (28.75"W x 15.95"H)
2. 0° to 20° of tilt and 360° of swivel at time of installation
3. Arms telescope to allow for the desired display spacing
4. Bottom cover provides aesthetically pleasing cable management



For expanded product information and technical data visit [peerless-av.com](http://peerless-av.com)

## TECHNICAL DRAWINGS



To verify mount compatibility with any display or projector model use MountFinder™ at [peerless-av.com](http://peerless-av.com).



CALL: 630-375-5100  
800-865-2112



FAX: 630-820-8537  
800-359-6500



E-MAIL: [info@peerless-av.com](mailto:info@peerless-av.com)



ON-LINE: [peerless-av.com](http://peerless-av.com)

## DISPLAY MOUNTS



## MODELS

### Universal Models:

Includes theft resistant hardware for attaching display to mount  
**DST942-6** Black

## DISPLAY ADAPTOR



Mounting Pattern (W x H)

Universal Models: 730 x 405mm  
(28.75" x 15.95")

## SPECIFICATIONS



Tilt

0°-20°



Max Load

480lb (218kg)  
80lb (36kg) per display

Product Dimensions (W x H x D)

56.40" x 21.80" x 56.40"  
(1433 x 554 x 1433mm)

Mounting Surfaces

Virtually all ceiling surfaces  
(requires accessory)

Ship Weight

215lb (97.7kg)

## CERTIFICATIONS

**RoHS**  
2002/95/EC

## ACCESSORIES



### ADD Models:

Ceiling Extensions ..... pg# 231



### DCS, DCT Models:

Ceiling Plates ..... pg# 228-230



MODELS

Dedicated Models:

Display adaptor purchased separately\*

<b>MDJ700</b>	In-line Display	Black
<b>MDJ710</b>	In-line Display	Black
<b>MDJ720</b>	In-line Display	Black
<b>MDJ701</b>	Curvilinear Display	Black
<b>MDJ711</b>	Curvilinear Display	Black
<b>MDJ721</b>	Curvilinear Display	Black
<b>MDJ760</b>	Circular Display	Black

\*Dedicated adaptor plates come in flat black and include security fasteners

DISPLAY ADAPTOR

**Dedicated Models:** Requires display-specific adaptor to be purchased separately.

SPECIFICATIONS

	<b>Distance from Ceiling</b>	1'-12" (305-3658mm) Varies depending on ceiling plate and extension column used
	<b>Tilt   Swivel</b>	+20°   360°
	<b>Max Load</b>	600-1200lb (272-545kg) Depending on ceiling attachments used
	<b>Product Dimensions (Pipe Length)</b>	
	MDJ700/701:	120" (3048mm)
	MDJ710/711:	180" (4572mm)
	MDJ720/721:	240" (6096mm)
	MDJ760:	48" (1220mm)

CERTIFICATIONS



ACCESSORIES



- PLCM-4:** Stackable Tilt Box for up to 75" Displays ..... pg# 155
- PLP-UNM:** Universal I-Shaped Adaptor for 22" to 50" Displays ...pg# 155, 232
- PLP-UNL:** Universal I-Shaped Adaptor for 32" to 90" Displays ...pg# 155, 232
- PLP-V models:** Dedicated Adaptor Plates ...pg# 155, 232

See chart for components needed to complete installation ..... pg# 152

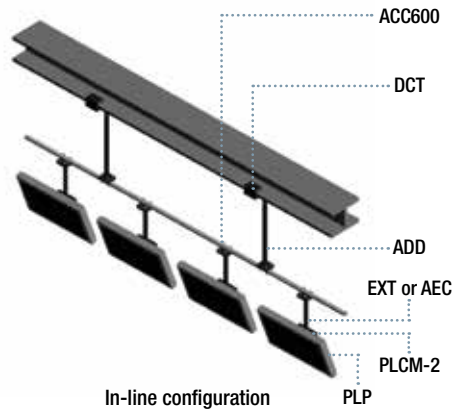
# Multi-Display Ceiling System

For 32" to 50" Displays

1. Multi-Display ceiling mount for 3 to 4 displays
2. Three different configurations: in-line, curvilinear and circular
3. Choose desired ceiling drop length and drop length of equipment from pipe
4. 0° to 20° adjustable tilt
5. 360° swivel for each display



Circular configuration



In-line configuration



Curvilinear configuration

To verify mount compatibility with any display or projector model use MountFinder™ at peerless-av.com.



CALL: 630-375-5100  
800-865-2112



FAX: 630-820-8537  
800-359-6500



E-MAIL: info@peerless-av.com



ON-LINE: peerless-av.com

# Required Components

## DISPLAY MOUNTS

### CIRCULAR

\* Columns over 9' will be covered in vinyl

Display Size	Number of displays	MDJ model*	PLCM-2 display mount	PLP display adaptor plate (see MountFinder™)	EXT or AEC extension column (connects PLCM-2 to ACC600)	ACC600 interface bracket to MDJ mount	ADD* support extension column	DCT ceiling decoupler
32"-37"	3	MDJ760	3	3	3	3	1	1
40"-42"	3	MDJ760	3	3	3	3	1	1
50"	3	MDJ760	3	3	3	3	1	1
32"-37"	4	MDJ760	4	4	4	4	1	1
40"-42"	4	MDJ760	4	4	4	4	1	1

### IN-LINE

Display Size	Number of displays	MDJ model	PLCM-2 display mount	PLP display adaptor plate (see MountFinder™)	EXT or AEC extension column (connects PLCM-2 to ACC600)	ACC600 interface bracket to MDJ mount	ADD support extension column	DCT ceiling decoupler
32"-37"	3	MDJ700	3	3	3	5	2	2
40"-42"	3	MDJ700	3	3	3	5	2	2
50"	3	MDJ710	3	3	3	5	2	2
32"-37"	4	MDJ700	4	4	4	6	2	2
40"-42"	4	MDJ710	4	4	4	6	2	2
50"	4	MDJ720	4	4	4	7	3	3

### CURVILINEAR

Display Size	Number of displays	MDJ model	PLCM-2 display mount	PLP display adaptor plate (see MountFinder™)	EXT or AEC extension column (connects PLCM-2 to ACC600)	ACC600 interface bracket to MDJ mount	ADD support extension column	DCT ceiling decoupler
32"-37"	3	MDJ701	3	3	3	5	2	2
40"-42"	3	MDJ701	3	3	3	5	2	2
50"	3	MDJ711	3	3	3	5	2	2
32"-37"	4	MDJ701	4	4	4	6	2	2
40"-42"	4	MDJ711	4	4	4	6	2	2
50"	4	MDJ721	4	4	4	7	3	3

### MULTI-DISPLAY SYSTEM COMPONENTS

Multi-Display Mount	Model	Length	Ring Diameter	Pipe Diameter	Load Capacity	Ship Weight
	MDJ700 (in-line)	120" (3048mm)	NA	1.90" OD	1000lb (453kg)	31lb (14.1kg)
	MDJ710 (in-line)	180" (4572mm)	NA	1.90" OD	1200lb (544kg)	45lb (20.4kg)
	MDJ720 (in-line)	240" (6096mm)	NA	1.90" OD	1500lb (680kg)	62lb (28.1kg)
	MDJ701 (curved)	120" (3048mm)	NA	1.90" OD	1000lb (453kg)	27lb (12.2kg)
	MDJ711 (curved)	180" (4572mm)	NA	1.90" OD	1200lb (544kg)	35lb (15.9kg)
	MDJ721 (curved)	240" (6096mm)	NA	1.90" OD	1500lb (680kg)	56lb (25.4kg)
MDJ760 (circular)	NA	48" (1219mm)	1.90" OD	600lb (272kg)	45lb (20.4kg)	

Display Mount	Model	Ship Weight
	<b>PLCM-2</b> PLP display adaptor required. See MountFinder™ to verify display compatibility. See page 155 for details	4.6lb (2.1kg)

Multi-Display Interface Bracket	Model	Description	Load Capacity	Ship Weight
	<b>ACC600</b> See page 229 for details	Interfaces between flat panel mount to MDJ mount, and MDJ mount to ceiling support structure.	1200lb (544kg)	3.8lb (1.7kg)

Fixed or Adjustable Extension Columns for Attaching Mount	Model	Drop Length*
	<b>EXT/AEC models</b> See page 231 for details	6"-12' (152-3657mm)

\* Fixed length columns provide 6" to 10" (152.4-3048mm) drop lengths. Adjustable length columns provide 6" to 12" (152-3657mm) drop lengths.

Fixed or Adjustable Extension Columns for Ceiling Decouplers	Model	Drop Length*
	<b>ADD models</b> See page 231 for details	1'-12' (304-3657mm)

\* Fixed length columns provide 1' to 10' (304-3048mm) drop lengths. Adjustable length columns provide 1' to 12' (304-3657mm) drop lengths.

Ceiling Decoupler	Model	Ceiling type	Load Capacity	Ship Weight
	<b>DCS400</b>	For structural or finished ceiling	1200lb (544kg)	7.8lb (3.5kg)
	<b>DCT300</b>	For truss ceiling	1200lb (544kg)	4.6lb (2.1kg)
	<b>DCT500</b>	For I-Beams	600lb (272kg)	9.4lb (4.3kg)
	<b>DCT600</b>	For I-Beams	600lb (272kg)	13.1lb (6kg)
	<b>DCT800</b>	For I-Beams	600lb (272kg)	14lb (6.4kg)
	<b>DCT900</b>	For I-Beams	600lb (272kg)	9lb (4.1kg)

See page 231 for details

To verify mount compatibility with any display or projector model use MountFinder™ at peerless-av.com.



CALL: 630-375-5100  
800-865-2112



FAX: 630-820-8537  
800-359-6500



E-MAIL:  
info@peerless-av.com



ON-LINE:  
peerless-av.com



MODELS

**Universal Models:** (See chart for display size compatibility)

Includes theft resistant hardware for attaching display to mount

- PLCM-UNL-CP** Black
- PLCM-UNL-CP-AB** Antimicrobial\* black
- PLCM-UNL-CP-AW** Antimicrobial\* white
- PLCM-UNL** Black
- PLCM-2-UNL** Black

**Dedicated Models:** (See chart for display size compatibility)

- PLCM-1** Black
- PLCM-1CP** Black

DISPLAY ADAPTOR



**Mounting Pattern (W x H)**

**Universal Models:** 600 x 400mm  
(23.62" x 15.75")



**VESA® Pattern**

**Universal Models:** Up to 600 x 400mm  
**PLCM-1(CP):** 100 x 100mm  
Additional adaptor can be purchased separately.

SPECIFICATIONS



**Distance from Ceiling**

See chart



**Tilt | Swivel**

+20°/-5° | 360°



**Max Load**

See chart

**Product Dimensions (W x H x D)**

See chart

**Mounting Surfaces**

Wood joist, concrete and various other applications (May require accessory)

**Ship Weight**

See chart

CERTIFICATIONS



PLCM-UNL-CP-AB/AW:



ACCESSORIES



**ACC, CMJ, DCS, DCT Models:**  
Ceiling Plates ..... pg# 228-230



**PLP-V models:**  
Dedicated Adaptor Plates ..pg# 155, 232

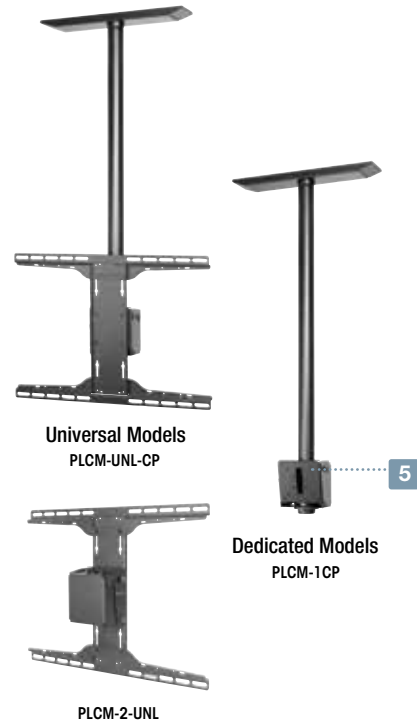


**ACC450:**  
Adaptor Bracket for 22" to 40" Displays ..... pg# 232

See pg# 155 for product accessories and compatible extension columns

**SMARTMOUNT. Ceiling Mount**  
For up to 90" Displays

1. -5° to 20° adjustable tilt and 360° swivel
2. Uses standard 1.5" (38mm) NPT pipe
3. Mount display in landscape or portrait orientation
4. Simple hook-on display installation
5. PLCM-1 (CP) includes VESA® 100 x 100mm mounting pattern or can be equipped with display specific adaptor (additional adaptor & display mounting hardware sold separately)
6. Agion® antimicrobial\* finish assists in controlling the spread of infections with PLCM-UNL-CP-AB/AW models

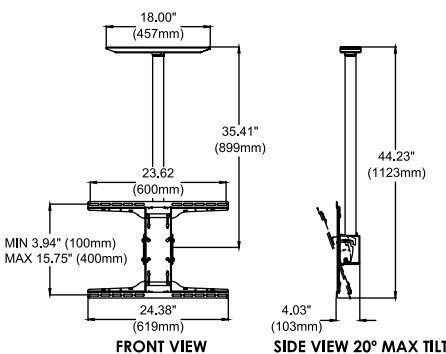


\*Antimicrobial protection is limited to the treated article and does not protect a user against disease causing bacteria. Always clean products thoroughly after each use. Visit [agion-tech.com](http://agion-tech.com) for more details.

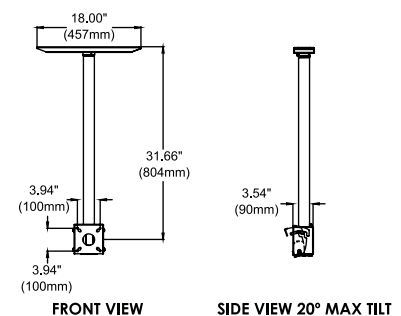
TECHNICAL DRAWINGS

For expanded product information and technical data visit [peerless-av.com](http://peerless-av.com)

PLCM-UNL, PLCM-UNL-CP



PLCM-1, PLCM-1CP



Model	Display Size	Width	Height	Depth	Contents	Max Load	Ship Weight
PLCM-UNL-CP	32"-90"	24.38" (619mm)	44.23" (1123mm)	4.03" (103mm)	Ceiling plate, adaptor, column, tilt box	150lb (68.2kg)	16.7lb (7.59kg)
PLCM-UNL	32"-90"	24.38" (619mm)	43.23" (1098mm)	4.03" (103mm)	Adaptor, column, tilt box	150lb (68.2kg)	14.6lb (6.6kg)
PLCM-2-UNL	32"-90"	24.38" (619mm)	16.75" (425mm)	4.03" (103mm)	Adaptor, base mount	150lb (68.2kg)	9.0lb (4.09kg)
PLCM-1CP	Up to 90"	18.00" (457mm)	37.75" (959mm)	3.54" (90mm)	Ceiling plate, column, tilt box	150lb (68.2kg)	12.3lb (5.6kg)
PLCM-1	Up to 90"	5.60" (142mm)	37.00" (940mm)	3.54" (90mm)	Column, tilt box	150lb (68.2kg)	8.3lb (3.8kg)

To verify mount compatibility with any display or projector model use MountFinder™ at [peerless-av.com](http://peerless-av.com).



CALL: 630-375-5100  
800-865-2112



FAX: 630-820-8537  
800-359-6500



E-MAIL: [info@peerless-av.com](mailto:info@peerless-av.com)



ON-LINE: [peerless-av.com](http://peerless-av.com)

# Single Display Ceiling Mount Components

For up to 75" Displays



## CEILING PLATES

### CMJ470(W) Ceiling Plate for 16" (406mm) joist centers

1. Mounts to wood joists or structural concrete ceiling (requires concrete anchors ACC234/ACC244, sold separately)
2. 1.5"-11.5 NPT (38mm) fitting for attachment of extension column

**Max Load:** 300 lb (136 kg)  
**Ship Weight:** 3.2lb (1.4kg)  
**Color:** Black or white



### ACC570(S)(W) Round Ceiling Plate

1. Mounts to wood joist or structural concrete ceiling (requires concrete anchor ACC233 or ACC200, sold separately)
2. Cable management access hole
3. 1.5"-11.5 NPT (38mm) fitting for attachment of extension column

**Max Load:** 150lb (68kg)  
**Ship Weight:** 1.7lb (.8kg)  
**Color:** Black, silver or white



### ACC-CCPHD Heavy Duty Cathedral Ceiling Adaptor

1. Mounts to cathedral or vaulted ceilings
2. -5°/+95° of adjustment
3. 1.5"-11.5 NPT (38mm) fitting for attachment of extension column

**Max Load:** 500lb (226.8kg)  
**Ship Weight:** 4.6lb (2.1kg)  
**Color:** Black



## EXTENSION COLUMNS

### EXT Fixed Length Extension Columns

1. 1.5"-11.5 NPT (38mm) aluminum pipe threaded on both ends. Notched for use with screw to provide safety and security
2. Extension columns are manufactured from corrosion resistant aluminum and provide cable management access

**Max Load:** 500lb (227.3kg)  
**Color:** Black, silver, white, antimicrobial\* black or antimicrobial\* white

\*Antimicrobial protection is limited to the treated article and does not protect a user against disease causing bacteria. Always clean products thoroughly after each use. Visit [agion-tech.com](http://agion-tech.com) for more details.



Model	Drop*	Ship Weight
EXT018(S)(-W)(-AB)(-AW)	18" (46cm)	1lb (0.4kg)
EXT101(S)(-W)(-AB)(-AW)	1' (0.3m)	2lb (1.8kg)
EXT102(S)(-W)(-AB)(-AW)	2' (0.6m)	2lb (1.8kg)
EXT103(S)(-W)(-AB)(-AW)	3' (0.9m)	3lb (1.2kg)
EXT104(S)(-W)(-AB)(-AW)	4' (1.2m)	4lb (1.8kg)
EXT105(S)(-W)(-AB)(-AW)	5' (1.5m)	6lb (2.7kg)
EXT106(S)(-W)(-AB)(-AW)	6' (1.8m)	7lb (3.2kg)
EXT107(W)(-AB)(-AW)	7' (2.1m)	7lb (3.2kg)
EXT108(S)(-W)(-AB)(-AW)	8' (2.4m)	8lb (3.6kg)
EXT109(S)(-W)(-AB)(-AW)	9' (2.7m)	9lb (4.1kg)
EXT110(W)(-AB)(-AW)	10' (3.1m)	11lb (5kg)

## TILT BOX

### PLCM-2 Tilt Box

1. -5° to 20° adjustable tilt and 360° swivel
2. Uses standard 1.5" (38mm) NPT pipe
3. VESA® 75 and 100 mounting pattern
4. Optional adaptor plate & display mounting hardware, sold separately
5. Ceiling plates & extension columns sold separately

**Max Load:** 150lb (68kg)  
**Ship Weight:** 3.8lb (1.72kg)  
**Color:** Black



### PLCM-4 Stackable Tilt Box

1. -5° to 20° adjustable tilt and 360° swivel
2. Mounts to 1.9" to 2" pipe
3. VESA® 75 and 100 mounting pattern
4. Optional adaptor plate & display mounting hardware, sold separately
5. Ceiling plates & extension columns sold separately

**Max Load:** 150lb (68kg)  
**Ship Weight:** 3.8lb (1.72kg)  
**Color:** Black



## DISPLAY ADAPTOR

### PLP-UNM Universal I-Shaped Adaptor for 22" to 50" Displays

1. Universal adaptor fits virtually any 22" to 50" display with VESA® mounting pattern from 200 x 200 up to 400 x 400mm
2. Compatible with many Peerless-AV® display mounts (sold separately)

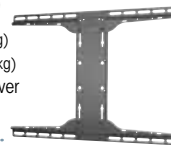
**Max Load:** 150lb (68kg)  
**Ship Weight:** 5.1lb (2.32kg)  
**Color:** Black or silver



### PLP-UNL Universal I-Shaped Adaptor for 32" to 90" Displays

1. Universal adaptor fits virtually any 32" to 90" display with VESA® mounting pattern from 200 x 200 up to 600 x 400mm
2. Compatible with many Peerless-AV® display mounts (sold separately)

**Max Load:** 150lb (68kg)  
**Ship Weight:** 6.3lb (2.86kg)  
**Color:** Black or silver



### PLP-V models Dedicated Adaptor Plates

1. For use with Flat Panel Displays

**PLP-V100:** VESA® 100x100mm  
**PLP-V2X1:** VESA® 200x100mm  
**PLP-V2X2:** VESA® 200x200mm  
**PLP-V3X2:** VESA® 300x200mm  
**PLP-V3X3:** VESA® 300x300mm  
**PLP-V4X2:** VESA® 400x200mm  
**PLP-V4X3:** VESA® 400x300mm  
**PLP-V4X4:** VESA® 400x400mm  
**PLP-V6X2:** VESA® 600x200mm  
**PLP-V6X4:** VESA® 600x400mm  
**PLP-V6X6:** VESA® 600x600mm  
**PLP-V8X4:** VESA® 800x400mm

**Color:** Black



PLP-V6X4

To verify mount compatibility with any display or projector model use [MountFinder™](http://MountFinder™) at [peerless-av.com](http://peerless-av.com).



**CALL:** 630-375-5100  
800-865-2112



**FAX:** 630-820-8537  
800-359-6500



**E-MAIL:** [info@peerless-av.com](mailto:info@peerless-av.com)



**ON-LINE:** [peerless-av.com](http://peerless-av.com)



MODELS

**Universal Models:** (See chart for display size compatibility)

Includes theft resistant hardware for attaching display to mount

**PLCK-UNL** Black

**Dedicated Models:** (See chart for display size compatibility)

**PLCK-1** Black

DISPLAY ADAPTOR

**Mounting Pattern** (W x H)

**Universal Models:** 600 x 400mm  
(23.62" x 15.75")

**VESA® Pattern**

**PLCK-UNL:** Up to 600 x 400mm

**PLCK-1:** 100 x 100mm  
Additional adaptor can be purchased separately.

SPECIFICATIONS

**Distance from Ceiling**  
See chart

**Tilt | Swivel**  
+20°/-5° | 360°

**Max Load**  
See chart

**Product Dimensions** (W x H x D)  
See chart

**Mounting Surfaces**  
Wood joist, concrete and various other applications (May require accessory)

**Ship Weight**  
See chart

CERTIFICATIONS



ACCESSORIES

Single Display Ceiling Mount Components ..... pg# 155

**ACC, CMJ, DCS, DCT Models:**  
Ceiling Plates ..... pg# 228-230

**PLP-V models:**  
Dedicated Adaptor Plates ..pg# 155, 232

**PLP-UNM:**  
Universal I-Shaped Adaptor for 22" to 50" Displays ..... pg# 155, 232

**ACC450:**  
Adaptor Bracket for 22" to 40" Displays ..... pg# 232

# SMARTMOUNT. Ceiling Mount

For up to 90" Displays

- 5° to 20° adjustable tilt and 360° swivel
- Uses standard 1.5" (38mm) NPT pipe
- Mount display in landscape or portrait orientation
- Simple hook-on display installation
- Include a 1.5" NPS threaded coupling enabling retrofit to existing 1.5" NPT or NPS connections
- PLCK-1 includes VESA® 100 x 100mm mounting pattern or can be equipped with display specific adaptor (additional adaptor & display mounting hardware sold separately)



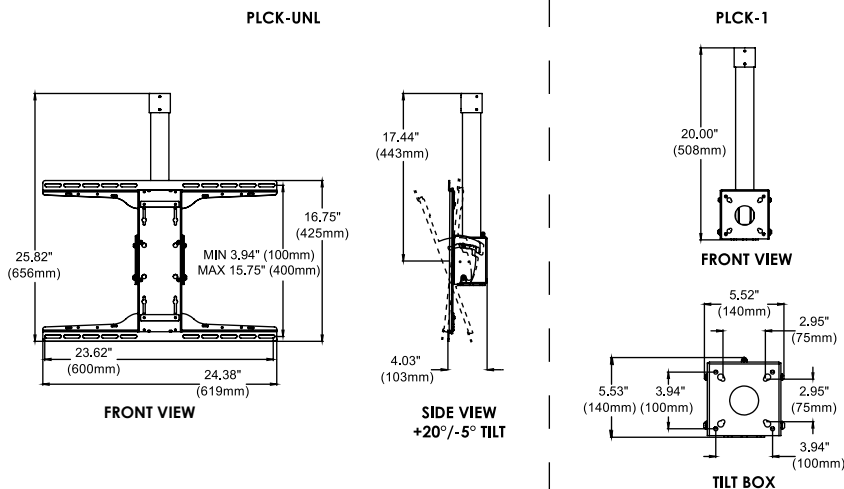
PLCK-UNL



PLCK-1

TECHNICAL DRAWINGS

For expanded product information and technical data visit [peerless-av.com](http://peerless-av.com)



Model	Display Size	Width	Height	Depth	Contents	Max Load	Ship Weight
PLCK-UNL	32"-90"	24.38" (619mm)	25.82" (656mm)	4.03" (103mm)	Adaptor, column, tilt box, 1.5" NPT Coupler	150lb (68.2kg)	17.3lb (7.8kg)
PLCK-1	Up to 90"	5.52" (140mm)	20.00" (508mm)	3.54" (90mm)	Column, tilt box, 1.5" NPT Coupler	150lb (68.2kg)	11.0lb (5.0kg)

To verify mount compatibility with any display or projector model use [MountFinder™](http://MountFinder™) at [peerless-av.com](http://peerless-av.com).



CALL: 630-375-5100  
800-865-2112



FAX: 630-820-8537  
800-359-6500



E-MAIL: [info@peerless-av.com](mailto:info@peerless-av.com)



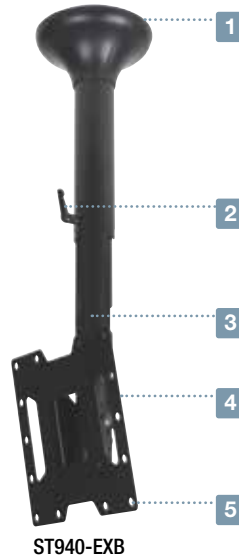
ON-LINE: [peerless-av.com](http://peerless-av.com)



# SMARTMOUNT. Ceiling Mount

For up to 40" Displays

1. Cosmetic cover provides an attractive finish and complements the décor of any room
2. Tool-less height and tilt adjustment provides quick setup and simple maintenance
3. Internal cable management protects, contains and conceals cables for a clean, professional installation
4. Continuous +20° tilt and 360° swivel
5. VESA® 100 x 100, 200 x 100 and 200 x 200mm compliant
6. Multiple cable management options are provided, which allow either routing of the cables through the center of the ceiling plate, or through the removable electrical knockouts in the ceiling plate cover
7. 3 lengths to choose from to get optimum placement
8. Landscape or portrait mounting options increases installation versatility

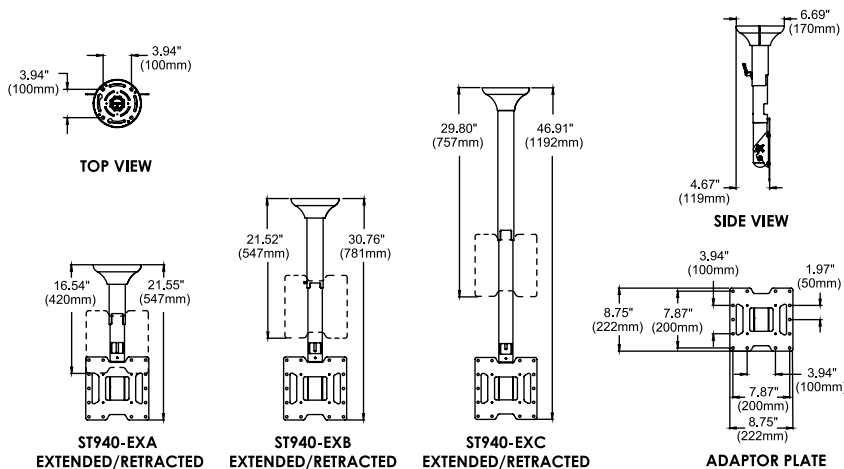


ST940-EXB



For expanded product information and technical data visit [peerless-av.com](http://peerless-av.com)

## TECHNICAL DRAWINGS



To verify mount compatibility with any display or projector model use MountFinder™ at [peerless-av.com](http://peerless-av.com).

## DISPLAY MOUNTS



## MODELS

### Universal Models:

Includes theft resistant hardware for attaching display to mount

- ST940-EXA(-W) Black or white
- ST940-EXB(-W) Black or white
- ST940-EXC(-W) Black or white

## DISPLAY ADAPTOR



### VESA® Pattern

Universal Models: 100 x 100, 200 x 100 and 200 x 200mm

## SPECIFICATIONS



### Distance from Ceiling

- ST940-EXA(-W): 16.54"-21.55" (420-547mm)
- ST940-EXB(-W): 21.52"-30.76" (547-781mm)
- ST940-EXC(-W): 29.80"-46.91" (757-1192mm)



### Tilt | Swivel

+20° | 360°



### Max Load

55lb (25kg)

### Product Dimensions (W x H x D)

- ST940-EXA(-W): 8.75" x 16.54"-21.55" x 6.69" (222 x 420-547 x 170mm)
- ST940-EXB(-W): 8.75" x 21.52"-30.76" x 6.69" (222 x 547-781 x 170mm)
- ST940-EXC(-W): 8.75" x 29.80"-46.91" x 6.69" (222 x 757-1192 x 170mm)

### Mounting Surfaces

Wood joist or concrete

### Ship Weight

- ST940-EXA(-W): 5.5lb (2.5kg)
- ST940-EXB(-W): 6.5lb (2.9kg)
- ST940-EXC(-W): 8.0lb (3.6kg)

## CERTIFICATIONS



## ACCESSORIES



**ACC4X4:**  
VESA® 400 x 400mm  
Adaptor Plate ..... pg# 226



MODELS

Universal Models:

Includes theft resistant hardware for attaching display to mount

**MOD-FPSKIT100** 39" (1m) Ceiling Kit Black/Chrome  
**MOD-FPSKIT100-B** 39" (1m) Ceiling Kit Black

**MOD-FPSKIT150** 59" (1.5m) Ceiling Kit Black/Chrome  
**MOD-FPSKIT150-B** 59" (1.5m) Ceiling Kit Black

**MOD-FCSKIT300** Floor-to-Ceiling Kit Black/Chrome  
**MOD-FCSKIT300-B** Floor-to-Ceiling Kit Black

DISPLAY ADAPTOR

Mounting Pattern (W x H)

Universal Models: 600 x 400mm  
 (23.62" x 15.75")



VESA® Pattern

Universal Models: up to 600 x 400mm

SPECIFICATIONS

Pole Length

**MOD-FPSKIT100(-B):** 39" (1m)  
**MOD-FPSKIT150(-B):** 59" (1.5m)  
**MOD-FCSKIT300(-B):** 118" (3m)

Tilt

**MOD-FPSKIT100(-B)/150(-B):** +20°/-5°  
**MOD-FCSKIT300(-B):** +5°/-5°



Max Load

132lb (60kg)

Product Dimensions (W x H x D)

**MOD-FPSKIT100(-B):** 24.38" x 42.85" x 8.86"  
 (619 x 1088 x 225mm)  
**MOD-FPSKIT150(-B):** 24.38" x 65.84" x 8.86"  
 (619 x 1672 x 225mm)  
**MOD-FCSKIT300(-B):** 24.38" x 120.11" x 7.48"  
 (619 x 3051 x 190mm)

Mounting Surfaces

Wood stud and concrete

Ship Weight

**MOD-FPSKIT100(-B):** 17.3lb (7.9kg)  
**MOD-FPSKIT150(-B):** 19.81lb (9kg)  
**MOD-FCSKIT300(-B):**  
 Box 1: 11.2lb (5.1kg)  
 Box 2: 4.8lb (2.2kg)  
 Box 3: 15.3lb (6.9kg)

CERTIFICATIONS



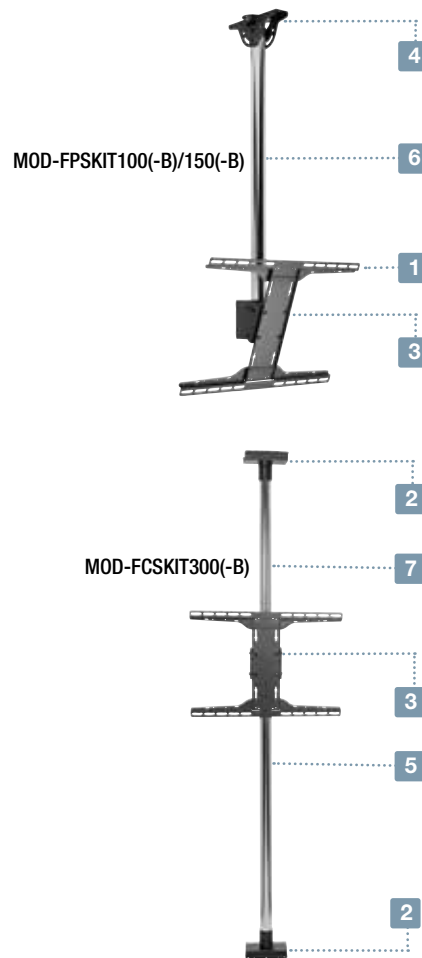
ACCESSORIES

See individual components to 'build your own' solution ..... pg# 159

# Modular Series Ceiling & Floor-To-Ceiling Kits

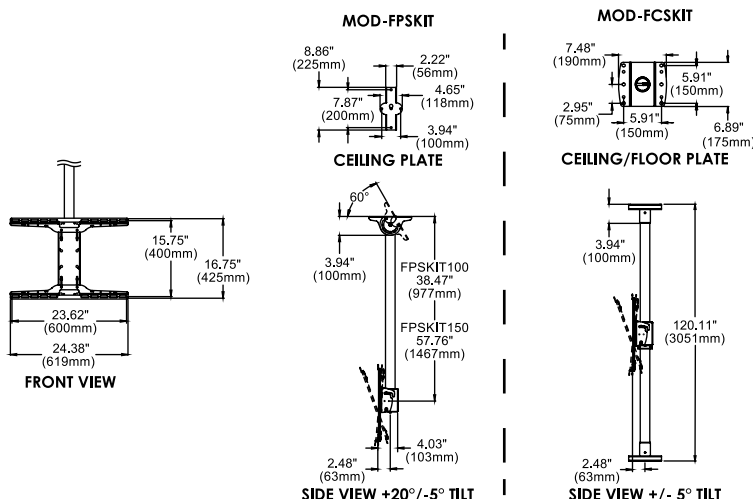
For up to 75" Displays

1. Large universal display adaptor for up to 75" displays with VESA® mounting patterns up to 600 x 400mm
2. Heavy-duty flat plate mount securely mounts to wood or concrete ceilings and floors
3. Display can be positioned at any point along the height of the pole
4. Cathedral ceiling plate can be angled ±60° to accommodate vaulted or sloped ceilings
5. Modular design allows additional displays to be stacked on a single pole
6. Ceiling Mount Kits, MOD-FPSKIT100(-B)/150(-B), include:
  - (1) MOD-CPC
  - (1) MOD-P100(-B) / MOD-P150(-B)
  - (1) MOD-FPMS
  - (1) MOD-UNL
7. Floor-to-Ceiling Mount Kit, MOD-FCSKIT300(-B), includes:
  - (2) MOD-CPF
  - (1) MOD-P300(-B)
  - (1) MOD-FPMS
  - (1) MOD-ASC
  - (1) MOD-UNL



TECHNICAL DRAWINGS

For expanded product information and technical data visit [peerless-av.com](http://peerless-av.com)



To verify mount compatibility with any display or projector model use MountFinder™ at [peerless-av.com](http://peerless-av.com).



CALL: 630-375-5100  
800-865-2112



FAX: 630-820-8537  
800-359-6500



E-MAIL: [info@peerless-av.com](mailto:info@peerless-av.com)



ON-LINE: [peerless-av.com](http://peerless-av.com)

# Modular Series Individual Components to 'Build Your Own' Solution

For up to 75" Displays

## DISPLAY MOUNTS



### 1 CHOOSE THE MOUNTING PLATE TYPE

#### MOD-CPI I-Beam Ceiling Plate

- Fully adjustable for I-beams 3.34" (85mm) to 9.84" (250mm)
  - Can be angled up to 60°
- Max Load:** 264lb (120kg)  
**Ship Weight:** 6.7lb (3kg)  
**Color:** Black



#### MOD-AUB U-Bolt Adaptor Accessory

- Clamps around 1.5"-3.3" (40-85mm) dia. pipes, trusses, mini I-beams, and other construction materials
  - Adapts to MOD-CPC and MOD-CPF
- Max Load:** 264lb (120kg)  
**Ship Weight:** 1.6lb (0.75kg)  
**Color:** Black



#### MOD-CPC(-W) Cathedral Ceiling Plate

- Cathedral ceiling plate can be angled up to 60° for use with vaulted or sloping ceilings
  - Mounts to concrete or wood joist ceilings
- Max Load:** 264lb (120kg)  
**Ship Weight:** 2.5lb (1.1kg)  
**Color:** Black or white



#### MOD-CPF Square Ceiling/Floor Plate, Flat

- Mounts to concrete or wood joist ceilings. Heavy duty.
- Max Load:** 264lb (120kg) in Ceiling application  
374lb (170kg) in Floor-to-Ceiling application  
**Ship Weight:** 3.7lb (1.7kg)  
**Color:** Black



#### MOD-ACF Cosmetic Cover

- Cosmetic cover for modular series square ceiling/floor plate (MOD-CPF)
- Ship Weight:** 1.85lb (0.83kg)  
**Color:** Black



### 2 SELECT THE POLE LENGTH & ACCESSORIES

#### MOD-P100/150/200/300(-B) Extension Poles

- MOD-P100(-B): 39" (1.0m) length  
MOD-P150(-B): 59" (1.5m) length  
MOD-P200(-B): 78" (2m) length  
MOD-P300(-B): 118" (3m) length
  - Cut-to-length 2" (50mm) dia. pole
- Ship Weight:**  
MOD-P100(-B): 5lb (2.2kg)  
MOD-P150(-B): 7.4lb (3.3kg)  
MOD-P200(-B): 10lb (4.5kg)  
MOD-P300(-B): 14.8lb (6.7kg)  
**Color:** Chrome or black



#### MOD-ATD-W Trim Disc

- Covers hole around the 2" (50mm) dia. pole in a suspended ceiling, creating a smooth transition
- Ship Weight:** 0.1lb (0.04kg)  
**Color:** White



#### MOD-APC Pole Coupler

- Connects two 2" (50mm) dia. poles
- Ship Weight:** 4lb (1.8kg)  
**Color:** Black



#### MOD-ADF Pole Drilling Fixture

- Allows marking and positioning of new installation holes to be drilled into newly cut 2" (50mm) dia. poles
- Ship Weight:** 1.2lb (0.54kg)  
**Color:** Black



### 3 SELECT THE MOUNTING CONFIGURATION

#### MOD-FPMS Single Display Mount

- VESA® 75/100mm mounting pattern
  - +20/-5° tilt lockable in 5° increments and 360° rotation
- Max Load:** 132lb (60kg)  
**Ship Weight:** 3.3lb (1.5kg)  
**Color:** Black



#### MOD-FPMD Back-to-Back Display Mount

- VESA® 75/100mm mounting pattern
  - +20/-5° tilt lockable in 5° increments and 360° rotation
- Max Load:** 264lb (120kg)  
**Ship Weight:** 6.0lb (2.7kg)  
**Color:** Black



#### MOD-ASC Display Mount Stacking Clamp

- Clamps around extension pole to stack multiple displays on a single pole
  - Secondary safety screw provided to secure mount into place
- Max Load:** 264lb (120kg)  
**Ship Weight:** 0.45lb (0.20kg)  
**Color:** Black



### 4 IDENTIFY THE DISPLAY ADAPTOR

#### MOD-UNM Medium Universal Adaptor

- For 22" to 50" displays, compatible with VESA® 200 x 200 to 400 x 400mm
- Max Load:** 132lb (60kg)  
**Ship Weight:** 5.1lb (2.32kg)  
**Color:** Black



#### MOD-UNL Large Universal Adaptor

- For 32" to 75" displays, compatible with VESA® 200 x 200 to 600 x 400mm
  - Expands from 200mm to 600mm wide
- Max Load:** 132lb (60kg)  
**Ship Weight:** 6.3lb (2.86kg)  
**Color:** Black



#### ACC450 Adaptor bracket for 22" to 40" displays

- For 22" to 40" displays with VESA® mounting patterns of 200 x 100 and 200 x 200mm
- Max Load:** 115lb (52kg)  
**Ship Weight:** 1.9lb (0.9kg)  
**Color:** Black



#### ACC918 Security Fastener Pack

- For use with MOD-FPMS & MOD-FPMD models
- Ship Weight:** 0.49lb (0.2kg)  
**Color:** Black



To verify mount compatibility with any display or projector model use MountFinder™ at peerless-av.com.



CALL: 630-375-5100  
800-865-2112



FAX: 630-820-8537  
800-359-6500



E-MAIL:  
info@peerless-av.com



ON-LINE:  
peerless-av.com



MODELS

Universal Models:

Includes theft resistant hardware for attaching display to mount

**MOD-FPS2KIT150** Ceiling Mount Kit Black/Chrome  
**MOD-FPS2KIT150-B** Ceiling Mount Kit Black

**MOD-FCS2KIT300** Floor-to-Ceiling Kit Black/Chrome  
**MOD-FCS2KIT300-B** Floor-to-Ceiling Kit Black

**MOD-FW2KIT300** Floor-to-Wall Kit Black/Chrome  
**MOD-FW2KIT300-B** Floor-to-Wall Kit Black

**MOD-FPP2KIT200** Free Standing Kit Black/Chrome  
**MOD-FPP2KIT200-B** Free Standing Kit Black

DISPLAY ADAPTOR

Mounting Pattern (W x H)

Universal Models: 600 x 400mm  
 (23.62" x 15.75")

VESA® Pattern

Universal Models: up to 600 x 400mm

SPECIFICATIONS

Pole Length

**MOD-FPS2KIT150(-B):** 59" (1.5m)  
**MOD-FCS2KIT300(-B):** 118" (3m)  
**MOD-FW2KIT300(-B):** 118" (3m)  
**MOD-FPP2KIT200(-B):** 78" (2m)

Tilt

+20°/-5°

Max Load

**MOD-FPS2KIT150(-B):** 211lb (96kg)  
**MOD-FCS2KIT300(-B):** 422lb (192kg)  
**MOD-FW2KIT300(-B):** 422lb (192kg)  
**MOD-FPP2KIT200(-B):** 422lb (192kg)

Product Dimensions (W x H x D)

**MOD-FPS2KIT150(-B):** 24.57" x 64.04" x 4.61"  
 (624 x 1627 x 117mm)  
**MOD-FCS2KIT300(-B):** 24.57" x 120.79" x 4.61"  
 (624 x 3068 x 117mm)  
**MOD-FW2KIT300(-B):** 24.57" x 119.43" x 4.61"  
 (624 x 3034 x 117mm)  
**MOD-FPP2KIT200(-B):** 24.57" x 82.52" x 4.61"  
 (624 x 2096 x 117mm)

Mounting Surfaces

Wood, concrete, cinder/breeze block

Ship Weight

**MOD-FPS2KIT150(-B):**  
 Box 1: 21.5lb (9.77kg)  
 Box 2 & 3: 7.4lb (3.36kg) each  
**MOD-FCS2KIT300(-B):**  
 Box 1: 27.5lb (12.5kg)  
 Box 2 & 3: 14.8lb (6.7kg) each  
**MOD-FW2KIT300(-B):**  
 Box 1: 29.5lb (13.41kg)  
 Box 2 & 3: 14.8lb (6.7kg) each  
**MOD-FPP2KIT200(-B):**  
 Box 1: 32lb (14.55kg)  
 Box 2 & 3: 10lb (4.5kg) each

CERTIFICATIONS



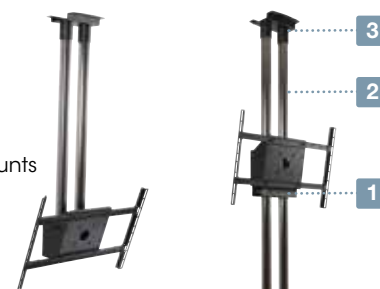
ACCESSORIES

See individual components to 'build your own' solution ..... pg# 161

# Modular Series Dual Pole Ceiling, Floor-To-Ceiling, Floor-To-Wall & Free Standing Kits

For 46" to 90" Displays

1. Display can be positioned at any point along the height of the pole
2. Modular design allows additional displays to be stacked on the dual poles
3. Heavy-duty flat plate mount securely mounts to wood or concrete ceilings and floors
4. Ceiling Mount Kit, MOD-FPS2KIT150(-B), includes:
  - (1) MOD-CPF2
  - (2) MOD-P150(-B)
  - (1) MOD-FPMS2
  - (1) MOD-UNL2
5. Floor-to-Ceiling Mount Kit, MOD-FCS2KIT300(-B), includes:
  - (2) MOD-CPF2
  - (2) MOD-P300(-B)
  - (1) MOD-FPMS2
  - (1) MOD-ASC2
  - (1) MOD-UNL2
6. Floor-to-Wall Mount Kit, MOD-FW2KIT300(-B), includes:
  - (1) MOD-CPF2
  - (1) MOD-WP2
  - (2) MOD-P300(-B)
  - (1) MOD-FPMS2
  - (1) MOD-ASC2
  - (1) MOD-UNL2
7. Free Standing Mount Kit, MOD-FPP2KIT200(-B), includes:
  - (1) MOD-FPP2
  - (2) MOD-P300(-B)
  - (1) MOD-FPMS2
  - (1) MOD-ASC2
  - (1) MOD-UNL2



MOD-FPS2KIT150



MOD-FCS2KIT300

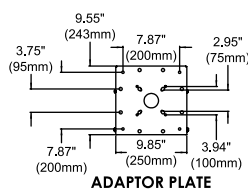


MOD-FW2KIT300

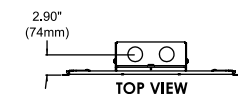
MOD-FPP2KIT200

TECHNICAL DRAWINGS

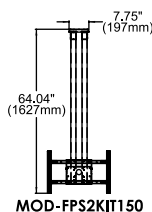
For expanded product information and technical data visit [peerless-av.com](http://peerless-av.com)



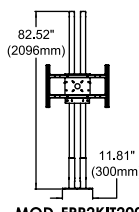
ADAPTOR PLATE



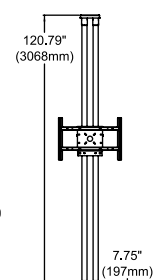
TOP VIEW



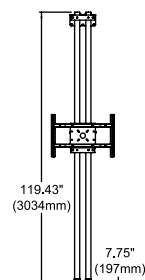
MOD-FPS2KIT150



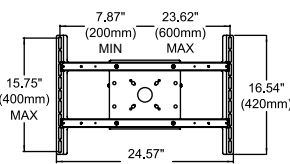
MOD-FPP2KIT200



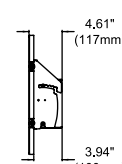
MOD-FCS2KIT300



MOD-FW2KIT300



FRONT VIEW



SIDE VIEW

To verify mount compatibility with any display or projector model use MountFinder™ at [peerless-av.com](http://peerless-av.com).

CALL: 630-375-5100 800-865-2112

FAX: 630-820-8537 800-359-6500

E-MAIL: [info@peerless-av.com](mailto:info@peerless-av.com)

ON-LINE: [peerless-av.com](http://peerless-av.com)

# Modular Series Dual Pole Individual Components to 'Build Your Own' Solution

For 46" to 90" Displays



## 1 CHOOSE THE MOUNTING PLATE TYPE

### MOD-CPI2 Dual Pole I-Beam Ceiling Plate

- Fully adjustable for I-beams 3.34" (85mm) to 9.84" (250mm)
  - Tilt:  $\pm 60^\circ$
- Max Load:** 422lb (192kg)  
**Ship Weight:** 8lb (3.64kg)  
**Color:** Black



### MOD-WP2 Dual Pole Wall Plate

- Mounts to concrete or wood stud walls
- Ship Weight:** 6lb (2.73kg)  
**Color:** Black



### MOD-FPP2 Dual Pole Free Standing Floor Plate

- Mounts to concrete or wood floors
- Max Load:** 422lb (192kg)  
**Ship Weight:** 12.5lb (5.68kg)  
**Color:** Black



### MOD-CPF2 Dual Pole Square Ceiling/Floor Plate, Flat

- Mounts to concrete and wood joist ceilings. Heavy duty.
- Max Load:** 422lb (192kg)  
**Ship Weight:** 4lb (1.82kg)  
**Color:** Black



### MOD-ACF2 Dual Pole Cosmetic Cover

- Cosmetic cover for modular series square ceiling/floor plate (MOD-CPF2)
- Ship Weight:** 1.5lb (0.68kg)  
**Color:** Black



## 2 SELECT THE POLE LENGTH & ACCESSORIES

### MOD-P100/150/200/300(-B) Extension Poles

- MOD-P100(-B): 39" (1.0m) length  
MOD-P150(-B): 59" (1.5m) length  
MOD-P200(-B): 78" (2m) length  
MOD-P300(-B): 118" (3m) length
  - Cut-to-length 2" (50mm) dia. pole
- Ship Weight:**  
MOD-P100(-B): 5lb (2.2kg)  
MOD-P150(-B): 7.4lb (3.3kg)  
MOD-P200(-B): 10lb (4.5kg)  
MOD-P300(-B): 14.8lb (6.7kg)  
**Color:** Chrome or black



### MOD-ATD-W Trim Disc

- Covers hole around the 2" (50mm) dia. pole in a suspended ceiling, creating a smooth transition
- Ship Weight:** 0.1lb (0.04kg)  
**Color:** White



### MOD-APC Pole Coupler

- Connects two 2" (50mm) dia. poles
- Ship Weight:** 4lb (1.8kg)  
**Color:** Black



### MOD-ADF Pole Drilling Fixture

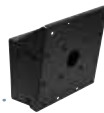
- Allows marking and positioning of new installation holes to be drilled into newly cut 2" (50mm) dia. poles
- Ship Weight:** 1.2lb (0.54kg)  
**Color:** Black



## 3 SELECT THE MOUNTING CONFIGURATION

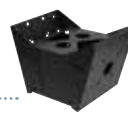
### MOD-FPMS2 Dual Pole Single Display Mount

- For 46" to 90" displays with VESA® 200 x 200mm mounting pattern
  - +20/-5° tilt lockable in 5° increments
- Max Load:** 211lb (96kg)  
**Ship Weight:** 13.5lb (6.14kg)  
**Color:** Black



### MOD-FPMD2 Dual Pole Back-to-Back Display Mount

- For 46" to 90" displays with VESA® 200 x 200mm mounting pattern
  - +20/-5° tilt lockable in 5° increments
- Max Load:** 422lb (192kg)  
**Ship Weight:** 13.5lb (6.14kg)  
**Color:** Black



### MOD-ASC2 Dual Pole Display Mount Stacking Clamp

- Clamps around extension poles to stack multiple single or back-to-back displays
  - Secondary safety screws provided to secure mount into place
- Max Load:** 422lb (192kg)  
**Ship Weight:** 2lb (0.91kg)  
**Color:** Black



## 4 IDENTIFY THE DISPLAY ADAPTOR

### MOD-UNL2 Large Universal Adaptor

- For 46" to 90" displays
  - Compatible with VESA® patterns from 300 x 200 to 600 x 400mm
- Max Load:** 211lb (96kg)  
**Ship Weight:** 4lb (1.82kg)  
**Color:** Black



## 5 SELECT OPTIONAL ACCESSORY

### MOD-AWM2 Dual-Pole Wall Mount Interface

- Provides mounting for Peerless-AV Flat, Tilt & Video Wall mounts
- Max Load:** 211lb (96kg)  
**Ship Weight:** 7lb (3.18kg)  
**Color:** Black



## 6 SELECT OPTIONAL SECURITY

### ACC925 Security Fastener Pack

- For use with MOD-FPMS2 & MOD-FPMD2 models
- Ship Weight:** 0.84lb (0.38kg)  
**Color:** Black



To verify mount compatibility with any display or projector model use MountFinder™ at peerless-av.com.



CALL: 630-375-5100  
800-865-2112



FAX: 630-820-8537  
800-359-6500



E-MAIL:  
info@peerless-av.com



ON-LINE:  
peerless-av.com



MODELS

Universal Models:

Includes standard hardware (hex or Phillips) for attaching display to mount

**DSF290** Black

DISPLAY ADAPTOR



VESA® Pattern

Universal Models: 100, 200, 300 and 400mm

SPECIFICATIONS



Max Load

175lb (79kg)

Product Dimensions (W x H x D)

1.55" x 20.50" x 3.65"  
(39 x 521 x 93 mm)

Mounting Surfaces

12" Truss  
with 2" outer diameter tubing

Ship Weight

7lb (3.2kg)

CERTIFICATIONS



ACCESSORIES



**DS-VW655:**  
SmartMount® Flat  
Video Wall Mount ..... pg# 51



**DS-VW765-LAND:**  
SmartMount® Full Service  
Video Wall Mount - Landscape .. pg# 54



**SF640/SF650/SF660:**  
SmartMount® Universal  
Flat Wall Mounts..... pg# 87-88



**ST640/ST650/ST660:**  
SmartMount® Universal  
Tilt Wall Mounts ..... pg# 94-95

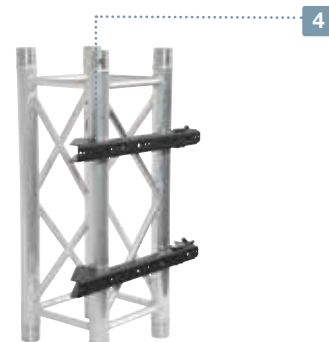
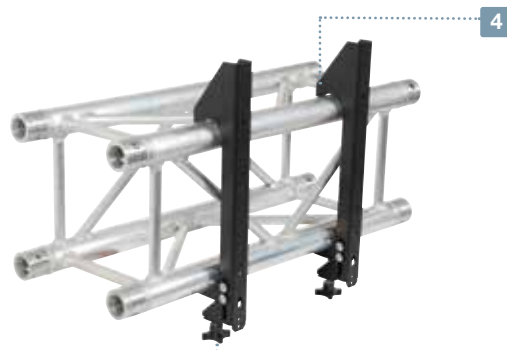


**FPS-1000/SP850:**  
SmartMount® Pull-Out  
Pivot Wall Mounts ..... pg# 104, 106

# Truss Mount

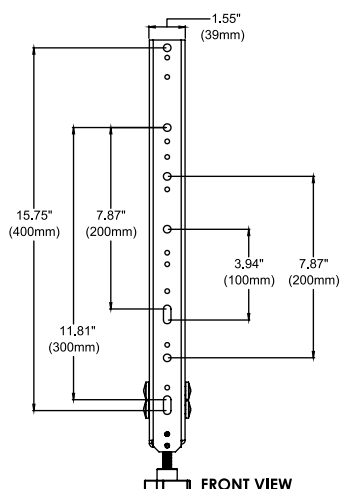
For 12" truss with 2" Outer Diameter Tubing  
For 40" to 90" Displays

1. Truss clamp can be quickly attached or removed from a truss without the use of tools
2. Adjustable to various 12" truss manufacturers
3. VESA® compliant mounting patterns for attaching directly to the display
4. Can be attached to the truss running vertically or horizontally
5. Compatible with a select group of Peerless-AV® flat, tilt, pivot and video wall mounts
6. Ideal for rental and staging applications with repeated set up

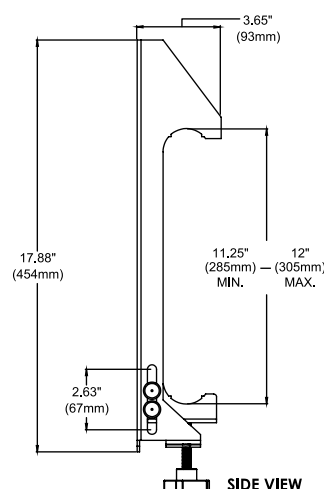


TECHNICAL DRAWINGS

For expanded product information and technical data visit [peerless-av.com](http://peerless-av.com)



FRONT VIEW



SIDE VIEW

To verify mount compatibility with any display or projector model use MountFinder™ at [peerless-av.com](http://peerless-av.com).



CALL: 630-375-5100  
800-865-2112



FAX: 630-820-8537  
800-359-6500



E-MAIL: [info@peerless-av.com](mailto:info@peerless-av.com)



ON-LINE: [peerless-av.com](http://peerless-av.com)

# Flat Panel Cart

For 32" to 75" Displays

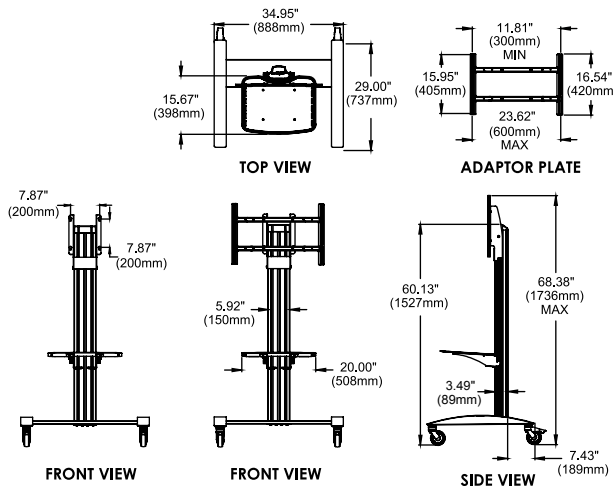
1. Display and component shelf can be located anywhere along the column for perfect placement and viewing height (up to 60" at center)
2. Integrated cable management protects, contains and conceals cables for a clean, professional installation
3. Maneuvers easily on 4" (102mm) swivel casters, two locking
4. Pre-assembled base provides rigidity, stability and quick assembly
5. Textured black powder coat finish helps hide finger prints and dust
6. Open frame display adaptor helps prevent display input interference
7. Agion® antimicrobial\* finish assists in controlling the spread of infections with SR560M-AB/AW models



\*Antimicrobial protection is limited to the treated article and does not protect a user against disease causing bacteria. Always clean products thoroughly after each use. Visit [agion-tech.com](http://agion-tech.com) for more details.

For expanded product information and technical data visit [peerless-av.com](http://peerless-av.com)

## TECHNICAL DRAWINGS



To verify mount compatibility with any display or projector model use MountFinder™ at [peerless-av.com](http://peerless-av.com).



CALL: 630-375-5100  
800-865-2112



FAX: 630-820-8537  
800-359-6500



E-MAIL: info@peerless-av.com



ON-LINE: [peerless-av.com](http://peerless-av.com)



## MODELS

### Universal Models:

Includes theft resistant hardware for attaching display to mount

- SR560M** Black cart with metal shelf
- SR560M-AB** Antimicrobial\* black cart with metal shelf
- SR560M-AW** Antimicrobial\* white cart with metal shelf

## DISPLAY ADAPTOR



### VESA® Pattern

Universal Models: 200 x 200 up to 600 x 400mm

## SPECIFICATIONS



### Tilt

0°/5°



### Max Load

150lb (68.2kg) display  
10lb (4.55kg) shelf

### Product Dimensions (W x H x D)

34.95" x 68.38" x 29.00"  
(888 x 1736 x 737mm)

### Ship Weight

79lb (35.9kg)

## CERTIFICATIONS



**RoHS**

SR560M-AB/AW:



## ACCESSORIES



**ACC310:** Feet Accessory..... pg# 235



**ACC316:** Safety Belt..... pg# 235



**ACC320:** Electrical Outlet Strip with Cord Wrap..... pg# 235



**ACC-BPR:** Bumper Accessory for legs .... pg# 235



**ACC-GS1:** Tempered Glass Shelf ..... pg# 236



**ACC-LA:** Laptop Arm..... pg# 236



**ACC-MS:** Metal Shelf..... pg# 236



**ACC-VCS:** Video Conferencing Camera Shelf ..... pg# 236



**DSX750:** Media Player Storage..... pg# 144



**MIS995:** 800mm VESA® Adaptor.....pg# 235



MODELS

Universal Models:

Includes theft resistant hardware for attaching display to mount

**SR575M** Black cart with metal shelf

DISPLAY ADAPTOR



VESA® Pattern

Universal Models: 200 x 200 up to 600 x 400mm

SPECIFICATIONS

	<b>Tilt</b>
	0°/-5°
	<b>Max Load</b>
	150lb (68.2kg) display 10lb (4.55kg) shelf
	<b>Product Dimensions (W x H x D)</b>
	35.73" x 68.38" x 30.00" (908 x 1736 x 762mm)
	<b>Ship Weight</b>
	83lb (37.7kg)

CERTIFICATIONS



ACCESSORIES

- ACC310:** Feet Accessory..... pg# 235
- ACC316:** Safety Belt..... pg# 235
- ACC320:** Electrical Outlet Strip with Cord Wrap..... pg# 235
- ACC-GS1:** Tempered Glass Shelf ..... pg# 235
- ACC-LA:** Laptop Arm..... pg# 236
- ACC-MS:** Metal Shelf..... pg# 236
- ACC-VCS:** Video Conferencing Camera Shelf ..... pg# 236
- DSX750:** Media Player Storage..... pg# 144
- MIS995:** 800mm VESA® Adaptor.....pg# 235

SMARTMOUNT.

Full Featured Flat Panel Cart

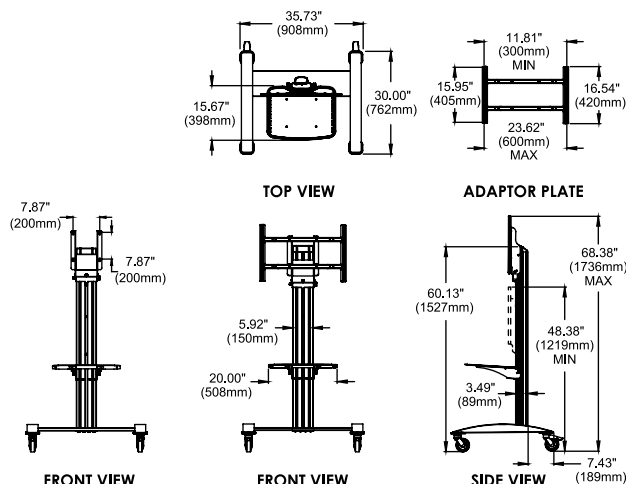
For 32" to 75" Displays

1. 20" of tool-less height adjustment places the center of the display anywhere from 40" to 60" above the ground
2. Shelf can be positioned anywhere along the column by simply lifting and repositioning
3. Integrated cable management protects, contains and conceals cables for a clean, professional installation
4. Maneuvers easily on 4" (102mm) swivel casters, two locking
5. Corner bumpers protect walls and doorways from damage
6. Pre-assembled base provides rigidity, stability and quick assembly
7. Open frame display adaptor helps prevent display input interference
8. Textured black powder coat finish helps hide finger prints and dust



TECHNICAL DRAWINGS

For expanded product information and technical data visit [peerless-av.com](http://peerless-av.com)



To verify mount compatibility with any display or projector model use MountFinder™ at [peerless-av.com](http://peerless-av.com).



CALL: 630-375-5100  
800-865-2112



FAX: 630-820-8537  
800-359-6500



E-MAIL: [info@peerless-av.com](mailto:info@peerless-av.com)



ON-LINE: [peerless-av.com](http://peerless-av.com)

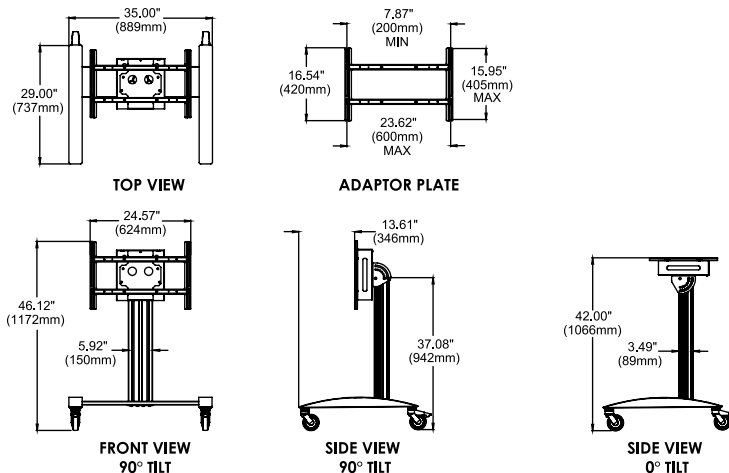


1. Capable of +90° tilt for kiosk and interactive applications
2. Secure media player storage below the display with simple access to the device without having to remove the display
3. Accommodates media players up to 3.42" x 12.00" x 11.31" (86 x 304 x 287mm)
4. Cables can enter and exit on either side anywhere along the column and are held in place with a high tech polymer cover
5. Maneuvers easily on 4" (102mm) swivel casters, two locking
6. Pre-assembled base provides rigidity, stability and quick assembly
7. Textured black powder coat finish helps hide finger prints and dust
8. Open frame display adaptor helps prevent display input interference



For expanded product information and technical data visit [peerless-av.com](http://peerless-av.com)

## TECHNICAL DRAWINGS



## DISPLAY MOUNTS



### MODELS

#### Universal Models:

Includes theft resistant hardware for attaching display to mount  
**SR575K** Black

### DISPLAY ADAPTOR



#### VESA® Pattern

Universal Models: 200 x 200 up to 600 x 400mm

### SPECIFICATIONS



#### Tilt

0°, +90°



#### Max Load

150lb (68.2kg) display  
 25lb (11.4kg) media player

#### Product Dimensions (W x H x D)

35.00" x 46.12" x 29.00"  
 (889 x 1172 x 737mm)

#### Mounting Surfaces

All floor surfaces

#### Ship Weight

65.3lb (29.68kg)

### CERTIFICATIONS

**RoHS**

### ACCESSORIES



**ACC310:**  
 Feet Accessory..... pg# 235



**ACC320:**  
 Electrical Outlet Strip  
 with Cord Wrap..... pg# 235



**ACC-BPR:**  
 Bumper Accessory for legs .... pg# 235



**MIS995:**  
 800mm VESA® Adaptor.....pg# 235

To verify mount compatibility with any display or projector model use MountFinder™ at [peerless-av.com](http://peerless-av.com).



CALL: 630-375-5100  
 800-865-2112



FAX: 630-820-8537  
 800-359-6500



E-MAIL:  
[info@peerless-av.com](mailto:info@peerless-av.com)



ON-LINE:  
[peerless-av.com](http://peerless-av.com)



MODELS

Universal Models:

Includes theft resistant hardware for attaching display to mount

<b>SR598</b>	Black
<b>SR598-HUB</b>	Black

DISPLAY ADAPTOR



VESA® Pattern

Universal Models

<b>SR598:</b>	200 x 200 up to 900 x 600mm
<b>SR598-HUB:</b>	200 x 200 up to 1256 x 608mm

SPECIFICATIONS

	<b>Tilt</b>	0°/5°
	<b>Max Load</b>	300lb (136.1kg) display
<b>Product Dimensions (W x H x D)</b>		
<b>SR598:</b>	46.01" x 68.38" x 29.00" (1169 x 1736 x 737mm)	
<b>SR598-HUB:</b>	51.15" x 72.44" x 29.97" (1299 x 1840 x 761mm)	
<b>Ship Weight</b>		
<b>SR598:</b>	109lb (49.5kg)	
<b>SR598-HUB:</b>	115lb (52.2kg)	

CERTIFICATIONS

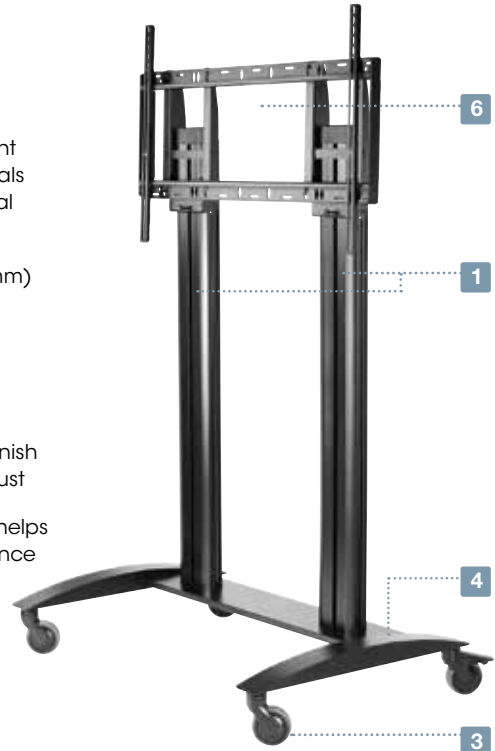


ACCESSORIES

- ACC310:** Feet Accessory..... pg# 235
- ACC316:** Safety Belt..... pg# 235
- ACC320:** Electrical Outlet Strip with Cord Wrap..... pg# 235
- ACC-BPR:** Bumper Accessory for legs .... pg# 235
- ACC-GS1:** Tempered Glass Shelf ..... pg# 236
- ACC-LA:** Laptop Arm..... pg# 236
- ACC-MS:** Metal Shelf..... pg# 236
- ACC-VCS:** Video Conferencing Camera Shelf ..... pg# 236

**SMARTMOUNT.** Flat Panel Cart  
For 55" to 98" Displays

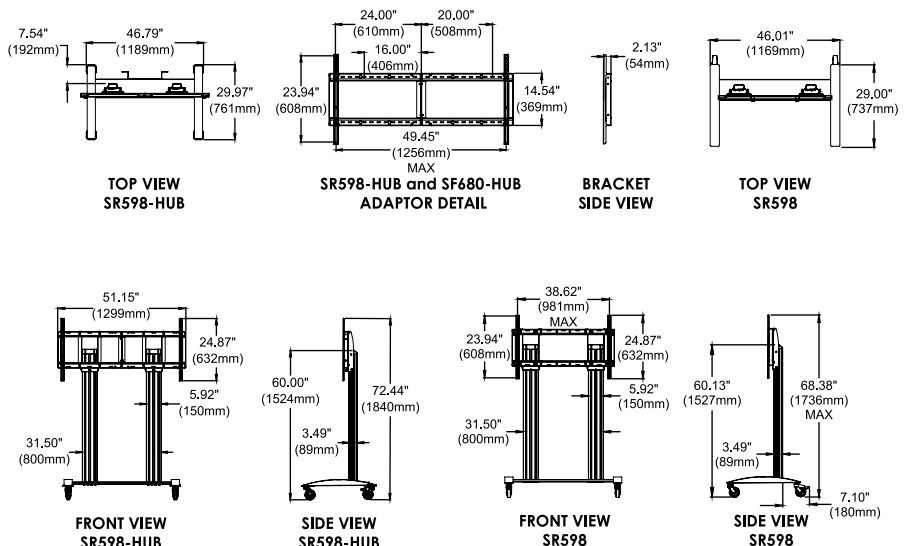
1. Display can be located anywhere along the column for perfect viewing height (up to 60" at center)
2. Integrated cable management protects, contains and conceals cables for a clean, professional installation
3. Maneuvers easily on 4" (102mm) swivel casters, two locking
4. Pre-assembled base provides rigidity, stability and quick assembly
5. Textured black powder coat finish helps hide finger prints and dust
6. Open frame display adaptor helps prevent display input interference
7. Optional ACC-MS shelf can be positioned anywhere along either column by simply lifting and repositioning
8. SR598-HUB is compatible with both the 55" and 84" Microsoft® Surface™ Hub
9. For wall mounting the 55" or 84" Microsoft® Surface™ Hub, please reference SF680-HUB on peerless-av.com



SR598

TECHNICAL DRAWINGS

For expanded product information and technical data visit [peerless-av.com](http://peerless-av.com)



To verify mount compatibility with any display or projector model use MountFinder™ at [peerless-av.com](http://peerless-av.com).

# Flat Panel Video Conferencing Cart

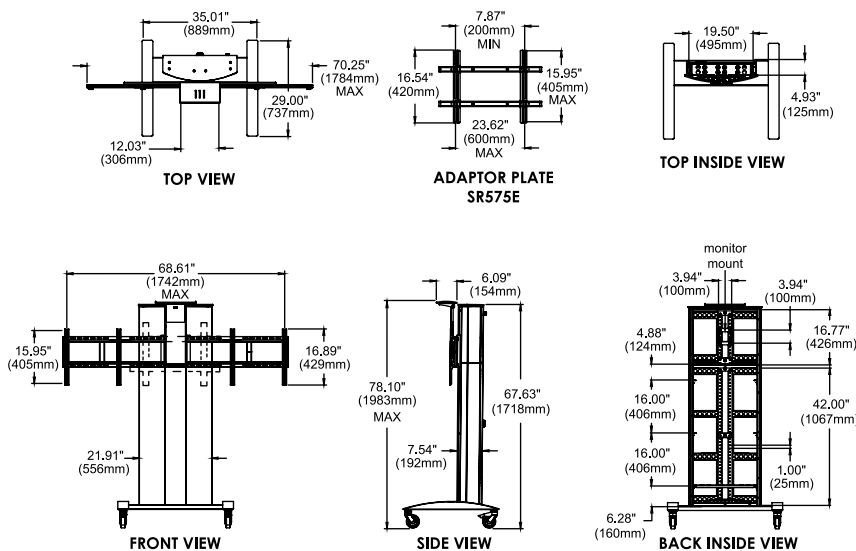
For one 32" to 75" Display or two 40" to 55" Displays

1. Display can be located anywhere along the column for perfect viewing height (up to 60" at center)
2. Integrated cable management protects, contains and conceals cables for a clean, professional installation
3. Maneuvers easily on 4" (102mm) swivel casters, two locking
4. Corner bumpers protect walls and doorways from damage
5. Fully welded base structure provides rigidity, stability and quick assembly
6. Textured black powder coat finish helps to hide finger prints and dust while stainless steel accents provide an attractive appearance
7. Open frame adaptor design to help prevent display component input interference
8. Upright structure houses components in either 2RU 19" rack mount configuration or a shelf inside a lockable compartment
9. Six outlet surge protector with 15ft cord housed inside the enclosure
10. Upper compartment doubles as a work surface for laptops or keyboard/mouse and test monitor



For expanded product information and technical data visit [peerless-av.com](http://peerless-av.com)

## TECHNICAL DRAWINGS



To verify mount compatibility with any display or projector model use MountFinder™ at [peerless-av.com](http://peerless-av.com).



## MODELS

### Universal Models:

Includes theft resistant hardware for attaching display to mount

<b>SR555E</b>	Two 40" to 55" Displays	Black*
<b>SR575E</b>	One 32" to 75" Display	Black*

\*With brushed stainless steel front

## DISPLAY ADAPTOR



### VESA® Pattern

#### Universal Models:

SR555E:	200 x 200 up to 400 x 400mm
SR575E:	200 x 200 up to 600 x 400mm

## SPECIFICATIONS



### Max Load

SR555E:	75lb (43.1kg) per display
SR575E:	150lb (68.2kg) display

### Product Dimensions (W x H x D)

SR555E:	70.25" x 78.10" x 29.00" (1784 x 1983 x 737mm)
SR575E:	35.01" x 78.10" x 29.00" (889 x 1983 x 737mm)

### Mounting Surfaces

All floor surfaces

### Ship Weight

SR555E:	195lb (88.6kg)
SR575E:	178lb (80.9kg)

## CERTIFICATIONS



## ACCESSORIES



**ACC310:**  
Feet Accessory..... pg# 235



**ACC316:**  
Safety Belt..... pg# 235



**ACC-GS1E:**  
Tempered Glass Shelf ..... pg# 236



MODELS

Universal Models:

Includes theft resistant hardware for attaching display to mount  
**SR555M**      Black

DISPLAY ADAPTOR



VESA® Pattern

Universal Models:    200 x 200 up to 400 x 400mm

SPECIFICATIONS

Tilt

0°/-5°



Max Load

75lb (43.1kg) per display

Product Dimensions (W x H x D)

70.25" x 78.10" x 29.00"  
 (1784 x 1983 x 737mm)

Mounting Surfaces

All floor surfaces

Ship Weight

98lb (44.5kg)

CERTIFICATIONS



ACCESSORIES



**ACC310:**  
 Feet Accessory..... pg# 235



**ACC316:**  
 Safety Belt..... pg# 235



**ACC320:**  
 Electrical Outlet Strip  
 with Cord Wrap..... pg# 235



**ACC-GS1:**  
 Tempered Glass Shelf ..... pg# 236



**ACC-LA:**  
 Laptop Arm..... pg# 236



**ACC-MS:**  
 Metal Shelf..... pg# 236



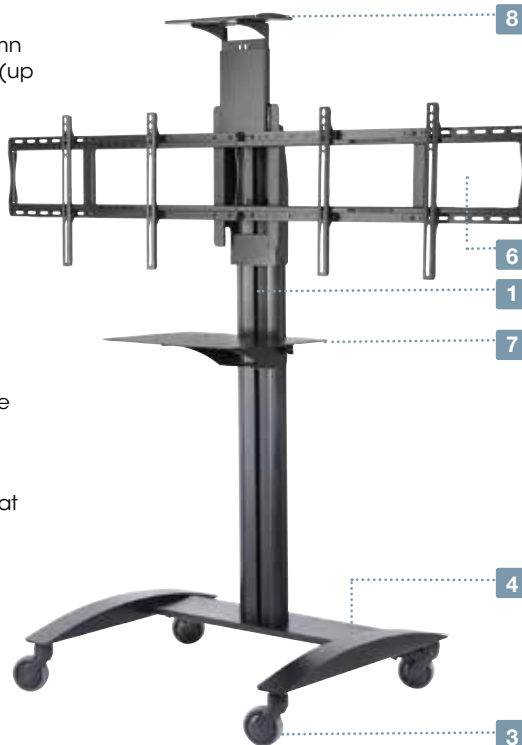
**ACC-BPR:**  
 Bumper Accessory for legs .... pg# 235

SMARTMOUNT.

Flat Panel Video Conferencing Cart

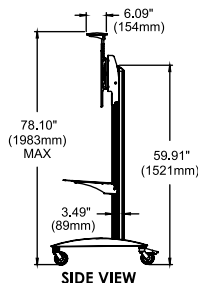
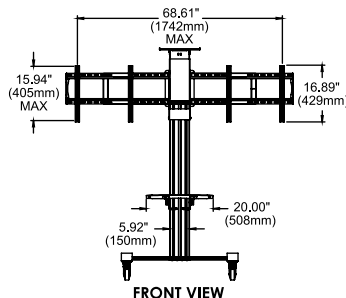
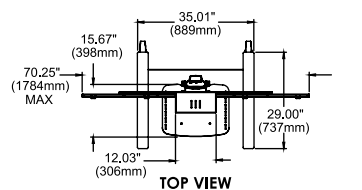
For two 40" to 55" Displays

1. Display can be located anywhere along the column for perfect viewing height (up to 60" at center)
2. Integrated cable management protects, contains and conceals cables for a clean, professional installation
3. Maneuvers easily on 4" (102mm) swivel casters, two locking
4. Fully welded base structure provides rigidity, stability and quick assembly
5. Textured black powder coat finish helps to hide finger prints and dust
6. Open frame adaptor design to help prevent display component input interference
7. Shelf can be positioned anywhere along the column by simply lifting and repositioning
8. Camera mount has adjustable height and is centered between the two displays



TECHNICAL DRAWINGS

For expanded product information and technical data visit [peerless-av.com](http://peerless-av.com)



To verify mount compatibility with any display or projector model use MountFinder™ at [peerless-av.com](http://peerless-av.com).



CALL: 630-375-5100  
 800-865-2112



FAX: 630-820-8537  
 800-359-6500



E-MAIL: [info@peerless-av.com](mailto:info@peerless-av.com)



ON-LINE: [peerless-av.com](http://peerless-av.com)

# Mobile Medical Storage Cart with Monitor and PC Mount

For Computer Workstation Monitors with VESA® 75x75 and 100x100mm

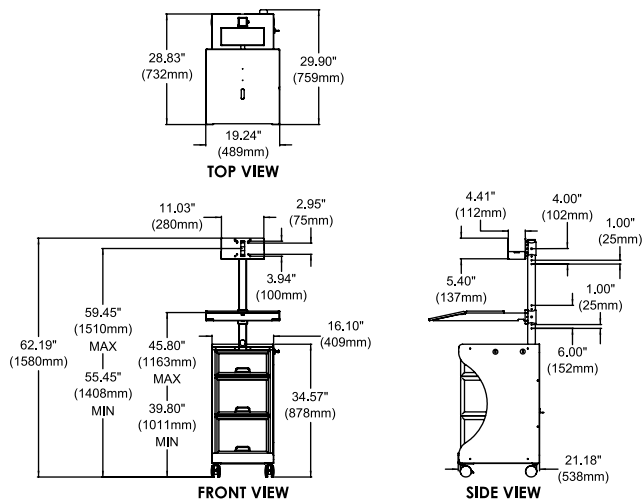
1. TAA Compliant - Manufactured in North America to precise standards
2. Efficiently houses and transports a computer workstation from patient to patient or room to room
3. Innovative design houses a small computer directly behind the monitor and out of the way
4. Tool-less height adjustment of the monitor and keyboard tray
5. Three plastic bins provide ample storage and quick access to supplies
6. Built-in cord management keeps cords tidy and out of the way
7. Agion® antimicrobial\* finish assists in controlling the spread of infectious diseases



\* Antimicrobial protection is limited to the treated article and does not protect a user against disease causing bacteria. Always clean products thoroughly after each use. Visit [www.agion-tech.com](http://www.agion-tech.com) for more details.

For expanded product information and technical data visit [peerless-av.com](http://peerless-av.com)

## TECHNICAL DRAWINGS



To verify mount compatibility with any display or projector model use MountFinder™ at [peerless-av.com](http://peerless-av.com).



CALL: 630-375-5100  
800-865-2112



FAX: 630-820-8537  
800-359-6500



E-MAIL: [info@peerless-av.com](mailto:info@peerless-av.com)



ON-LINE: [peerless-av.com](http://peerless-av.com)

## DISPLAY MOUNTS



## MODELS

### Universal Models:

Includes theft resistant hardware for attaching display to mount

**HCC501** White

## DISPLAY ADAPTOR



### VESA® Pattern

Universal Models: 75 x 75 and 100 x 100mm

## SPECIFICATIONS



### Height Adjustment

Monitor: 55.45"-59.45" (1408-1510mm)  
Keyboard Tray: 39.80"-45.80" (1011-1163mm)



### Max Load

25lb (11kg)

### Product Dimensions (W x H x D)

19.24" x 62.19" x 29.90"  
(489 x 1580 x 759mm)

### Ship Weight

99.5lb (45kg)

## CERTIFICATIONS



Nature's antimicrobial



MODELS

Universal Models:

Includes theft resistant hardware for attaching display to mount

- SS560F** Black stand without shelf
- SS560M** Black stand with metal shelf

DISPLAY ADAPTOR



VESA® Pattern

Universal Models: 200 x 200 up to 600 x 400mm

SPECIFICATIONS

	<b>Tilt</b>	0°/5°
	<b>Max Load</b>	150lb (68.2kg) display 10lb (4.55kg) shelf
	<b>Product Dimensions (W x H x D)</b>	35.00" x 68.41" x 29.00" (889 x 1738 x 737mm)
	<b>Mounting Surfaces</b>	All floor surfaces
	<b>Ship Weight</b>	<b>SS560F:</b> 69.0lb (31.36kg) <b>SS560M:</b> 80.0lb (36.36kg)

CERTIFICATIONS



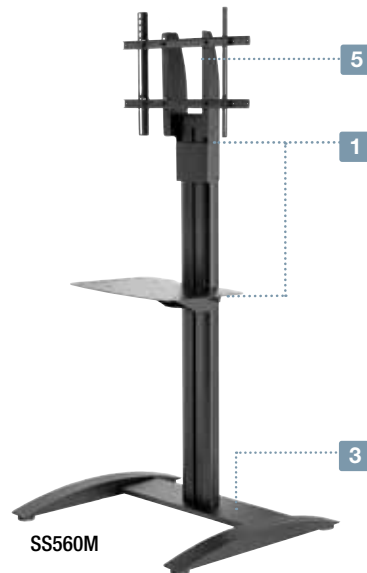
ACCESSORIES

- ACC310:** Feet Accessory..... pg# 235
- ACC316:** Safety Belt..... pg# 235
- ACC320:** Electrical Outlet Strip with Cord Wrap..... pg# 235
- ACC-GS1:** Tempered Glass Shelf ..... pg# 236
- ACC-LA:** Laptop Arm..... pg# 236
- ACC-MS:** Metal Shelf..... pg# 236
- ACC-VCS:** Video Conferencing Camera Shelf ..... pg# 236
- DSX750:** Media Player Storage..... pg# 144
- MIS995:** 800mm VESA® Adaptor.....pg# 235

# SMARTMOUNT. Flat Panel Floor Stand

For 32" to 75" Displays

1. Display and component shelf can be located anywhere along the column for perfect placement and viewing height (up to 60" at center)
2. Integrated cable management protects, contains and conceals cables for a clean, professional installation
3. Wide base provides safety by preventing accidental tipping
4. Textured black powder coat finish helps hide finger prints and dust
5. Open frame display adaptor helps prevent display input interference
6. 5 degrees of negative adjustment keeps even the heaviest of displays level



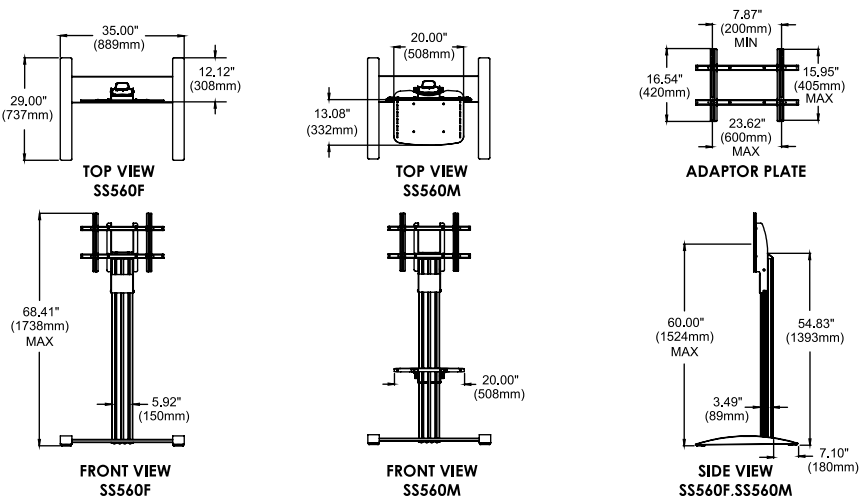
SS560M



SS560F

TECHNICAL DRAWINGS

For expanded product information and technical data visit [peerless-av.com](http://peerless-av.com)



To verify mount compatibility with any display or projector model use MountFinder™ at [peerless-av.com](http://peerless-av.com).



CALL: 630-375-5100  
800-865-2112



FAX: 630-820-8537  
800-359-6500



E-MAIL: [info@peerless-av.com](mailto:info@peerless-av.com)

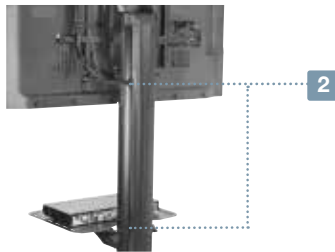
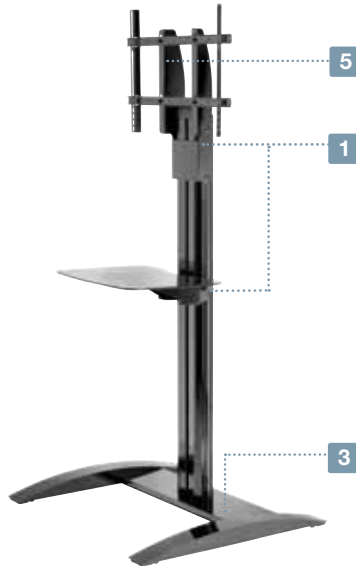


ON-LINE: [peerless-av.com](http://peerless-av.com)

# SMARTMOUNT. Flat Panel Floor Stand

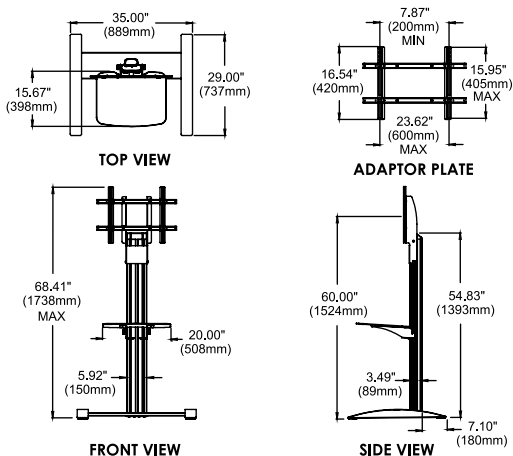
For 32" to 75" Displays

1. Display and glass component shelf can be located anywhere along the column for perfect placement and viewing height (up to 60" at center)
2. Integrated cable management protects, contains and conceals cables for a clean, professional installation
3. Wide base provides safety by preventing accidental tipping
4. Gloss black powder coat finish helps hide finger prints and dust
5. Open frame display adaptor helps prevent display input interference
6. 5° of negative adjustment keeps even the heaviest of displays level



For expanded product information and technical data visit [peerless-av.com](http://peerless-av.com)

## TECHNICAL DRAWINGS



To verify mount compatibility with any display or projector model use MountFinder™ at [peerless-av.com](http://peerless-av.com).



CALL: 630-375-5100  
800-865-2112



FAX: 630-820-8537  
800-359-6500



E-MAIL: [info@peerless-av.com](mailto:info@peerless-av.com)



ON-LINE: [peerless-av.com](http://peerless-av.com)



## MODELS

### Universal Models:

Includes theft resistant hardware for attaching display to mount

**SS560G** Black stand with glass shelf

## DISPLAY ADAPTOR



### VESA® Pattern

Universal Models: 200 x 200 up to 600 x 400mm

## SPECIFICATIONS



### Tilt

0°/-5°



### Max Load

150lb (68.2kg) display  
10lb (4.55kg) shelf

### Product Dimensions (W x H x D)

35.00" x 68.41" x 29.00"  
(889 x 1738 x 737mm)

### Mounting Surfaces

All floor surfaces

### Ship Weight

80lb (36.36kg)

## CERTIFICATIONS



## ACCESSORIES



**ACC310:**  
Feet Accessory..... pg# 235



**ACC316:**  
Safety Belt..... pg# 235



**ACC320:**  
Electrical Outlet Strip  
with Cord Wrap..... pg# 235



**ACC-GS1:**  
Tempered Glass Shelf..... pg# 236



**ACC-LA:**  
Laptop Arm..... pg# 236



**ACC-MS:**  
Metal Shelf..... pg# 236



**ACC-VCS:**  
Video Conferencing  
Camera Shelf..... pg# 236



**DSX750:**  
Media Player Storage..... pg# 144



**MIS995:**  
800mm VESA® Adaptor.....pg# 235



MODELS

Universal Models:

Includes theft resistant hardware for attaching display to mount  
**SS575K** Stand Black

DISPLAY ADAPTOR



VESA® Pattern

Universal Models: 200 x 200 up to 600 x 400mm

SPECIFICATIONS



Tilt

0°, +90°



Max Load

150lb (68.2kg) display  
 25lb (11.4kg) media player

Product Dimensions (W x H x D)

35.00" x 46.12" x 29.00"  
 (889 x 1172 x 737mm)

Mounting Surfaces

All floor surfaces

Ship Weight

61.5lb (27.95kg)

CERTIFICATIONS

**RoHS**

ACCESSORIES



**ACC310:**  
 Feet Accessory..... pg# 235



**ACC316:**  
 Safety Belt..... pg# 235



**ACC320:**  
 Electrical Outlet Strip  
 with Cord Wrap..... pg# 235



**MIS995:**  
 800mm VESA® Adaptor.....pg# 235

SMARTMOUNT.

Universal Kiosk Stand

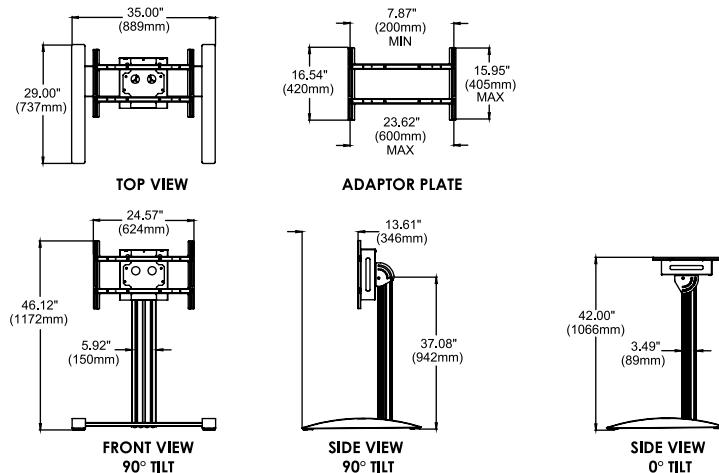
For 32" to 75" Displays and Touch Panels

1. Capable of +90° of tilt for kiosk and interactive applications
2. Secure media player storage below the display with simple access to the device without having to remove the display
3. Accommodates media players up to 3.42" x 12.00" x 11.31" (86 x 304 x 287mm)
4. Cables can enter and exit on either side anywhere along the column and are held in place with a high tech polymer cover
5. Base provides secure placement wherever needed
6. Textured black powder coat finish helps hide finger prints and dust
7. Open frame display adaptor helps prevent display input interference



TECHNICAL DRAWINGS

For expanded product information and technical data visit [peerless-av.com](http://peerless-av.com)



To verify mount compatibility with any display or projector model use MountFinder™ at [peerless-av.com](http://peerless-av.com).



CALL: 630-375-5100  
 800-865-2112



FAX: 630-820-8537  
 800-359-6500



E-MAIL: [info@peerless-av.com](mailto:info@peerless-av.com)



ON-LINE: [peerless-av.com](http://peerless-av.com)



# Flat Panel Floor Stand

For up to 75" Displays

1. VESA® 100, 200 x 100 and 200 x 200mm compliant
2. Supports additional VESA® patterns with additional PLP display adaptor (sold separately)
3. Fits single or back-to-back displays (up to four with additional dual-display cartridge)
4. Portrait or landscape orientation
5. Integrated cable management protects, contains and conceals cables for a clean, professional installation
6. Height adjustable on 72" (1829mm) poles

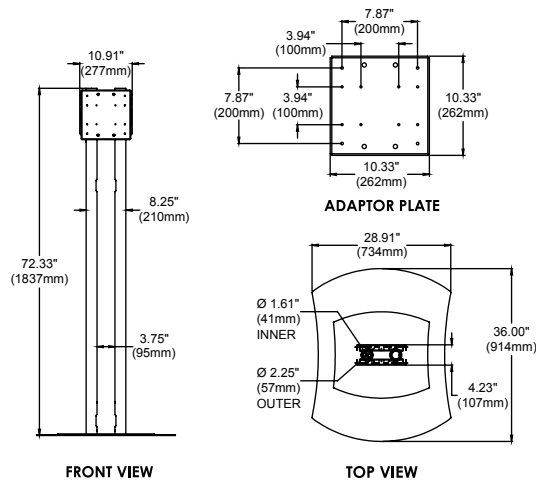


1



For expanded product information and technical data visit [peerless-av.com](http://peerless-av.com)

## TECHNICAL DRAWINGS



To verify mount compatibility with any display or projector model use MountFinder™ at [peerless-av.com](http://peerless-av.com).



CALL: 630-375-5100  
800-865-2112



FAX: 630-820-8537  
800-359-6500



E-MAIL: [info@peerless-av.com](mailto:info@peerless-av.com)



ON-LINE: [peerless-av.com](http://peerless-av.com)

## DISPLAY MOUNTS



### MODELS

#### Universal Models:

Display adaptor purchased separately for non-VESA® displays\*  
Includes theft resistant hardware for attaching display to mount

**FPZ-600** Black

\*Dedicated adaptor plates come in flat black and include security fasteners

### DISPLAY ADAPTOR



#### VESA® Pattern

Universal Models: 100, 200 x 100  
and 200 x 200mm

### SPECIFICATIONS



#### Height Adjustment

On 72" (1829mm) poles



#### Max Load

200lb (90.7kg) per display  
up to four displays

#### Product Dimensions (W x H x D)

28.91" x 72.33" x 36.00"  
(734 x 1837 x 914mm)

#### Mounting Surfaces

All floor surfaces



#### Ship Weight

Box 1: 82.9lb (37.6kg)  
Box 2: 17.6lb (7.9kg)  
Box 3: 17.6lb (7.9kg)

### CERTIFICATIONS

**RoHS**  
2002/95/EC

### ACCESSORIES



**ACC604:**  
Dual-Display Cartridge ..... pg# 235



**ACC325:**  
Accessory Shelf ..... pg# 236



**ACC-DS-VW2X2:**  
Video Wall Conversion Kit ..... pg# 235



**PLP-UNM:**  
Universal I-Shaped Adaptor  
for 22" to 50" Displays ..... pg# 232



**PLP-UNL:**  
Universal I-Shaped Adaptor  
for 32" to 90" Displays ..... pg# 232



**PLP-V models:**  
Dedicated Adaptor Plates ..... pg# 232



**ACC340:**  
Media Player Shelf

Contact Peerless-AV Customer Care  
for more information.



MODELS

Universal Models:

Display adaptor purchased separately for non-VESA® displays\* Includes theft resistant hardware for attaching display to mount

**FPZ-670** Black

\* Dedicated adaptor plates come in flat black and include security fasteners

DISPLAY ADAPTOR



VESA® Pattern

Universal Models: 200 x 200mm

SPECIFICATIONS



Height Adjustment

On 72" (1829mm) poles



Max Load

400lb (181.4kg) total  
200lb (90.7kg) per display  
up to two displays

Product Dimensions (W x H x D)

39.94" x 72.33" x 48.00"  
(1015 x 1837 x 1219mm)

Mounting Surfaces

All floor surfaces

Ship Weight

Box 1: 165lb (74.8kg)  
Box 2: 17.6lb (7.9kg)  
Box 3: 17.6lb (7.9kg)

CERTIFICATIONS



ACCESSORIES



**MIS735:**  
Dual-Display Cartridge ..... pg# 235



**PLP-UNM:**  
Universal I-Shaped Adaptor  
for 22" to 50" Displays ..... pg# 232



**PLP-UNL:**  
Universal I-Shaped Adaptor  
for 32" to 90" Displays ..... pg# 232



**PLP-V models:**  
Dedicated Adaptor Plates ..... pg# 232

**ACC-M1015:**  
Required for PLP-UNM  
or PLP-UNL attachment

Contact Peerless-AV Customer Care  
for more information.

# Flat Panel Floor Stand

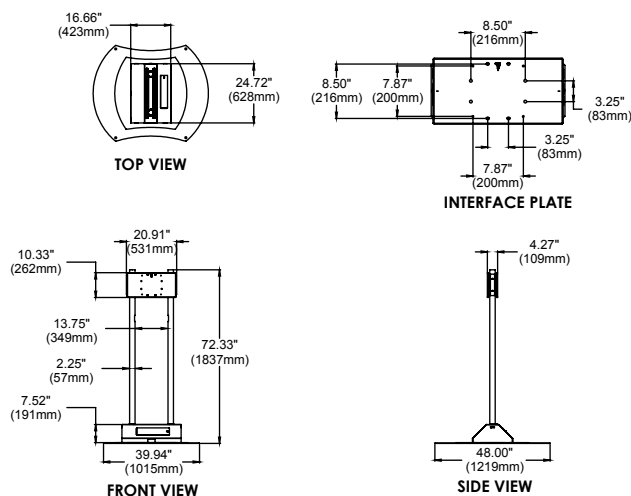
For up to 90" Displays

1. VESA® 200 x 200mm compliant
2. Supports additional VESA® patterns with additional PLP display adaptor (sold separately)
3. Internal cable management to easily route cables from the display to the base of the stand
4. Base cover is designed to conceal content drivers and surge protector
5. Hook-on design allows display to rest in place while display is being secured
6. Portrait or landscape orientation



TECHNICAL DRAWINGS

For expanded product information and technical data visit [peerless-av.com](http://peerless-av.com)



To verify mount compatibility with any display or projector model use MountFinder™ at [peerless-av.com](http://peerless-av.com).



CALL: 630-375-5100  
800-865-2112



FAX: 630-820-8537  
800-359-6500



E-MAIL: [info@peerless-av.com](mailto:info@peerless-av.com)



ON-LINE: [peerless-av.com](http://peerless-av.com)

# Flat Panel Pedestal Stand

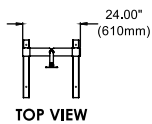
For up to 30" Displays

1. VESA® 75 and 100mm compliant
2. Adjustable height from 60.90" to 80.00" (1547-2032mm)
3. Feet can move inward along pole if required
4. 180° of swivel at the head (up to 90° on each side)
5. Can be used freestanding up to 25lb (11kg) or bolted down up to 40lb (18kg)
6. Comes with hardware to bolt to concrete flooring

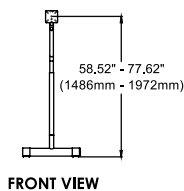


For expanded product information and technical data visit [peerless-av.com](http://peerless-av.com)

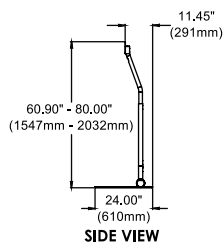
## TECHNICAL DRAWINGS



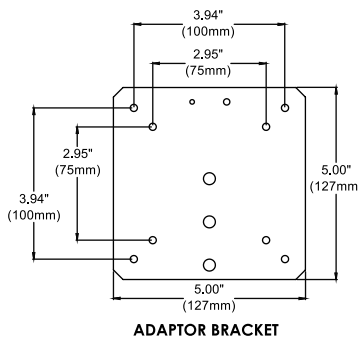
TOP VIEW



FRONT VIEW



SIDE VIEW



ADAPTOR BRACKET

To verify mount compatibility with any display or projector model use MountFinder™ at [peerless-av.com](http://peerless-av.com).



CALL: 630-375-5100  
800-865-2112



FAX: 630-820-8537  
800-359-6500



E-MAIL: [info@peerless-av.com](mailto:info@peerless-av.com)



ON-LINE: [peerless-av.com](http://peerless-av.com)

## DISPLAY MOUNTS



### MODELS

#### Universal Models:

Includes standard hardware (hex or Phillips) for attaching display to mount

**LCFS-100**  
**LCFS-100S**

Black  
Silver

### DISPLAY ADAPTOR



#### VESA® Pattern

Universal Models: 75 and 100mm

### SPECIFICATIONS



#### Height Adjustment

60.90"-80.00" (1547-2032mm)



#### Swivel

±90°



#### Max Load

Freestanding: 25lb (11kg)  
Bolted down: 40lb (18kg)

#### Product Dimensions (W x H x D)

24.00" x 60.90"-80.00" x 24.00"  
(610 x 1547-2032 x 610mm)

#### Mounting Surfaces

All floor surfaces

#### Ship Weight

26 lb (11.8kg)

### CERTIFICATIONS

**RoHS**  
REACH

### ACCESSORIES



#### PLP-UNM:

Universal I-Shaped Adaptor for 22" to 50" Displays ..... pg# 232



# Flat Panel Pedestal Mount

For up to 75" Displays

## MODELS

### Dedicated Models:

Display adaptor purchased separately\*  
Includes theft resistant hardware for attaching display to mount


<b>COL510P</b>	5 feet	Black
<b>COL610P</b>	6 feet	Black
<b>COL710P</b>	7 feet	Black
<b>COL810P</b>	8 feet	Black


\* Dedicated adaptor plates come in flat black and include security fasteners

## DISPLAY ADAPTOR

**Dedicated Models:** Require display-specific adaptor to be purchased separately


## SPECIFICATIONS

	<b>Tilt   Swivel</b>
	+15°, 360°

	<b>Max load</b>
	150lb (68kg)

<b>Product Dimensions</b>	<b>(W x H x D)</b>
<b>COL510P:</b>	15.00" x 68.15" x 14.48" (381 x 1731 x 368mm)
<b>COL610P:</b>	15.00" x 80.15" x 14.48" (381 x 2036 x 368mm)
<b>COL710P:</b>	15.00" x 92.15" x 14.48" (381 x 2341 x 368mm)
<b>COL810P:</b>	15.00" x 104.15" x 14.48" (381 x 2645 x 368mm)




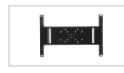
<b>Mounting Surfaces</b>	Concrete
--------------------------	----------

	<b>Ship Weight</b>
<b>COL510P:</b>	<b>Box 1:</b> 16.40lb (7.42kg) <b>Box 2:</b> 25.20lb (11.44kg)
<b>COL610P:</b>	<b>Box 1:</b> 19.15lb (8.65kg) <b>Box 2:</b> 25.20lb (11.44kg)
<b>COL710P:</b>	<b>Box 1:</b> 23.25lb (11.50kg) <b>Box 2:</b> 25.20lb (11.44kg)
<b>COL810P:</b>	<b>Box 1:</b> 26.15lb (11.86kg) <b>Box 2:</b> 25.20lb (11.44kg)

## CERTIFICATIONS

**RoHS**  
2002/95/EC

## ACCESSORIES

-  **ACC833:** Equipment Accessory Shelf ... pg# 236
-  **PLP-UNM:** Universal I-Shaped Adaptor for 22" to 50" Displays ..... pg# 232
-  **PLP-UNL:** Universal I-Shaped Adaptor for 32" to 90" Displays ..... pg# 232
-  **PLP-V models:** Dedicated Adaptor Plates ..... pg# 232
- ACC-M1015:** Required for PLP-UNM or PLP-UNL attachment

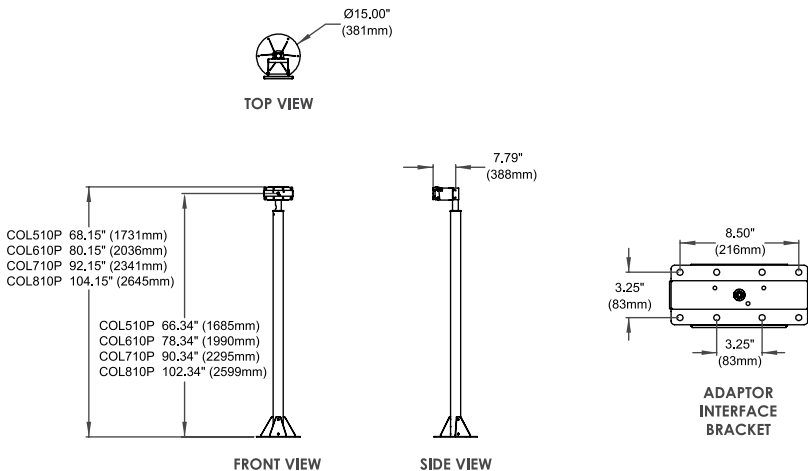
Contact Peerless-AV Customer Care for more information.

1. Choice of 5', 6', 7' or 8' pedestal height
2. 15° forward tilt for viewing flexibility
3. 360° swivel
4. Display can be changed from landscape to portrait orientation without removing the display
5. Internal cable management
6. Concrete floor anchors included



## TECHNICAL DRAWINGS

For expanded product information and technical data visit [peerless-av.com](http://peerless-av.com)



To verify mount compatibility with any display or projector model use MountFinder™ at [peerless-av.com](http://peerless-av.com).



CALL: 630-375-5100  
800-865-2112



FAX: 630-820-8537  
800-359-6500



E-MAIL: [info@peerless-av.com](mailto:info@peerless-av.com)



ON-LINE: [peerless-av.com](http://peerless-av.com)

# Display Base Lock-down Security Kits

For select display base stands and VESA® compliant displays

## HLC-KIT(-Q10)

1. Compliant with all VESA® mounting hole patterns
2. Secures to virtually any wood surface
3. Neck security fasteners included for securing TV to base stand



HLC-KIT(-Q10)

## ACSTA1-US

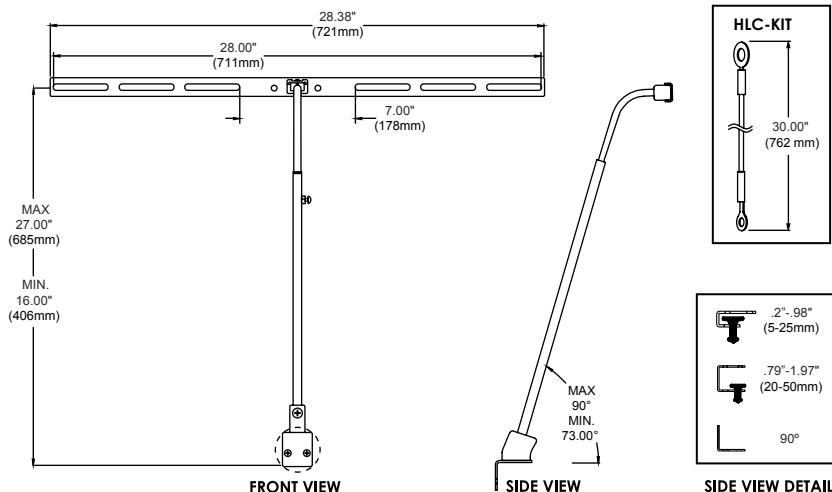
1. All-in-one universal mounting solution for securing TVs in the home
2. Securely positions TV to prevent accidental tipping forward or backward
3. Sleek design fits any environment with swivel for the perfect viewing angle
4. Rigidly clamps to all types of furniture or can be screwed directly to a wall or TV cabinet offering flexibility in TV placement options
5. Built-in telescoping height adjustment fits a full range of LCD and plasma TVs up to 60"
6. Rotational mounting plate allows TV to swivel while remaining securely fastened to prevent tipping



ACSTA1-US

For expanded product information and technical data visit [peerless-av.com](http://peerless-av.com)

## TECHNICAL DRAWINGS



## MODELS

### Universal Models:

Includes theft resistant hardware for attaching display to mount

<b>HLC-KIT</b>	Black
<b>HLC-KIT-Q10</b> (10-pack)	Black
<b>ACSTA1-US</b> 32" to 60" Displays	Black

## DISPLAY ADAPTOR



### VESA® Pattern

Universal Models:

ACSTA1-US: Up to 700mm

## SPECIFICATIONS



### Max Load

HLC-KIT(-Q10):	100lb (45.3kg)
ACSTA1-US:	132lb (60kg)

### Product Dimensions (W x H x D)

HLC-KIT(-Q10):	30.00" (762mm)
ACSTA1-US:	28.38" x 27.00" (721 x 685mm)

### Mounting Surfaces

HLC-KIT(-Q10):	Wood surface
ACSTA1-US:	6mm or thicker tempered glass or 19-50mm wooden furniture; wood stud, concrete, cinder/breeze block wall

### Ship Weight

HLC-KIT:	0.6lb (.27kg)
HLC-KIT-Q10:	4lb (1.81kg)
ACSTA1-US:	3lb (1.36kg)

## CERTIFICATIONS

**RoHS**  
2002/95/EC

To verify mount compatibility with any display or projector model use MountFinder™ at [peerless-av.com](http://peerless-av.com).



CALL: 630-375-5100  
800-865-2112



FAX: 630-820-8537  
800-359-6500



E-MAIL: [info@peerless-av.com](mailto:info@peerless-av.com)



ON-LINE: [peerless-av.com](http://peerless-av.com)



MODELS

Universal Models:

Includes theft resistant hardware for attaching display to mount

**HP432-002** Black

DISPLAY ADAPTOR



VESA® Pattern

Universal Models: 100 x 100, 200 x 100 or 200 x 200mm

SPECIFICATIONS



Height Adjustment

16.04"-21.76" (407-553mm)  
From the desktop to top mounting hole.



Swivel

±30°



Max Load

80lb (36.4kg)

Product Dimensions (W x H x D)

8.75" x 22.50" x 4.00"  
(222 x 572 x 102mm)

Mounting Surfaces

Desktop

Ship Weight

6.7lb (3kg)

CERTIFICATIONS



# Desktop Swivel Mount

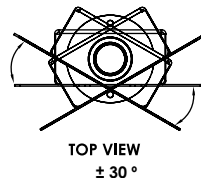
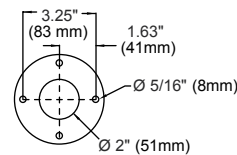
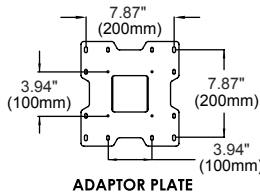
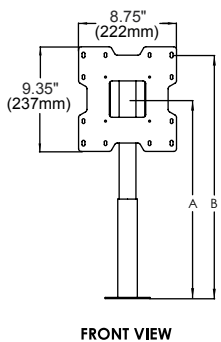
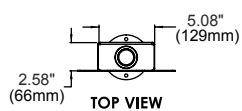
For 26" to 37" Displays

1. Built-in 60° maximum swivel, 30° each side allows for a variety of viewing angles
2. Base stand plate bolts down for safety and security
3. Adjustable height allows one mount to accommodate a variety of screens
4. Built in adaptor plate is VESA® 200 x 200, 200 x 100, 100 x 200 and 100mm compatible
5. Security screws prevent tampering and theft



TECHNICAL DRAWINGS

For expanded product information and technical data visit [peerless-av.com](http://peerless-av.com)



DIMENSION	MINIMUM	MAXIMUM
A	12.11" (308mm)	17.83" (453mm)
B	16.04" (407mm)	21.76" (553mm)
C	16.78" (426mm)	22.50" (572mm)
D	15.17" (385mm)	20.89" (531mm)

To verify mount compatibility with any display or projector model use MountFinder™ at [peerless-av.com](http://peerless-av.com).



CALL: 630-375-5100  
800-865-2112



FAX: 630-820-8537  
800-359-6500



E-MAIL: [info@peerless-av.com](mailto:info@peerless-av.com)

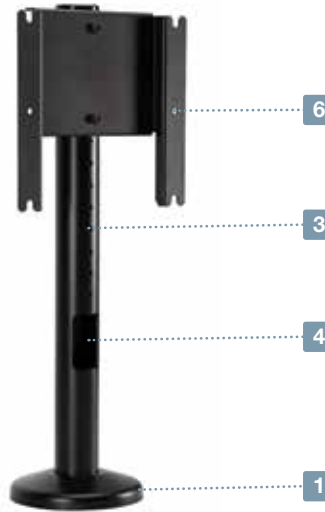


ON-LINE: [peerless-av.com](http://peerless-av.com)

# Desktop Swivel Mount

For 32" to 47" Displays

1. Built-in swivel up to 360° allows for optimum viewing angle
2. Base stand bolts down for safety and security
3. Adjustable height allows for greater flexibility
4. Cable management internally through the mount and down through the mounting surface
5. Decorative base is aesthetically pleasing and hides desktop mounting hardware
6. Built in adaptor plate is VESA® 200 x 100 and 200 x 200mm compliant
7. Increased depth adaptor plate allows for the jack pack protrusion on the backside of the TV
8. Security screws prevent tampering and theft



## MODELS

### Universal Models:

Includes theft resistant hardware for attaching display to mount

**HP447** Black

## DISPLAY ADAPTOR



### VESA® Pattern

Universal Models: 200 x 100, 200 x 200mm

## SPECIFICATIONS



### Height Adjustment

13.45"-24.66" (342-626mm)  
From the desktop to top mounting hole.



### Swivel

360° of swivel with stops at 0°, ±20°, ±30°, ±60°, ±90°, 210° and 240°



### Max Load

75lb (34.1kg)

### Product Dimensions (W x H x D)

9.04" x 21.87" x 6.00"  
(230 x 556 x 152mm)

### Mounting Surfaces

Desktop

### Ship Weight

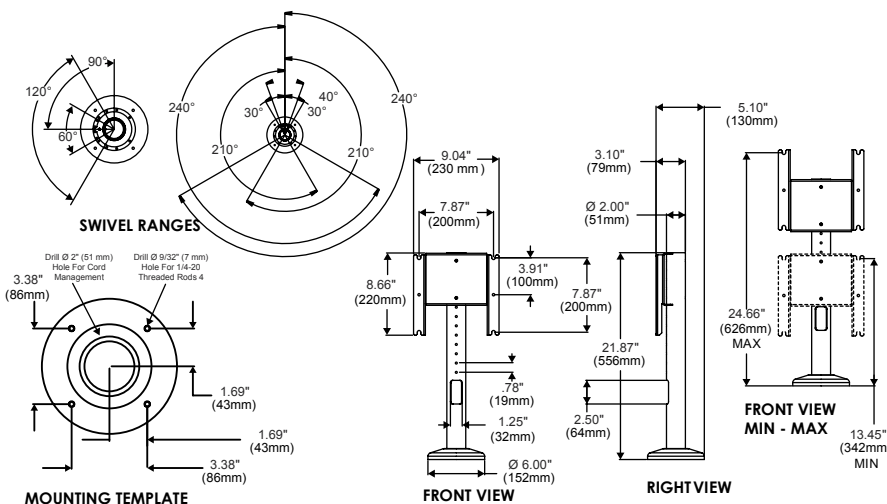
11.7lb (5.3kg)

## CERTIFICATIONS



For expanded product information and technical data visit [peerless-av.com](http://peerless-av.com)

## TECHNICAL DRAWINGS



To verify mount compatibility with any display or projector model use MountFinder™ at [peerless-av.com](http://peerless-av.com).



CALL: 630-375-5100  
800-865-2112



FAX: 630-820-8537  
800-359-6500



E-MAIL: [info@peerless-av.com](mailto:info@peerless-av.com)



ON-LINE: [peerless-av.com](http://peerless-av.com)



MODELS

Universal Models:

Includes theft resistant hardware for attaching display to mount

**HP455** Black

DISPLAY ADAPTOR



VESA® Pattern

Universal Models: 200 x 200, 400 x 200, 300 x 300 and 400 x 400mm

SPECIFICATIONS



Height Adjustment

19.55"-26.44" (497-672mm)  
From the desktop to top mounting hole.



Swivel

360° of swivel with stops at 0°, ±20°, ±30°, ±60°, ±90°, 210° and 240°



Max Load

75lb (34.1kg)

Product Dimensions (W x H x D)

17.00" x 27.00" x 6.00"  
(432 x 686 x 152mm)

Mounting Surfaces

Desktop

Ship Weight

11lb (5kg)

CERTIFICATIONS



# Desktop Swivel Mount

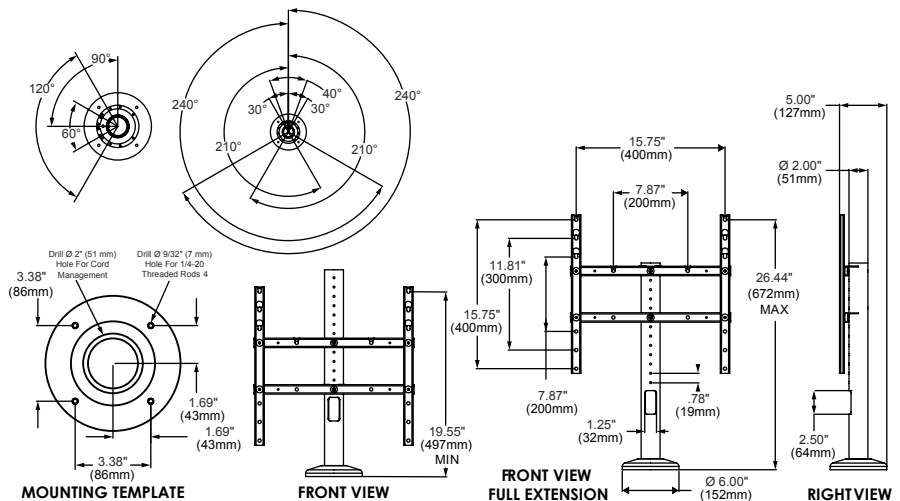
For 32" to 55" Displays

1. Built-in swivel up to 360° allows for optimum viewing angle
2. Base bolts down for safety and security
3. Adjustable height allows for greater flexibility
4. Cable management internally through the mount and down through the mounting surface
5. Decorative base is aesthetically pleasing and hides desktop mounting hardware
6. Built in VESA® adaptor plate
7. Includes security hardware that helps deter tampering and theft



TECHNICAL DRAWINGS

For expanded product information and technical data visit [peerless-av.com](http://peerless-av.com)



To verify mount compatibility with any display or projector model use MountFinder™ at [peerless-av.com](http://peerless-av.com).



CALL: 630-375-5100  
800-865-2112



FAX: 630-820-8537  
800-359-6500



E-MAIL: [info@peerless-av.com](mailto:info@peerless-av.com)



ON-LINE: [peerless-av.com](http://peerless-av.com)

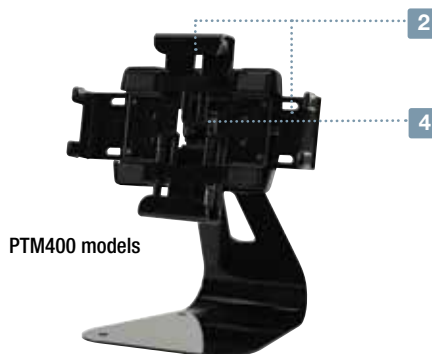


# Universal Desktop Tablet Mount & Universal Tablet Cradle

For Tablets less than 0.75" (19mm) deep

## PTM400 models

1. Cradle provides adjustable height and width, providing a universal fit for most tablets
2. Stylish cover for complementary aesthetics
3.  $\pm 30^\circ$  of One-Touch™ tilt and swivel
4.  $360^\circ$  of roll for versatile placement options
5. Option to place on desk or secure down with theft resistant security screws
6. Two color options available for coordinating with tablet aesthetics



PTM400 models

## PTM200 models

1. Cradle provides adjustable height and width, providing a universal fit for most tablets
2. Easily attaches to any 75 x 75mm VESA® mount
3. Stylish cover for complementary aesthetics
4. Theft-resistant security kit available



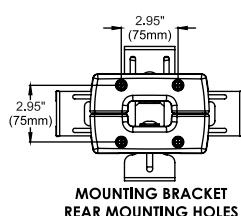
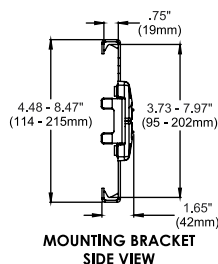
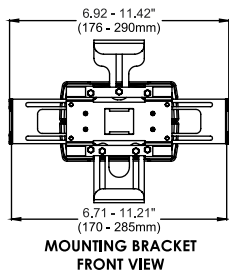
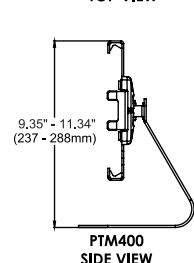
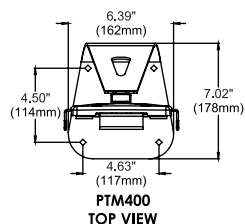
PTM200 models

Note: Tablet and wall mount not included

Please visit [peerless-av.com/en-us/patents](http://peerless-av.com/en-us/patents) for patent information.

For expanded product information and technical data visit [peerless-av.com](http://peerless-av.com)

## TECHNICAL DRAWINGS



## MODELS

### Universal Models:

Includes theft resistant hardware for attaching tablet to mount

**PTM400S\*** Black  
**PTM400S-W\*** White

Includes standard hardware (hex or Phillips) for attaching display to mount

**PTM200\*** Black  
**PTM400\*** Black  
**PTM400-W\*** White

\* Designed for use with tablets that are less than 0.75" (19mm) deep

## DISPLAY ADAPTOR



### VESA® Pattern

PTM200 models: 75 x 75mm

## SPECIFICATIONS



### Tilt | Swivel | Roll

PTM400 models:  $\pm 30^\circ$  |  $\pm 30^\circ$  |  $\pm 360^\circ$



### Max Load

5lb (2.3kg)



### Landscape to Portrait

PTM400 models: Tablet can be rotated from landscape to portrait without removing the tablet

### Product Dimensions (W x H x D)

PTM200 models: 6.92"-11.42" x 4.48"-8.47" x 1.65"  
(176-290 x 114-215 x 42mm)

PTM400 models: 6.71"-11.21" x 9.35"-11.34" x 7.02"  
(170-285 x 237-288 x 178mm)

### Mounting Surfaces

PTM200 models: Any 75 x 75mm VESA® mount

PTM400 models: Desktop

## ACCESSORIES



### ACC954:

Theft Resistant Security Kit .... pg# 234



### PTM200 models accessories:

#### SF630 models:

SmartMount® Universal Flat Wall Mount ..... pg# 85



#### ST630 models:

SmartMount® Universal Tilt Wall Mount ..... pg# 92



#### SP730:

SmartMount® Pivoting Wall Mount ..... pg# 101



#### PP730:

Paramount™ Pivoting Wall Mount ..... pg# 122



#### SA730P:

SmartMount® Articulating Wall Mount ..... pg# 108



#### PA730:

Paramount™ Articulating Wall Mount ..... pg# 124



#### LCT models:

Desktop Mounts ..... pg# 183-188

To verify mount compatibility with any display or projector model use MountFinder™ at [peerless-av.com](http://peerless-av.com).



CALL: 630-375-5100  
800-865-2112



FAX: 630-820-8537  
800-359-6500



E-MAIL: [info@peerless-av.com](mailto:info@peerless-av.com)



ON-LINE: [peerless-av.com](http://peerless-av.com)



MODELS

Dedicated Models:

Includes theft resistant hardware for attaching tablet to mount

<b>PTS510I</b>	Black
<b>PTS510I-S</b>	Silver
<b>PTS510I-W</b>	White

SPECIFICATIONS



Max Load

5lb (2.3kg)



Landscape to Portrait

Tablet can be rotated from landscape to portrait without removing the tablet

Product Dimensions (W x H x D)

11.50" x 49.36" x 11.50"  
(292 x 1254 x 292mm)

Mounting Surfaces

All floor surfaces

Ship Weight

38lb (17.3kg)

CERTIFICATIONS



# Kiosk Floor Stand

For iPad® Tablets

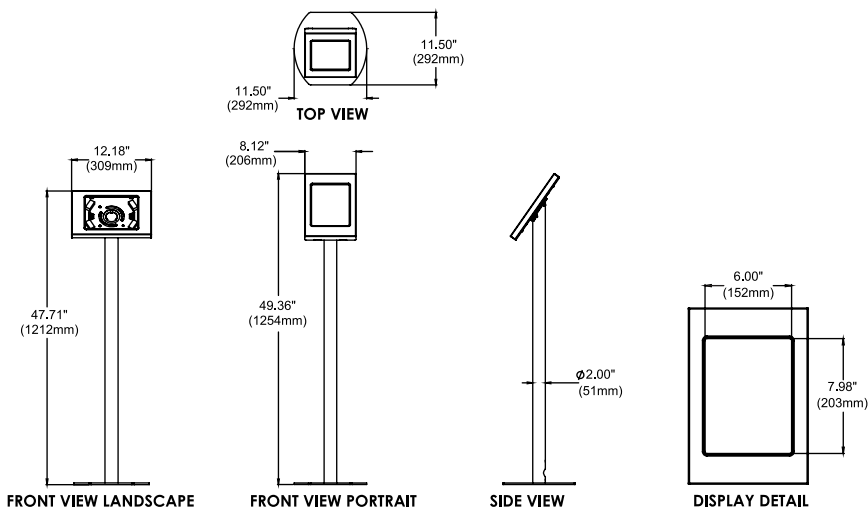
1. Optimized for tablets such as the iPad2, iPad3, or iPad with Retina display
2. Quickly rotates from landscape to portrait with the release of the spring pin
3. Internal cable management creates an aesthetically pleasing appearance
4. Cable management options include routing through the base or through the rear bottom of the pole
5. Socket pin security screws keep the tablet secured within the enclosure
6. Base can be free standing or bolted to the floor to increase security



Note: Tablet not included

TECHNICAL DRAWINGS

For expanded product information and technical data visit [peerless-av.com](http://peerless-av.com)



To verify mount compatibility with any display or projector model use MountFinder™ at [peerless-av.com](http://peerless-av.com).



CALL: 630-375-5100  
800-865-2112



FAX: 630-820-8537  
800-359-6500



E-MAIL: [info@peerless-av.com](mailto:info@peerless-av.com)



ON-LINE: [peerless-av.com](http://peerless-av.com)

# Monitor Desktop Stand

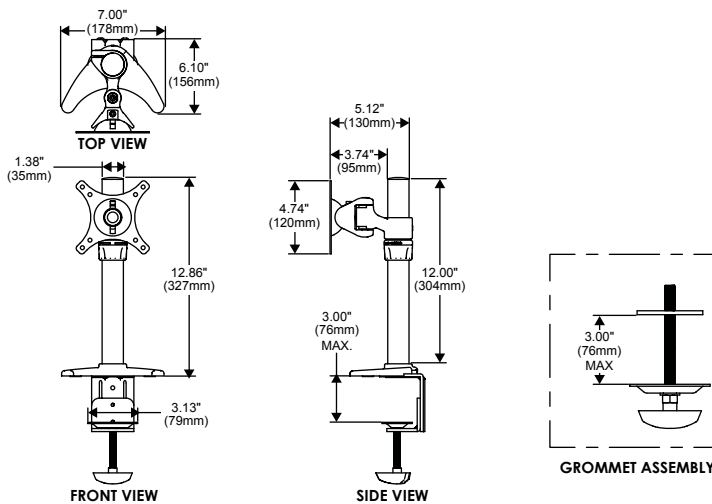
For up to 29" Monitors

1. Desk clamp and grommet mount option
2. Aluminum post provides sturdy and durable support
3. Height adjustment up to 12.6" (320mm)
4. Cable management clips to help keep cables organized



For expanded product information and technical data visit [peerless-av.com](http://peerless-av.com)

## TECHNICAL DRAWINGS



## DISPLAY MOUNTS



### MODELS

#### Universal Models:

Includes standard hardware (hex or Phillips) for attaching display to mount

**LCT100S** Black

### DISPLAY ADAPTOR



VESA® Pattern

Universal Models: 75 and 100mm

### SPECIFICATIONS



Tilt | Swivel

±40° | 180°



Max Load

20lb (9kg)

Product Dimensions (W x H x D)

7.00" x 16.00" x 6.10"  
 (178 x 406 x 156mm)

Mounting Surfaces

Desktop

Ship Weight

6.2lb (2.8kg)

### CERTIFICATIONS

**RoHS**  
2002/95/EC

### ACCESSORIES



**PTM200:**  
 Universal Tablet Cradle ..... pg# 181



**ACC918:**  
 Security Fasteners ..... pg# 234



**ACC450:**  
 VESA® 200 x 200mm  
 Accessory Plate ..... pg# 232

To verify mount compatibility with any display or projector model use MountFinder™ at [peerless-av.com](http://peerless-av.com).



CALL: 630-375-5100  
 800-865-2112



FAX: 630-820-8537  
 800-359-6500



E-MAIL:  
[info@peerless-av.com](mailto:info@peerless-av.com)



ON-LINE:  
[peerless-av.com](http://peerless-av.com)



MODELS

Universal Models:

Includes standard hardware (hex or Phillips) for attaching display to mount

Clamp Base

**LCT620A** Polished aluminum with black base

Grommet Base

**LCT620A-G** Polished aluminum with black base

DISPLAY ADAPTOR



VESA® Pattern

Universal Models: 75 and 100mm

SPECIFICATIONS



Tilt | Swivel | Roll

+45°/-90° | 180° | 360°



Max Load

8.4-17.8lb (3.8-8.1kg) per arm



Landscape to Portrait

Monitor can be rotated from landscape to portrait without removing the monitor

Product Dimensions (W x H x D)

See technical drawing

Mounting Surfaces

Desktop / Counter top

Ship Weight

11.66lb (5.3kg)

CERTIFICATIONS



ACCESSORIES



**PTM200:**  
Universal Tablet Mount ..... pg# 181



**ACC328:**  
Laptop Tray ..... pg# 236



**ACC918:**  
Security Fasteners ..... pg# 234



**ACC450:**  
VESA® 200 x 200mm  
Accessory Plate ..... pg# 232

# Single Monitor Desktop Arm Mount

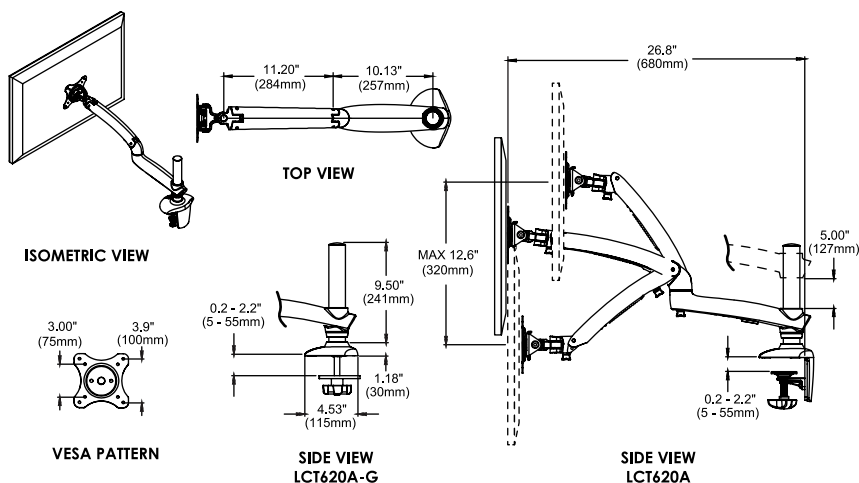
For up to 29" Monitors

1. Arm extends up to 22.00" (559mm) with height adjustment range of 12.60" (320mm)
2. Integrated cable management provides clean, professional installation
3. LCT620A supplied with clamp-on style mounting base
4. LCT620A-G supplied with grommet style mounting base
5. Expertly finished polished aluminum arm provides attractive and durable support



TECHNICAL DRAWINGS

For expanded product information and technical data visit [peerless-av.com](http://peerless-av.com)



To verify mount compatibility with any display or projector model use MountFinder™ at [peerless-av.com](http://peerless-av.com).



CALL: 630-375-5100  
800-865-2112



FAX: 630-820-8537  
800-359-6500



E-MAIL: [info@peerless-av.com](mailto:info@peerless-av.com)



ON-LINE: [peerless-av.com](http://peerless-av.com)

# Dual Monitor Desktop Arm Mount

For up to 29" Monitors

1. Arms extend up to 22.00" (559mm) with height adjustment range of 12.60" (320mm)
2. Integrated cable management provides clean, professional installation
3. LCT620AD supplied with clamp-on style mounting base
4. LCT620AD-G supplied with grommet style mounting base
5. Expertly finished polished aluminum arms provide attractive and durable support



## MODELS

### Universal Models:

- Includes standard hardware (hex or Phillips) for attaching display to mount
- Clamp Base  
**LCT620AD** Polished aluminum with black base
- Grommet Base  
**LCT620AD-G** Polished aluminum with black base

## DISPLAY ADAPTOR



### VESA® Pattern

Universal Models: 75 and 100mm

## SPECIFICATIONS



Tilt | Swivel | Roll

+45°/90° | 180° | 360°



Max Load

8.4-17.8lb (3.8-8.1kg) per arm



Landscape to Portrait

Monitor can be rotated from landscape to portrait without removing the monitor

Product Dimensions (W x H x D)

See technical drawing

Mounting Surfaces

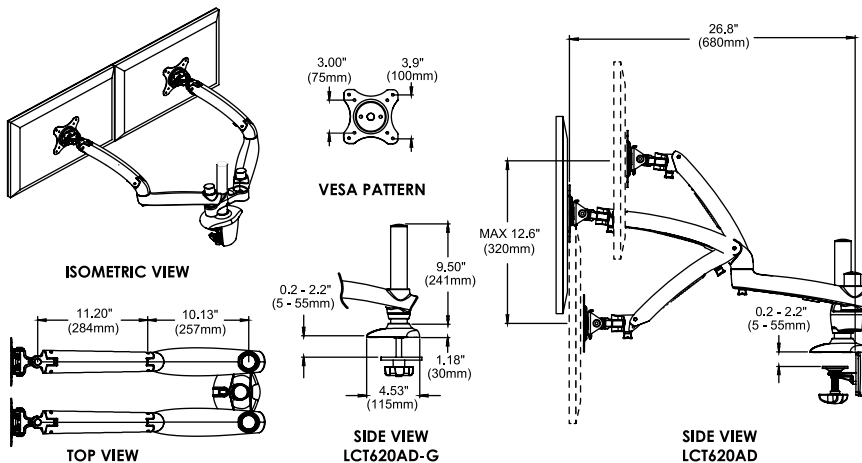
Desktop / Counter top

Ship Weight

20.90lb (9.5kg)

For expanded product information and technical data visit [peerless-av.com](http://peerless-av.com)

## TECHNICAL DRAWINGS



## CERTIFICATIONS



## ACCESSORIES



**PTM200:**  
Universal Tablet Mount ..... pg# 181



**ACC328:**  
Laptop Tray ..... pg# 236



**ACC918:**  
Security Fasteners ..... pg# 234



**ACC450:**  
VESA® 200 x 200mm  
Accessory Plate ..... pg# 232

To verify mount compatibility with any display or projector model use MountFinder™ at [peerless-av.com](http://peerless-av.com).



CALL: 630-375-5100  
800-865-2112



FAX: 630-820-8537  
800-359-6500



E-MAIL:  
[info@peerless-av.com](mailto:info@peerless-av.com)



ON-LINE:  
[peerless-av.com](http://peerless-av.com)



MODELS

Universal Models:

Includes standard hardware (hex or Phillips) for attaching display to mount  
**Grommet Base**  
**LCT620AT-G** Polished aluminum with black base

DISPLAY ADAPTOR



VESA® Pattern

Universal Models: 75 and 100mm

SPECIFICATIONS



Tilt | Swivel | Roll

+45°/-90° | 180° | 360°



Max Load

8.4-17.8lb (3.8-8.1kg) per arm



Landscape to Portrait

Monitor can be rotated from landscape to portrait without removing the monitor

Product Dimensions (W x H x D)

See technical drawing

Mounting Surfaces

Desktop / Counter top

Ship Weight

30.36lb (13.8kg)

CERTIFICATIONS



ACCESSORIES



**PTM200:**  
 Universal Tablet Mount ..... pg# 181



**ACC328:**  
 Laptop Tray ..... pg# 236



**ACC918:**  
 Security Fasteners ..... pg# 234



**ACC450:**  
 VESA® 200 x 200mm  
 Accessory Plate ..... pg# 232

# Triple Monitor Desktop Arm Mount

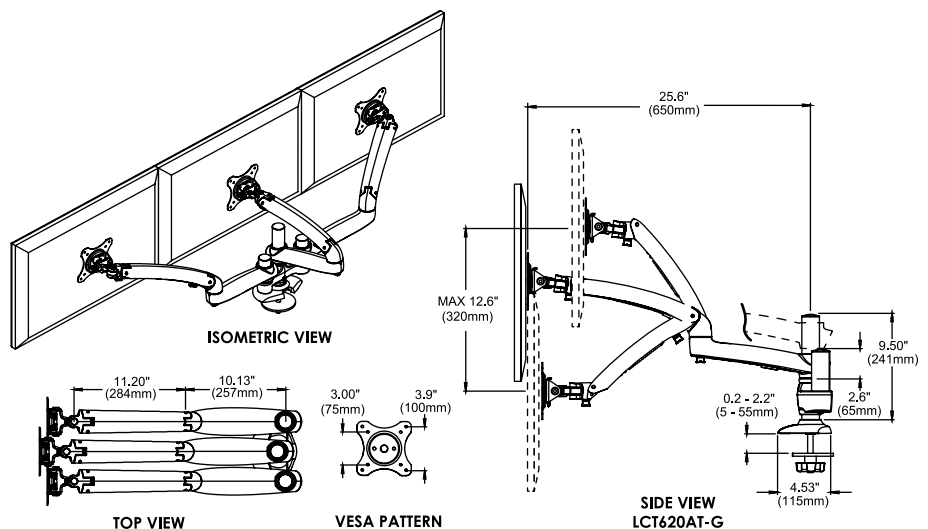
For up to 24" Monitors

1. Arms extend up to 22.00" (559mm) with height adjustment range of 12.60" (320mm)
2. Integrated cable management provides clean, professional installation
3. Grommet mounting
4. Expertly finished polished aluminum arms provide attractive and durable support



TECHNICAL DRAWINGS

For expanded product information and technical data visit [peerless-av.com](http://peerless-av.com)



To verify mount compatibility with any display or projector model use MountFinder™ at [peerless-av.com](http://peerless-av.com).



CALL: 630-375-5100  
 800-865-2112



FAX: 630-820-8537  
 800-359-6500



E-MAIL: [info@peerless-av.com](mailto:info@peerless-av.com)



ON-LINE: [peerless-av.com](http://peerless-av.com)

# Quad Monitor Desktop Arm Mount

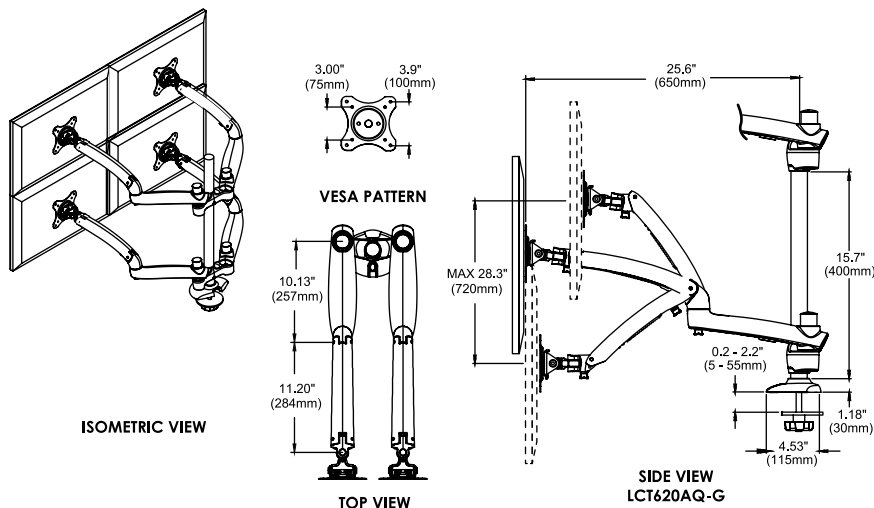
For up to 24" Monitors

1. Arms extend up to 22.00" (559mm) with height adjustment range of 12.60" (320mm)
2. Integrated cable management provides clean, professional installation
3. Grommet mounting
4. Expertly finished polished aluminum arms provide attractive and durable support



For expanded product information and technical data visit [peerless-av.com](http://peerless-av.com)

## TECHNICAL DRAWINGS



## MODELS

### Universal Models:

Includes standard hardware (hex or Phillips) for attaching display to mount  
 Grommet Base  
**LCT620AQ-G** Quad Polished aluminum with black base

## DISPLAY ADAPTOR



### VESA® Pattern

Universal Models: 75 and 100mm

## SPECIFICATIONS



### Tilt | Swivel | Roll

+45°/90° | 180° | 360°



### Max Load

8.4-17.8lb (3.8-8.1kg) per arm



### Landscape to Portrait

Monitor can be rotated from landscape to portrait without removing the monitor

### Product Dimensions (W x H x D)

See technical drawing

### Mounting Surfaces

Desktop / Counter top

### Ship Weight

39.60lb (18kg)

## CERTIFICATIONS



## ACCESSORIES



**PTM200:**  
Universal Tablet Mount ..... pg# 181



**ACC328:**  
Laptop Tray ..... pg# 236



**ACC918:**  
Security Fasteners ..... pg# 234



**ACC450:**  
VESA® 200 x 200mm  
Accessory Plate ..... pg# 232

To verify mount compatibility with any display or projector model use MountFinder™ at [peerless-av.com](http://peerless-av.com).



CALL: 630-375-5100  
800-865-2112



FAX: 630-820-8537  
800-359-6500



E-MAIL:  
[info@peerless-av.com](mailto:info@peerless-av.com)



ON-LINE:  
[peerless-av.com](http://peerless-av.com)



MODELS

Universal Models:

Includes standard hardware (hex or Phillips) for attaching display to mount

Wall Mounted

**LCW620A**

Single Polished aluminum with black base

**LCW620AD**

Dual Polished aluminum with black base

DISPLAY ADAPTOR



VESA® Pattern

Universal Models: 75 and 100mm

SPECIFICATIONS



Distance from Wall

See technical drawing



Tilt | Swivel | Roll

+45°/-90° | 180° | 360°



Max Load

8.4-17.8lb (3.8-8.1kg) per arm



Landscape to Portrait

Monitor can be rotated from landscape to portrait without removing the monitor

Product Dimensions (W x H x D)

See technical drawing

Mounting Surfaces

Wood, Concrete, Cinder Block or Breeze Block

Ship Weight

LCW620A: 9.46lb (4.3kg)

LCW620AD: 18.70lb (8.5kg)

CERTIFICATIONS



ACCESSORIES



**PTM200:** Universal Tablet Mount ..... pg# 181



**ACC328:** Laptop Tray ..... pg# 236



**ACC918:** Security Fasteners ..... pg# 234



**ACC450:** VESA® 200 x 200mm Accessory Plate ..... pg# 232

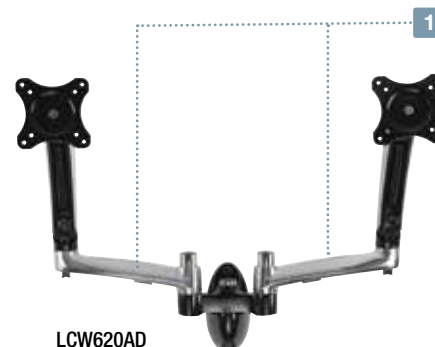
# Single & Dual Wall Mounted Desktop Arm

For up to 29" Monitors

1. Arms extend up to 22.0" (559mm) with height adjustment range of 12.60" (320mm)
2. Integrated cable management provides clean, professional installation finish
3. Expertly finished polished aluminum arms provide attractive and durable support



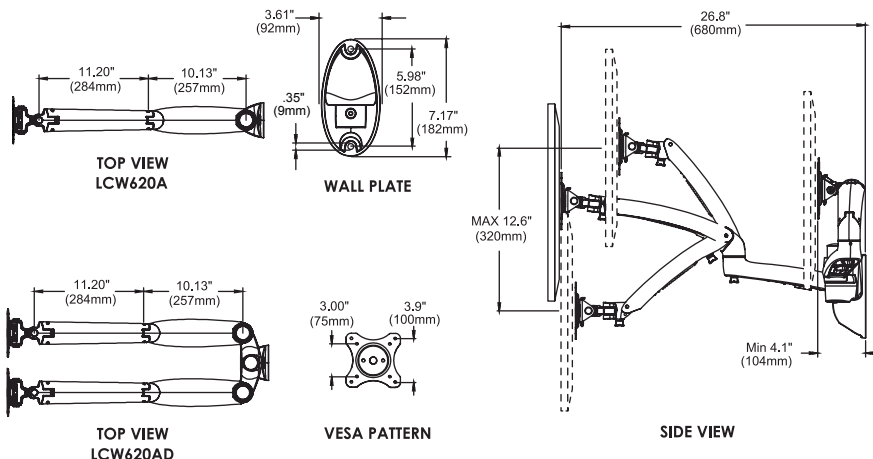
LCW620A



LCW620AD

TECHNICAL DRAWINGS

For expanded product information and technical data visit [peerless-av.com](http://peerless-av.com)



To verify mount compatibility with any display or projector model use MountFinder™ at [peerless-av.com](http://peerless-av.com).



CALL: 630-375-5100  
800-865-2112



FAX: 630-820-8537  
800-359-6500



E-MAIL: [info@peerless-av.com](mailto:info@peerless-av.com)



ON-LINE: [peerless-av.com](http://peerless-av.com)



## **Set-up and Maintenance is Made Easy with Peerless-AV's PJF3-UNV**



- Quick release mechanism allows for easy serviceability
- Internal cable management conceals cables for clean, professional installation
- Tool-less height and image adjustment allows for quick setup and simple maintenance

Peerless-AV's PJF3 Projector Mount is loaded with an array of new features to enhance your viewing experience. With three extension lengths you can rest assured you are getting the best viewing angle. **Learn more on page 195.**

## **Transform Your Learning Environment with Peerless-AV's IWB600 Series**

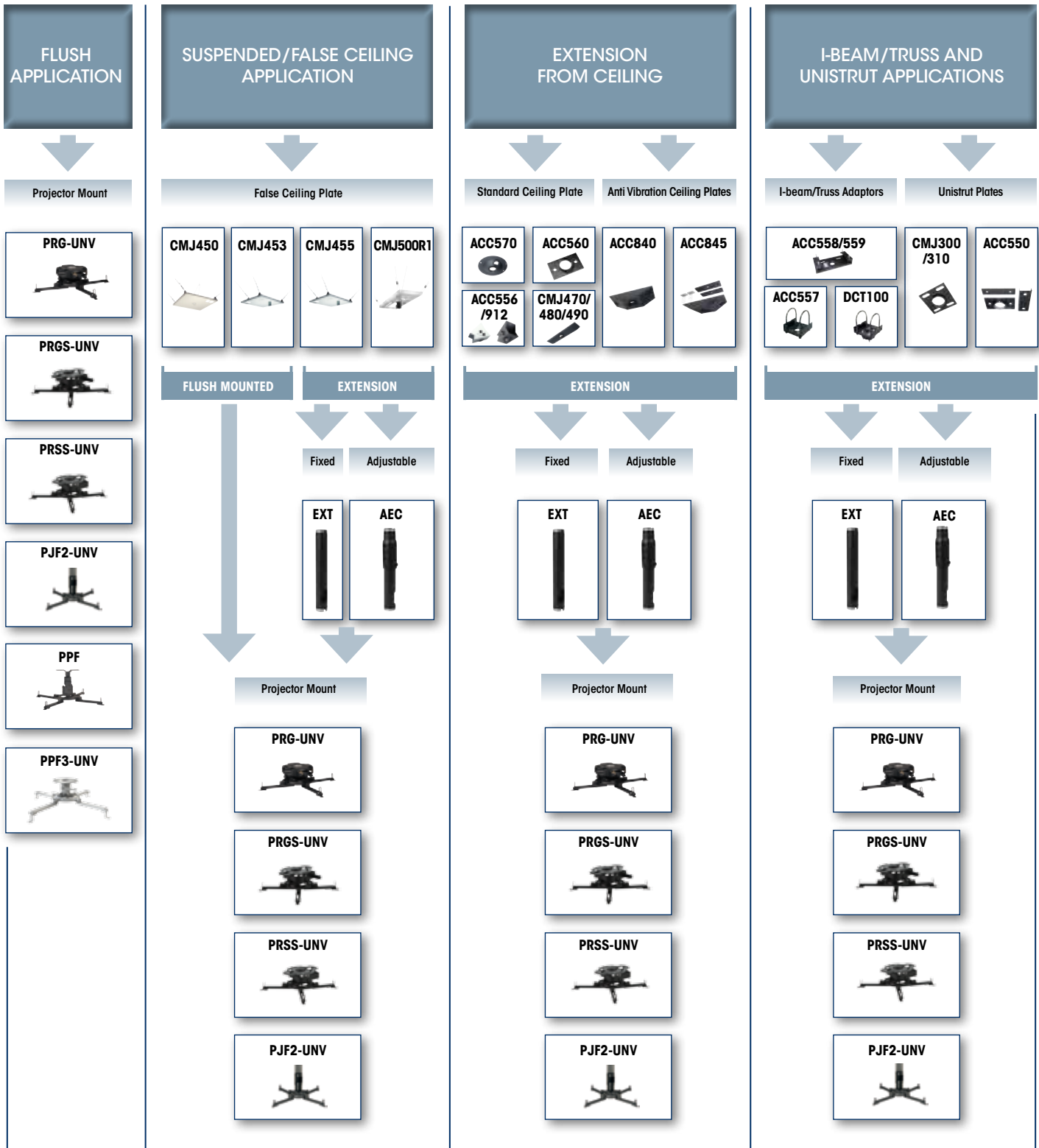


- Hook on design allows for single person installation
- Mounts over existing chalk and marker boards
- Compatible with major interactive whiteboard brands

The IWB600 Series is a cost effective solution to effortlessly add interactive whiteboards to classrooms and boardrooms. Installation and adjustment are easy with the telescoping vertical rails, which allow the mount to fit directly over existing whiteboards or chalkboards. **Learn more on page 202.**

# Projector Mount and Accessories Selection Guide

Choose the perfect combination of projector mount and accessories to make your installation simpler than ever. Refer to the chart below for a quick reference selection guide to build the ideal mount and required accessories.





## SHORT-THROW MOUNTS

**PSTA/PSTK-028 Models**  
**PSTA/PSTK-2955 Models**  
 Short Throw Projector Mount  
 for Projectors up to 50lb (22kg)..... pg# 200

**PSTA-1600**  
 Short Throw Projector Mount  
 for Projectors up to 25lb (11kg)..... pg# 201

## CEILING MOUNTS

**PRG-1/PRG-UNV Models**  
 PRG Projector Mount  
 for Projectors up to 50lb (22kg)..... pg# 190

**PJF2(-1)/PJF2-UNV Models**  
 PJF2 Projector Mount  
 for Projectors up to 50lb (22kg) ..... pg# 191

**PRSS-UNV Models**  
 PRSS Projector Mount  
 for Projectors up to 50lb (22kg) ..... pg# 192

**PRGS-UNV Models**  
 PRGS Projector Mount  
 for Projectors up to 50lb (22kg)..... pg# 193

**PRG3-EXA/EXB/EXC Models**  
 Precision Gear Projector Mount  
 for flush or extended applications..... pg# 194

**PJF3-UNV/PJF3-EXA/EXB/EXC Models**  
 Projector Mount  
 for flush or extended applications..... pg# 195

**PSM-UNV/PSMU-PRSS Models**  
 PSM / PSMU Security Projector Mounts  
 for Projectors up to 50lb (22kg)..... pg# 196

**PE1120 Models**  
 Projector Enclosure for use  
 with Peerless-AV® Projector Mounts ..... pg# 197

**MOD-PRGSKIT Models**  
**MOD-PRSSKIT Models**  
 Modular Series Projector Mount  
 Ceiling Kits and Individual Components  
 to 'Build Your Own' Solutions  
 for Projectors up to 50lb (22kg) ..... pg# 198-199

## WHITEBOARD MOUNTS

**IWB600-UNIV/IWB680-W**  
 Universal Whiteboard Mount  
 for attaching over existing  
 marker boards and chalkboards ..... pg# 202

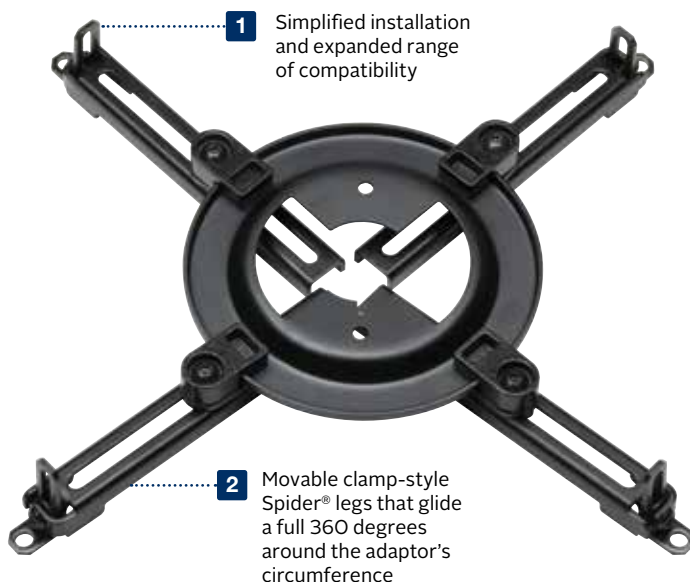
**IWB600-WB/IWB600-2SB**  
 Dedicated Whiteboard Mount  
 for attaching over existing  
 marker boards and chalkboards ..... pg# 203

## PROJECTOR ACCESSORIES

**AEC/EXT Models**  
 Adjustable and Fixed Extension Columns  
 for up to 500lb (227kg) ..... pg# 204

## Projector Mounting Made Easy

The patented Spider® Universal Adaptor Plate clamp-style technology simplifies installation and enhances compatibility.



- **Simplified installation and leg adjustment**  
Eliminate time consuming adjustments with easy to use clamps that smoothly glide along a 360° path to your desired location and tighten to secure each leg into place
- **Expanded range of compatibility**  
Adaptor legs are designed with larger adaptor plate circumference and 100% guaranteed compatibility with Peerless-AV® popular projector mount models
- **Color choices**  
Choose from a selection of colors to match the installation. Available in black, silver and white.



CALL: 630-375-5100  
800-865-2112



FAX: 630-820-8537  
800-359-6500



E-MAIL:  
info@peerless-av.com



ONLINE:  
peerless-av.com



MODELS

Universal Models:

Includes theft resistant hardware for attaching projector to mount

- PRG-UNV** Black
- PRG-UNV-W** White

Dedicated Models:

Projector adaptor purchased separately\*

- PRG-1(-W)** Black or white

\*Dedicated adaptor plates available in flat black and include security fasteners

PROJECTOR ADAPTOR



Mounting Pattern

- Universal Models:** Up to 17.63" (448mm)
- Dedicated Models:** Requires projector specific adaptor plate to be purchased separately.

SPECIFICATIONS



Pitch | Swivel (during installation) | Roll

±20° | 360° (±15° when flush mounted) | ±10°



Max Load

50lb (22kg)

Product Dimensions (W x H x D)

- Universal Models:** 8.50"-17.63" x 3.81"-4.81" x 8.50"-17.63" (216-448 x 97-122 x 216-448mm)
- Dedicated Models:** 5.58" x 2.47" x 5.58" (142 x 63 x 142mm)

Mounting Surfaces

Wood joist, concrete and other structures (Other structures require accessory)

Ship Weight

- Universal Models:** 3.78lb (1.72kg)
- Dedicated Models:** 1.8lb (.82kg)

CERTIFICATIONS



ACCESSORIES



**ACC, CMJ Models:**  
Ceiling Plates ..... pg# 228, 230



**AEC and EXT Models:**  
Extension Columns ..... pg# 231



**PWA-14(S)(W):**  
Projector Wall Arm ..... pg# 230

# PRG Projector Mount

For Projectors up to 50lb (22kg)

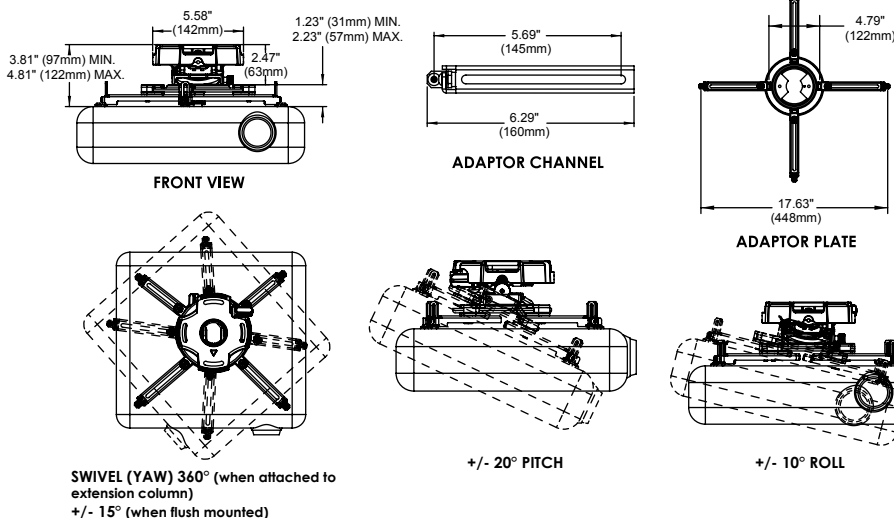
1. Spider® Universal Adaptor Plate extends up to 17.63" (448mm) to fit most projector models
2. Precision gearing provides ImageLock™ alignment to accurately hold image position, virtually eliminating any sag or drift
3. Two adjustment knobs control pitch and roll image alignment. Engage using a Phillips screwdriver or extend knobs to adjust by hand
4. Cable management allows cables to be routed through projector mount and out of sight
5. Quick-release mechanism to easily service projector
6. Pre-installed security screws provide optional pitch and roll lock to prevent tampering and adjustments



Please visit [peerless-av.com/en-us/patents](http://peerless-av.com/en-us/patents) for patent information.

TECHNICAL DRAWINGS

For expanded product information and technical data visit [peerless-av.com](http://peerless-av.com)



To verify mount compatibility with any display or projector model use MountFinder™ at [peerless-av.com](http://peerless-av.com).



CALL: 630-375-5100  
800-865-2112



FAX: 630-820-8537  
800-359-6500



E-MAIL: [info@peerless-av.com](mailto:info@peerless-av.com)

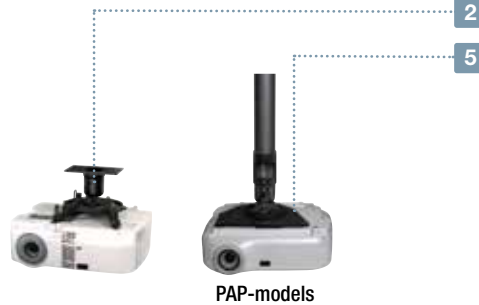
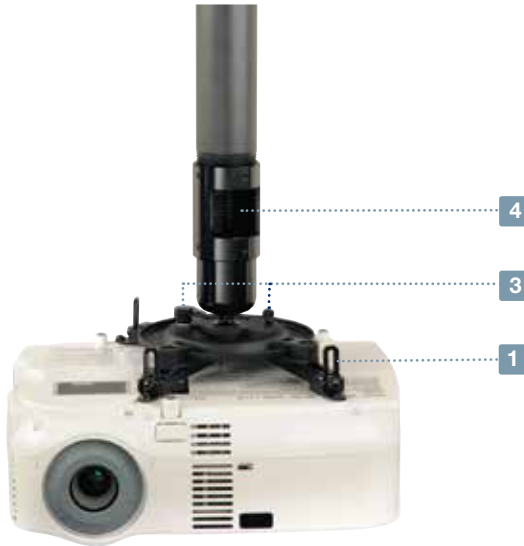


ON-LINE: [peerless-av.com](http://peerless-av.com)

# PJF2 Projector Mount

For Projectors up to 50lb (22kg)

1. Spider® Universal Adaptor Plate extends up to 17.63" (448mm) to fit most projector models
2. Single point of adjustment for quick image alignment
3. Two thumb screws allow fast projector removal for lamp and filter maintenance
4. Cords routed internally through extension column
5. Dedicated adaptor plates available for specific projector models

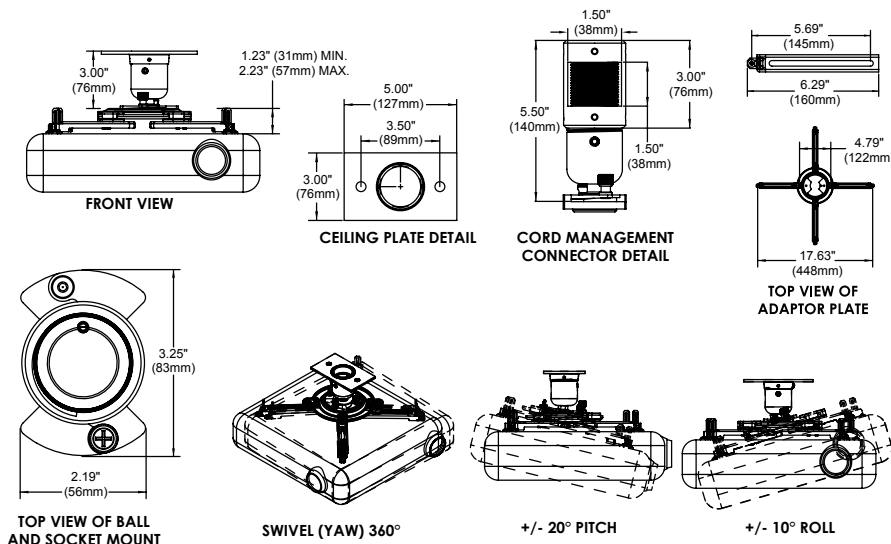


PAP-models

Please visit [peerless-av.com/en-us/patents](http://peerless-av.com/en-us/patents) for patent information.

For expanded product information and technical data visit [peerless-av.com](http://peerless-av.com)

## TECHNICAL DRAWINGS



## PROJECTOR AND WHITEBOARD MOUNTS



CEILING MOUNTS

## MODELS

### Universal Models:

Includes theft resistant hardware for attaching projector to mount

<b>PJF2-UNV</b>	Black
<b>PJF2-UNV-S</b>	Silver

### Kitted Dedicated Models:

Includes dedicated projector adaptor plate

<b>PJF2 MODELS</b>	Black
--------------------	-------

### Dedicated Models:

Projector adaptor purchased separately\*

<b>PJF2-1(-S)</b>	Black or silver
-------------------	-----------------

\*Dedicated adaptor plates available in flat black and include security fasteners

## PROJECTOR ADAPTOR



### Mounting Pattern

**Universal Models:** Up to 17.63" (448mm)

**Kitted Dedicated Models:** Includes dedicated projector adaptor plate. Use MountFinder™ to verify model.

**Dedicated Models:** Requires projector specific adaptor plate to be purchased separately.

## SPECIFICATIONS



### Pitch | Swivel (during installation) | Roll

±20° | 360° | ±10°



### Max Load

50lb (22kg)

### Product Dimensions (W x H x D)

**Universal Models:** 8.50"-17.63" x 4.23"-5.23" x 8.50"-17.63"  
(216-448 x 107-133 x 216-448mm)

**Dedicated Models:** 3.25" x 3.13" x 3.25"  
(83 x 79 x 83mm)

### Mounting Surfaces

Wood joist, concrete and other structures  
(Other structures require accessory)

### Ship Weight

**Universal Models:** 3.58lb (1.6kg)  
**Dedicated Models:** 1.3lb (.58kg)

## CERTIFICATIONS



## ACCESSORIES



### ACC, CMJ Models:

Ceiling Plates ..... pg# 228, 230



### AEC and EXT Models:

Extension Columns ..... pg# 231



### PWA-14(S)(W):

Projector Wall Arm ..... pg# 230

To verify mount compatibility with any display or projector model use MountFinder™ at [peerless-av.com](http://peerless-av.com).



CALL: 630-375-5100  
800-865-2112



FAX: 630-820-8537  
800-359-6500



E-MAIL:  
[info@peerless-av.com](mailto:info@peerless-av.com)



ON-LINE:  
[peerless-av.com](http://peerless-av.com)



MODELS

Universal Models:

Includes theft resistant hardware for attaching projector to mount

<b>PRSS-UNV</b>	Black
<b>PRSS-UNV-S</b>	Silver

PROJECTOR ADAPTOR



Mounting Pattern

Universal Models: Up to 17.63" (448mm)

SPECIFICATIONS



Pitch | Swivel (during installation) | Roll

+15°/-20° | 360° | ±5°



Max Load

50lb (22kg)

Product Dimensions (W x H x D)

8.50"-17.63" x 3.63"-4.63" x 8.50"-17.63"  
(216-448 x 92-118 x 216-448mm)

Mounting Surfaces

Wood joist, concrete and other structures  
(Other structures require accessory)

Ship Weight

4.7lb (2kg)

CERTIFICATIONS



ACCESSORIES



ACC, CMJ Models:

Ceiling Plates ..... pg# 228, 230



AEC and EXT Models:

Extension Columns ..... pg# 231



PWA-14(S)(W):

Projector Wall Arm ..... pg# 230

# PRSS Projector Mount

For Projectors up to 50lb (22kg)

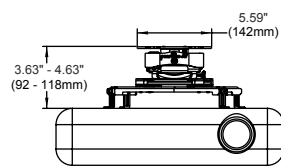
1. Three axes of adjustments enable precise image alignment
2. Spider® Universal Adaptor Plate extends up to 17.63" (448mm) to fit most projector models
3. Low profile design allows projector to be flush with the ceiling
4. 'U' pitch bracket for easy cable routing
5. Quick release mechanism to easily service projector
6. Pre-installed security screws provide optional pitch and roll lock to prevent tampering and adjustments



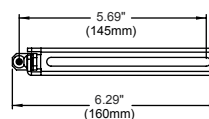
Please visit [peerless-av.com/en-us/patents](http://peerless-av.com/en-us/patents) for patent information.

TECHNICAL DRAWINGS

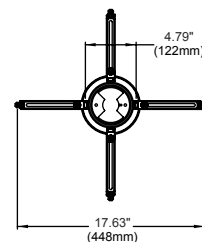
For expanded product information and technical data visit [peerless-av.com](http://peerless-av.com)



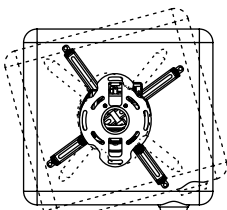
FRONT VIEW



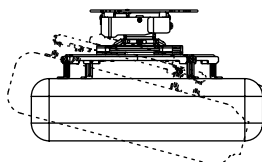
ADAPTOR CHANNEL



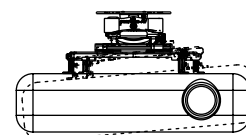
ADAPTOR PLATE



SWIVEL (YAW) 360°  
(when attached to extension column)  
+/- 15° (when flush mounted)



+15/- 20° PITCH



+/- 5° ROLL

To verify mount compatibility with any display or projector model use MountFinder™ at [peerless-av.com](http://peerless-av.com).



CALL: 630-375-5100  
800-865-2112



FAX: 630-820-8537  
800-359-6500



E-MAIL: [info@peerless-av.com](mailto:info@peerless-av.com)



ON-LINE: [peerless-av.com](http://peerless-av.com)

# PRGS Projector Mount

For Projectors up to 50lb (22kg)

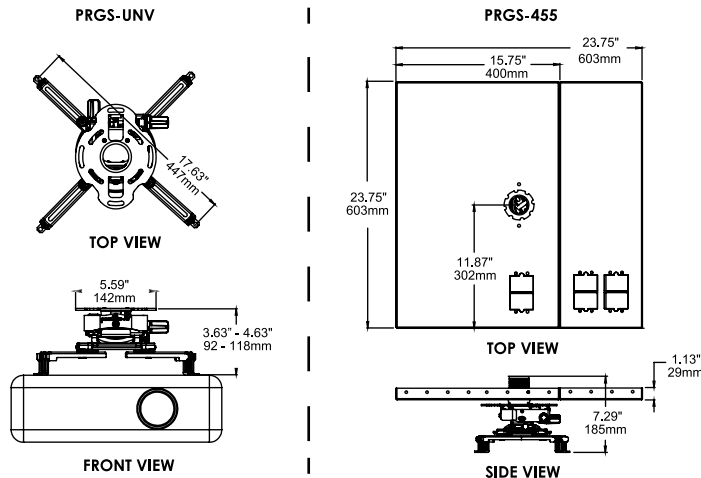
- Two adjustment knobs to control pitch and roll alignment and accurately hold image position, virtually eliminating any sag or drift
- Spider® Universal Adaptor Plate extends up to 17.63" (448mm) to fit most projector models
- Low profile design allows projector to be flush with the ceiling
- 'U' pitch bracket for easy cable routing
- Quick release mechanism to easily service projector
- Pre-installed security screws provide optional pitch and roll lock to prevent tampering and adjustments
- PRGS-455 is kitted with CMJ455 Suspended Ceiling Plate, which allows a projector to be mounted into a 2' x 2' false ceiling system; includes tie wire for a 3' drop, turn buckles, and fasteners for mounting



Please visit [peerless-av.com/en-us/patents](http://peerless-av.com/en-us/patents) for patent information.

For expanded product information and technical data visit [peerless-av.com](http://peerless-av.com)

## TECHNICAL DRAWINGS



## PROJECTOR AND WHITEBOARD MOUNTS



CEILING MOUNTS

## MODELS

### Universal Models:

Includes theft resistant hardware for attaching projector to mount

<b>PRGS-UNV</b>	Black
<b>PRGS-UNV-S</b>	Silver
<b>PRGS-UNV-W</b>	White
<b>PRGS-455*</b>	White

\* Kitted with CMJ455 Suspended Ceiling Plate

## PROJECTOR ADAPTOR



### Mounting Pattern

Universal Models: Up to 17.63" (448mm)

## SPECIFICATIONS



Pitch | Swivel (during installation) | Roll

+15°/-20° | 360° | ±5°



### Max Load

50lb (22kg)

### Product Dimensions (W x H x D)

<b>PRGS-UNV Models:</b>	8.50"-17.63" x 3.63"-4.63" x 8.50"-17.63" (216-448 x 92-118 x 216-448mm)
<b>PRGS-455:</b>	23.75" x 6.32"-7.32" x 23.75" (603 x 161-186 x 603mm)

### Mounting Surfaces

Wood joist, concrete and other structures (Other structures require accessory)

### Ship Weight

<b>PRGS-UNV Models:</b>	4.9lb (2kg)
<b>PRGS-455:</b>	19.2lb (8.74kg)

## CERTIFICATIONS



## ACCESSORIES



### ACC, CMJ Models:

Ceiling Plates ..... pg# 228, 230



### AEC and EXT Models:

Extension Columns ..... pg# 230



### PWA-14(S)(W):

Projector Wall Arm ..... pg# 230

To verify mount compatibility with any display or projector model use MountFinder™ at [peerless-av.com](http://peerless-av.com).



CALL: 630-375-5100  
800-865-2112



FAX: 630-820-8537  
800-359-6500



E-MAIL:  
[info@peerless-av.com](mailto:info@peerless-av.com)



ON-LINE:  
[peerless-av.com](http://peerless-av.com)



MODELS

Universal Models:

Includes theft resistant hardware for attaching projector to mount

**PRG3-EXA(-W)** Black or white

**PRG3-EXB(-W)** Black or white

**PRG3-EXC(-W)** Black or white

PROJECTOR ADAPTOR



Mounting Pattern

Universal Models: Up to 17.63" (448mm)

SPECIFICATIONS



Distance from Ceiling

PRG3-EXA(-W):	13.00"-18.00" (330-457mm)
PRG3-EXB(-W):	18.00"-27.00" (457-686mm)
PRG3-EXC(-W):	27.00"-43.00" (686-1092mm)



Pitch | Swivel (during installation) | Roll

±20° | 360° | ±10°



Max Load

50lb (22kg)

Product Dimensions (W x D)

8.50"-17.63" x 8.50"-17.63"  
(216-448 x 216-448mm)

Mounting Surfaces

Wood joist or concrete

Ship Weight

PRG3-EXA(-W):	7.4lb (3.36kg)
PRG3-EXB(-W):	8.0lb (3.64kg)
PRG3-EXC(-W):	9.4lb (4.27kg)

CERTIFICATIONS

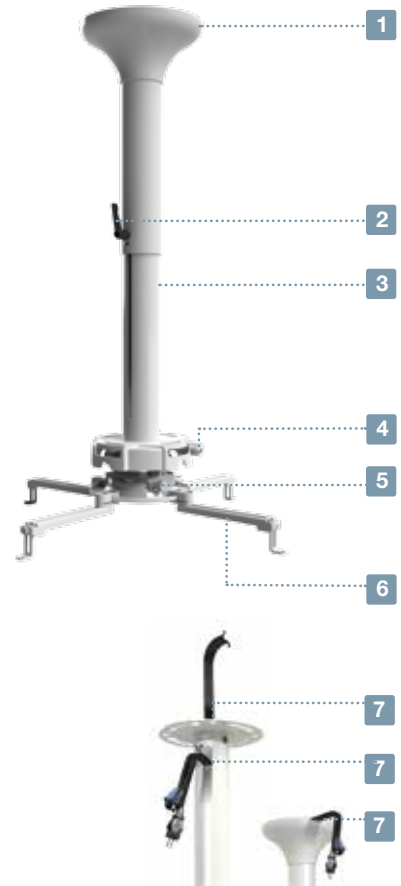


SMARTMOUNT.

Precision Gear Projector Mount

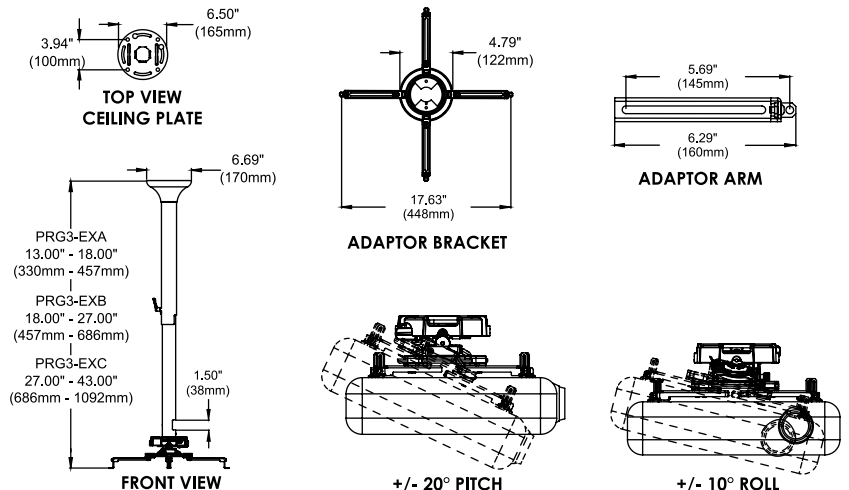
For extended applications

1. Cosmetic cover provides an attractive finish and complements the décor of any room
2. Tool-less height and image adjustment provides quick setup and simple maintenance
3. Internal cable management protects, contains and conceals cables for a clean, professional installation
4. Two adjustment knobs control pitch and roll image alignment. Engage using a Phillips screwdriver or adjust by hand
5. Quick-release mechanism to easily service projector
6. Spider® Universal Adaptor Plate extends up to 17.63" (448mm) to fit most projector models
7. Multiple cable management options are provided, which allow either routing of the cables through the center of the ceiling plate, or through the removable electrical knockouts in the ceiling plate cover



TECHNICAL DRAWINGS

For expanded product information and technical data visit [peerless-av.com](http://peerless-av.com)



To verify mount compatibility with any display or projector model use MountFinder™ at [peerless-av.com](http://peerless-av.com).



CALL: 630-375-5100  
800-865-2112



FAX: 630-820-8537  
800-359-6500



E-MAIL: [info@peerless-av.com](mailto:info@peerless-av.com)



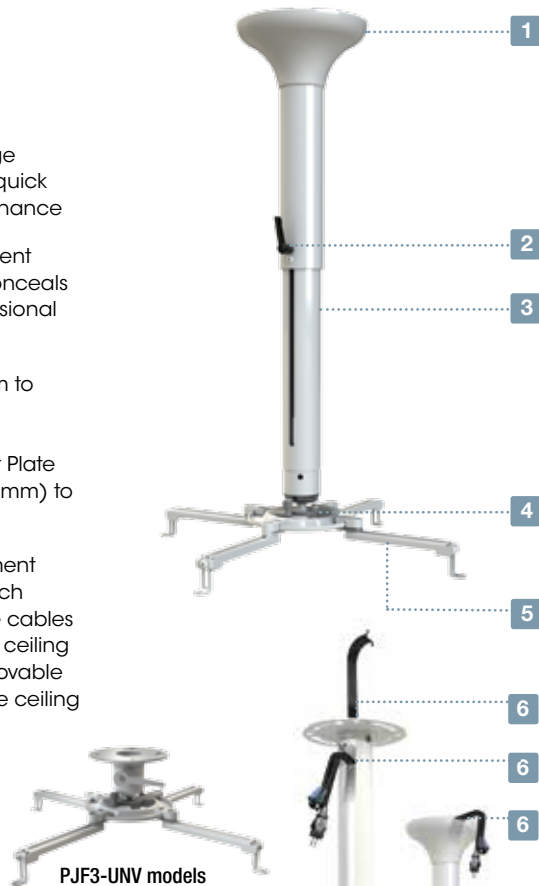
ON-LINE: [peerless-av.com](http://peerless-av.com)



# Projector Mount

For flush or extended applications

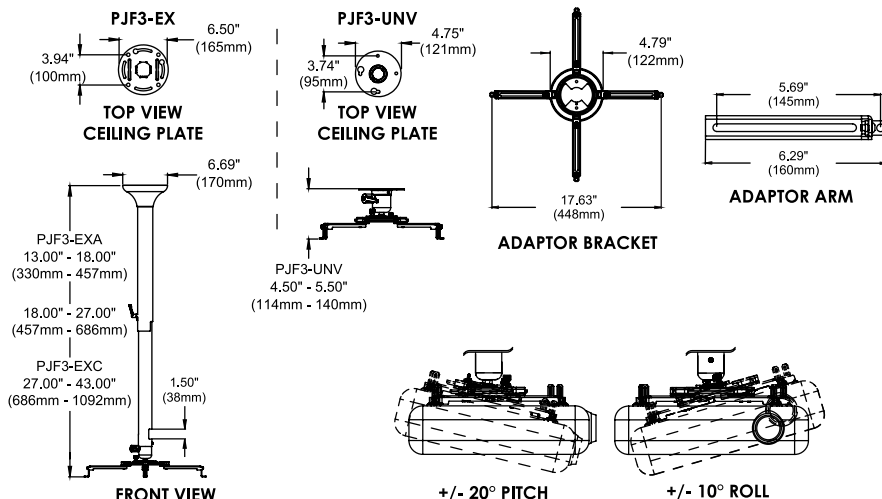
1. Cosmetic cover provides an attractive finish and complements the décor of any room
2. Tool-less height and image adjustment provided for quick setup and simple maintenance
3. Internal cable management protects, contains and conceals cables for a clean, professional installation
4. Quick-release mechanism to easily service projector
5. Spider® Universal Adaptor Plate extends up to 17.63" (448mm) to fit most projector models
6. Multiple cable management options are provided, which allow either routing of the cables through the center of the ceiling plate, or through the removable electrical knockouts in the ceiling plate cover



PJF3-UNV models

For expanded product information and technical data visit [peerless-av.com](http://peerless-av.com)

## TECHNICAL DRAWINGS



To verify mount compatibility with any display or projector model use MountFinder™ at [peerless-av.com](http://peerless-av.com).



CALL: 630-375-5100  
800-865-2112



FAX: 630-820-8537  
800-359-6500



E-MAIL: [info@peerless-av.com](mailto:info@peerless-av.com)



ON-LINE: [peerless-av.com](http://peerless-av.com)



## MODELS

### Universal Models:

Includes theft resistant hardware for attaching projector to mount

- PJF3-UNV(-W)** Black or white
- PJF3-EXA(-W)** Black or white
- PJF3-EXB(-W)** Black or white
- PJF3-EXC(-W)** Black or white

## PROJECTOR ADAPTOR



### Mounting Pattern

Universal Models: Up to 17.63" (448mm)

## SPECIFICATIONS



### Distance from Ceiling

- PJF3-UNV(-W): 4.50"-5.50" (114-140mm)
- PJF3-EXA(-W): 13.00"-18.00" (330-457mm)
- PJF3-EXB(-W): 18.00"-27.00" (457-686mm)
- PJF3-EXC(-W): 27.00"-43.00" (686-1092mm)



### Pitch | Swivel (during installation) | Roll

±20° | 360° | ±10°



### Max Load

50lb (22kg)

### Product Dimensions (W x D)

8.50"-17.63" x 8.50"-17.63"  
(216-448 x 216-448mm)

### Mounting Surfaces

Wood joist or concrete

### Ship Weight

- PJF3-UNV(-W): 3.1lb (1.41kg)
- PJF3-EXA(-W): 5.7lb (2.59kg)
- PJF3-EXB(-W): 6.3lb (2.86kg)
- PJF3-EXC(-W): 7.7lb (3.50kg)

## CERTIFICATIONS





MODELS

Universal PSM-UNV Models:

Includes theft resistant hardware for attaching projector to mount

<b>PSM-UNV</b>	Black
<b>PSM-UNV-S</b>	Silver
<b>PSM-UNV-W</b>	White

Universal PSMU-PRS Models:

Includes theft resistant hardware for attaching projector to mount

<b>PSMU-PRSS</b>	Black
<b>PSMU-PRSS-S</b>	Silver

PROJECTOR ADAPTOR



Mounting Pattern

Universal tray pattern accommodates most projectors.

SPECIFICATIONS



Pitch | Swivel (during installation) | Roll

PSM-UNV Models:	±15°   360°   ±15°
PSMU-PRSS Models:	+15/-20°   360°   ±5°



Max Load

50lb (22kg)

Product Dimensions (W x H x D)

PSM-UNV Models:	14.23" x 4.67" x 12.67" (362 x 119 x 322mm)
PSMU-PRSS Models:	14.27" x 3.86" x 12.67" (363 x 98 x 322mm)

Mounting Surfaces

Wood joist, concrete and other structures  
(Other structures require accessory)

Ship Weight

PSM-UNV Models:	10.4lb (4.7kg)
PSMU-PRSS Models:	11.5lb (5.2kg)

CERTIFICATIONS



ACCESSORIES



ACC, CMJ Models:

Ceiling Plates ..... pg# 228, 230



AEC and EXT Models:

Extension Columns ..... pg# 231



PWA-14(S)(W):

Projector Wall Arm ..... pg# 230



ACC810:

Threaded Rod Adaptor ..... pg# 231

# PSM / PSMU Security Projector Mounts

For Projectors up to 50lb (22kg)

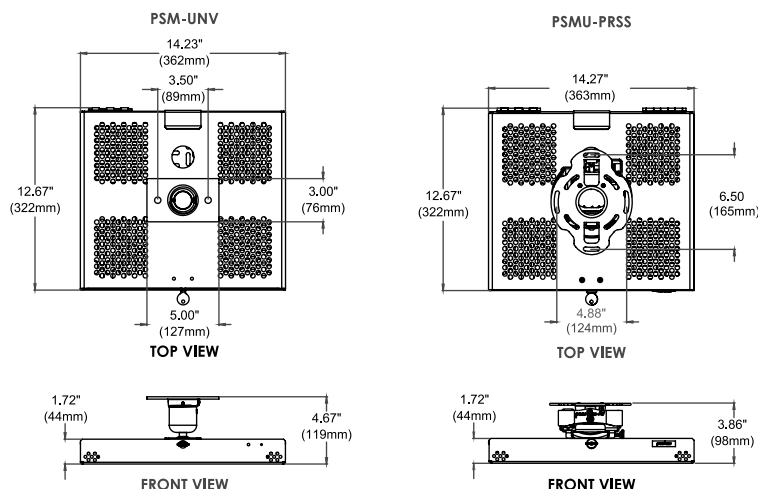
1. Key-lock security for theft deterrence
2. Two-piece tray design prevents access to security fasteners
3. Easy-access hinge design for quick projector removal, enabling lamp and filter maintenance
4. Top access hole for cable management
5. Mount and security fasteners included



Please visit [peerless-av.com/en-us/patents](http://peerless-av.com/en-us/patents) for patent information.

TECHNICAL DRAWINGS

For expanded product information and technical data visit [peerless-av.com](http://peerless-av.com)



To verify mount compatibility with any display or projector model use MountFinder™ at [peerless-av.com](http://peerless-av.com).



CALL: 630-375-5100  
800-865-2112



FAX: 630-820-8537  
800-359-6500



E-MAIL: [info@peerless-av.com](mailto:info@peerless-av.com)

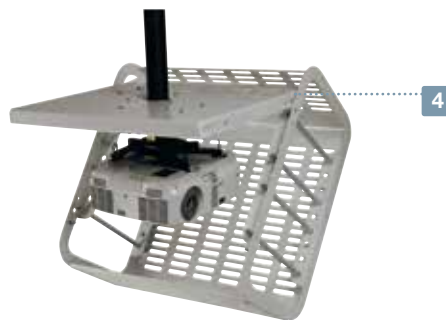
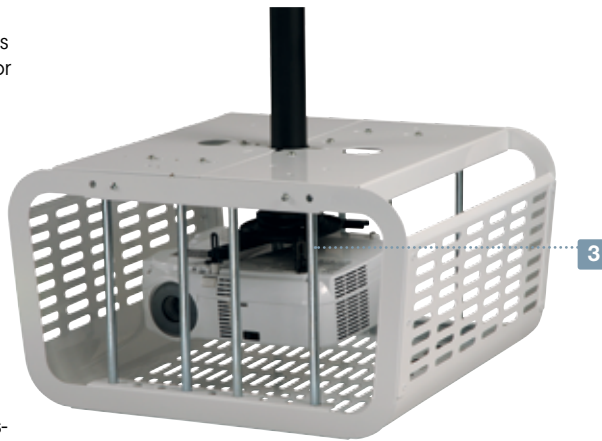


ON-LINE: [peerless-av.com](http://peerless-av.com)

# Projector Enclosure

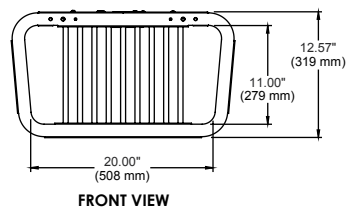
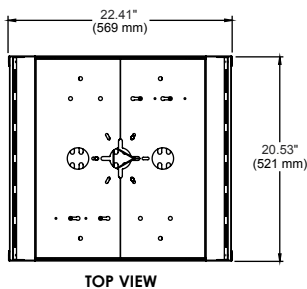
For use with Peerless-AV® Projector Mounts

1. Secures and protects virtually any projector and mount
2. Retro-fit capable without tampering with existing installations
3. Adjustable bars accommodate projector lens placement
4. Hook-and-Hang™ design allows hands-free operation during projector installation or maintenance



For expanded product information and technical data visit [peerless-av.com](http://peerless-av.com)

## TECHNICAL DRAWINGS



## PROJECTOR AND WHITEBOARD MOUNTS



CEILING MOUNTS

### MODELS

#### Universal Models:

Includes theft resistant hardware for attaching projector to mount

<b>PE1120</b>	Black
<b>PE1120-W</b>	White

### SPECIFICATIONS



#### Product Dimensions (W x H x D)

22.41" x 12.57" x 20.53"  
(569 x 319 x 521 mm)

#### Mounting Surfaces

Attaches to 1"-1.5" NPT pipe or can be attached directly to structural or suspended ceiling (Suspended ceiling requires accessory)

#### Ship Weight

43.5lb (19.8kg)

### CERTIFICATIONS

**RoHS**  
PROTEC

### ACCESSORIES



**PRG, PRGS, PRSS, PJF2 Models:**  
Projector Mounts ..... pg# 190-193



**AEC and EXT Models:**  
Extension Columns ..... pg# 231



**ACC, CMJ Models:**  
Ceiling Plates ..... pg# 228, 230

To verify mount compatibility with any display or projector model use MountFinder™ at [peerless-av.com](http://peerless-av.com).



CALL: 630-375-5100  
800-865-2112



FAX: 630-820-8537  
800-359-6500



E-MAIL:  
[info@peerless-av.com](mailto:info@peerless-av.com)



ON-LINE:  
[peerless-av.com](http://peerless-av.com)



MODELS

Universal Models:

Includes theft resistant hardware for attaching display to mount

<b>MOD-PRGSKIT100</b>	39" (1m) Ceiling Kit	Black/Chrome
<b>MOD-PRGSKIT100-B</b>	39" (1m) Ceiling Kit	Black
<b>MOD-PRGSKIT150</b>	59" (1.5m) Ceiling Kit	Black/Chrome
<b>MOD-PRGSKIT150-B</b>	59" (1.5m) Ceiling Kit	Black
<b>MOD-PRGSKIT300</b>	118" (3m) Ceiling Kit	Black/Chrome
<b>MOD-PRGSKIT300-B</b>	118" (3m) Ceiling Kit	Black

<b>MOD-PRSSKIT100</b>	39" (1m) Ceiling Kit	Black/Chrome
<b>MOD-PRSSKIT100-B</b>	39" (1m) Ceiling Kit	Black
<b>MOD-PRSSKIT150</b>	59" (1.5m) Ceiling Kit	Black/Chrome
<b>MOD-PRSSKIT150-B</b>	59" (1.5m) Ceiling Kit	Black
<b>MOD-PRSSKIT300</b>	118" (3m) Ceiling Kit	Black/Chrome
<b>MOD-PRSSKIT300-B</b>	118" (3m) Ceiling Kit	Black

PROJECTOR ADAPTOR



Mounting Pattern

Universal Models: Up to 17.63" (448mm)

SPECIFICATIONS



Extension Length

<b>MOD-PRGS/PRSSKIT100(-B):</b>	39.00" (1m)
<b>MOD-PRGS/PRSSKIT150(-B):</b>	59.00" (1.5m)
<b>MOD-PRGS/PRSSKIT300(-B):</b>	118.00" (3m)



Pitch | Swivel (during installation) | Roll

+15°/-20° | 360° | ±5°



Max Load

50lb (22kg)

Product Dimensions (W x H x D)

**MOD-PRGS/PRSSKIT100(-B):**  
8.50"-17.63" x 44.50"-45.50" x 8.50"-17.63"  
(216-448 x 1130-1156 x 216-448mm)

**MOD-PRGS/PRSSKIT150(-B):**  
8.50"-17.63" x 64.18"-65.18" x 8.50"-17.63"  
(216-448 x 1630-1655 x 216-448mm)

**MOD-PRGS/PRSSKIT300(-B):**  
8.50"-17.63" x 123.24"-124.24" x 8.50"-17.63"  
(216-448 x 3130-3155 x 216-448mm)

Mounting Surfaces

Wood joist, concrete and other structures  
(Other structures require accessory)

Ship Weight

<b>MOD-PRGS/PRSSKIT100(-B):</b>	12.2lb (5.5kg)
<b>MOD-PRGS/PRSSKIT150(-B):</b>	14.8lb (6.7kg)
<b>MOD-PRGS/PRSSKIT300(-B):</b>	23.2lb (10.5kg)

CERTIFICATIONS



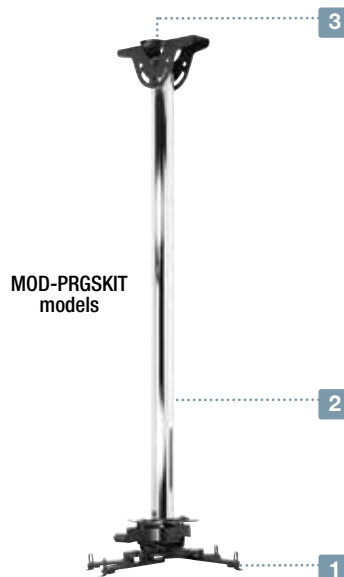
ACCESSORIES

See individual components to 'build your own' solution.....pg# 199

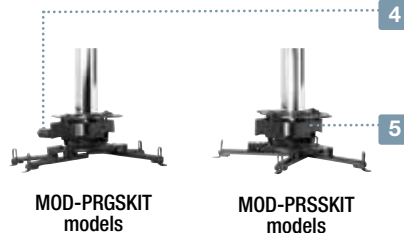
# Modular Series Projector Mount Ceiling Kits

For Projectors up to 50lb (22kg)

- Spider® Universal Adaptor Plate extends up to 17.63" (448mm) to fit most projector models
- Projector drop of up to 45.50" (1155mm), 65.00" (1650mm), or 124.00" (3150mm) or cut pole to desired length
- Cathedral ceiling plate can be angled up to ±60° for use with vaulted or sloping ceilings
- Two adjustment knobs control tilt and roll image alignment and accurately hold image position, virtually eliminating any sag or drift with MOD-PRGSKIT models
- Three axes of independent adjustment enable precise image alignment with MOD-PRSSKIT models
- Projector Mount Kits include:
  - (1) MOD-CPC
  - (1) MOD-100(-B) / MOD-P150(-B) / MOD-P300(-B)
  - (1) MOD-ATA
  - (1) PRGS-UNV / PRSS-UNV



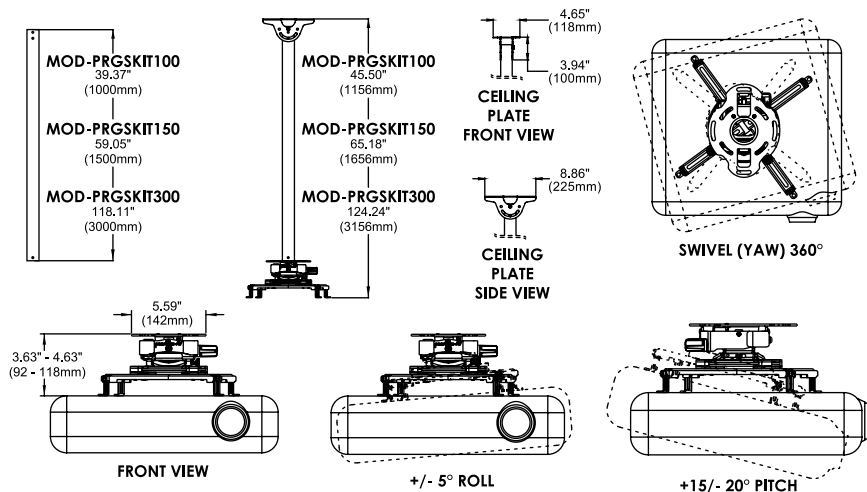
MOD-PRGSKIT models



Please visit [peerless-av.com/en-us/patents](http://peerless-av.com/en-us/patents) for patent information.

TECHNICAL DRAWINGS

For expanded product information and technical data visit [peerless-av.com](http://peerless-av.com)



To verify mount compatibility with any display or projector model use MountFinder™ at [peerless-av.com](http://peerless-av.com).



CALL: 630-375-5100  
800-865-2112



FAX: 630-820-8537  
800-359-6500



E-MAIL: [info@peerless-av.com](mailto:info@peerless-av.com)



ON-LINE: [peerless-av.com](http://peerless-av.com)

# Modular Series Individual Components to 'Build Your Own' Solution

For Projectors up to 50lb (22kg)



## 1 CHOOSE THE MOUNTING PLATE TYPE

### MOD-CPI I-Beam Ceiling Plate

- Fully adjustable for I-beams 3.34" (85mm) to 9.84" (250mm)
- Tilt:  $\pm 60^\circ$

**Max Load:** 264lb (120kg)  
**Ship Weight:** 6.7lb (3kg)  
**Color:** Black



### MOD-AUB U-Bolt Adaptor Accessory

- Clamps around 1.5"-3.3" (40-85mm) dia. pipes, trusses, mini I-beams, and other construction materials
- Adapts to MOD-CPC and MOD-CPF

**Max Load:** 264lb (120kg)  
**Ship Weight:** 1.6lb (0.75kg)  
**Color:** Black



### MOD-CPC(-W) Cathedral Ceiling Plate

- Cathedral ceiling plate can be angled up to  $\pm 60^\circ$  for use with vaulted or sloping ceilings;
- Mounts to concrete and wood joist ceilings

**Max Load:** 264lb (120kg)  
**Ship Weight:** 2.5lb (1.1kg)  
**Color:** Black or white



### MOD-CPF(-W) Square Ceiling/Floor Plate, Flat

- Mounts to concrete and wood joist ceilings. Heavy duty.

**Max Load:** 264lb (120kg)  
**Ship Weight:** 3.7lb (1.7kg)  
**Color:** Black



### MOD-ACF(-W) Cosmetic Cover

- Cosmetic cover for modular series square ceiling/floor plate (MOD-CPF)

**Ship Weight:** 1.85lb (0.83kg)  
**Color:** Black



## 2 SELECT THE POLE LENGTH & ACCESSORIES

### MOD-P100/150/200/300 Extension Poles

- Cut-to-length 2" (50mm) dia. pole
- MOD-P100(-B): 39" (1m) length  
MOD-P150(-B): 59" (1.5m) length  
MOD-P200(-B): 78" (2m) length  
MOD-P300(-B): 118" (3m) length

**Ship Weight:**  
MOD-P100(-B): 5lb (2.2kg)  
MOD-P150(-B): 7.4lb (3.3kg)  
MOD-P200(-B): 10lb (4.5kg)  
MOD-P300(-B): 14.8lb (6.7kg)  
**Color:** Chrome or black



### MOD-ATD-W Trim Disc

- Covers hole around the 2" (50mm) pole in a suspended ceiling, creating a smooth transition

**Ship Weight:** 0.1lb (0.04kg)  
**Color:** White



### MOD-APC Pole Coupler

- Connects two 2" (50mm) poles

**Ship Weight:** 4lb (1.8kg)  
**Color:** Black



### MOD-ADF Pole Drilling Fixture

- Allows marking and positioning of new installation holes to be drilled into newly cut 2" (50mm) poles

**Ship Weight:** 1.2lb (0.54kg)  
**Color:** Black



## 3 PROJECTOR ADAPTOR

### MOD-ATA(-W) 1.5" NPS Threaded Projector Mount Adaptor

- Adaptor to connect the modular extension pole to projector mounts

**Max Load:** 66lb (29.9kg)  
**Ship Weight:** 0.5lb (0.23kg)  
**Color:** Black



## 4 REQUIRED PROJECTOR MOUNT

### PRGS-UNV(-W) PRGS Projector Mount

- Spider Universal Adaptor Plate extends up to 17.63" (448 mm) to fit most projector models
- Two adjustment knobs control tilt and roll image alignment and accurately hold image position, virtually eliminating any sag or drift

**Max Load:** 50lb (22kg)  
**Ship Weight:** 4.9lb (2kg)  
**Color:** Black



### PRSS-UNV(-W) PRSS Projector Mount

- Spider Universal Adaptor Plate extends up to 17.63" (448 mm) to fit most projector models
- Three axes of adjustment enable precise image alignment

**Max Load:** 50lb (22kg)  
**Ship Weight:** 4.7lb (2kg)  
**Color:** Black



### PSMU-PRSS(-W) Security Mount

- Key lock security for theft deterrence
- Two-piece tray design prevents access to security fasteners
- Easy-access hinge design for quick projector removal, enabling lamp and filter maintenance

**Max Load:** 50lb (22kg)  
**Ship Weight:** 11.5lb (5.2kg)  
**Color:** Black



To verify mount compatibility with any display or projector model use MountFinder™ at [peerless-av.com](http://peerless-av.com).



# Short Throw Projector Mount

For Projectors up to 50lb (22kg)

## MODELS

### Universal Models:

Includes theft resistant hardware for attaching projector to mount

With 33.00" (838mm) wall extension:

- PSTA-028** Black
- PSTA-028-W** White

With 33.42" (849mm) wall extension:

- PSTK-028** Black with wall plate
- PSTK-028-W** White with wall plate

With 61.55" (1563mm) wall extension:

- PSTA-2955** Black
- PSTA-2955-W** White

With 61.98" (1574mm) wall extension:

- PSTK-2955** Black with wall plate
- PSTK-2955-W** White with wall plate

## PROJECTOR ADAPTOR

### Mounting Pattern

Universal Models: Up to 17.63" (448mm)

## SPECIFICATIONS

### Distance from Wall

PSTA-028(-W):	6.00"-33.00" (152-838mm)
PSTK-028(-W):	6.42"-33.42" (163-849mm)
PSTA-2955(-W):	37.00"-61.55" (940-1563mm)
PSTK-2955(-W):	37.42"-61.98" (950-1574mm)

### Pitch | Swivel (during installation) | Roll

+15°/20° | ±15° | ±5°

### Max Load

PSTA/PSTK-028(-W):	50lb (22kg)
PSTA/PSTK-2955(-W):	35lb (15kg)

### Product Dimensions (W x H x D)

PSTA-028(-W):	5.78" x 14.91" x 36.20" (147 x 379 x 919mm)
PSTK-028(-W):	18.50" x 15.97" x 36.61" (470 x 406 x 930mm)
PSTA-2955(-W):	5.78" x 15.16" x 40.00"-65.00" (147 x 385 x 1026-1651mm)
PSTK-2955(-W):	18.50" x 16.22" x 40.41"-65.50" (470 x 412 x 1026-1664mm)

### Mounting Surfaces

Wood, concrete and other structures  
(Other structures require accessory)




### Ship Weight

PSTA-028(-W):	12.24lb (5.5kg)
PSTK-028(-W):	16.26lb (7.3kg)
PSTA-2955(-W):	21.58lb (9.8kg)
PSTK-2955(-W):	25.1lb (11.4kg)

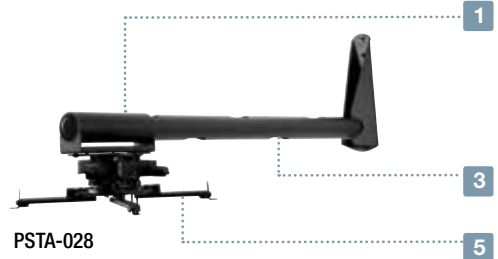
## CERTIFICATIONS



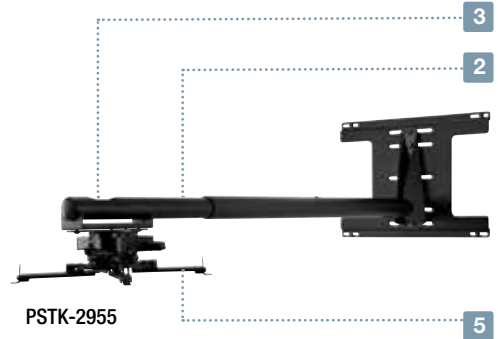
## ACCESSORIES

-  **WBK100**  
Double Stud Wall Plate ..... pg# 233
-  **ACC215/415/615:**  
Metal Stud Fastener Kit ..... pg# 234
-  **IBA models:**  
In-wall boxes ..... pg# 227

- PSTA/PSTK-028 sliding carriage design allows projector mount to glide into place at any location on the short throw arm
- PSTA/PSTK-2955 telescoping arm design provides a large range of mounting options with convenient lockdown slots at every point
- Access slots allow for all internal cable management
- Pre-installed security screws lock down short throw arm and prevent tampering
- Includes PRGS-UNV projector mount with precision gear alignment and adjustment knobs to control pitch and roll alignment



PSTA-028

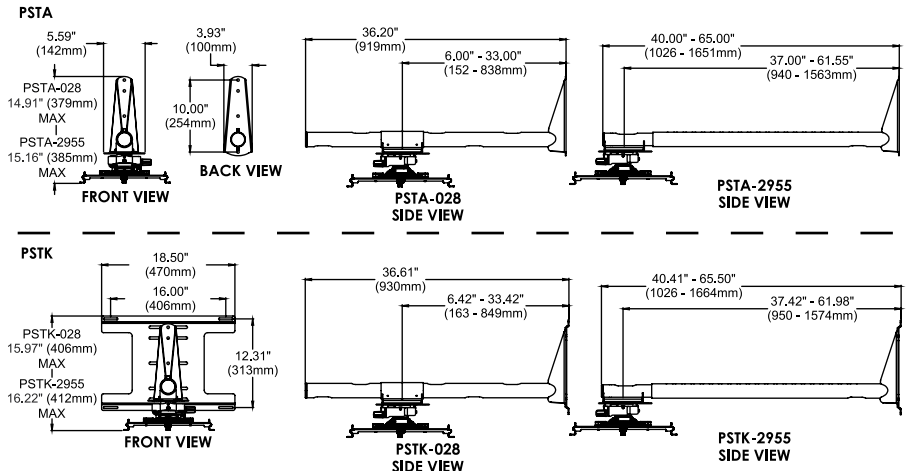


PSTK-2955

Please visit [peerless-av.com/en-us/patents](http://peerless-av.com/en-us/patents) for patent information.

## TECHNICAL DRAWINGS

For expanded product information and technical data visit [peerless-av.com](http://peerless-av.com)



To verify mount compatibility with any display or projector model use MountFinder™ at [peerless-av.com](http://peerless-av.com).

# Short Throw Projector Mount

For Projectors up to 25lb (11kg)

1. Aluminum alloy telescoping arm with lock down slot
2. Fully integrated cable management system conceals and protects cables for a clean finish
3. Adjustable length to cover nearly all short throw projectors
4. Includes PRG-UNV projector mount with precision gear alignment and adjustment knobs to control pitch and roll alignment

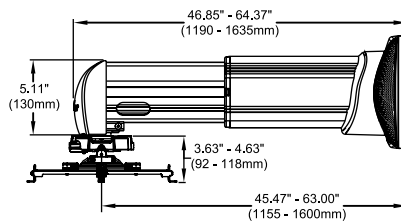
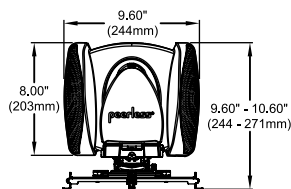


Use our online Short Throw Distance Calculator at [projectorcalculator.peerless-av.com](http://projectorcalculator.peerless-av.com) to determine if a projector will work in your installation.

Please visit [peerless-av.com/en-us/patents](http://peerless-av.com/en-us/patents) for patent information.

For expanded product information and technical data visit [peerless-av.com](http://peerless-av.com)

## TECHNICAL DRAWINGS



To verify mount compatibility with any display or projector model use MountFinder™ at [peerless-av.com](http://peerless-av.com).



CALL: 630-375-5100  
800-865-2112



FAX: 630-820-8537  
800-359-6500



E-MAIL:  
[info@peerless-av.com](mailto:info@peerless-av.com)



ON-LINE:  
[peerless-av.com](http://peerless-av.com)

## PROJECTOR AND WHITEBOARD MOUNTS



### MODELS

#### Universal Models:

Includes theft resistant hardware for attaching projector to mount

With 63.00" (1600mm) wall extension:  
**PSTA-1600** Black/ silver

### PROJECTOR ADAPTOR



#### Mounting Pattern

Universal Models: Up to 17.63" (448mm)

### SPECIFICATIONS



#### Distance from Wall

45.47"-63.00" (1155-1600mm)



#### Pitch | Swivel (during installation) | Roll

±20° | 360° | ±10°



#### Max Load

25lb (11kg)

#### Product Dimensions (W x H x D)

9.60" x 9.60"-10.60" x 46.85"-64.37"  
(244 x 244-271 x 1190-1635mm)

#### Mounting Surfaces

Wood, concrete and other structures  
(Other structures require accessory)

#### Ship Weight

17.5lb (7.9kg)

### CERTIFICATIONS



**RoHS**  
2002/95/EC

### ACCESSORIES



#### ACC215/415/615:

Metal Stud Fastener Kit ..... pg# 234



#### IBA models:

In-wall boxes ..... pg# 227



MODELS

Universal Models:

Includes standard hardware (hex or Phillips) for attaching whiteboard to mount

- IWB600-UNIV** Silver
- IWB680-W** White

MOUNTING PATTERNS

**IWB600-UNIV:** Infinite x 48.00"-76.00"  
(1219-1930mm)

- Dedicated holes for:
- 60" SMART Board™ SB560
  - 72" SMART Board™ SB580
  - 64" SMART Board™ SB660
  - 77" SMART Board™ SB680
  - 77" SMART Board™ SB880
  - 77" SMART Board™ SBX880
  - 77" Marsh Board PR4050000
  - 63" Hitachi StarBoard® DUO
  - 77" Hitachi StarBoard® DUO
  - 77" Hitachi StarBoard® TRIO
  - 88" Hitachi StarBoard® DUO
  - 77" Interwrite DualBoard™ 1277
  - 64" Promethean ActivBoard™ 164
  - 78" Promethean ActivBoard™ 178
  - 78" Promethean ActivBoard™ 378 PRO
  - 87" Promethean ActivBoard™ 387 PRO
  - 95" Promethean ActivBoard™ 395 PRO

**IWB680-W:** VESA® up to 800 x 600mm

SPECIFICATIONS



Distance from Wall

- IWB600-UNIV:** 5.82"-7.35" (148-187mm)
- IWB680-W:** 3.72"-5.00" (94-127mm)



Max Load

- IWB600-UNIV:** 70lb (32kg)
- IWB680-W:** 250lb (113.6kg)

Product Dimensions (H x D)

- IWB600-UNIV (Each Rail):** 48.00"-76.00" x 5.82"-7.35"  
(1219-1930 x 148-187mm)
- IWB680-W:** 30.52"-54.25" x 57.70"-73.44"  
x 3.72"-5.00"  
(778-1378 x 1466-1866 x 94-127mm)

Mounting Surfaces

Wood, concrete and other structures  
(Other structures require accessory)

Ship Weight

- IWB600-UNIV:** 18.5lb (8.4kg)
- IWB680-W:** 36.5lb (16.59kg)

CERTIFICATIONS



ACCESSORIES



**ACC956:**  
Adhesive Bumpers  
Contact Peerless-AV® Customer Care for more information

# Universal Whiteboard Mount

For attaching over existing marker boards and chalkboards

1. Hook-on design simplifies the installation
2. Telescoping vertical rails allow the mount to accommodate existing boards
3. Mounts over existing marker board/chalkboard with depth adjustability

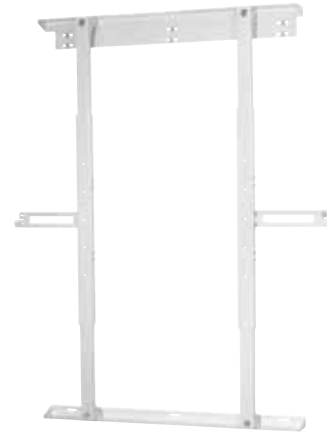
IWB600-UNIV



IWB600-UNIV

1. Four individual clamps enable virtually any board up to 1.75" (45mm) thick to be easily mounted
2. Fitted with dedicated mounting hole patterns for industry leading whiteboards for an increase in attachment versatility
3. Some whiteboards may require bumpers, ACC956, to be added between the mount and the board to make the board more rigid

IWB680-W



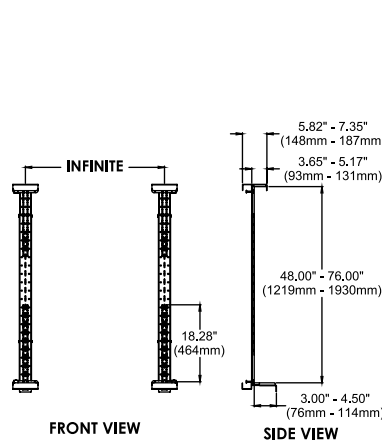
IWB680-W

1. Fits interactive displays with VESA® mounting patterns up to 800 x 600mm and weight loads up to 250lb (113.6kg)
2. Stability brackets prevent the display from bouncing during touch interactive use

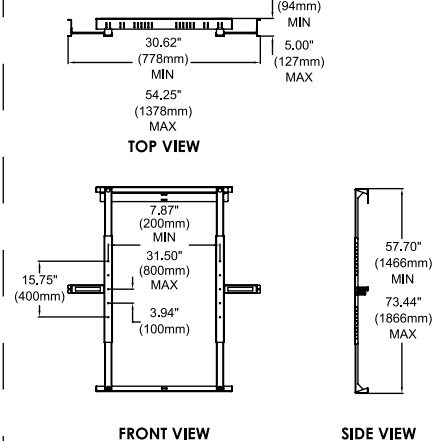
TECHNICAL DRAWINGS

For expanded product information and technical data visit [peerless-av.com](http://peerless-av.com)

IWB600-UNIV



IWB680-W



To verify mount compatibility with any display or projector model use MountFinder™ at [peerless-av.com](http://peerless-av.com).



CALL: 630-375-5100  
800-865-2112



FAX: 630-820-8537  
800-359-6500



E-MAIL: [info@peerless-av.com](mailto:info@peerless-av.com)



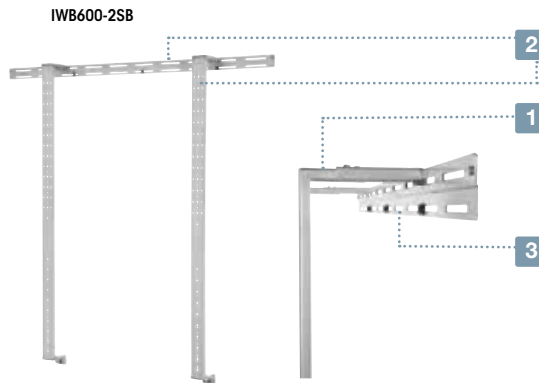
ON-LINE: [peerless-av.com](http://peerless-av.com)



# Dedicated Whiteboard Mount

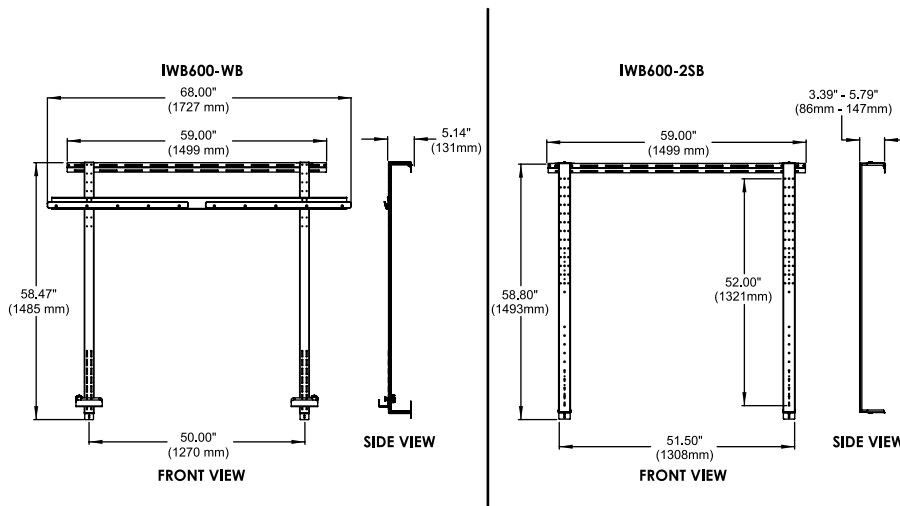
For attaching over existing marker boards and chalkboards

1. Mounts over the existing marker board/chalkboard with depth adjustable wall brackets
2. Vertical and horizontal whiteboard adjustment
3. Hook-on design allows for single person installation
4. Some boards may require bumpers, ACC956, to be added between the mount and the board in order to make the board more rigid



For expanded product information and technical data visit [peerless-av.com](http://peerless-av.com)

## TECHNICAL DRAWINGS



## MODELS

### Dedicated Models:

Includes standard hardware (hex or Phillips) for attaching whiteboard to mount

<b>IWB600-WB</b>	Silver
<b>IWB600-2SB</b>	Silver

## WHITEBOARD ADAPTOR

Dedicated Models  
Compatible with:

<b>IWB600-WB:</b>	SMART Board™ SB580, 600, 600i, 685ix, 800, 800i and 880
<b>IWB600-2SB:</b>	64" SMART Board™ SB660 77" SMART Board™ SB680 77" Marsh Board PR4050000 63" Hitachi StarBoard® DUO 77" Hitachi StarBoard® DUO 77" Hitachi StarBoard® TRIO 88" Hitachi StarBoard® DUO 77" Interwrite DualBoard™ 1277 64" Promethean ActivBoard™ 164 78" Promethean ActivBoard™ 178 78" Promethean ActivBoard™ 378 PRO 87" Promethean ActivBoard™ 387 PRO 95" Promethean ActivBoard™ 395 PRO

## SPECIFICATIONS

### Distance from Wall

<b>IWB600-WB:</b>	4.59"-5.14" (117-131mm)
<b>IWB600-2SB:</b>	3.39"-5.79" (86-147mm)



### Max Load

70lb (32kg)

### Product Dimensions (W x H x D)

**IWB600-WB:** 68.00" x 58.47" x 5.14"  
(1727 x 1485 x 131mm)

**IWB600-2SB:** 59.00" x 58.80" x 3.39"-5.79"  
(1499 x 1493 x 86-147mm)

### Mounting Surfaces

Wood, concrete and other structures  
(Other structures require accessory)

### Ship Weight

<b>IWB600-WB:</b>	23lb (10.4kg)
<b>IWB600-2SB:</b>	19.5lb (8.8kg)

## CERTIFICATIONS



## ACCESSORIES



### ACC956:

Adhesive Bumpers  
Contact Peerless-AV® Customer Care for more information

To verify mount compatibility with any display or projector model use MountFinder™ at [peerless-av.com](http://peerless-av.com).



CALL: 630-375-5100  
800-865-2112



FAX: 630-820-8537  
800-359-6500



E-MAIL:  
[info@peerless-av.com](mailto:info@peerless-av.com)



ON-LINE:  
[peerless-av.com](http://peerless-av.com)



MODELS

Includes standard hardware (hex or Phillips) for attaching projector to mount

Adjustable Models:

**AEC models** Black, silver, white, antimicrobial\* black or antimicrobial\* white

Fixed Models:

**EXT models** Black, silver, white, antimicrobial\* black or antimicrobial\* white

SPECIFICATIONS

	<b>Distance from Ceiling</b>	See chart
	<b>Max Load</b>	AEC Models: 500lb (227kg) EXT Models:
	<b>Ship Weight</b>	See chart

CERTIFICATIONS



AEC006009 AB/AW - AEX1012-AB/AW:  
EXT006-AB/AW - EXT110-AB/AW:  
**agion**  
Nature's antimicrobial

ACCESSORIES

	<b>ACC, CMJ Models:</b> Ceiling Plates .....pg# 228, 230
	<b>ACC640(-B)(-W):</b> Escutcheon Ring.....pg# 232
	<b>ACC109:</b> Extension Column Connector .....pg# 231

# Adjustable and Fixed Extension Columns

For up to 500lb (227kg)

1. 1.5" x 11.5 NPT (38mm) pipe, threaded on both ends
2. Made of lightweight aluminum for easy installation and lower-cost shipping
3. Height adjustable at 1" (25mm) increments for AEC models
4. Locking slot design enables easy, flexible height adjustment
5. Extension column lengths measure 1" (25mm) longer than stated to provide finished drop lengths for various mounts
6. Notch design at both ends for a set screw to lock the column and mount in place
7. Cable management access provided

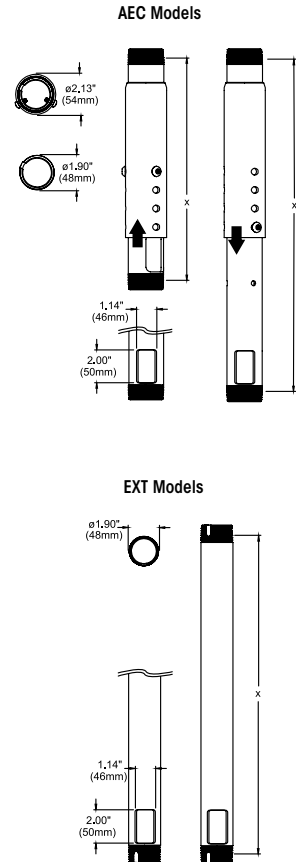


\*Antimicrobial protection is limited to the treated article and does not protect a user against disease causing bacteria. Always clean products thoroughly after each use. Visit [agion-tech.com](http://agion-tech.com) for more details.

TECHNICAL DRAWINGS

For expanded product information and technical data visit [www.peerless-av.com](http://www.peerless-av.com)

Model	Drop Length (X)	Ship Weight
<b>Adjustable Models:</b>		
AEC006009(-S)(-W)(-AB)(-AW)	6"-9" (0.15-0.23m)	1.3lb (0.6kg)
AEC009012(-S)(-W)(-AB)(-AW)	9"-12" (0.22-0.30m)	1.6lb (0.7kg)
AEC012018(-S)(-W)(-AB)(-AW)	12"-18" (0.30-0.46m)	2.2lb (1kg)
AEC018024(-S)(-W)(-AB)(-AW)	18"-24" (0.46-0.61m)	2.9lb (1.3kg)
AEC0203(-S)(-W)(-AB)(-AW)	2'-3" (0.61-0.91m)	4.1lb (1.9kg)
AEC0305(-S)(-W)(-AB)(-AW)	3'-5" (0.91-1.52m)	6.7lb (3kg)
AEC0406(-S)(-W)(-AB)(-AW)	4'-6" (1.22-1.83m)	9.1lb (4.1kg)
AEC0507(-S)(-W)(-AB)(-AW)	5'-7" (1.52-2.13m)	10.4lb (4.7kg)
AEC0608(-S)(-W)(-AB)(-AW)	6'-8" (1.83-2.44m)	11.4lb (5.2kg)
AEC0810(-S)(-W)(-AB)(-AW)	8'-10" (2.44-3.05m)	13.9lb (6.3kg)
AEC1012(-S)(-W)(-AB)(-AW)	10'-12" (3.05-3.66m)	16lb (7.3kg)
<b>Fixed Models:</b>		
EXT002	Flush	1lb (0.4kg)
EXT006(S)(-W)(-AB)(-AW)	6" (15cm)	1lb (0.4kg)
EXT018(S)(-W)(-AB)(-AW)	18" (46cm)	1lb (0.4kg)
EXT101(S)(-W)(-AB)(-AW)	1' (0.3m)	2lb (0.8kg)
EXT102(S)(-W)(-AB)(-AW)	2' (0.6m)	2lb (0.8kg)
EXT103(S)(-W)(-AB)(-AW)	3' (0.9m)	3lb (1.2kg)
EXT104(S)(-W)(-AB)(-AW)	4' (1.2m)	4lb (1.8kg)
EXT105(S)(-W)(-AB)(-AW)	5' (1.5m)	6lb (2.7kg)
EXT106(S)(-W)(-AB)(-AW)	6' (1.8m)	7lb (3.2kg)
EXT107(-W)(-AB)(-AW)	7' (2.1m)	7lb (3.2kg)
EXT108(S)(-W)(-AB)(-AW)	8' (2.4m)	8lb (3.6kg)
EXT109(S)(-W)(-AB)(-AW)	9' (2.7m)	9lb (4.1kg)
EXT110(-W)(-AB)(-AW)	10' (3.1m)	11lb (5kg)



EXT models (1.9" OD)  
AEC models adjuster tube (2.3" OD) extension pipe (1.9" OD)

To verify mount compatibility with any display or projector model use MountFinder™ at [peerless-av.com](http://peerless-av.com).



## ***Design Your Custom AV Component Rack with Peerless-AV®***

- Offers built-to-order custom solutions via an online configurator tool
- Provides durability to static loads up to 12,250 pounds
- Delivers quality, AV within two weeks of placing the order

Our complete family of AV Racks features a modern, streamlined design with an ease-of-use and flexibility that fits any commercial use. Models range in size from 8 to 44 RUs and are available in 10 colors with a wide variety of options. Your custom AV rack is on its way with our online Rack Configurator application. **Order your custom rack @ [racks.peerless-av.com](http://racks.peerless-av.com)**



## ***Sleek, Secure and Adjustable***

- Convenient AV component storage for clutter-free look
- Easily incorporate AV components into any environment
- Versatile solutions that make organization easy

Flexible and space-saving, this sleek and stylish shelf mounts to a single stud, creating a simple mounting solution to fit your needs.

**Learn more on page 211.**



## ***Lightweight, Durable and Adjustable***

- Lightweight mounting solutions for small to medium sized speakers
- Constructed steel or engineered plastic designs to fit customer preference
- Highly functional ball and socket pivot for easy alterations

Peerless-AV's Speaker and Camera Mounts give customers the ability to incorporate and alter their lightweight mounting solution for any application with ease. **Learn more on page 221.**



**AV RACKS**

**CFR Series Models**  
CFR - Champion Frame Rack Series  
19" Gangable Enclosures  
(24RU, 37RU, 40RU, 44RU) ..... pg# 206

**BFR Series Models**  
BFR - Standard Frame Rack Series  
19" Gangable Enclosures  
(24RU, 37RU, 40RU, 44RU) ..... pg# 207

**EFR Series Models**  
EFR - Enclosed Frame Rack Series  
19" Gangable Enclosures  
(18RU, 21RU, 27RU, 35RU, 40RU, 44RU) ..... pg# 208

**QER Series Models**  
QER - Quick and Easy Frame Rack Series  
Knock Down Frames  
(8RU, 14RU, 21RU, 29RU, 37RU, 43RU) ..... pg# 209

**FFR Series Models**  
FFR - Furniture Frame Rack Series  
19" Gangable Enclosures (8RU, 9RU,  
10RU, 11RU, 12RU, 13RU, 14RU) ..... pg# 210

**AVL/AVM Models**  
AVL/AVM - Component Rack System (15U/30U)  
Compatible with most standard  
19" rack accessories ..... pg# 211



**SPEAKER MOUNTS**

**PSP2/PSP5 Models**  
Universal Speaker Mount  
for speakers weighing up to 8lb (3kg) ..... pg# 220

**SPK811 Models**  
Universal Speaker Mount  
for speakers weighing up to 20lb (9kg) ..... pg# 221

**SPK26**  
Universal Speaker Mount  
for speakers weighing up to 26lb (12kg) .... pg# 222

**SPK815**  
Universal Speaker Mount  
for speakers weighing up to 75lb (34kg) ..... pg# 222

**CAMERA MOUNTS**

**CMR410**  
Camera Mounts  
for Small to Medium Security Cameras ..... pg# 223



**AV COMPONENT SHELVES/STORAGE**

**ESHV10/20/30 Models**  
Single & Dual AV Wall Shelves  
for AV Components ..... pg# 212

**PS200**  
Adjustable Shelf  
for AV Components ..... pg# 213

**VPM/DS Models**  
Adjustable AV Component Shelves  
for most AV Components ..... pg# 214

**ACC931/932/951 Models**  
AV Component Shelf Accessory Brackets  
for Articulating, Pivot and Ceiling Mounts .... pg# 215

**ACC309/DSX200 Models**  
Video Conference &  
Media Device Shelves ..... pg# 216

**ACC-WMVCS**  
SmartMount® Video Conferencing  
Shelf Accessory Compatible with  
Stated Peerless-AV® Mounts ..... pg# 217

**GC-UNV**  
Universal Game Console Security Mount  
for Displays up to 56". Holds PS3™,  
Xbox 360™ and Wii™ internally ..... pg# 218

**GC Models**  
Game Console Security Covers  
Holds PS3™, Xbox 360S™  
and Wii™ internally ..... pg# 219

**CABLES**

**SL-HDRU02**  
SlimLine® High Speed HDMI® Cable  
with Ethernet for Rear and Side  
Mounted Connectors ..... pg# 224

**DEB-HD10**  
Delta Series High Speed  
HDMI® Cables with Ethernet ..... pg# 224

**DEW-RR05, DEW-JR05, DEW-JJ05 Models**  
Stereo High Performance Audio Cable ..... pg# 224



CALL: 630-375-5100  
800-865-2112



FAX: 630-820-8537  
800-359-6500



E-MAIL:  
info@peerless-av.com



ONLINE:  
peerless-av.com



**CONFIGURE YOUR CUSTOM RACK @**  
racks.peerless-av.com

Use our online configurator to build your own rack, select a pre-configured rack or customize both with accessories.

**MODELS**

**CFR Series:** 24RU  
37RU  
40RU  
44RU

10 standard colors available. Additional custom colors and logos available by request.

**SPECIFICATIONS**



**Max Load**

12,250lb (5557kg)

**Product Dimensions (H x D)**

See chart

**Ship Weight**

Ship weight is dependent on type and number of accessories added to configuration

**CERTIFICATIONS**



**ACCESSORIES**



Visit [racks.peerless-av.com](http://racks.peerless-av.com) to view full line of rack accessories including doors, panels, drawers, shelves, chassis guides, cooling options, lacing bars, power strips and casters.

# CFR - Champion Frame Rack Series

## 19" Gangable Enclosures (24RU, 37RU, 40RU, 44RU)

1. Available in four panel heights, two rack depths, and a 24" rack width
2. Fully welded rack construction - 12,250lb (5557kg) Static Load Rating
3. Heavy duty caster base integrated into CFR Series rack design
4. Two pair of #M6 universal (square), fully adjustable mounting channels with individually marked RU's
5. Two studs in the frame base for proper grounding
6. Electrical knock-outs (1/2", 5/8", 3/4", 1", 1 1/2" and UHF/VHF Antenna) on rear, removable plates
7. Four 1,000lb leg levelers included
8. Racks can be joined together with simple hardware

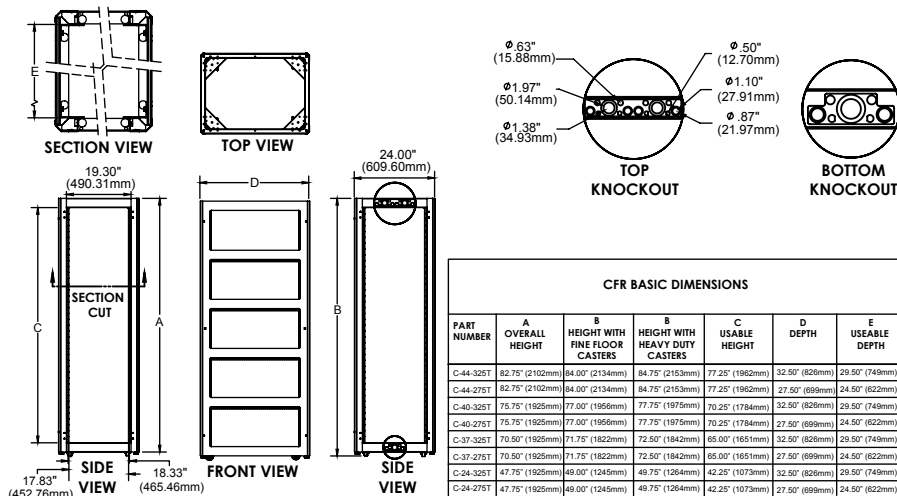


Model	Product Dimensions (H x D)
<b>24RU: 42"</b>	
C-24-275(T)(S)	44.75" x 27.7" (1213 x 699mm)
C-24-325(T)(S)	44.75" x 32.5" (1213 x 826mm)
<b>37RU: 64.75"</b>	
C-37-275(T)(S)	70.5" x 27.5" (1791 x 699mm)
C-37-325(T)(S)	70.5" x 32.5" (1791 x 826mm)
<b>40RU: 70"</b>	
C-40-275(T)(S)	75.75" x 27.5" (1925 x 699mm)
C-40-325(T)(S)	75.75" x 32.5" (1925 x 826mm)
<b>44RU: 77"</b>	
C-44-275(T)(S)	82.75" x 27.5" (2102 x 699mm)
C-44-325(T)(S)	82.75" x 32.5" (2102 x 826mm)

(T) = Two pair of #10-32 Tapped Mounting Channels  
(S) = M6 Square Hole Mounting Channels

**TECHNICAL DRAWINGS**

For expanded product information and technical data visit [peerless-av.com](http://peerless-av.com)



To verify mount compatibility with any display or projector model use MountFinder™ at [peerless-av.com](http://peerless-av.com).



CALL: 630-375-5100  
800-865-2112



FAX: 630-820-8537  
800-359-6500



E-MAIL: [info@peerless-av.com](mailto:info@peerless-av.com)



ON-LINE: [peerless-av.com](http://peerless-av.com)

# BFR - Standard Frame Rack Series

19" Gangable Enclosures (24RU, 37RU, 40RU, 44RU)

CONFIGURE YOUR  
CUSTOM RACK @  
racks.peerless-av.com



Use our online configurator to build your own rack, select a pre-configured rack or customize both with accessories.

1. Available in four panel heights, four rack depths, and a narrow 22" rack width
2. Fully welded rack construction -12,250lb (5557kg) Static Load Rating
3. Heavy duty caster base integrated into BFR Series rack design
4. Two pair of #M6 universal (square), fully adjustable mounting channels with individually marked RU's
5. Two studs in the frame base for proper grounding
6. Electrical knock-outs (1/2", 5/8", 3/4", 1", 1 1/2" and UHF/VHF Antenna) on rear, removable plates
7. Four 1,000lb leg levelers included
8. Racks can be joined together with simple hardware



## MODELS

**BFR Series:** 24RU  
37RU  
40RU  
44RU

10 standard colors available. Additional custom colors and logos available by request.

## SPECIFICATIONS



Max Load

12,250lb (5557kg)

Product Dimensions (H x D)

See chart

Ship Weight

Ship weight is dependent on type and number of accessories added to configuration

## CERTIFICATIONS



## ACCESSORIES



Visit [racks.peerless-av.com](http://racks.peerless-av.com) to view full line of rack accessories including doors, panels, drawers, shelves, chassis guides, cooling options, lacing bars, power strips and casters.

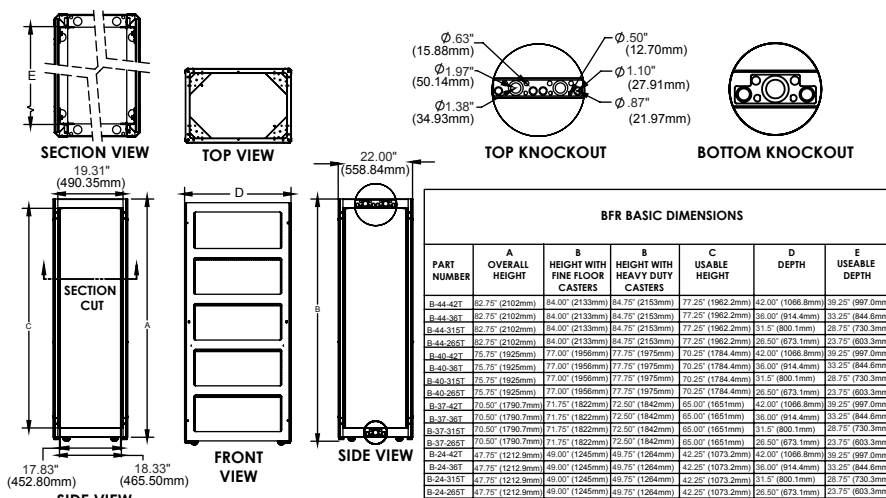
Model	Product Dimensions (H x D)
<b>24RU: 42"</b>	
B-24-265(T)(S)	44.75" x 26.5" (1213 x 673mm)
B-24-315(T)(S)	44.75" x 31.5" (1213 x 800mm)
B-24-36(T)(S)	44.75" x 36" (1213 x 914mm)
B-24-42(T)(S)	44.75" x 42" (1213 x 1067mm)
<b>37RU: 64.75"</b>	
B-37-265(T)(S)	70.5" x 26.5" (1791 x 673mm)
B-37-315(T)(S)	70.5" x 31.5" (1791 x 800mm)
B-37-36(T)(S)	70.5" x 36" (1791 x 914mm)
B-37-42(T)(S)	70.5" x 42" (1791 x 1067mm)

Model	Product Dimensions (H x D)
<b>40RU: 70"</b>	
B-40-265(T)(S)	75.75" x 26.5" (1925 x 673mm)
B-40-315(T)(S)	75.75" x 31.5" (1925 x 800mm)
B-40-36(T)(S)	75.75" x 36" (1925 x 914mm)
B-40-42(T)(S)	75.75" x 42" (1925 x 1067mm)
<b>44RU: 77"</b>	
B-44-265(T)(S)	82.75" x 26.5" (2102 x 673mm)
B-44-315(T)(S)	82.75" x 31.5" (2102 x 800mm)
B-44-36(T)(S)	82.75" x 36" (2102 x 914mm)
B-44-42(T)(S)	82.75" x 42" (2102 x 1067mm)

(T) = Two pair of #10-32 Tapped Mounting Channels  
(S) = M6 Square Hole Mounting Channels

For expanded product information and technical data visit [peerless-av.com](http://peerless-av.com)

## TECHNICAL DRAWINGS



To verify mount compatibility with any display or projector model use MountFinder™ at [peerless-av.com](http://peerless-av.com).



CALL: 630-375-5100  
800-865-2112



FAX: 630-820-8537  
800-359-6500



E-MAIL: info@peerless-av.com



ON-LINE: [peerless-av.com](http://peerless-av.com)



**CONFIGURE YOUR CUSTOM RACK @**  
racks.peerless-av.com

Use our online configurator to build your own rack, select a pre-configured rack or customize both with accessories.

**MODELS**

- EFR Series:**
- 18RU
  - 21RU
  - 27RU
  - 35RU
  - 40RU
  - 44RU

10 standard colors available. Additional custom colors and logos available by request.

**SPECIFICATIONS**

<b>Max Load</b>	12,250lb (5557kg)
<b>Product Dimensions (H x D)</b>	See chart
<b>Ship Weight</b>	Ship weight is dependent on type and number of accessories added to configuration

**CERTIFICATIONS**



**ACCESSORIES**



Visit [racks.peerless-av.com](http://racks.peerless-av.com) to view full line of rack accessories including doors, panels, drawers, shelves, chassis guides, cooling options, lacing bars, power strips and casters.

# EFR - Enclosed Frame Rack Series

## 19" Gangable Enclosures (18RU, 21RU, 27RU, 35RU, 40RU, 44RU)

- Available in six panel heights, two rack depths, and a narrow 22" rack width
- Non-removable side panels integrated into frame design
- Fully welded rack construction - 12,250lb (5557kg) Static Load Rating
- Heavy duty caster base integrated into EFR Series rack design
- Two pair of #M6 universal (square), fully adjustable mounting channels with individually marked RU's
- Two studs in the frame base for proper grounding
- Electrical knock-outs (1/2", 5/8", 3/4", 1", 1 1/2" and UHF/VHF Antenna) on rear, removable plates
- Four 1,000lb leg levelers included
- Racks can be joined together with simple hardware

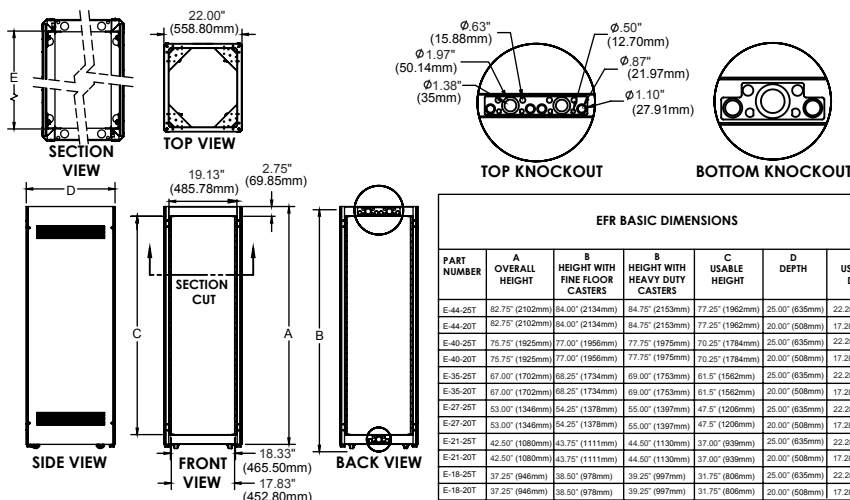


Model	Product Dimensions (H x D)	Model	Product Dimensions (H x D)
<b>18RU: 31.5"</b>		<b>35RU: 61.25"</b>	
E-18-20(T)(S)	37.25" x 20" (946 x 508mm)	E-35-20(T)(S)	67" x 20" (1702 x 508mm)
E-18-25(T)(S)	37.25" x 25" (946 x 635mm)	E-35-25(T)(S)	67" x 25" (1702 x 635mm)
<b>21RU: 36.75"</b>		<b>40RU: 70"</b>	
E-21-20(T)(S)	42.5" x 20" (1080 x 508mm)	E-40-20(T)(S)	75.75" x 20" (1925 x 508mm)
E-21-25(T)(S)	42.5" x 25" (1080 x 635mm)	E-40-25(T)(S)	75.75" x 25" (1925 x 635mm)
<b>27RU: 47.25"</b>		<b>44RU: 77"</b>	
E-27-20(T)(S)	53" x 20" (1346 x 508mm)	E-44-20(T)(S)	82.75" x 20" (2102 x 508mm)
E-27-25(T)(S)	53" x 25" (1346 x 635mm)	E-44-25(T)(S)	82.75" x 25" (2102 x 635mm)

(T) = Two pair of #10-32 Tapped Mounting Channels  
(S) = M6 Square Hole Mounting Channels

**TECHNICAL DRAWINGS**

For expanded product information and technical data visit [peerless-av.com](http://peerless-av.com)



To verify mount compatibility with any display or projector model use MountFinder™ at [peerless-av.com](http://peerless-av.com).



# QER - Quick and Easy Frame Rack Series

## Knock Down Frames (8RU, 14RU, 21RU, 29RU, 37RU, 43RU)

1. Available in six panel heights, two rack depths (20" and 26") and a very narrow 20" rack width
2. Easy to assemble (less than 3 minutes)
3. Squaring brackets allow you to assemble the frame with just 8 bolts
4. Available in pre-configured Kits (including drawers, shelves, casters, hardware, power strips)
5. Open frame design provides stability and makes assembly quick and easy
6. Silk-screened RU markings

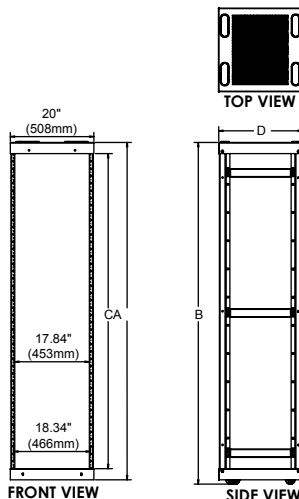


Model	Product Dimensions (H x D)
<b>8RU:</b>	
Q-8-20	19.5" x 20" (495 x 508mm)
Q-8-26	19.5" x 26" (495 x 660mm)
<b>14RU:</b>	
Q-14-20	30" x 20" (762 x 508mm)
Q-14-26	30" x 26" (762 x 660mm)
<b>21RU:</b>	
Q-21-20	42.25" x 20" (1073 x 508mm)
Q-21-26	42.25" x 26" (1073 x 660mm)

Model	Product Dimensions (H x D)
<b>29RU:</b>	
Q-29-20	56.25" x 20" (1428 x 508mm)
Q-29-26	56.25" x 26" (1428 x 660mm)
<b>37RU:</b>	
Q-37-20	70.25" x 20" (1784 x 508mm)
Q-37-26	70.25" x 26" (1784 x 660mm)
<b>43RU:</b>	
Q-43-20	80.75" x 20" (2051 x 508mm)
Q-43-26	80.75" x 26" (2051 x 660mm)

For expanded product information and technical data visit [peerless-av.com](http://peerless-av.com)

### TECHNICAL DRAWINGS



PART NUMBER	A OVERALL HEIGHT	B HEIGHT WITH FINE FLOOR CASTERS	C USABLE HEIGHT	D USABLE DEPTH
Q43-20	80.75" (2051mm)	81.75" (2076mm)	75.43" (1916mm)	20" (508mm)
Q37-20	70.25" (1784mm)	71.25" (1784mm)	64.90" (1649mm)	20" (508mm)
Q29-20	56.25" (1428mm)	57.25" (1428mm)	50.90" (1293mm)	20" (508mm)
Q21-20	42.25" (1073mm)	43.25" (1098mm)	36.90" (938mm)	20" (508mm)
Q14-20	30.00" (762mm)	31.00" (787mm)	24.70" (627mm)	20" (508mm)
Q8-20	19.50" (495mm)	20.50" (520mm)	14.20" (360mm)	20" (508mm)
Q43-26	80.75" (2051mm)	81.75" (2076mm)	75.43" (1916mm)	26" (660mm)
Q37-26	70.25" (1784mm)	71.25" (1784mm)	64.90" (1649mm)	26" (660mm)
Q29-26	56.25" (1428mm)	57.25" (1428mm)	50.90" (1293mm)	26" (660mm)
Q21-26	42.25" (1073mm)	43.25" (1098mm)	36.90" (938mm)	26" (660mm)
Q14-26	30.00" (762mm)	31.00" (787mm)	24.70" (627mm)	26" (660mm)
Q8-26	19.50" (495mm)	20.50" (520mm)	14.20" (360mm)	26" (660mm)

To verify mount compatibility with any display or projector model use MountFinder™ at [peerless-av.com](http://peerless-av.com).



CALL: 630-375-5100  
800-865-2112



FAX: 630-820-8537  
800-359-6500



E-MAIL:  
[info@peerless-av.com](mailto:info@peerless-av.com)



ON-LINE:  
[peerless-av.com](http://peerless-av.com)

CONFIGURE YOUR  
CUSTOM RACK @  
[racks.peerless-av.com](http://racks.peerless-av.com)



Use our online configurator to build your own rack, select a pre-configured rack or customize both with accessories.

### MODELS

<b>QER Series:</b>	8RU	Black
	14RU	Black
	21RU	Black
	29RU	Black
	37RU	Black
	43RU	Black
	QER Kits models available.	

### SPECIFICATIONS



#### Max Load

600lb (272kg)

#### Product Dimensions (H x D)

See chart

#### Ship Weight

Ship weight is dependent on type and number of accessories added to configuration

### CERTIFICATIONS



### ACCESSORIES



Visit [racks.peerless-av.com](http://racks.peerless-av.com) to view full line of rack accessories including doors, panels, drawers, shelves, chassis guides, cooling options, lacing bars, power strips and casters.



CONFIGURE YOUR CUSTOM RACK @ [racks.peerless-av.com](http://racks.peerless-av.com)

Use our online configurator to build your own rack, select a pre-configured rack or customize both with accessories.

MODELS

<b>FFR Series:</b>	8RU	Black
	9RU	Black
	10RU	Black
	11RU	Black
	12RU	Black
	13RU	Black
	14RU	Black

SPECIFICATIONS

	<b>Max Load</b>	
		400lb (181kg)
<b>Product Dimensions</b>	(H x D)	
		See chart
<b>Ship Weight</b>		
		Ship weight is dependent on type and number of accessories added to configuration

CERTIFICATIONS



ACCESSORIES



Visit [racks.peerless-av.com](http://racks.peerless-av.com) to view full line of rack accessories including doors, panels, drawers, shelves, chassis guides, cooling options, lacing bars, power strips and casters.

# FFR - Furniture Frame Rack Series

## 19" Gangable Enclosures (8RU, 9RU, 10RU, 11RU, 12RU, 13RU, 14RU)

1. Low profile open rack perfect for AV equipment inside lecterns, credenzas and entertainment systems
2. Formed steel corner posts, welded construction and individual RU markings on the #10-32 tapped posts
3. Two welded horizontal lacing strips are located between top and bottom of rack for cable management
4. Rack is available in panel opening heights from 8RU-14RU, and in 16" and 18" rack depths
5. Includes 2 Delrin runners – slides easily in/out cabinet without scratching surfaces
6. Accommodates standard accessories – horizontal power strips, digital fan panels, blanking panels, shelves and cable lacing bars
7. Anchoring holes are available in top/bottom/sides of rack for installation flexibility



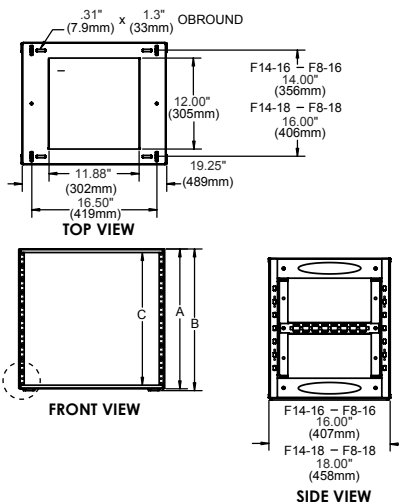
3

Model	Product Dimensions (H x D)
<b>8RU:</b>	
F-8-16	14.94" x 16" (379 x 406mm)
F-8-18	14.94" x 18" (379 x 457mm)
<b>9RU:</b>	
F-9-16	16.69" x 16" (424 x 406mm)
F-9-18	16.69" x 18" (424 x 457mm)
<b>10RU:</b>	
F-10-16	18.44" x 16" (468 x 406mm)
F-10-18	18.44" x 18" (468 x 457mm)
<b>11RU:</b>	
F-11-16	20.19" x 16" (513 x 406mm)
F-11-18	20.19" x 18" (513 x 457mm)

Model	Product Dimensions (H x D)
<b>12RU:</b>	
F-12-16	21.94" x 16" (557 x 406mm)
F-12-18	21.94" x 18" (557 x 457mm)
<b>13RU:</b>	
F-13-16	23.69" x 16" (602 x 406mm)
F-13-18	23.69" x 18" (602 x 457mm)
<b>14RU:</b>	
F-14-16	25.44" x 16" (646 x 406mm)
F-14-18	25.44" x 18" (646 x 457mm)

TECHNICAL DRAWINGS

For expanded product information and technical data visit [peerless-av.com](http://peerless-av.com)



PART NUMBER	A OVERALL HEIGHT	B OVERALL HEIGHT WITH RUNNER	C USABLE HEIGHT	USABLE DEPTH	RACK SPACES
F14-18	25.44" (646mm)	25.69" (653mm)	24.50" (622mm)	18" (406mm)	14
F13-18	23.89" (602mm)	23.94" (608mm)	22.75" (578mm)	18" (406mm)	13
F12-18	21.94" (557mm)	22.19" (564mm)	21.00" (533mm)	18" (406mm)	12
F11-16	20.19" (513mm)	20.44" (519mm)	19.25" (489mm)	18" (406mm)	11
F10-16	18.44" (468mm)	18.69" (475mm)	17.50" (445mm)	18" (406mm)	10
F9-16	16.69" (424mm)	16.94" (430mm)	15.75" (400mm)	18" (406mm)	9
F8-16	14.94" (379mm)	15.19" (386mm)	14.00" (356mm)	18" (406mm)	8
F14-18	25.44" (646mm)	25.69" (653mm)	24.50" (622mm)	18" (406mm)	14
F13-18	23.89" (602mm)	23.94" (608mm)	22.75" (578mm)	18" (406mm)	13
F12-18	21.94" (557mm)	22.19" (564mm)	21.00" (533mm)	18" (406mm)	12
F11-18	20.19" (513mm)	20.44" (519mm)	19.25" (489mm)	18" (406mm)	11
F10-18	18.44" (468mm)	18.69" (475mm)	17.50" (445mm)	18" (406mm)	10
F9-18	16.69" (424mm)	16.94" (430mm)	15.75" (400mm)	18" (406mm)	9
F8-18	14.94" (379mm)	15.19" (386mm)	14.00" (356mm)	18" (406mm)	8

To verify mount compatibility with any display or projector model use MountFinder™ at [peerless-av.com](http://peerless-av.com).

# AVM/AVL - Component Rack System (15U/30U)

Compatible with most standard 19" rack accessories

1. Designed for managing components and providing an organized professional look to any AV installation
2. Unit comes fully assembled to help reduce installation time
3. Three sturdy 2U shelves (AVM) and four 2U shelves (AVL) accommodate most components
4. Rubber wheels enable virtually effortless movement from location to location
5. Integrated cable management clips assist with routing multiple bundles of cable
6. Open air vented panels, top and sides keep components cool
7. Removable handles provide ease of movement



AVL

4



AVM



5

1

## MODELS

### Universal Models:

Includes standard hardware (hex or Phillips) for attaching component to mount

<b>AVL</b>	30U	Black
<b>AVM</b>	15U	Black

## SPECIFICATIONS



### Max Load

<b>AVL:</b>	1,000lb (453kg)
<b>AVM:</b>	500lb (227kg)

### Product Dimensions (W x H x D)

<b>AVL:</b>	25.89" x 58.49" x 24.69" (658 x 1486 x 627mm)
<b>AVM:</b>	25.91" x 32.13" x 24.68" (658 x 816 x 627mm)

### Ship Weight

<b>AVL:</b>	114.6lb (52kg)
<b>AVM:</b>	86lb (39kg)

## CERTIFICATIONS

**RoHS**  
2002/95/EC

## ACCESSORIES



**AV-SHL:**  
5U Large Shelf



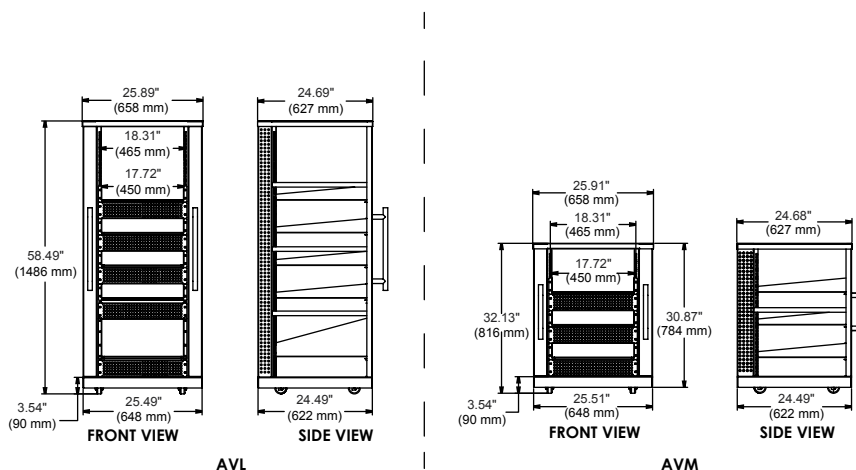
**AV-SHM:**  
2U Medium Shelf



**AV-VSP1:**  
2U Vented Seal Panel

For expanded product information and technical data visit [peerless-av.com](http://peerless-av.com)

## TECHNICAL DRAWINGS



To verify mount compatibility with any display or projector model use MountFinder™ at [peerless-av.com](http://peerless-av.com).



CALL: 630-375-5100  
800-865-2112



FAX: 630-820-8537  
800-359-6500



E-MAIL: [info@peerless-av.com](mailto:info@peerless-av.com)



ON-LINE: [peerless-av.com](http://peerless-av.com)




MODELS

Universal Models:

Includes standard hardware (hex or Phillips) for attaching component to mount

<b>ESHV10</b>	Black
<b>ESHV20</b>	Black with glass shelf
<b>ESHV30</b>	Black with two glass shelves

SPECIFICATIONS

 <b>Max Load</b>	30lb (13.6kg) per shelf
--	-------------------------

Product Dimensions	(W x H x D)
<b>ESHV10:</b>	10.67" x 13.41" x 10.13" (271 x 341 x 257mm)
<b>ESHV20:</b>	15.60" x 13.41" x 13.76" (396 x 341 x 350mm)
<b>ESHV30:</b>	15.60" x 25.44" x 13.76" (396 x 646 x 350mm)

Mounting Surfaces

Wood stud, concrete, cinder/breeze block

Ship Weight

<b>ESHV10:</b>	1.75lb (0.79kg)
<b>ESHV20:</b>	5.65lb (2.56kg)
<b>ESHV30:</b>	10.5lb (4.76kg)

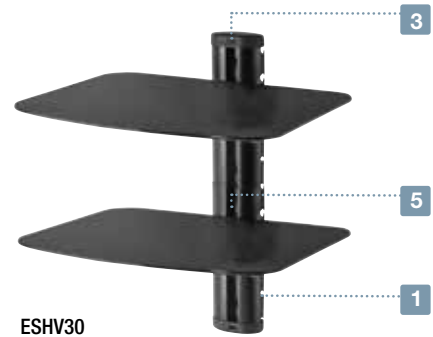
CERTIFICATIONS



# Single & Dual AV Wall Shelves

For AV Components

1. Cable management system helps keep cables concealed and organized
2. Supports up to 30lb (13.6kg) per shelf
3. Bubble level makes for a quick and easy installation
4. Strong, tempered glass shelves on ESHV20 and ESHV30; durable aluminum shelf on ESHV10
5. Shelves can be vertically adjusted to accommodate AV components of any height



ESHV30



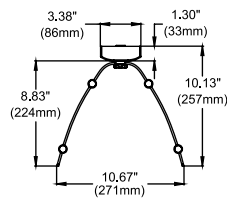
ESHV10



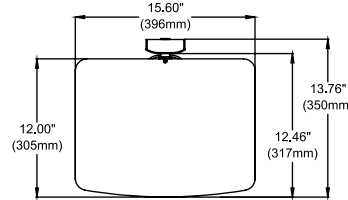
ESHV20

TECHNICAL DRAWINGS

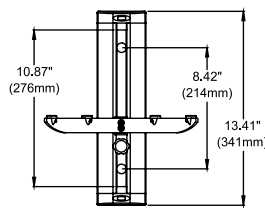
For expanded product information and technical data visit [peerless-av.com](http://peerless-av.com)



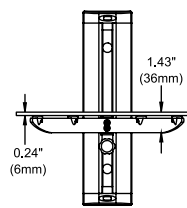
ESHV10  
TOP VIEW



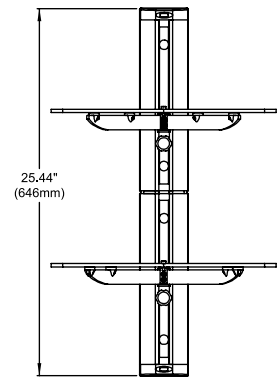
ESHV20 and ESHV30  
TOP VIEW



ESHV10  
FRONT VIEW



ESHV20  
FRONT VIEW



ESHV30  
FRONT VIEW

To verify mount compatibility with any display or projector model use MountFinder™ at [peerless-av.com](http://peerless-av.com).



CALL: 630-375-5100  
800-865-2112



FAX: 630-820-8537  
800-359-6500



E-MAIL: [info@peerless-av.com](mailto:info@peerless-av.com)



ON-LINE: [peerless-av.com](http://peerless-av.com)

# Adjustable Shelf

For AV Components

1. Versatile design ideal for stacking multiple AV components
2. Adjustable width up to 18.44" (468mm) and depth range of 14.86" to 23" (377-584mm)
3. Snap-on cover hides wall plate and mounting hardware
4. Adjustment knobs allow for easy leveling of components
5. Embossed arms with screw holes secure components to shelf
6. 100lb (45kg) load capacity allows stacking of multiple components, ideal for AV closets



## MODELS

### Universal Models:

Includes standard hardware (hex or Phillips) for attaching component to mount

**PS200** Black

## SPECIFICATIONS



### Max Load

100lb (45kg)

### Product Dimensions (W x H x D)

20.24" x 4.25" x 17.22"-25.36"  
(514 x 108 x 438-644mm)

### Mounting Surfaces

Wood stud, concrete, cinder/breeze block and metal stud (Metal stud accessory required)

### Ship Weight

10.7lb (4.8kg)

## CERTIFICATIONS



## ACCESSORIES



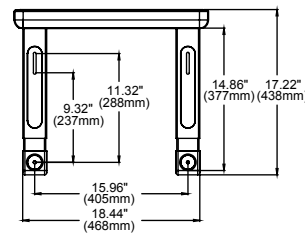
**ACC215:**  
2-pack Metal Stud Fastener Kit .....pg# 234



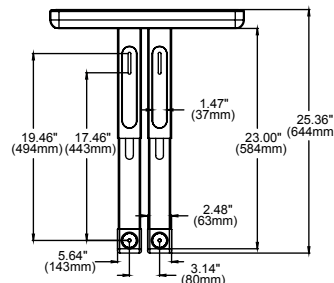
**IBA4-W:**  
Easy Mount Recessed Low Voltage Cable Plate ..... pg# 227

For expanded product information and technical data visit [peerless-av.com](http://peerless-av.com)

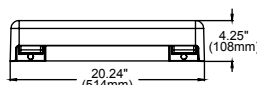
## TECHNICAL DRAWINGS



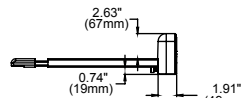
**TOP VIEW**  
MAXIMUM EXTENDED WIDTH  
MINIMUM RETRACTED LENGTH



**TOP VIEW**  
MINIMUM RETRACTED WIDTH  
MAXIMUM EXTENDED LENGTH



**FRONT VIEW**



**SIDE VIEW**

To verify mount compatibility with any display or projector model use MountFinder™ at [peerless-av.com](http://peerless-av.com).



CALL: 630-375-5100  
800-865-2112



FAX: 630-820-8537  
800-359-6500



E-MAIL:  
[info@peerless-av.com](mailto:info@peerless-av.com)




ON-LINE:  
[peerless-av.com](http://peerless-av.com)



MODELS

**VPM and DS models** Black & Silver (see chart)

SPECIFICATIONS

 <b>Max Load</b>	50lb (22kg)*
<b>Product Dimensions (W x H x D)</b>	See chart
<b>Ship Weight</b>	See chart

\* When stacking units, do not exceed the load capacity of the display mount and the maximum load capacity of 50lb (22kg) (combined weight of AV Component Shelves and AV components).

\*\* All Jumbo 2000® Mounts with the exception of JM2630, JM2640, JMW2630, JMW2640, JMC2630, JMC640, JMS2630, and JMS2640 which require VPM40-L

CERTIFICATIONS



ACCESSORIES



**ACC931/ ACC932/ ACC951:**  
AV Component Shelf Accessory  
Brackets for Articulating,  
Pivot and Ceiling Mounts .....pg# 215



**IBA4-W:**  
Easy Mount Recessed  
Low Voltage Cable Plate ..... pg# 227

# Adjustable AV Component Shelves

For Most AV Components

1. Adjustable height and width
2. Units can be stacked without additional accessories
3. Accommodates most front loading AV components
4. Security versions available



MODEL	Color	Security	Width Range	Height Range	Ship Weight
<b>AV Component Shelf with Mounting Hardware for Jumbo 2000® Series</b>					
VPM25-J	Black	No	13.25"-17.25" (337-438mm)	1.50"-2.75" (38-70mm)	4.7lb (2.1kg)
VPM35-J	Black	No	10.25"-14.25" (260-362mm)	2.69"-4.50" (68-114mm)	6lb (2.7kg)
VPM40-J	Black	No	13.25"-17.25" (337-438mm)	2.69"-4.50" (68-114mm)	6lb (2.7kg)
VPM45-J	Black	No	13.25"-17.25" (337-438mm)	4.25"-5.75" (108-146mm)	7lb (3.2kg)
<b>AV Component Shelf with Mounting Hardware for LWB354/530(T) models</b>					
VPM25-W	Black	No	13.25"-17.25" (337-438mm)	1.50"-2.75" (38-70mm)	4.4lb (2kg)
VPM40-W	Black	No	13.25"-17.25" (337-438mm)	2.69"-4.50" (68-114mm)	6lb (2.7kg)
<b>AV Component Shelf with Mounting Hardware for LWB373(T)</b>					
VPM35-S	Black	No	10.25"-14.25" (260-362mm)	2.69"-4.50" (68-114mm)	5.6lb (2.5kg)
VPM40-S	Black	No	13.25"-17.25" (337-438mm)	2.69"-4.50" (68-114mm)	5.6lb (2.5kg)
VPM45-S	Black	No	13.25"-17.25" (337-438mm)	4.25"-5.75" (108-146mm)	6.6lb (3kg)
<b>AV Component Shelf for Flat Panel Display Systems (ACC931/932/957)</b>					
DS25	Black	No	13.25"-17.25" (337-438mm)	1.50"-2.75" (38-70mm)	4lb (1.8kg)
DS35	Black	No	10.25"-14.25" (260-362mm)	2.69"-4.50" (68-114mm)	5lb (2.3kg)
DS40	Black	No	13.25"-17.25" (337-438mm)	2.69"-4.50" (68-114mm)	6lb (2.7kg)
DS45	Black	No	13.25"-17.25" (337-438mm)	4.25"-5.75" (108-146mm)	7lb (3.2kg)

To verify mount compatibility with any display or projector model use MountFinder™ at peerless-av.com.



CALL: 630-375-5100  
800-865-2112



FAX: 630-820-8537  
800-359-6500



E-MAIL:  
info@peerless-av.com



ON-LINE:  
peerless-av.com

# AV Component Shelf Accessory Brackets

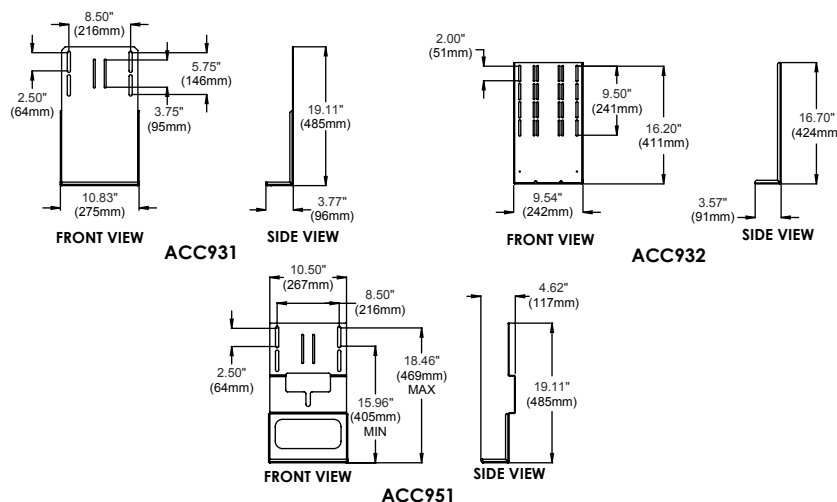
For Articulating, Pivot and Ceiling Mounts

1. Connects Peerless-AV articulating, pivot and ceiling mounts to AV Component Shelves
2. Screw attachment location provides theft-deterrence when AV component is installed
3. Can be installed without removing mount from wall
4. Height adjustability allows AV component to sit flush with display



For expanded product information and technical data visit [peerless-av.com](http://peerless-av.com)

## TECHNICAL DRAWINGS



## MODELS

### Universal Models:

Includes standard hardware (hex or Phillips) for attaching component to mount

<b>ACC931</b>	Black
<b>ACC931-S</b>	Silver
<b>ACC932</b>	Black
<b>ACC932-S</b>	Silver
<b>ACC951</b>	Gloss Black

## DVD/VCR CONNECTOR INTERFACE

- ACC931:** Connects AV Component Shelves and pivot/articulating/ceiling mounts with PLP model adaptor plates.
- ACC932:** Connects AV Component Shelves and pivot/articulating/ceiling mounts with VESA® 75, 100, 200 x 100 and 200 x 200mm mounting holes.
- ACC951:** Connects AV Component Shelves and SA752PU, SA761PU, SA763PU & SA771PU mounts together.

## SPECIFICATIONS



### Max Load

30lb (13kg)

### Product Dimensions (W x H x D)

<b>ACC931:</b>	10.83" x 19.11" x 3.77" (275 x 485 x 96mm)
<b>ACC932:</b>	9.54" x 16.70" x 3.57" (242 x 424 x 91mm)
<b>ACC951:</b>	10.50" x 19.11" x 4.62" (267 x 485 x 117mm)

### Mounting Surfaces

Peerless-AV articulating wall arms and AV component mounts  
(Requires Peerless-AV VPM or DS model AV Component shelves)

### Ship Weight

<b>ACC931:</b>	9lb (4.1kg)
<b>ACC932:</b>	6lb (2.7kg)
<b>ACC951:</b>	7lb (3kg)

## CERTIFICATIONS



## ACCESSORIES



**VPM and DS models:**  
AV Component Shelves .....pg# 214



**IBA4-W:**  
Easy Mount Recessed Low Voltage Cable Plate ..... pg# 227

To verify mount compatibility with any display or projector model use MountFinder™ at [peerless-av.com](http://peerless-av.com).



CALL: 630-375-5100  
800-865-2112



FAX: 630-820-8537  
800-359-6500



E-MAIL:  
[info@peerless-av.com](mailto:info@peerless-av.com)



ON-LINE:  
[peerless-av.com](http://peerless-av.com)



MODELS

Universal Models:

Includes standard hardware (hex or Phillips) for attaching component to mount

<b>ACC309</b>	Black
<b>DSX200</b>	Black

SPECIFICATIONS



Max Load

25lb (11kg)

Product Dimensions (W x H x D)

**ACC309:** 24.65" x 7.00" x 8.50"  
(626 x 178 x 216mm)

**DSX200:** 23.33" x 28.00" x 15.21"  
(593 x 711 x 386mm)

Mounting Surfaces

Wood stud

Ship Weight

**ACC309:** 6lb (2.7kg)  
**DSX200:** 18.75lb (8.5kg)

CERTIFICATIONS



# Video Conference & Media Device Shelves

ACC309

1. Mounts to 16" to 24" (406-610mm) wood studs
2. Shelf can be installed above or below display
3. 4" (102mm) of adjustable height to achieve ideal location of video conferencing equipment
4. Includes hardware for wood stud mounting



DSX200

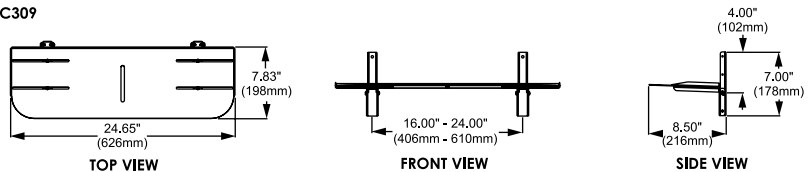
1. For media devices up to 18"W x 15"D (457 x 381mm)
2. Shelf can be mounted above or below the display
3. Adjustable shelf is easily moved vertically and horizontally
4. Safety belt secures media devices for added support



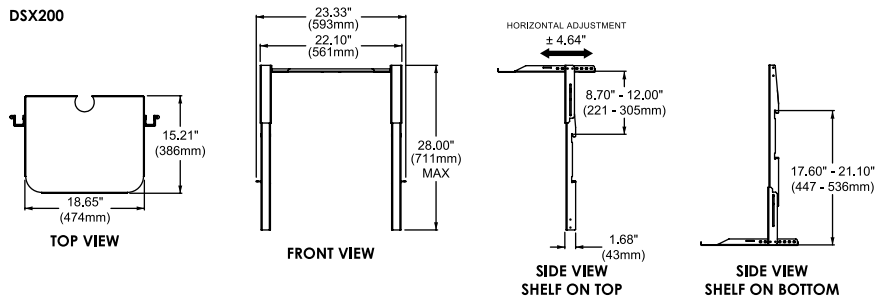
TECHNICAL DRAWINGS

For expanded product information and technical data visit [peerless-av.com](http://peerless-av.com)

ACC309



DSX200



To verify mount compatibility with any display or projector model use MountFinder™ at [peerless-av.com](http://peerless-av.com).



CALL: 630-375-5100  
800-865-2112



FAX: 630-820-8537  
800-359-6500



E-MAIL: [info@peerless-av.com](mailto:info@peerless-av.com)



ON-LINE: [peerless-av.com](http://peerless-av.com)



SMARTMOUNT.

## Video Conferencing Shelf Accessory

Compatible With Stated Peerless-AV® Mounts

1. Universal, fits virtually any video conferencing cameras including Polycom™, LifeSize® and Cisco®
2. Compatible with Peerless-AV® SA752PU, SA761PU, SA771PU, SAX755PU, SAX762PU, SAX772PU, SF640, SF650, SF660, SFX645, SFX560, SFX660, ST640, ST650, ST660, STX645, STX650 and STX660 mounts
3. Simple height adjustment provides perfect camera positioning
4. Mounts above or below the display
5. Low-profile design
6. Cable management slot keeps cables and cords neatly organized



## MODELS

## Dedicated Models:

Includes theft resistant hardware for attaching display to mount  
**ACC-WMVCS** Black

## SPECIFICATIONS



## Max Load

15lb (6.83kg)

## Product Dimensions (W x H x D)

14.63" x 22.00" x 8.17"  
(371 x 559 x 208mm)

## Ship Weight

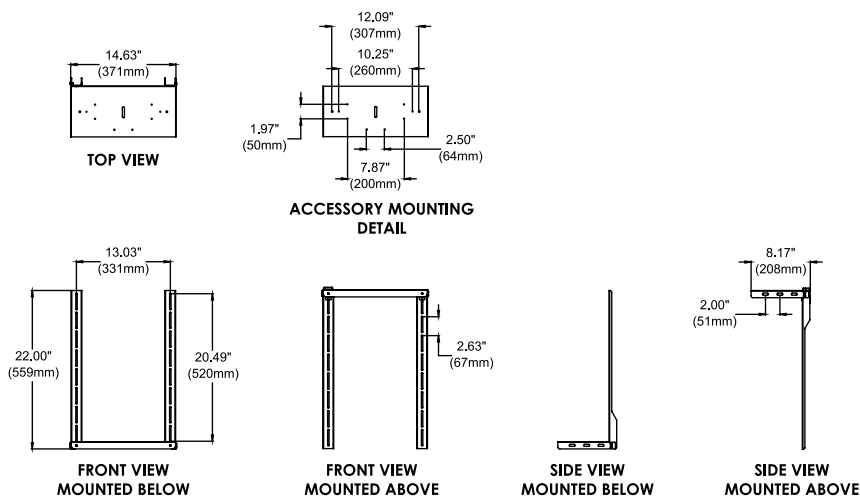
5.52lb (2.50kg)

## CERTIFICATIONS

RoHS

For expanded product information and technical data visit [peerless-av.com](http://peerless-av.com)

## TECHNICAL DRAWINGS

To verify mount compatibility with any display or projector model use MountFinder™ at [peerless-av.com](http://peerless-av.com).CALL: 630-375-5100  
800-865-2112FAX: 630-820-8537  
800-359-6500E-MAIL:  
[info@peerless-av.com](mailto:info@peerless-av.com)ON-LINE:  
[peerless-av.com](http://peerless-av.com)



MODELS

Universal Models:

Includes theft resistant hardware for attaching display to mount  
**GC-UNV** Textured black

DISPLAY ADAPTOR

VESA® Pattern

Universal Models: 100, 200 and 200 x 100mm  
 Non-VESA® compliant displays require display-specific PLP adaptor to be purchased separately.

SPECIFICATIONS

Distance from Wall

4.15" (105mm)

Tilt

0, 5, 10°

Max Load

100lb (46kg)

Product Dimensions (W x H x D)

13.74" x 13.12" x 4.15"  
 (349 x 333 x 105mm)

Mounting Surfaces

Wood stud, concrete, cinder/breeze block and metal stud  
 (Metal stud accessory required)

Ship Weight

13lb (5.9kg)

CERTIFICATIONS



# Universal Game Console Security Mount

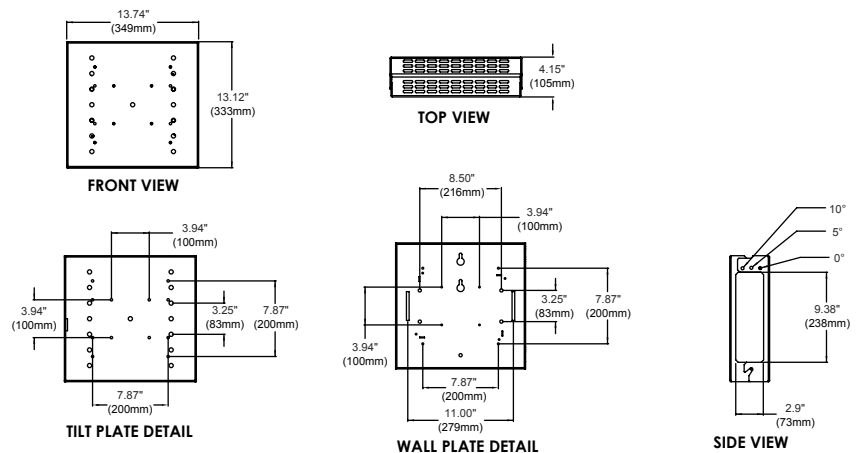
For Displays up to 56". Holds PS3™, Xbox 360™ and Wii™ internally

1. Universal mount protects the game console from tampering and theft
2. Ventilation on the top, bottom and sides allows access and prevents game console overheating
3. Mounts directly to a single stud, desktop or Peerless-AV® compatible mount
4. Display can attach to the front of the mount via VESA® hole patterns of 100, 200, 200 x 100mm and PLP
5. For wall applications, display tilts 0°, 5° and 10°



TECHNICAL DRAWINGS

For expanded product information and technical data visit [peerless-av.com](http://peerless-av.com)



To verify mount compatibility with any display or projector model use MountFinder™ at [peerless-av.com](http://peerless-av.com).



CALL: 630-375-5100  
800-865-2112



FAX: 630-820-8537  
800-359-6500



E-MAIL: [info@peerless-av.com](mailto:info@peerless-av.com)



ON-LINE: [peerless-av.com](http://peerless-av.com)

# Game Console Security Covers

Holds PS3™, Xbox 360S™ and Wii™ internally

1. Game console security cover prevents theft
2. Open access to console connection points, buttons and disc slot or tray
3. Cover allows for ventilation to prevent overheating
4. Gloss color finish to match game console
5. Easily mounted to a desktop or wall



GC-PS3S



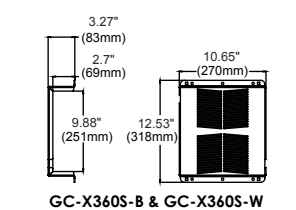
GC-WII



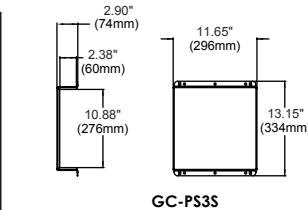
GC-X360S-B

For expanded product information and technical data visit [peerless-av.com](http://peerless-av.com)

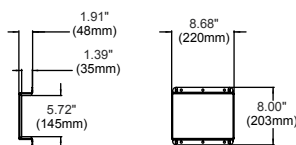
## TECHNICAL DRAWINGS



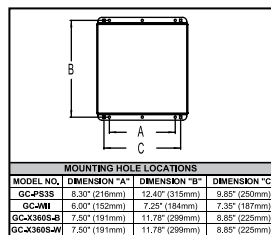
GC-X360S-B & GC-X360S-W



GC-PS3S



GC-WII



## MODELS

### Dedicated Models:

Includes theft resistant hardware for attaching display to mount

<b>GC-X360S-B</b>	Holds Xbox 360S	Gloss Black
<b>GC-X360S-W</b>	Holds Xbox 360S	White
<b>GC-WII</b>	Holds Wii	White
<b>GC-PS3S</b>	Holds PS3	Black

## SPECIFICATIONS



### Max Load

25lb (11.3kg)

### Product Dimensions (W x H x D)

<b>GC-X360S-B/-W:</b>	10.65" x 3.27" x 12.53" (270 x 83 x 318mm)
<b>GC-WII:</b>	8.68" x 1.91" x 8.00" (220 x 48 x 203mm)
<b>GC-PS3S:</b>	11.65" x 2.90" x 13.15" (295 x 74 x 334mm)

### Mounting Surfaces

Desktop, wall and under cabinet

### Ship Weight

<b>GC-X360S-B/-W:</b>	7.1 lb (3.2kg)
<b>GC-WII:</b>	2.0lb (0.9kg)
<b>GC-PS3S:</b>	6.8lb (3.1kg)

## CERTIFICATIONS

**RoHS**  
2002/95/EC

To verify mount compatibility with any display or projector model use MountFinder™ at [peerless-av.com](http://peerless-av.com).



CALL: 630-375-5100  
800-865-2112



FAX: 630-820-8537  
800-359-6500



E-MAIL:  
[info@peerless-av.com](mailto:info@peerless-av.com)



ON-LINE:  
[peerless-av.com](http://peerless-av.com)



MODELS

Universal Models:

Includes standard hardware (hex or Phillips) for attaching speaker mount to wall

<b>PSP2</b>	Black	(2 pack)
<b>PSP2-W</b>	White	(2 pack)
<b>PSP5</b>	Black	(5 pack)
<b>PSP5-W</b>	White	(5 pack)

SPECIFICATIONS

Tilt | Swivel | Roll

±90° | 360° | 360°



Max Load

8lb (3kg)

Product Dimensions (W x H x D)

3.37" x 3.25"-5.40" x 1.75"  
(85 x 83-137 x 44mm)

Mounting Surfaces

Wood joist and concrete

Ship Weight

<b>PSP2(-W):</b>	1lb (.5kg)
<b>PSP5(-W):</b>	3lb (1.4kg)

# Universal Speaker Mount

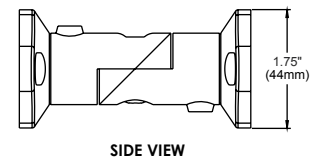
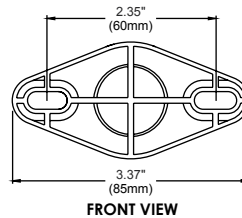
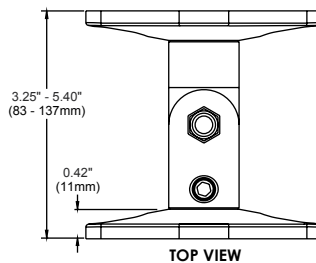
For Speakers Weighing up to 8lb (3kg)

1. Mounts to wall or ceiling
2. Universal design fits most brands
3. Easy tilt, pivot and rotation adjustments
4. 2.15" (54mm) ceiling extension included
5. One, two and four hole mounting adaptors accommodate speakers with key hole and threaded inserts
6. Includes installation and speaker attachment hardware



TECHNICAL DRAWINGS

For expanded product information and technical data visit [peerless-av.com](http://peerless-av.com)



To verify mount compatibility with any display or projector model use MountFinder™ at [peerless-av.com](http://peerless-av.com).



CALL: 630-375-5100  
800-865-2112



FAX: 630-820-8537  
800-359-6500



E-MAIL: [info@peerless-av.com](mailto:info@peerless-av.com)



ON-LINE: [peerless-av.com](http://peerless-av.com)

# Universal Speaker Mount

For Speakers Weighing up to 20lb (9kg)

1. Ball and socket design provides 37.5° of rotation up or down
2. Concealed mounting screws
3. Flush mounted or used with 3" (76mm) extensions
4. Includes hardware for mounting most commercially available speakers
5. Include fasteners for wood studs, metal studs, concrete and drywall
6. Speaker attachment hardware included
7. Internal speaker wire management



## MODELS

### Universal Models:

<b>SPK811</b>	Black
<b>SPK811W</b>	White

## SPECIFICATIONS

### Tilt | Swivel | Roll

±37.5° | 360° | ±37.5°



### Max Load

20lb (9kg)

### Product Dimensions (W x H x D)

2.00" x 3.27" x 2.43"-4.72"  
(51 x 83 x 62-120mm)

### Mounting Surfaces

Wood stud, metal stud,  
concrete and drywall

### Ship Weight

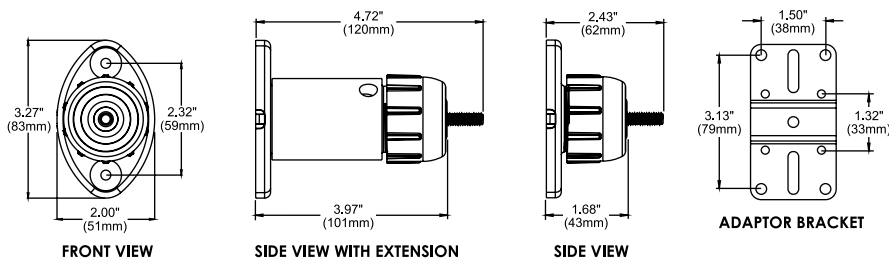
0.9lb (0.4kg)

## CERTIFICATIONS

**RoHS**  
PROHIBITED

For expanded product information and technical data visit [peerless-av.com](http://peerless-av.com)

## TECHNICAL DRAWINGS



To verify mount compatibility with any display or projector model use MountFinder™ at [peerless-av.com](http://peerless-av.com).



CALL: 630-375-5100  
800-865-2112



FAX: 630-820-8537  
800-359-6500



E-MAIL:  
[info@peerless-av.com](mailto:info@peerless-av.com)



ON-LINE:  
[peerless-av.com](http://peerless-av.com)



MODELS

Universal Models:

<b>SPK26</b>	Black	(2 pack)
<b>SPK815</b>	Black	

SPECIFICATIONS

Tilt | Swivel

<b>SPK26:</b>	±7°   ±90°
<b>SPK815:</b>	±45°   ±45°



Max Load

<b>SPK26:</b>	26lb (12kg)
<b>SPK815:</b>	75lb (34kg)

Product Dimensions (W x H x D)

<b>SPK26:</b>	5.91" - 11.02" x 8.27" x 12.28" (150-280 x 210 x 312mm)
<b>SPK815:</b>	12.00" x 12.00" x 9.13" (305 x 305 x 232mm)

Mounting Surfaces

<b>SPK26:</b>	Wood stud, concrete and cinder block
<b>SPK815:</b>	Concrete (Concrete accessory required)

Ship Weight

<b>SPK26:</b>	4.83lb (2.19kg)
<b>SPK815:</b>	5lb (2.2kg)

ACCESSORIES



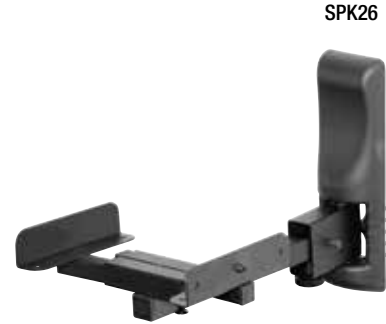
**ACC233/234, ACC243/244:**  
Concrete Anchors ..... pg# 238

# Universal Speaker Mounts

For Speakers Weighing up to 26lb (12kg)  
and up to 75lb (34kg)

SPK26

1. Designed for any bookshelf speaker including speakers without threaded inserts or keyhole slots
2. Double sided adhesive foam pads reduce vibration and prevent shifting of the speaker
3. Adjust the tilt of your speaker up to +12°/-20°, or swivel the speaker left or right up to ±35°
4. Sturdy mounts are made from steel with scratch resistant powercoat paint



SPK26

SPK815

1. Mounting plates have 4" x 4" (102 x 102mm) cut-out for speaker wire access
2. Up to ±45° pivot in vertical and horizontal directions
3. Heavy gauge cold rolled steel construction
4. Requires wall and speaker installation hardware

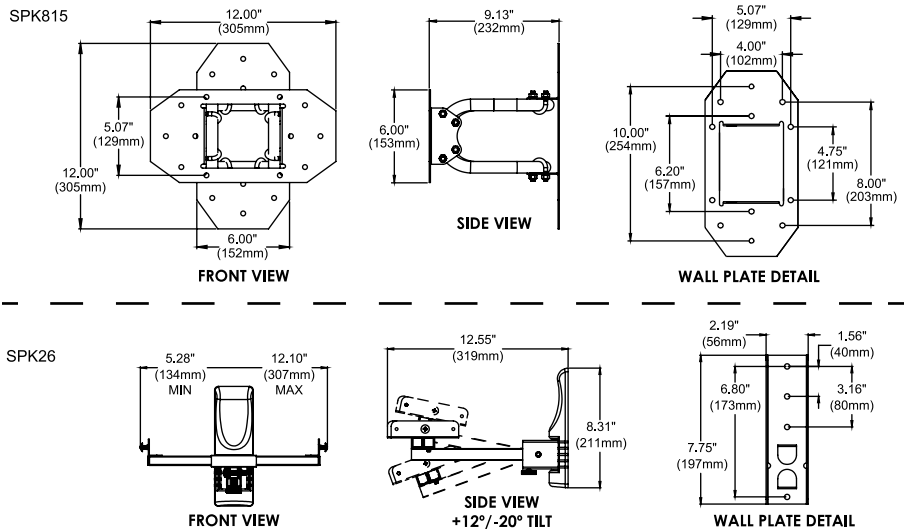


SPK815

Please visit [peerless-av.com/en-us/patents](http://peerless-av.com/en-us/patents) for patent information.

TECHNICAL DRAWINGS

For expanded product information and technical data visit [peerless-av.com](http://peerless-av.com)



To verify mount compatibility with any display or projector model use MountFinder™ at [peerless-av.com](http://peerless-av.com).



CALL: 630-375-5100  
800-865-2112



FAX: 630-820-8537  
800-359-6500



E-MAIL: [info@peerless-av.com](mailto:info@peerless-av.com)



ON-LINE: [peerless-av.com](http://peerless-av.com)

# Camera Mounts

For Small to Medium Security Cameras

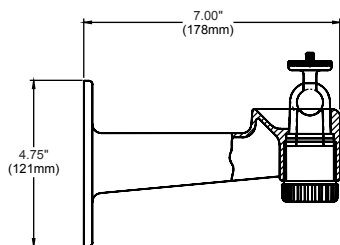
1. Patented ball and socket design for 360° swivel and 90° tilt for ideal positioning of camera
2. Engineered plastic eliminates electrical grounding problems
3. Single point adjustment knob
4. Cable management routing duct
5. Wall or ceiling mountable with option to mount directly to standard electrical outlet box
6. Mounting stud for camera installation



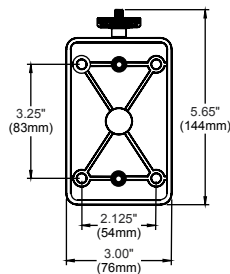
Please visit [peerless-av.com/en-us/patents](http://peerless-av.com/en-us/patents) for patent information.

For expanded product information and technical data visit [peerless-av.com](http://peerless-av.com)

## TECHNICAL DRAWINGS



SIDE VIEW



BACK VIEW



## MODELS

### Universal Models:

**CMR410** Light Gray  
7" (178mm) Camera Mount

## SPECIFICATIONS

### Tilt | Swivel

90° | 360°



### Max Load

10lb (4kg)

### Product Dimensions (W x H x D)

3.00" x .5.65" x 7.00"  
(76 x 144 x 178mm)

### Mounting Surfaces

Wall or ceiling

### Ship Weight

1 lb (0.5kg)

## CERTIFICATIONS

**RoHS**

To verify mount compatibility with any display or projector model use MountFinder™ at [peerless-av.com](http://peerless-av.com).



CALL: 630-375-5100  
800-865-2112



FAX: 630-820-8537  
800-359-6500



E-MAIL:  
[info@peerless-av.com](mailto:info@peerless-av.com)



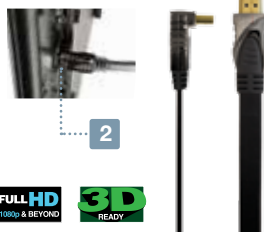
ON-LINE:  
[peerless-av.com](http://peerless-av.com)

## Cables

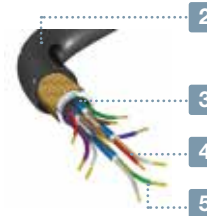
**SL-HDRU02** SlimLine® High Speed HDMI® Cable with Ethernet for Rear and Side Mounted Connectors

1. HDMI certified. Supports all HDMI version 1.4 features
2. Right-angled HDMI connector projects 14mm (0.55") from rear of the display's HDMI socket; compared to 30mm for rotating/swivel type HDMI connectors
3. Ultra slim flat cable 3mm thick; compared to 8mm of typical round HDMI cables of equal performance
4. Right angled, 90°, HDMI connection fits the vast majority of displays with a horizontal HDMI socket

**SL-HDRU02:** 90° Connector  
**Cable Length:** 6.6' (2m)  
**Ship Weight:** 0.6lb (0.32kg)  
**Color:** Black

**DEB-HD10** Delta Series High Speed HDMI® Cables with Ethernet

1. HDMI certified. Supports all HDMI version 1.4 features
2. Foamed PE dielectrics for enhanced performance versus PE or PVC dielectrics
3. PCOFC conductors minimize signal loss and distortion versus oxygen free or just copper conductors
4. Aluminum foil and braided PCOF shielding for protection against EMI and RFI, versus aluminum mylar or foil and OFC
5. Durable PVC outer jacket for enhanced durability

**Type A Connectors**

**Cable Length:** 32' (10m)  
**Ship Weight:** 3.1lb (1.4kg)  
**Color:** Black

**DEW-RR05, DEW-JR05, DEW-JJ05** Stereo High Performance Audio Cable

1. Connect Blu-Ray, DVD or CD players and cable or satellite receivers to an AV amplifier or Hi-Fi system with DEW-RR05. Connect any device with a headphone port to a home or car audio system with DEW-JR05. Connect iPods®, MP3 players, or other portable audio devices to AV equipment or car stereo with DEW-JJ05.
2. 24k gold contacts for a superior signal transfer
3. PCOFC oxygen free conductors to minimize signal loss and distortion
4. Braided PCOFC outer shielding and aluminum foil inner shielding for protection against EMI and RFI with DEW-RR05, PCOFC outer shielding for protection against EMI and RFI with DEW-JR05 and DEW-JJ05.
5. PVC outer jacket for enhanced durability
6. Foamed PE dielectrics prevents distortion of high frequency audio signals
7. Color coded connectors to show signal polarity

**DEW-RR05:** 2xRCA plugs to 2xRCA plugs  
**DEW-JR05:** 3.5mm jack plug to 2xRCA plugs  
**DEW-JJ05:** 3.5mm jack plug to 3.5mm jack plug

**Cable Length:**  
**DEW-RR05/-JR05/-JJ05:** 16' (5m)

**Ship Weight:**  
**DEW-JR05/-JJ05:** 0.6lb (0.2kg)  
**DEW-RR05:** 1.2lb (0.5kg)

**Color:** Black



2xRCA plugs to 2xRCA plugs

3.5mm jack plug to 3.5mm jack plug

3.5mm jack plug to 2xRCA plugs

To verify mount compatibility with any display or projector model use MountFinder™ at [peerless-av.com](http://peerless-av.com).



CALL: 630-375-5100  
800-865-2112



FAX: 630-820-8537  
800-359-6500



E-MAIL: [info@peerless-av.com](mailto:info@peerless-av.com)



ON-LINE: [peerless-av.com](http://peerless-av.com)



# Peerless-AV® Provides all the Right Accessories You Need

- Universal designs that fit multiple components
- Create clean, finished installations that complement the look of the environment
- Select fully-integrated designs for the ultimate flexibility

---

## Wall Mounts

Learn more  
on pages 226-227



**In-Wall  
Accessory Boxes**



**Video Conferencing  
Shelf Accessory**



**Recessed Low  
Voltage Cable Plate**

---

## Ceiling Mounts

Learn more  
on pages 228-230



**Cathedral  
Ceiling Adaptors**



**Suspended  
Ceiling Plates**



**Projector  
Wall Arms**

---

## Carts & Stands

Learn more  
on pages 235-236



**Electrical Outlet Strip  
with Cord Wrap**



**Safety Belts**



**Shelves**

## **Achieve the Optimal Viewing Position with Peerless-AV® Ceiling Plates**



- Range of models that accommodate all mounting surfaces
- Fit for use with attachment of specified extension columns
- Sleek design to help fit into any environment seamlessly

Peerless-AV's ceiling plates can be utilized with virtually any application, making sure you get the optimal viewing position. **Learn more on pages 228-230.**

## **Clean Installations are Possible with Peerless-AV® Accessory Boxes**



- Fits behind the thinnest mounts and displays
- Reduces clutter with a clean installation process
- Minimizes the needs for additional accessories

Creating the perfect installation just got easier with Peerless-AV's In-Wall Accessory Boxes. Each box provides a clean and concealed installation for your AV application. **Learn more on page 227.**



**MOUNT ACCESSORIES**

**ACC-HPF650**  
In-furniture Bracket ..... pg# 226

**ACC-WMVCs**  
Video Conferencing Shelf Accessory ..... pg# 226

**ACCXT400/402 Models**  
Recessed Power Outlet with  
Low Voltage In-Wall Cable Routing..... pg# 226

**ACC952**  
Above Display SUF Security Lock Accessory ..... pg# 226

**FLD-UNV(-S)**  
Display Base Lock-down Security Kit ..... pg# 226

**ACC2X1**  
VESAs<sup>®</sup> 200 x 100mm Adaptor Plate ..... pg# 226

**ACC4X4**  
VESAs<sup>®</sup> 400 x 400mm Adaptor Plate ..... pg# 226

**IN-WALL ACCESSORY BOXES**

**IBA2(-W)**  
In-Wall Accessories Box..... pg# 227

**IBA2AC(-W)**  
In-Wall Accessories Box  
with 125V Duplex Power Receptacle..... pg# 227

**IBA4-W**  
Easy Mount Recessed  
Low Voltage Cable Plate ..... pg# 227

**IBA3(-W)**  
In-Wall Accessories Box..... pg# 227

**IBA3AC(-W)**  
In-Wall Accessories Box  
with 125V Duplex Power Receptacle..... pg# 227

**IBA5-W**  
In-wall Accessories Box  
with 125V Duplex Power Receptacle..... pg# 227

**CEILING PLATES**

**CMJ470(W)/480/490 Models**  
Ceiling Plates ..... pg# 228

**ACC120**  
Internal Joist Mount ..... pg# 228

**ACC570(S)(W) Models**  
Round Ceiling Plate ..... pg# 228

**ACC560**  
Ceiling Plate..... pg# 228

**ACC-CCPHD**  
Heavy Duty Cathedral Ceiling Adaptor ..... pg# 228

**ACC-CCP**  
Cathedral Ceiling Adaptor ..... pg# 228

**ACC840, ACC845 Models**  
Anti-vibration Ceiling Plates..... pg# 228

**CMJ300, CMJ310 Models**  
Unistrut<sup>®</sup> and Structural Ceiling Plate..... pg# 228

**ACC550**  
Unistrut<sup>®</sup> Adaptor for Truss Ceiling ..... pg# 228

**ACC558, ACC559 Models**  
I-beam Clamps ..... pg# 229

**ACC557**  
Truss Ceiling Adaptor ..... pg# 229

**ACC600**  
Multi-display Interface Bracket ..... pg# 229

**DCT100**  
Truss Ceiling Adaptor  
with Stress Decoupler ..... pg# 229

**DCS200**  
Structural Ceiling Plate with Stress Decoupler.. pg# 229

**DCT500/600/800/900 Models**  
Multi-display I-beam Clamps ..... pg# 229

**DCT300**  
Multi-display Truss Ceiling Stress Decoupler .... pg# 229

**DCS400**  
Multi-display Structural Ceiling  
Stress Decoupler ..... pg# 229

**CEILING PLATES & ACCESSORIES**

**CMJ450**  
Suspended Ceiling Plate ..... pg# 230

**CMJ453**  
Variable Position Suspended Ceiling Kit ..... pg# 230

**CMJ455**  
Lightweight Suspended Ceiling Kit ..... pg# 230

**CMJ500R1**  
Lightweight Adjustable  
Suspended Ceiling Plate ..... pg# 230

**ACC455**  
Accessory Pack for CMJ455 ..... pg# 230

**ACC460**  
Safety Cable Mounting Bracket  
for PB-1/CMJ453/CMJ450 ..... pg# 230

**PB-1**  
Plenum Box for CMJ450, 453, 455 and 500 ... pg# 230

**PWA-14(S)(W) Models**  
Projector Wall Arm ..... pg# 230

**WMJ018, WMJ022 Models**  
Wall Arms..... pg# 230

**EXTENSIONS & ACCESSORIES**

**ACC109**  
Extension Column Connector ..... pg# 231

**ACC800**  
Connector with Cord Management ..... pg# 231

**ACC850(S)**  
Connector with Cord Management ..... pg# 231

**ACC810**  
Threaded Rod Adaptor ..... pg# 231

**EXT Models**  
Fixed Length Extension Columns ..... pg# 231

**AEC Models**  
Adjustable Extension Columns ..... pg# 231

**ADD Models**  
Multi-display™ Extension Column (Fixed  
Extension Columns for Ceiling Decouplers) .. pg# 231

**ADD Models**  
Multi-display™ Extension Column (Adjustable  
Extension Columns for Ceiling Decouplers) .. pg# 231

**COLUMN ACCESSORIES  
& ADAPTOR PLATES**

**ACC640(-B)(-W), ACC002, ACC641 Models**  
Escutcheon Ring..... pg# 232

**ACC852(W), ACC856(W) Models**  
Cord Wrap..... pg# 232

**ACC450**  
Adaptor Bracket for 22" to 40" Displays ..... pg# 232

**ACC050**  
Extension Column Stabilizer Kit ..... pg# 232

**ACC830**  
Side-to-side Adjuster ..... pg# 232

**ACC-M1020**  
PLP mounting hardware kit..... pg# 232

**PLP-UNM**  
Universal I-Shaped Adaptor  
for 22" to 50" Displays ..... pg# 232

**PLP-UNL**  
Universal I-Shaped Adaptor  
for 32" to 90" Displays ..... pg# 232

**PLP-V models**  
Dedicated Adaptor Plates ..... pg# 232

**WALL PLATES**

**WSP700/WSP701 Models**  
Metal Stud Wall Plate  
for use with Peerless-AV single stud arms.... pg# 233

**WSP756**  
Metal Stud Wall Plate..... pg# 233

**WBK100(-W)**  
Short Throw Double Stud Wall Plate ..... pg# 233

**WSP425(W)/445 Models**  
Metal Stud Wall Plates - Double Stud..... pg# 233

**WALL PLATES**

.....continued

**WSP816/820/824 Models**  
Metal Stud Wall Plate  
for FPS-1000 and SP850..... pg# 233

**ACC625/630 Models**  
Dedicated Wall Adaptor Box ..... pg# 233

**HARDWARE & SURGE PROTECTORS**

**ACC918, ACC925 Models**  
VESAs<sup>®</sup> Security Fasteners ..... pg# 234

**ACC215, ACC415, ACC615 Models**  
Metal Stud Fastener Kit ..... pg# 234

**ACC230/233/234, ACC240/243/244 Models**  
Concrete Anchors ..... pg# 234

**ACC605**  
Wall Hardware for IWB600-SB ..... pg# 234

**ACC954**  
Theft resistant security kit  
for the PTM400 and PTM200..... pg# 234

**ACC200, ACC205, ACC210, ACC255 Models**  
Concrete Expansion Anchors ..... pg# 234

**PVP1000-CPL6**  
Six Outlet Surge Protector..... pg# 234

**PVP4000-PL10**  
Ten Outlet Surge Protector..... pg# 234

**PVP2000-PL4**  
Four Outlet Surge Protector ..... pg# 234

**PVP1000-PL6**  
Swiveling Outlet Surge Protector ..... pg# 234

**CARTS & STANDS ACCESSORIES**

**ACC111**  
Safety Belt ..... pg# 235

**ACC316**  
Safety Belt ..... pg# 235

**ACC666**  
Safety Belt ..... pg# 235

**ACC320**  
Electrical Outlet Strip with Cord Wrap..... pg# 235

**MIS995**  
800mm VESAs<sup>®</sup> Adaptor for Carts & Stands ... pg# 235

**ACC-DS-VW2X2**  
Video Wall Conversion Kit ..... pg# 235

**ACC604**  
Dual-display Cartridge ..... pg# 235

**CASTERS AND FEET ACCESSORIES**

**ACC-BPR**  
Bumper Accessory for Cart Legs ..... pg# 235

**ACC310**  
Cart or Stand Feet Accessory ..... pg# 235

**SHELVES**

**ACC-MS**  
Metal Shelf for Carts or Stands ..... pg# 236

**ACC-GS1**  
Tempered Glass Shelf for Carts or Stands.... pg# 236

**ACC-GSTE**  
Tempered Glass Shelf  
for SR555E or SR575E ..... pg# 236

**ACC833**  
Equipment Accessory Shelf  
for Pedestal Mounts ..... pg# 236

**ACC325**  
Accessory Shelf for FPZ-600..... pg# 236

**ACC-LA**  
Laptop Arm for Carts or Stands ..... pg# 236

**ACC328**  
Laptop Tray for Monitor Mounts..... pg# 236

**ACC-VCs**  
Video Conferencing Camera Shelf ..... pg# 236

**ACC-HPF650***In-furniture Bracket*

1. Compatible with HPF650 Pull-Out Pivot Wall Mount
2. Low profile bracket allows HPF650 to be mounted flush within furniture for a clean finished look

**Ship Weight:** 8lb (3.6kg)  
**Color:** Black

**ACC-WMVCS***Video Conferencing Shelf Accessory*

1. Universal, fits virtually any video conferencing cameras including Polycom™, LifeSize® and Cisco®
2. Compatible with Peerless-AV® SA752PU, SA761PU, SA771PU, SAX755PU, SAX762PU, SAX772PU, SF640, SF650, SF660, SFX645, SFX560, SFX660, ST640, ST650, ST660, STX645, STX650 and STX660 mounts
3. Simple height adjustment provides perfect camera positioning
4. Mounts above or below the display
5. Low-profile design
6. Cable management slot keeps cables and cords neatly organized

**Max Load:** 15lb (6.8kg)  
**Ship Weight:** 5.52lb (2.50kg)  
**Color:** Black

**ACCXT400 / 402 Recessed Power Outlet**  
*with Low Voltage In-Wall Cable Routing*

1. Low-profile design fits neatly into the SAX, SFX and STX wall plate without adding depth to the mount
2. Routes low voltage component cables inside the wall
3. 15Amp/125 Volt duplex power receptacle power source with surge suppressor protection
4. ACCXT400 compatible with SmartMountXT™ SAX762PU and SAX772PU mounts
5. ACCXT402 compatible with SmartMount® and SmartMountXT™ flat and tilt mounts

**Ship Weight:** ACCXT400: 1.26lb (0.6kg)  
**Color:** Black

**ACC952 Above Display***SUF Security Lock Accessory*

1. Prevents display from being lifted up off of SUF Mount
2. Attaches to wall with theft resistant security screw
3. Two keyed-alike padlocks prevent access to security screw

**Ship Weight:** 2lb (0.91kg)  
**Color:** Gloss Black



Patent Pending

**FLD-UNV(-S)***Display Base Lock-down Security Kit*

1. Brackets quickly fasten to the bottom of a variety of display base stands
2. Securely mounts to wood surfaces with tamper resistant hardware
3. Low-profile clips remain hidden when installed

**Max Load:** 100lb (45.3kg)  
**Ship Weight:** 0.6lb (0.3kg)  
**Color:** Black/Silver



RoHS

**ACC2X1***VESA® 200 x 100mm Adaptor Plate*

1. Increases the mounting pattern of VESA® 75 & 100mm mounts to include 200 x 100mm
2. Compatible with PF630, PT630, PP730, PA730, SF630(P), ST630(P), SP730P and SA730P models

**Max Load:** See mount weight load  
**Ship Weight:** 0.77lb (0.35kg)  
**Color:** Gloss black

**ACC4X4***VESA® 400 x 400mm Adaptor Plate*

1. Increases the mounting pattern of VESA® 200 x 200mm mounts to include 300 x 200, 300 x 300, 400 x 200, 400 x 300, and 400 x 400mm
2. Compatible with PF632, PT632, PP740, PA740, SF632(P), ST632(P), SP740P and SA740P models

**Max Load:** See mount weight load  
**Ship Weight:** 1.45lb (0.66kg)  
**Color:** Gloss black



## IBA2(-W)

### In-Wall Accessories Box

1. Helps create clean and concealed installation by adding additional cable and power management space behind the display
2. Installs between wood studs on 16" centers
3. Removable access plate with low voltage cable management and outlet knock out panel
4. Cable ties for organized finish
5. Heavy gauge steel construction

**Useable Space:** 13.10" x 9.6" x 3.76"  
(W x H x D) (333 x 244 x 96mm)

**Max Load:** 25lb (11.34kg)

**Ship Weight:** 6.5lb (2.94kg)

**Color:** Gloss black or white



## IBA2AC(-W) In-Wall Accessories Box with 125V Duplex Power Receptacle

1. Helps create clean and concealed installation by adding additional cable and power management space behind the display
2. Installs between wood studs on 16" centers
3. Leviton SmartGrid tamper resistant duplex surge outlet and galvanized gang box
4. Removable outlet receptacle and cable management access plate
5. Cable ties for organized finish
6. Heavy gauge steel construction

**Useable Space:** 13.10" x 9.6" x 3.76"  
(W x H x D) (333 x 244 x 96mm)

**Max Load:** 25lb (11.34kg)

**Ship Weight:** 7lb (3.17kg)

**Color:** Gloss black or white



## IBA4-W Easy Mount Recessed Low Voltage Cable Plate

1. Inside-wall cable routing
2. Low profile design fits behind the thinnest mounts and displays
3. Sleek design makes outside cable covers unnecessary
4. Swing out wing attachment allows installation directly to drywall
5. Installation template included

**Overall Dimensions:** 3.22" x 4.88" x 2.17"  
(W x H x D) (82 x 124 x 55mm)

**Ship Weight:** 0.5lb (0.23kg)

**Color:** White



## IBA3(-W)

### In-Wall Accessories Box

1. Helps create clean and concealed installation by adding additional cable and power management space behind the display
2. Installs between wood studs on 16" centers
3. Removable access plate with low voltage cable management and outlet knock out panel
4. Cable ties for organized finish
5. Heavy gauge steel construction

**Useable Space:** 13.10" x 4.35" x 3.76"  
(W x H x D) (333 x 110 x 96mm)

**Max Load:** 25lb (11.34kg)

**Ship Weight:** 5lb (2.26kg)

**Color:** Gloss black or white



## IBA3AC(-W) In-Wall Accessories Box with 125V Duplex Power Receptacle

1. Helps create clean and concealed installation by adding additional cable and power management space behind the display
2. Installs between wood studs on 16" centers
3. Leviton SmartGrid tamper resistant duplex surge outlet and galvanized gang box
4. Removable outlet receptacle and cable management access plate
5. Cable ties for organized finish
6. Heavy gauge steel construction

**Useable Space:** 13.10" x 4.35" x 3.76"  
(W x H x D) (333 x 110 x 96mm)

**Max Load:** 25lb (11.34kg)

**Ship Weight:** 6lb (2.72kg)

**Color:** Gloss black or white



## IBA5-W In-Wall Accessories Box with 125V Duplex Power Receptacle

1. Duplex power receptacle with surge protection
2. Copper wiring device surgeblock protection
3. Inside wall cable routing
4. Swing out wing attachment allows installation directly to drywall
5. Low profile design fits behind the thinnest mounts and displays
6. Sleek design makes outside cable covers unnecessary

**Overall Dimensions:** 8.10" x 7.58" x 3.68"  
(W x H x D) (206 x 193 x 93mm)

**Ship Weight:** 2lb (0.91kg)

**Color:** White



To verify mount compatibility with any display or projector model use MountFinder™ at [peerless-av.com](http://peerless-av.com).



CALL: 630-375-5100  
800-865-2112



FAX: 630-820-8537  
800-359-6500



E-MAIL:  
[info@peerless-av.com](mailto:info@peerless-av.com)



ON-LINE:  
[peerless-av.com](http://peerless-av.com)



Display Mounts



Projector Mounts

**CMJ470(W), CMJ480, CMJ490***Ceiling Plates*

1. Mounts to wood joists or structural concrete ceiling (requires concrete anchors ACC234/ACC244, sold separately)
2. 1.5"-11.5 NPT (38mm) fitting for attachment of extension column

**CMJ470(W):** for 16" (406mm) joist centers  
**CMJ480:** for 20" (508mm) joist centers  
**CMJ490:** for 24" (609mm) joist centers  
**Max Load:** 300lb (136kg)  
**Ship Weight:** CMJ470 3.2lb (1.4kg)  
 CMJ480 4.8lb (2.2kg)  
 CMJ490 5.7lb (2.6kg)  
**Color:** Black or white (CMJ470W only)

**ACC120***Internal Joist Mount*

1. Expandable to mount between two wood joists from 16" to 20" (406-508mm) centers
2. Attachment point for extension column may be positioned at any point within 2-3/4" (69mm) of either joist
3. 1.5"-11.5 NPT (38mm) fitting for attachment of extension column

**Max Load:** 300lb (136kg)  
**Ship Weight:** 8lb (3.6kg)  
**Color:** Black

**ACC570(S)(W)***Round Ceiling Plate*

1. Mounts to wood joist or structural ceiling (requires concrete anchor ACC233 or ACC200, sold separately)
2. Cable management access hole
3. 1.5"-11.5 NPT (38mm) fitting for attachment of extension column

**Max Load:** 150lb (68kg)  
**Ship Weight:** 1.7lb (.8kg)  
**Color:** Black, silver or white

**ACC560***Ceiling Plate*

1. Mounts to wood joist, structural ceiling or concrete
2. Low-profile design ideal for small displays and projector installations
3. 1.5"-11.5 NPT (38mm) fitting for attachment of extension column

**Max Load:** 50lb (22kg)  
**Ship Weight:** 0.93lb (.4kg)  
**Color:** Black

**ACC-CCPHD***Heavy Duty Cathedral Ceiling Adaptor*

1. Mounts to cathedral or vaulted ceilings
2. -5°/+95° of adjustment
3. 1.5"-11.5 NPT (38mm) fitting for attachment of extension column

**Max Load:** 500lb (226.8kg)  
**Ship Weight:** 4.1lb (1.86kg)  
**Color:** Black

**ACC-CCP***Cathedral Ceiling Adaptor*

1. Mounts to cathedral or vaulted ceilings
2. -5°/+95° of adjustment
3. 1.5"-11.5 NPT (38mm) fitting for attachment of extension column

**Max Load:** 150lb (68.2kg)  
**Ship Weight:** 2.3lb (1.04kg)  
**Color:** Black

**ACC840, ACC845***Anti-vibration Ceiling Plates*

1. Reduces vibrations that may cause internal damage to equipment and/or cause display image to vibrate
2. Features two cord management access holes
3. 1.5"-11.5 NPT (38mm) fitting for attachment of extension column

**ACC840:** for wood joist ceiling  
**ACC845:** for Unistrut ceiling 1.625" x 1.625" (41 x 41mm) 12 gauge Unistrut  
**Max Load:** 60lb (27kg)  
**Ship Weight:** ACC840: 3lb (1.4kg)  
 ACC845: 4lb (1.8kg)  
**Color:** Black

**CMJ300, CMJ310***Unistrut® and Structural Ceiling Plate*

1. Attaches directly to standard Unistrut 1.625" x 1.625" (41 x 41mm) or to solid structural ceiling
2. Unistrut fittings and attachment hardware not included
3. 1.5"-11.5 NPT (38mm) fitting for attachment of extension column

**Max Load:** 250lb (113kg)  
**Ship Weight:** CMJ300 2lb (.9kg)  
 CMJ310 4lb (1.8kg)  
**Color:** Black

**ACC550***Unistrut® Adaptor for Truss Ceiling*

1. For use with 1.625" x 1.625" (41 x 41mm), 12 gauge Unistrut
2. 1.5"-11.5 NPT (38mm) fitting for attachment of extension column

**Max Load:** 250lb (113kg)  
**Ship Weight:** 1.4lb (.6kg)  
**Color:** Black



## ACC558, ACC559

### I-beam Clamps

- 1.5"-11.5 NPT (38mm) fitting for attachment of extension column

**ACC558:** for 4"-8" (101-203mm) wide, 0.25" to 1" (6-25mm) thick I-Beam  
**ACC559:** for 7"-12" (177-304mm) wide, 0.25" to 1" (6-25mm) thick I-Beam

**Max Load:** 250 lb (113 kg)  
**Ship Weight:** **ACC558** 4.8lb (2kg)  
**ACC559** 5.3lb (2.4kg)  
**Color:** Black



## ACC557

### Truss Ceiling Adaptor

- Attaches to a round square, rectangular, or I-Beam truss up to 3" (76mm) wide x 3.5" (89mm) high
- 1.5"-11.5 NPT (38mm) fitting for attachment of extension column

**Max Load:** 1,200lb (544kg)  
**Ship Weight:** 3lb (1.4kg)  
**Color:** Black



## ACC600

### Multi-display Interface Bracket

- Suspends flat panel display mount from extension column to in-line, curvilinear and circular MDJ multi-display configurations
- For use with EXT or ADJ model extension columns
- For other applications that require mounting from pipe larger than 2" (50mm) in diameter, use ACC557

**Max Load:** 1200lb (544kg)  
**Ship Weight:** 3.8lb (1.7kg)  
**Color:** Black



## DCT100 Truss Ceiling Adaptor with Stress Decoupler

- Includes truss ceiling plate with integral high density rubber decoupler assembly to prevent vibrations
- Attaches to round, square, rectangular or I-beam trusses up to 3" (76mm) wide x 3" (76mm) high
- 1.5"-11.5 NPT (38mm) fitting for attachment of extension column

**Max Load:** 300lb (136kg)  
**Ship Weight:** 4lb (1.8kg)



## DCS200 Structural Ceiling Plate with Stress Decoupler

- Includes structural ceiling plate with integral high density rubber decoupler assembly to prevent vibrations
- Mounts to concrete beam, slab or other structural member
- 1.5"-11.5 NPT (38mm) fitting for attachment of extension column

**Max Load:** 300lb (136kg)  
**Ship Weight:** 6lb (2.7kg)  
**Color:** Black



## DCT500, DCT600, DCT800, DCT900 Multi-display I-beam Clamps

- For use only with Peerless-AV Multi-Display Systems in combination with Adjustable Length Extension Columns (ADD models)
- Includes structural ceiling plate with integral high density rubber decoupler assembly to prevent vibrations

**DCT500:** for 7"-12" (177-304mm) wide, 0.25"-1" (6-25mm) thick I-beams  
**DCT600:** for 15"-19.5" (381-495mm) wide, 1.5"-2" (38-50mm) thick I-beams  
**DCT800:** for 7"-12" (177-304mm) wide, 2.5"-3" (63-76mm) thick I-beams  
**DCT900:** for 4"-7" (101-177mm) wide, up to 1.5" (38mm) thick I-beams

**Max Load:** 600lb (272kg)  
**Ship Weight:** **DCT500** 9.4lb (4.3kg)  
**DCT600** 13.1lb (6kg)  
**DCT800** 14lb (6.4kg)  
**DCT900** 9lb (4.1kg)

**Color:** Black

## DCT300 Multi-display Truss Ceiling Stress Decoupler

- Includes truss ceiling plate with integral high density rubber decoupler assembly to prevent vibrations
- Attaches to round, square, rectangular or I-beam trusses up to 3" (76mm) wide x 3" (76mm) high
- Stub fitting accepts adjustable or fixed length ADD model extension columns

**Max Load:** 1,200lb (544kg)  
**Ship Weight:** 4.6lb (2.1kg)  
**Color:** Black



## DCS400 Multi-display Structural Ceiling Stress Decoupler

- Includes structural ceiling plate with integral high density rubber decoupler assembly to prevent vibrations
- Stub fitting accepts adjustable or fixed length ADD model extension columns

**Max Load:** 1,200lb (544kg)  
**Ship Weight:** 7.8lb (3.5kg)  
**Color:** Black



To verify mount compatibility with any display or projector model use MountFinder™ at peerless-av.com.

CALL: 630-375-5100  
800-865-2112

FAX: 630-820-8537  
800-359-6500

E-MAIL: info@peerless-av.com

ON-LINE: peerless-av.com

Display Mounts

Projector Mounts

**CMJ450***Suspended Ceiling Plate*

1. Replaces 2' x 2' (609 x 609mm) ceiling tile and secures to structural ceiling with tie wires
2. Includes tie wire supports and ceiling plate with two knockout panels for outlet boxes and antenna leads (knockouts are for half-size handy boxes with flanges)
3. 1.5"-11.5 NPS (38mm) fitting for attachment of extension column

**Max Load:** 250lb (114kg)  
**Ship Weight:** 21.1lb (9.6kg)  
**Color:** White

**CMJ453***Variable Position Suspended Ceiling Kit*

1. Replaces 2' x 2' (609 x 609mm) ceiling tile and secures to structural ceiling with tie wires
2. Two-piece design offers five different points for mount attachment
3. Includes tie wire supports, flush mount tube and offers two knockout panels for outlet boxes
4. 1.5"-11.5 NPS (38mm) fitting for attachment of extension column

**Max Load:** 250lb (114kg)  
**Ship Weight:** 21.4lb (9.7kg)  
**Color:** White

**CMJ455***Lightweight Suspended Ceiling Kit*

1. Replaces a 2' x 2' (609 x 609mm) ceiling tile or mounts above existing 2' x 2' (609 x 609mm) or 2' x 4' (609 x 1219mm) ceiling tile to structural ceiling with tie wires
2. Two-piece design offers five different points for mount attachment
3. Includes tie wire supports, flush mount tube and offers two knockout panels for outlet boxes
4. 1.5"-11.5 NPS (38mm) fitting for attachment of extension column

**Max Load:** 50lb (22kg)  
**Ship Weight:** 14.6lb (6.6kg)  
**Color:** White

**CMJ500R1** *Lightweight Adjustable Suspended Ceiling Plate*

1. Mounts above 2' x 2' (609 x 609mm) or 2' x 4' (609 x 1219mm) ceiling tile to structural ceiling with tie wires
2. Includes Kwik-Loc™ self locking cable joiners for simple cable support set-up
3. Allows 13.90" (353mm) uninterrupted adjustment
4. Two 3.25" x 2.25" electrical box knockouts

**Max Load:** 60lb (27kg)  
**Ship Weight:** 6.6lb (2.9kg)

**ACC455***Accessory Pack for CMJ455*

1. Includes four hanger brackets and four hanger clamps for additional stability
2. For use with model CMJ455

**Ship Weight:** 2lb (.9kg)  
**Color:** Black

**ACC460** *Safety Cable Mounting Bracket for PB-1/CMJ453/CMJ450*

1. Includes (2) mounting brackets and (2) rail clamps
2. For use with PB-1/CMJ453 or PB-1/CMJ450

**Max Load:** 10lb (4.5kg)  
**Ship Weight:** 0.5lb (0.23kg)  
**Color:** White

**PB-1** *Plenum Box for CMJ450, 453, 455 and 500*

1. Simple lockdown with slideable lid and optional lockdown screw
2. 3" (76mm) of lateral adjustment for precise placement
3. 0.5" (13mm), 0.75" (19mm) and 1" (25mm)
4. For all CMJ450 and 453 installations ACC460 is required

**Ship Weight:** 11.28lb (5.12kg)  
**Color:** White

**PWA-14(S)(W)***Projector Wall Arm*

1. Mounts to single wood stud or concrete wall (requires concrete anchor ACC233/243, sold separately)
2. Offers 14.25" (361mm) reach
3. Includes flush mount adaptor

**Max Load:** 50lb (22kg)  
**Ship Weight:** 5lb (2.3kg)  
**Color:** Black, silver or white

**WMJ018, WMJ022***Wall Arms*

1. 1.5"-11.5 NPT (38mm) threaded fitting accepts flush mount tube or extension column
2. Comes with wood screws

**WMJ018:** Single arm with 18" (457mm) reach  
**WMJ022:** Single arm with 22.5" (572mm) reach

<b>Max Load:</b>	<b>Wood</b>	125lb (57kg) single arm
	<b>Concrete</b>	150lb (68kg) single arm
	<b>Wood/Concrete</b>	300lb (137kg) double arm

**Ship Weight:** **WMJ018** 12lb (5.4kg)  
**WMJ022** 13lb (5.9kg)

**Color:** Black







**ACC640(-B)(-W), ACC002, ACC641**  
Escutcheon Ring

1. Covers hole where extension column passes through ceiling
2. ACC641 hinged ring wraps around 0.75" (19mm) schedule 40 extension column
3. ACC640(-B)(-W) hinged ring wraps around 1.8" (48mm) schedule 40 extension column
4. ACC002 hinged ring wraps around 2.3" (58mm) schedule 40 extension column

**Ship Weight:** 0.02lb (.09kg)**Color:**

**ACC640(-B)(-W):** Chrome, black or white  
**ACC002/ACC641:** Chrome

**ACC852(W), ACC856(W)**  
Cord Wrap

1. Designed to externally route cords along outside of extension column
2. Sections can be stacked to create longer lengths or cut to desired length

**ACC852:** Four 2' (609mm) sections**ACC856:** Four 6' (1828mm) sections

**Ship Weight:** **ACC852** 2lb (.9kg)  
**ACC856** 6lb (2.7kg)

**Color:** Black or white**ACC450** Adaptor Bracket  
for 22" to 40" Displays

1. Universal adaptor for 22" to 40" displays with VESA® mounting patterns of 200 x 100 and 200 x 200mm
2. VESA® 200 x 100mm mounting can be offset high or low to help prevent signal and power input interference
3. Compatible virtually any display mount with VESA® 100 x 100mm mounting pattern (hardware included)

**Max Load:** 115lb (52kg)**Ship Weight:** 1.9lb (0.9kg)**Color:** Black**ACC050**  
Extension Column Stabilizer Kit

1. Reduces unwanted swaying that may occur with long drop lengths
2. For use with 1.5" (38mm) NPT extension columns

**Ship Weight:** 2.8lb (1.3kg)**Color:** Black**ACC830**  
Side-to-side Adjuster

1. 4" (101mm) of radial side to side adjustment
2. May be used with extension column or projector wall arm
3. Includes Flush Mount Tube, EXT002

**Max Load:** 50lb (22kg)**Ship Weight:** 2lb (.9kg)**Color:** Black**ACC-M1020**  
PLP mounting hardware kit

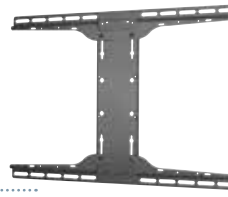
1. For usage when mounting PLP adaptors using the PLP mounting pattern

**Ship Weight:** 0.4lb (0.18kg)**PLP-UNM** Universal I-Shaped Adaptor  
for 22" to 50" Displays

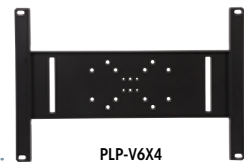
1. Universal adaptor for 22" to 50" displays with VESA® mounting pattern from 200 x 200 to 400 x 400mm
2. Compatible to virtually any display mount with VESA® 100 x 100 mounting pattern (mounting hardware included)
3. ACC-M1020 required when mounting to Peerless-AV® PLP mounting pattern (sold separately)

**Max Load:** 150lb (68kg)**Ship Weight:** 5.44lb (2.5kg)**Color:** Black**PLP-UNL** Universal I-Shaped Adaptor  
for 32" to 90" Displays

1. Universal adaptor for 32" to 90" displays with VESA® mounting pattern from 200 x 200 to 600 x 400mm
2. Compatible to virtually any display mount with VESA® 100 x 100 mounting pattern (mounting hardware included)
3. ACC-M1020 required when mounting to Peerless-AV® PLP mounting pattern (sold separately)

**Max Load:** 150lb (68kg)**Ship Weight:** 6.30lb (2.9kg)**Color:** Black**PLP-V models**  
Dedicated Adaptor Plates

1. For use with Flat Panel Displays

**PLP-V100:** VESA® 100x100mm**PLP-V2X1:** VESA® 200x100mm**PLP-V2X2:** VESA® 200x200mm**PLP-V3X2:** VESA® 300x200mm**PLP-V3X3:** VESA® 300x300mm**PLP-V4X2:** VESA® 400x200mm**PLP-V4X3:** VESA® 400x300mm**PLP-V4X4:** VESA® 400x400mm**PLP-V6X2:** VESA® 600x200mm**PLP-V6X4:** VESA® 600x400mm**PLP-V6X6:** VESA® 600x600mm**PLP-V8X4:** VESA® 800x400mm**Color:** Black

To verify mount compatibility with any display or projector model use MountFinder™ at peerless-av.com.

CALL: 630-375-5100  
800-865-2112FAX: 630-820-8537  
800-359-6500E-MAIL:  
info@peerless-av.comON-LINE:  
peerless-av.com

## WSP700/WSP701 Metal Stud Wall Plate for use with Peerless-AV single stud arms

1. For use with SP/SA730, SP/SA740, SA746PU, PP/PA730, PP/PA740, PA746
2. Minimal wall footprint for added wall access and increased cable management options

**Max Load:** 80lb (36kg)  
**Mounting Surface:** **WSP700** 16" Center Metal Studs  
**WSP701** 20" and 24" Center Metal Studs  
**Ship Weight:** **WSP700** 6.5lb (3kg)  
**WSP701** 10.5lb (5kg)  
**Color:** Gloss black



## WSP756 Metal Stud Wall Plate

1. For use with SA752PU, SA761PU, SA771PU, SAX755PU, SAX762PU and SAX772PU
2. Increased cable management options

**Max Load:**  
**for SA752P(U):** 90lb (40.8kg)  
**for SA761P(U):** 130lb (58.9kg)  
**for SA763PU/771P(U):** 200lb (90.7kg)  
**for SAX755PU:** 80lb (36kg)  
**for SAX762PU:** 110lb (50kg)  
**for SAX772PU:** 135lb (61.23kg)  
**Mounting Surface:** 16", 20" and 24" Center Metal Studs  
**Ship Weight:** 16.5lb (7kg)  
**Color:** Gloss black



## WBK100(-W) Short Throw Double Stud Wall Plate

1. For wood stud, 16" (406mm) centers, and concrete or cinder block applications
2. Allows for 6" (152mm) of lateral adjustment
3. Mounting hardware included
4. Compatible with PSTA-028 and PSTA-2955

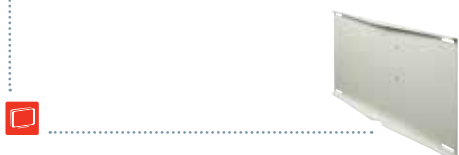
**Max Load:** 50lb (22kg)  
**Ship Weight:** 7lb (3.2kg)  
**Color:** Black or white



## WSP425(W)/445 Metal Stud Wall Plates - Double Stud

1. For use on 25 gauge or heavier metal studs to span load between two studs with 16" (406mm) or 24" (609mm) centers
2. Can also be used on wood studs
3. Compatible with Peerless-AV PWA-14, WMJ018 and WMJ022 wall arms

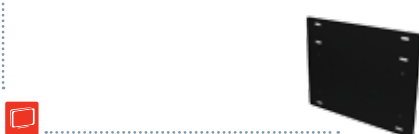
**WSP425(W):** 16" (406mm) centers with knockouts  
**WSP445:** 24" (609mm) centers with knockouts  
**Max Load:** **WSP models** 125lb (57kg)  
**Ship Weight:** **WSP425(W)** 11lb (5kg)  
**WSP445** 15lb (6.8kg)  
**Color:** **WSP models** Black or white



## WSP816/820/824 Metal Stud Wall Plate for FPS-1000 and SP850

1. Compatible with FPS-1000 and SP850
2. Designed to span the load between 2 studs

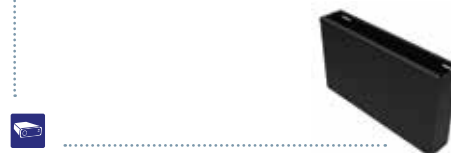
**WSP816:** 16" (406mm) centers  
**WSP820:** 20" (508mm) centers  
**WSP824:** 24" (609mm) centers  
**Max Load:** **WSP816:** 150lb (68kg) on mount  
**WSP820:** 150lb (68kg) on mount  
**WSP824:** 125lb (56.7kg) on mount  
**Ship Weight:** **WSP816:** 14.5lb (6.6kg)  
**WSP820:** 15.6lb (7.1kg)  
**WSP824:** 15.96lb (7.2kg)  
**Color:** Black or white



## ACC625/630 Dedicated Wall Adaptor Box

1. Compatible with SMART Arm 600i, SMART UX60 and Hitachi A100WALLARM2
2. Mounts to studs 16" on center
3. Expandable depth range of 2.14"-3.50" with ACC625 and 3.26"-5.50" with ACC630

**Overall Dimensions:** (W x H x D)  
**ACC625:** 18.48" x 10.75" x 3.50" (469 x 273 x 89mm)  
**ACC630:** 18.48" x 10.75" x 5.50" (469 x 273 x 139mm)  
**Max Load:** **ACC625** 60lb (27.2kg)  
**ACC630** 50lb (22.6kg)  
**Ship Weight:** **ACC625** 15lb (6.8kg)  
**ACC630** 17.5lb (7.9kg)  
**Color:** Black



To verify mount compatibility with any display or projector model use MountFinder™ at peerless-av.com.



CALL: 630-375-5100  
800-865-2112



FAX: 630-820-8537  
800-359-6500



E-MAIL: info@peerless-av.com



ON-LINE: peerless-av.com



Display Mounts



Projector Mounts

**ACC918, ACC925***VESA® Security Fasteners*

1. Screen-side security fasteners for theft resistance

**ACC918:** for VESA® 75, 100 and 200 x 100mm mounts  
**ACC925:** for VESA® 200 to 800 x 400mm mounts

**Ship Weight:** **ACC918** 0.49lb (0.2kg)  
**ACC925** 0.84lb (0.38kg)

**Color:** Black

**ACC215, ACC415, ACC615***Metal Stud Fastener Kit*

1. For mounting Peerless-AV wall mounts to 25 gauge or heavier metal studs

**ACC215:** 2 anchors  
**ACC415:** 4 anchors  
**ACC615:** 6 anchors

**Ship Weight:** **ACC215** 0.19lb (0.09kg)  
**ACC415** 0.32lb (0.1kg)  
**ACC615** 0.47lb (0.2kg)

**ACC230/233/234, ACC240/243/244***Concrete Anchors*

1. For attachment to concrete and concrete block
2. ACC233, ACC234, ACC230: 8mm anchor used in conjunction with #14 x 2.5" (63mm) wood screw  
 ACC243, ACC244, ACC240: 10mm anchor used in conjunction with #5/16 x 3" (76mm) wood screw

**ACC233/243:** 3 anchors  
**ACC234/244:** 4 anchors  
**ACC230/ACC240:** 50 anchors

**Ship Weight:**  
**ACC233/243:** 0.05lb (0.02kg)  
**ACC234/244:** 0.05lb (0.22kg)  
**ACC230/ACC240:** 1lb (0.45kg)

**ACC605***Wall Hardware for IWB600-SB*

1. 4 each security screws, concrete anchors, toggle and washers

**Ship Weight:** 0.32lb (0.14kg)

**ACC200, ACC205, ACC210, ACC255***Concrete Expansion Anchors*

1. Not recommended for concrete block applications (see ACC233, ACC234, ACC230, ACC243, ACC244, ACC240 for all types of concrete and cinder block applications)

**ACC200:** 2 anchors  
**ACC205:** 3 anchors  
**ACC210:** 4 anchors  
**ACC255:** 50 anchors

**Ship Weight:** **ACC200** 0.21lb (0.09kg)  
**ACC205** 0.21lb (0.09kg)  
**ACC210** 1lb (0.45kg)  
**ACC255** 2.09lb (0.94kg)

**PVP1100-CPL6***Six Outlet Surge Protector*

1. Electrical Rating - 15A, 120V, 1800W Watt
2. Surge Energy Joule Rating – 2160 Joules
3. Protection Indicator Lights – Green and red lights confirm components are protected
4. Safety Shutdown Technology – Thermal fuses to power off protecting against fire, over voltage or when surge protection expires
5. EMI/RFI Noise Filter – Noise filtering for enhanced component performance

**ACC954** *Theft resistant security kit for the PTM400 and PTM200*

1. Theft Resistant Security Kit for the PTM400 and PTM200

**PVP4000-PL10***Ten Outlet Surge Protector*

1. IR Signal Indicator – Any IR remote will turn on all 7 switched outlets
2. Display – Shows total current of switched outlets in real-time
3. Protection Indicator Lights – Green and red LED indicator lights confirm components are protected
4. DSS/Coax Connectors – Gold-plated connectors provide surge protection for cable, DSS, and cable modems
5. Un-Switched Outlets – 3 continuously powered outlets
6. Switched Power Save Outlets – Outlets automatically turn off when maximum power consumption is below 30%

**PVP2000-PL4***Four Outlet Surge Protector*

1. Protection Indicator Lights – Green and red LED indicator lights confirm components are protected
2. Master Outlet – Continuously powered and controls both power and saver outlets
3. Energy Saver Outlets – Powered based on master outlet status
4. Outlet Expansion – Expands outlet to support up to 4 plugs
5. Network/Phone (RJ45/RJ11) Combo Jacks – Network or phone line surge protection

**PVP1000-PL6***Swiveling Outlet Surge Protector*

1. Swiveling Outlets – Each side turns up to 90-degrees for low-profile, convenient access
2. Protection Indicator Lights – Green and red LED indicator lights confirm components are protected
3. Outlet Expansion – Expands outlet to support up to 6 plugs
4. EMI/RFI Noise Filter – Noise filtering for enhanced component performance



## ACC111 Safety Belt

1. Wraps around back of mount for additional roll out protection

**Max Load:** 150lb (68kg)  
**Ship Weight:** 1lb (0.5kg)  
**Color:** Black



## ACC316 Safety Belt

1. 8' (2438mm) belt to secure equipment to shelves with slots
2. Tear-resistant nylon
2. For use with Metal Shelf (ACC-MS) or Laptop Tray (ACC328)

**Ship Weight:** 0.3lb (0.1kg)



## ACC666 Safety Belt

1. Heavy-duty black nylon safety belt
2. 13' endless loop ratchet tie-down
3. Recommended for use with mounts and carts

**Max Load:** 300lb (136kg)  
**Ship Weight:** 0.7lb (0.3kg)  
**Color:** Black



## ACC320 Electrical Outlet Strip with Cord Wrap

1. For use with SR Cart series
2. Includes outlet strip with three outlets
3. 20' (6096mm) cord with hanger clamp and cord wrap

**Ship Weight:** 3lb (1.3kg)  
**Color:** Black



## MIS995 800mm VESA® Adaptor for Carts & Stands

1. For use with SR560M(-AB)(-AW), SR575M, SR575K, SS560F, SS560M, SS560G & SS575K
2. Converts a 600 x 400mm VESA® pattern to a 800 x 400mm pattern on carts and stands

**Ship Weight:** 4.31lb (2.0kg)  
**Color:** Black



## ACC-DS-VW2X2 Video Wall Conversion Kit

1. Clamps the 2x2 video wall mount directly to two FPZ-600 stands
2. Height adjustable along the FPZ-600 poles
3. Media player shelf ACC340 conveniently attaches to the back side of the clamp
4. Compatible with DS-VW655-2X2

**Max Load:** 600lb (272kg)  
**Ship Weight:** 9.5lb (4.3kg)  
**Color:** Black



## ACC604 Dual-display Cartridge

1. For use with FPZ-600 display stands for two stacked displays and four-display formation

**Ship Weight:** 12lb (5kg)  
**Color:** Black



## MIS735 Dual-display Cartridge

1. For use with FPZ-670 display stands for two stacked displays and four-display formation

**Ship Weight:** 24lb (10.8kg)  
**Color:** Black



# Casters and Feet Accessories

## ACC-BPR Bumper Accessory for Cart Legs

1. For use with SR carts
2. Prevents damage to walls and doorways

**Ship Weight:** 1.6lb (0.73kg)  
**Color:** Black



## ACC310 Cart or Stand Feet Accessory

1. Four feet for stationary cart placement
2. Hard plastic base with steel casing

**Ship Weight:** 1lb (0.45kg)  
**Color:** Black



To verify mount compatibility with any display or projector model use MountFinder™ at [peerless-av.com](http://peerless-av.com).



CALL: 630-375-5100  
800-865-2112



FAX: 630-820-8537  
800-359-6500



E-MAIL: [info@peerless-av.com](mailto:info@peerless-av.com)



ON-LINE: [peerless-av.com](http://peerless-av.com)



Display Mounts



Projector Mounts

**ACC-MS***Metal Shelf for Carts or Stands*

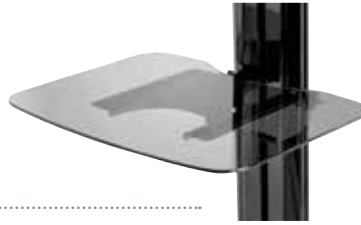
1. Attaches directly to post of SR series carts and SS series stands
2. Tool-less repositioning

**Max Load:** 10lb (4.5kg)  
**Ship Weight:** 14lb (6.36kg)  
**Color:** Black

**ACC-GS1** *Tempered Glass Shelf for Carts or Stands*

1. Attaches directly to post of SR series carts and SS series stands
2. Tool-less repositioning

**Max Load:** 10lb (4.5kg)  
**Ship Weight:** 14lb (6.36kg)  
**Color:** Black

**ACC-GS1E** *Tempered Glass Shelf for SR555E or SR575E*

1. Attaches directly to cabinet of SR555E or SR575E carts

**Max Load:** 10lb (4.5kg)  
**Ship Weight:** 15lb (6.82kg)  
**Color:** Black

**ACC833** *Equipment Accessory Shelf for Pedestal Mounts*

1. Accommodates AV components
2. Mounts to 3.5" (89 mm) pole used in Peerless-AV's COL model pedestal displays
3. Can be mounted anywhere along the length of the column, facing any direction

**Max Load:** 40lb (18kg)  
**Ship Weight:** 10.1lb (4.6kg)  
**Color:** Black

**ACC325** *Accessory Shelf for FPZ-600*

1. Easily adjust along poles
2. 21"W (533mm) x 19"D (482mm)

**Max Load:** 25lb (11.3kg)  
**Ship Weight:** 19.7lb (8.93kg)  
**Color:** Black

**ACC-LA:***Laptop Arm for Carts or Stands*

1. Attaches directly to post of SR series carts and SS series stands
2. Supports laptop
3. Vertical height and 180° swivel adjustability

**Max Load:** 10lb (4.5kg)  
**Ship Weight:** 9.5lb (4.32kg)  
**Color:** Black

**ACC328***Laptop Tray for Monitor Mounts*

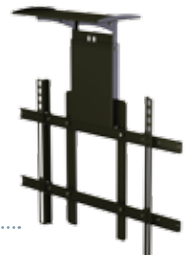
1. Simply attaches to LCT and LCW desktop and wall mounts for laptop usage
2. Designed with front edge to prevent laptop from sliding forward

**Max Load:** 8.4 to 17.8lb (3.8 to 8.1kg)  
**Ship Weight:** 3.8lb (1.72kg)  
**Color:** Black

**ACC-VCS***Video Conferencing Camera Shelf*

1. Attaches directly to post of SR series carts and SS series stands
2. Supports most video conferencing cameras

**Max Load:** 5lb (2.3kg)  
**Ship Weight:** 8.5lb (3.86kg)  
**Color:** Black



MODEL	Page #
ACC002	232
ACC050	232
ACC0951	215
ACC109	231
ACC111	235
ACC120	228
ACC200	234
ACC205	234
ACC210	234
ACC215	234
ACC230	234
ACC233	234
ACC234	234
ACC235	236
ACC240	234
ACC243	234
ACC244	234
ACC255	234
ACC2X1	226
ACC309	216
ACC310	235
ACC316	235
ACC320	235
ACC325	236
ACC328	236
ACC415	234
ACC450	159, 232
ACC455	230
ACC460	230
ACC4X4	226
ACC550	228
ACC557	229
ACC558	229
ACC559	229
ACC560	228
ACC570	228
ACC570-S	155, 228
ACC570-SW	155
ACC570-W	228
ACC600	229
ACC604	235
ACC605	234
ACC615	234
ACC625	233
ACC630	233
ACC640	232
ACC640-W	232
ACC641	232
ACC666	235
ACC800	231
ACC810	231
ACC830	232
ACC833	236
ACC840	228
ACC845	228
ACC850	231
ACC850-S	231
ACC852	232
ACC852-W	232

MODEL	Page #
ACC856	232
ACC856-W	232
ACC918	159, 234
ACC925	161, 234
ACC931	215
ACC931-S	215
ACC932	215
ACC932-S	215
ACC952	226
ACC954	234
ACC-BPR	235
ACC-CCP	228
ACC-CCPHD	155, 228
ACC-DS-VW2X2	235
ACC-DTSLK	35
ACC-DTRSK	35
ACC-DTTP3	35
ACC-GS1	236
ACC-GS1E	236
ACC-HPF650	226
ACC-LA	236
ACC-M1020	232
ACC-MS	236
ACC-VCS	236
ACC-WMVCS	217, 226
ACCXT400	226
ACCXT402	226
ACSTA1-US	177
ADD Models	231
AEC Models	204, 231
AVL	211
AVM	211
BFR Series	207
CFR Series	206
CL-4765	15
CL-5565	15
CL-49PLC68-OB	10
CL-55PLC68-OB	11
CLCOV-LG-GR	17
CLCOV-MD-GR	17
CL-ENCL68	47
CLP-49PLC68-OB	10
CLP-55PLC68-OB	11
CMJ300	228
CMJ310	228
CMJ450	230
CMJ453	230
CMJ455	230
CMJ470	155, 228
CMJ470-W	155, 288
CMJ480	228
CMJ490	228
CMJ500R1	230
CMR410	223
COL510P	176
COL610P	176
COL710P	176
COL810P	176
DCS200	229

MODEL	Page #
DCS400	229
DCT100	229
DCT300	229
DCT500	229
DCT600	229
DCT800	229
DCT900	229
DEB-HD10	224
DEW-JJ05	224
DEW-JR05	224
DEW-RR05	224
DS Models	214
DS334	144
DS496	144
DS-C555-3X2	62
DS-C555-3X3	62
DS-C555-4X2	63
DS-C555-4X3	63
DS-C560-1X3	61
DS-C560-2X2	61
DSF290	162
DS-MBZ642L	70
DS-MBZ647L	70
DS-MBZ647P	70
DS-MBZ942L-2X1	71
DS-MBZ942L-3X1	72
DS-MBZ947L-2X1	71
DS-MBZ947L-3X1	72
DS-S555-3X2	65
DS-S555-3X3	65
DS-S555-4X2	66
DS-S555-4X3	66
DS-S560-1X3	64
DS-S560-2X2	64
DS-S560-B2XB	67
DST360	143
DST660	142
DST942-6	151
DST965	147
DST970X2	148
DST975-4	150
DST980-3	149
DST995	145
DS-VW650	50
DS-VW655-2X2	52
DS-VW665	51
DS-VW755S	53
DS-VW765-LAND	54
DS-VW765-LQR	56
DS-VW765-POR	55
DS-VW765-PQR	57
DS-VW775	58
DS-VW795-GR	59
DS-VWM770	60
DS-VWT955-2X2	68
DSX200	216
DSX750	144
ECMU-01-C/-C-S	23
ECMU-01-I/-1-S	23

To verify mount compatibility with any display or projector model use MountFinder™ at [peerless-av.com](http://peerless-av.com).



CALL: 630-375-5100  
800-865-2112



FAX: 630-820-8537  
800-359-6500



E-MAIL:  
[info@peerless-av.com](mailto:info@peerless-av.com)



ON-LINE:  
[peerless-av.com](http://peerless-av.com)

MODEL	Page #
ECMU-02-C/C-S	23
ECMU-02-I/I-S	23
ECMU-03-C/C-S	23
ECMU-03-I/I-S	23
ECMU-04-C/C-S	23
ECMU-04-I/I-S	23
EDS-VW765-LAND	20, 69
EFR Series	208
EPA762PU	21
EPMU-05	24
EPMU-05-S	24
EPMU-06	24
EPMU-06-S	24
EPMU-07	24
EPMU-07-S	24
EPMU-08	24
EPMU-08-S	24
EPT630	19
EPT650	19
EPT650-S	19
ESA763PU	21
ESF655P	18
ESHV10	212
ESHV20	212
ESHV30	212
EWMU	22
EWMU-S	22
EXT Models	155, 204, 231
FFR Series	210
FLD-UNV	226
FLD-UNV-S	226
FPE42F-S	39
FPE47F-S	39
FPE55F-S	39
FPECMC-01	40
FPECMC-02	40
FPECMC-03	40
FPECMC-04	40
FPECFI-01	40
FPECFI-02	40
FPECFI-03	40
FPECFI-04	40
FPEPM-05	40
FPEPM-06	40
FPEPM-08	40
FPEWM	40
FPS-100	104
FPZ-600	173
FPZ-670	174
GC-PS3S	219
GC-UNV	218
GC-WII	219
GC-X360S-B	219
GC-X360S-W	219
HCC501	169
HDS300	43
HDS300-2	43
HDS300-3	43
HDS300-4	43

MODEL	Page #
HDS300-5	43
HDS300-6	43
HDS-ATA100	48
HDS-IWK-300	44
HDS-IWM-300	44
HDS-OWK-300	44
HDS-OWRE-300	44
HDS-PWK-300	44
HDS-PWM-300	44
HDS-WHI100	42
HF642-002	136
HF642-003	137
HLC-KIT	177
HLC-KIT-Q10	177
HP432-022	178
HP447	179
HP455	180
HPF650	103
HT642-002	138
HT642-003	139
HT642-004	140
IBA2	227
IBA2AC	227
IBA2AC-W	227
IBA2-W	227
IBA3	227
IBA3AC	227
IBA3AC-W	227
IBA3-W	227
IBA4	227
IBA4-W	227
IBA5	227
IBA5-W	227
IRTO49-100	13
IRTO55-100	13
IWB600-25B	203
IWB600-UNIV	202
IWB600-UNI-W	202
IWB600-WB	203
KIL540	30
KIL540-S	30
KIL542	30
KIL542-S	30
KIL546	30
KIL546-S	30
KIL547	30
KIL547-S	30
KIL555	30
KIL555-S	30
KIL640	31
KIL640-S	31
KIL642	31
KIL642-S	31
KIL646	31
KIL646-S	31
KIL647	31
KIL647-S	31
KIL648	31
KIL648-S	31

MODEL	Page #
KIL655	31
KIL655-S	31
KIL740	32
KIL740-S	32
KIL742	32
KIL742-S	32
KIL746	32
KIL746-S	32
KIL747	32
KIL747-S	32
KIL748	32
KIL748-S	32
KIL755	32
KIL755-S	32
KIP4101-AW	33
KIP4101	33
KIP4101-S	33
KIP540	28
KIP540B	29
KIP540B-S	29
KIP540-S	28
KIP542	28
KIP542B	29
KIP542B-S	29
KIP542-S	28
KIP546	28
KIP546B	29
KIP546B-S	29
KIP546-S	28
KIP547	28
KIP547B	29
KIP547B-S	29
KIP547-S	28
KIP548	28
KIP548B	29
KIP548B-S	29
KIP548-S	28
KIP555	28
KIP555B	29
KIP555B-S	29
KIP555-S	28
KIP640	31
KIP640-S	31
KIP642	31
KIP642-S	31
KIP646	31
KIP646-S	31
KIP647	31
KIP647-S	31
KIP648	31
KIP648-S	31
KIP655	31
KIP655-S	31
KIP740	32
KIP740-S	32
KIP742	32
KIP742-S	32
KIP746	32
KIP746-S	32

To verify mount compatibility with any display or projector model use MountFinder™ at [peerless-av.com](http://peerless-av.com).





MODEL	Page #
KIP747	32
KIP747-S	32
KIP748	32
KIP748-S	32
KIP755	32
KIP755-S	32
KIPC540	26
KIPC540-S	26
KIPC542	26
KIPC542-S	26
KIPC546	27
KIPC546-S	27
KIPC547	27
KIPC547-S	27
KIPC548	27
KIPC548-S	27
KIPC549	27
KIPC549-S	27
KIPC550	27
KIPC550-S	27
KIPC555	26
KIPC555-S	26
KOL549-S-XTR	38
KOL549-XTR	38
KOL555-S-XTR	38
KOL555-XTR	38
KOP549B-S-XTR	37
KOP549B-XTR	37
KOP549-S-XTR	36
KOP549-XTR	36
KOP549-XTR-1	34
KOP549-XTR-2	34
KOP549-XTR-3	34
KOP555B-S-XTR	37
KOP555B-XTR	37
KOP555-S-XTR	36
KOP555-XTR	36
LCFS-100	175
LCFS-100S	175
LCT100S	183
LCT620A	184
LCT620AD	185
LCT620AD-G	185
LCT620A-G	184
LCT620AQ-G	187
LCT620AT-G	186
LCW620A	188
LCW620AD	188
LT-320	141
MDJ700	152
MDJ701	152
MDJ710	152
MDJ711	152
MDJ720	152
MDJ721	152
MDJ760	152
MIS735	235
MIS995	235
MOD-ACF	159, 199

MODEL	Page #
MOD-ACF2	161
MOD-ACF-W	199
MOD-ADF	159, 161, 199
MOD-APC	159, 161, 199
MOD-ASC	159
MOD-ASC2	161
MOD-ATA	199
MOD-ATA-W	199
MOD-ATD-W	159, 161, 199
MOD-AUB	159, 199
MOD-AWM2	161
MOD-CP12	161
MOD-CPC	199
MOD-CPC-W	159, 199
MOD-CPF	159, 199
MOD-CPF-W	199
MOD-CPI	159, 199
MOD-FCS2KIT300	160
MOD-FCS2KIT300-B	160
MOD-FCSKIT300	158
MOD-FCSKIT300-B	158
MOD-FPF2	161
MOD-FPMD	159
MOD-FPMD2	161
MOD-FPMS	159
MOD-FPMS2	161
MOD-FPP2	161
MOD-FPP2KIT200	160
MOD-FPP2KIT200-B	160
MOD-FPS2KIT150	160
MOD-FPS2KIT150-B	160
MOD-FPSKIT100	158
MOD-FPSKIT100-B	158
MOD-FPSKIT150	158
MOD-FPSKIT150-B	158
MOD-FW2KIT300	160
MOD-FW2KIT300-B	160
MOD-P100	159, 161, 199
MOD-P100-B	159
MOD-P150	159, 161, 199
MOD-P150-B	159
MOD-P200	159, 161, 199
MOD-P200-B	159
MOD-P300	159, 161, 199
MOD-P300-B	159
MOD-PRGSKIT100	198
MOD-PRGSKIT100-B	198
MOD-PRGSKIT150	198
MOD-PRGSKIT150-B	198
MOD-PRGSKIT300	198
MOD-PRGSKIT300-B	198
MOD-PRSSKIT100	198
MOD-PRSSKIT100-B	198
MOD-PRSSKIT150	198
MOD-PRSSKIT150-B	198
MOD-PRSSKIT300	198
MOD-PRSSKIT300-B	198
MOD-UNL2	161
MOD-UNL-ATD-W	159

MODEL	Page #
MOD-UNM	159
MOD-WP2	161
PA730	124
PA740	125
PA746	126
PA750	127
PA762	128
PB-1	230
PCTO49-100	14
PCTO49-100P	14
PCTO55-100	14
PCTO55-100P	14
PE1120	197
PE1120-W	197
PF630	107, 114
PF632	115
PF640	116
PF650	117
PF660	117
PFE42FH-S	39
PFE47FH-S	39
PFE55FH-S	39
PJF2 Models	191
PJF2-1	191
PJF2-1-S	191
PJF2-UNV	191
PJF2-UNV-S	191
PJF3-EXA	195
PJF3-EXA-W	195
PJF3-EXB	195
PJF3-EXB-W	195
PJF3-EXC	195
PJF3-EXC-W	195
PJF3-UNV	195
PJF3-UNV-W	195
PLB-1	146
PLCK-UNL	156
PLCM-1	154
PLCM-1CP	154
PLCM-2	155
PLCM-2-UNL	154
PLCM-4	155
PLCM-UNL	154
PLCM-UNL-CP	154
PLCM-UNL-CP-AB	154
PLCM-UNL-CP-AW	154
PLP-UNL	155, 232
PLP-UNM	155, 232
PLP-V Models	155, 232
PP730	122
PP740	123
PRG-1	190
PRG3-EXA	194
PRG3-EXA-W	194
PRG3-EXB	194
PRG3-EXB-W	194
PRG3-EXC	194
PRG3-EXC-W	194
PRG-I-W	190

To verify mount compatibility with any display or projector model use **MountFinder™** at [peerless-av.com](http://peerless-av.com).



CALL: 630-375-5100  
800-865-2112



FAX: 630-820-8537  
800-359-6500



E-MAIL:  
[info@peerless-av.com](mailto:info@peerless-av.com)



ON-LINE:  
[peerless-av.com](http://peerless-av.com)

MODEL	Page #
PRGS-455	193
PRGS-UNV	193, 199
PRGS-UNV-S	193
PRGS-UNV-W	193, 199
PRG-UNV	190
PRG-UNV-W	190
PRSS-UNV	192, 199
PRSS-UNV-S	192
PRSS-UNV-W	199
PS200	213
PSM-UNV	196
PSM-UNV-S	196
PSM-UNV-W	196
PSMU-PRSS	196, 199
PSMU-PRSS-S	196
PSMU-PRSS-W	199
PSP2	220
PSP2-W	220
PSP5	220
PSP5-W	220
PSTA-02B	200
PSTA-02B-W	200
PSTA-1600	201
PSTA-2955	200
PSTA-2955-W	200
PSTK-02B	200
PSTK-02B-W	200
PSTK-2955	200
PSTK-2955-W	200
PT630	118
PT632	119
PT640	120
PT650	121
PT660	121
PTM200	181
PTM400	181
PTM400S	181
PTM400S-W	181
PTM400-W	181
PTS510I	182
PTS510I-S	182
PTS510I-W	182
PVP1000-PL6	234
PVP110-CPL6	234
PVP2000-PL4	234
PVP4000-PL10	234
PW-14	230
PW-14-S	230
PW-14-W	230
QER Series	209
REM-0006	17
SA730P	108
SA740P	109
SA746PU	110
SA752PU	111
SA761PU	112
SA771PU	113
SAX755PU	82
SAX762PU	83
SAX772PU	84

MODEL	Page #
SF16D	99
SF24D	99
SF630	85
SF630P	85
SF632	86
SF632P	86
SF640	87
SF640P	87
SF650	88
SF650P	88
SF670	89
SF670P	89
SF680	90
SF680P	90
SFX645	80
SFX645P	80
SFX650	80
SFX650P	80
SFX660	80
SFX660P	80
SL-HDRU02	224
SP730P	101
SP740P	102
SP746PU	102
SP80-UNLP	107
SP840	105
SP850	106
SP850P	106
SP850P-S	106
SP850-S	106
SP850-UNL	107
SP850-V2X2	106
SPF680	91
SPK-060	12, 46
SPK26	222
SPK811	221
SPK811W	221
SPK815	222
SR555E	167
SR555M	168
SR560-AW	163
SR560M	163
SR560M-AB	163
SR575E	167
SR575K	165
SR575M	164
SR598	166
SR598-HUB	166
SS560F	170
SS560G	171
SS560M	170
SS575K	172
ST16D	100
ST24D	100
ST630	92
ST630P	92
ST632	93
ST632P	93
ST640	94
ST640P	94

MODEL	Page #
ST650	95
ST650P	95
ST660	95
ST660P	95
ST670	96
ST670P	96
ST680	97
ST680P	97
ST940-EXA	157
ST940-EXA-W	157
ST940-EXB	157
ST940-EXB-W	157
ST940-EXC	157
ST940-EXC-W	157
STP680	98
STX645	81
STX645L	81
STX645P	81
STX650	81
STX650L	81
STX650P	81
STX660	81
STX660L	81
STX660P	81
SUA740P	132
SUA747PU	133
SUA761PU	134
SUA771PU	135
SUF640P	129
SUF641	130
SUF650P	129
SUF651	130
SUF660P	129
SUF661	130
SUT646P	131
SUT670P	131
UV491	16
UV551	16
UV651	16
VPM Models	214
WBK100	233
WBK100-W	233
WL-SR560M-300	45
WMJ018	230
WMJ022	230
WSP425	233
WSP425-W	233
WSP445	233
WSP700	233
WSP701	233
WSP756	233
WSP816	233
WSP820	233
WSP824	233

To verify mount compatibility with any display or projector model use MountFinder™ at [peerless-av.com](http://peerless-av.com).



# Terms & Conditions

## TERMS OF PAYMENT

Payment should be made according to the payment terms referenced on the invoice of each shipment. Each shipment shall be considered a separate and independent transaction, and payment, therefore, shall be made accordingly. Please include our invoice number with your payment.

## PRICES

Prices are subject to change without prior notice. Orders are accepted at pricing in effect on the date of shipment. Customers requiring price guarantees for a specific period of time must submit a written list of purchase orders on which proposals have been made, giving the date of the proposal, the customer's name, items quoted and the expected purchase date.

## SPECIFICATIONS

Peerless-AV® is constantly striving to develop new products and improve existing ones. We therefore reserve the right to change or revise product designs, product specifications, and model numbers without notice.

## DELIVERY

Prices are FOB warehouse, Aurora, Illinois, USA, or point of shipment. All transportation costs and risk of freight damage are the obligation of the buyer. Any claims for shortages or damages, whether concealed or otherwise, must be filed with the common freight carrier. All promises of delivery are made in good faith, and Peerless-AV will make every reasonable effort to see that they are fulfilled. However, if we are unable to meet scheduled delivery dates due to factors beyond our control, such as fires, strikes, government directive, or failure of our suppliers to meet their promises, we shall not be liable for consequential or special damage. Refused shipments will automatically receive a 25% restocking fee plus the cost of the return freight.

## RETURN OF GOODS

For returns please call 800-865-2112 or email us at [returns@peerless-av.com](mailto:returns@peerless-av.com)

Return of goods for repair, warranty claims, credit or any other reason will not be accepted without a RETURN MATERIAL AUTHORIZATION (RMA) number. Such number can be obtained from the Peerless-AV Customer Service Team upon request, provided that all of the necessary information is available regarding the proposed return. Defective goods will be replaced or credited, at the customer's option, at no additional charge.

A minimum 25% restocking charge applies to all non-defective products returned for credit within the first 30 days after purchase. Thereafter, a larger restocking charge will be applied based upon the date of original shipment. Products will not be accepted for return 120 days after their original ship date. Custom product, specially produced or not normally carried in inventory, will not be accepted for return under any circumstances. Also, any obsolete products will not be accepted for return under any circumstances. All items to be returned must be sent back to us via pre-paid freight, with the RETURN MATERIAL AUTHORIZATION (RMA) number clearly marked on the carton and noted on the packing slip. No freight collect shipments will be accepted.

If a customer orders the wrong product by mistake, it may be returned with a reduced restocking charge of 10% if ALL of the following conditions are met; the incorrectly ordered products are returned within 30 days of receipt of shipment, the customer must pay freight to return the product, the product must be received in the original packaging and in like-new condition, the customer must immediately place a replacement order of equal or greater value than that of the order being returned. If and only if all of these conditions are met, at the discretion of Peerless-AV, may a customer receive the reduced 10% restocking charge.

It is the purchaser's responsibility to provide adequate packaging to protect the product being returned. Peerless-AV reserves the right to accept or reject the returned product subject to an inspection upon receipt. Products that are returned severely damaged may be rejected and therefore will not qualify for any type of return credit. The following chart defines the minimum restocking charge that will be applied for goods accepted for return by Peerless. It does not include any additional charges that may apply for damaged products or those needing rework.

<u>Days since shipping</u>	<u>Restocking Charge</u>
0-30	25%
31-59	35%
60-119	50%
120+	Returns not accepted

## SPECIAL ORDERS

We are ready to work with you to tailor our products for your special equipment mounting needs. In most cases, we can provide special paint, engineering, and manufacturing processes. Standard product colors are indicated within the catalog. Product (not including fasteners) can be ordered in other paint choices including black, white, silver, and gray for a surcharge. Charges for other custom paint colors and product design/manufacturing modifications will be quoted on an individual basis. Custom painted or manufactured product CANNOT BE RETURNED. Purchase orders CANNOT BE CANCELED once they are acknowledged by Peerless-AV. Contact the Customer Care Team for more information.

## LIMITED WARRANTY

Peerless Industries, Inc. ("Peerless-AV") warrants to original end-users of Peerless-AV products that Peerless-AV products will be free from defects in material and workmanship, under normal use, for the periods listed below, from the date of purchase by the original end-user. At its option, Peerless-AV will repair or replace with new or refurbished products or parts, or refund the purchase price of, any Peerless-AV product which fails to conform with this warranty.

In no event shall the duration of any implied warranty of merchantability or fitness for a particular purpose be longer than the period of the applicable express warranty set forth above. Some states do not allow limitations on how long an implied warranty lasts, so the above limitation may not apply to you.

This warranty does not cover damage caused by (a) service or repairs by the customer or a person who is not authorized for such service or repairs by Peerless-AV, (b) the failure to utilize proper packing when returning the product, (c) incorrect installation or the failure to follow Peerless-AV's instructions or warnings when installing, using or storing the product, or (d) misuse or accident, in transit or otherwise, including in cases of third-party actions and force majeure. This warranty also does not cover corrosion or rust resulting from damaged, scratched or chipped paint or other surfaces.

In no event shall Peerless-AV be liable for incidental or consequential damages or damages arising from the theft of any product, whether or not secured by a security device which may be included with the Peerless-AV product. Some states do not allow the exclusion or limitation of incidental or consequential damages, so the above limitation or exclusion may not apply to you.

This warranty is in lieu of all other warranties, express or implied, and is the sole remedy with respect to product defects. No dealer, distributor, installer or other person is authorized to modify or extend this Limited Warranty or impose any obligation on Peerless-AV in connection with the sale of any Peerless-AV product.

This warranty gives specific legal rights, and you may also have other rights which vary from state to state.

<u>Product</u>	<u>Warranty Period</u>
Mounts/Kiosk Enclosures	5 years
Furniture	1 year
Cables	25 years
Cleaning Products	1 year
Power Products	1 year
Electronic Products and components	1 year
Xtreme™ Displays	2 years
UV2™ TVs	1 year

## FREIGHT OPTIONS

**Freight Program** The Peerless-AV NO SUPPRISES™ FREIGHT PROGRAM takes the guesswork out of calculating your total costs. Freight costs are based on a percentage of the total order value. The Peerless-AV Freight Program only applies to dock deliveries. For further information or to obtain a freight quote, please contact Customer Care or your Peerless-AV Sales Representative.

**Collect** Have your order billed to the receiver on the receiver's freight account.

**Third Party Bill** Have your order billed to an approved third party's freight account.

With 75 years of experience in the audio visual industry, our commitment to the creation of cutting-edge technology and industry standard solutions have empowered us to become an innovative leader in the industry. From well-designed, quality-built products, to unmatched customer service, to outstanding custom project capabilities, Peerless-AV continues to help you and your business thrive with best-in-class AV.

**peerless-AV<sup>®</sup>**

**Peerless-AV**

2300 White Oak Circle  
Aurora, IL 60502 USA  
Toll Free: 800-865-2112  
P: 630-375-5100  
F: 800-359-6500  
sales@peerless-av.com

**Peerless-AV Europe**

Unit 3 Watford Interchange  
Colonial Way, Watford  
Herts, WD24 4WP  
United Kingdom  
P: +44(0) 1923 205600  
F: +44(0) 1923 205601

**Peerless-AV de México**

Ave de las Industrias 413  
Parque Industrial Escobedo  
Escobedo, N. L.,  
Mexico 66050  
P: +52 (81) 8384-8300  
F: +52 (81) 8384-8360