



Quam

SHELVES

WS20X16

WALL MOUNT

20" W x 16" D
Equipment Shelf

GENERAL DESCRIPTION

The **WS20X16** is a 20"W x 16"D wall mount equipment shelf with a ventilated platform, 1/2" raised front lip, two support arms, and a maximum static load capacity of 100 lbs. Black powder coat finish.

INTENDED USE - Indoor Environment

Installation | Mounted perpendicular to wall and parallel to floor.

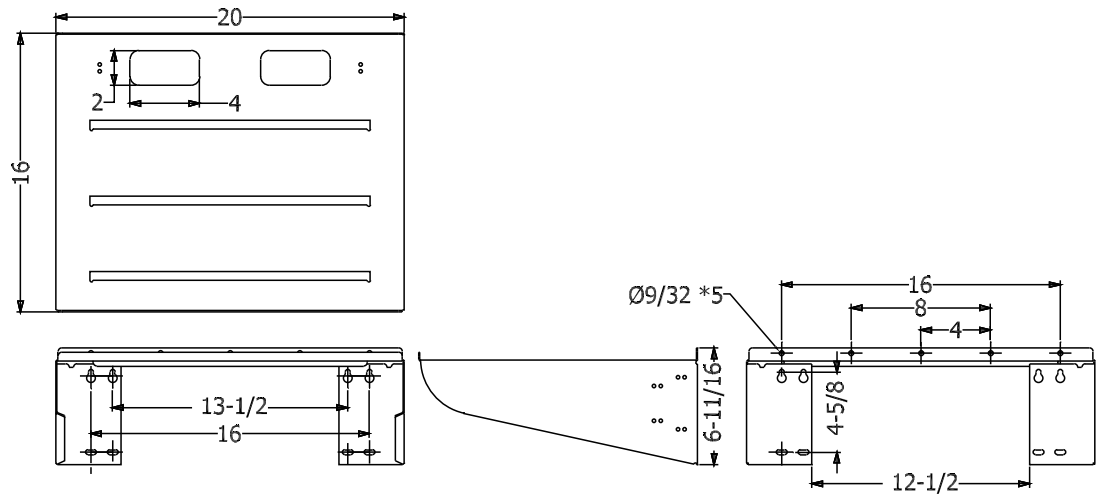
No assembly required.



SPECIFICATIONS

Finish	Black Powder Coat
Static Load Capacity	100 Lbs*

***SAFETY WARNING** - It is the responsibility of the Contractor and AHJ to determine the fastener type and installation method based on the static load, mounting structure, and local building codes.



Recommended construction sequences, installation instructions, and A&E Specifications are available in various formats in the QUAM Architects' and Engineers' Resources section on the web at: www.QuamSpeakers.com

© 2013 Quam-Nichols Company reserves the right to make changes and/or improvements to its products at any time and without notice.



QUAM-NICHOLS COMPANY, INC.
234 East Marquette Rd.
Chicago, IL. 60637
Tel: 1-800-NEED-NOW (800-633-3669)
Fax: 1-888-NEED-NOW (888-633-3669)
e-mail: NeedNow@QNC.com
www.QuamSpeakers.com