



IWE-PL20F Floodlight

1200 Watt

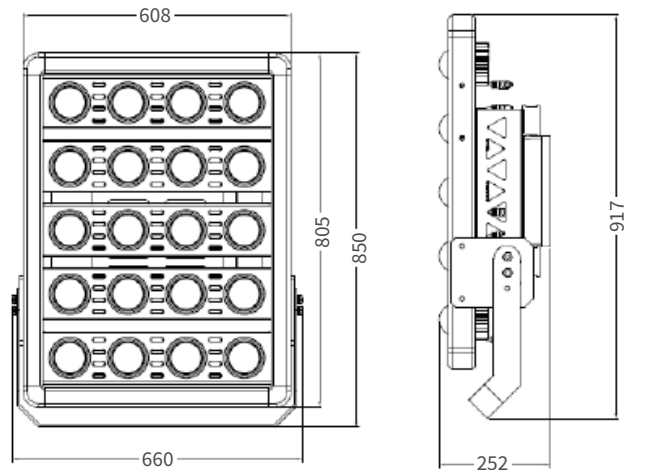
Key Benefits

- ✓ COB CITIZEN LED chipsets
- ✓ 130 lumens per watt
- ✓ 50,000 hour life expectancy
- ✓ Interchangeable glare defusing lenses
- ✓ Multiple beam angles: 30 - 130 degrees
- ✓ Versatile multi-voltage AC/DC 24 - 415
- ✓ Marine grade powder coating
- ✓ Corporate colour customisation
- ✓ 3000K - 5700K colour
- ✓ AC voltage panels 50 & 60 hertz
- ✓ 10 year warranty
- ✓ Multiple bracket options
- ✓ Spill shields for light control*



Quality Benefits

- ✓ ISO9001
- ✓ IP66
- ✓ Impact tested optical grade glass
- ✓ Aircraft grade aluminium chassis
- ✓ All fixing marine grade stainless steel (316)



*Optional extra

Model	LED	W	V	lm	Beam angle	C.T	Ra	T(h)	Hz	N.W. (Kg)
IWE-PL20F-1200	COB	1200	95-305VAC 415 VDC	176000 - 197000	30° - 130°	3000K - 5700K	70-90	50000	50/60	44

INNOVATION WITH ENERGY PTY LTD
 19 Tepko Road
 Terrey Hills NSW 2084
 Phone +61 2 9986 2396
 © IWE Group 2017. All information correct at time of print.

10
Year
Warranty

IP66
All
Weather

140
Lumens
/ Watt

132K-168K
Total
Lumens

www.iwegroup.com.au