



# IWE-PL4K-400 Floodlight 400 Watt

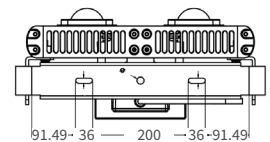
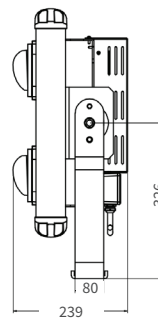
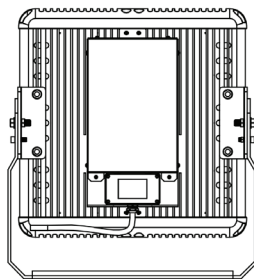
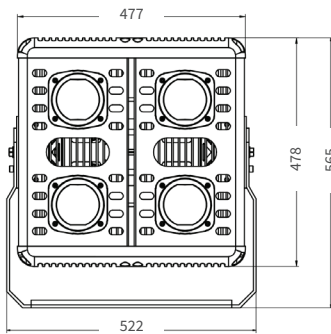
## Key Benefits

- ✓ COB LED chipsets
- ✓ 130 lumens per watt
- ✓ 50,000 hour life expectancy
- ✓ Interchangeable Lenses
- ✓ Multiple beam angles: 30 - 110 degrees
- ✓ Versatile multi-voltage 24-48 VDC 240 VAC
- ✓ Marine grade powder coating
- ✓ 3000K to 6500K colour
- ✓ AC voltage panels 50 & 60 hertz
- ✓ 10 year warranty
- ✓ Multiple bracket options
- ✓ Spill shields for light control\*



## Quality Benefits

- ✓ ISO9001
- ✓ IP66
- ✓ Impact tested optical grade glass
- ✓ Aircraft grade aluminium chassis
- ✓ All fixing marine grade stainless steel (316)
- ✓ AS/NZS 60598.2.5:2002



\*Optional extra

Model	LED	W	V	lm	Beam angle	C.T	Ra	T(h)	Hz	N.W. (Kg)
IWE-PL4K-400	COB	400	24-48VDC 240 VAC	44,000 - 52,000	30° - 110°	3000K - 6500K	70-80	50000	50/60	21,4

INNOVATION WITH ENERGY PTY LTD  
19 Tepko Road  
Terrey Hills NSW 2084  
Phone +61 2 9986 2396  
© IWE Group 2019. All information correct at time of print.

**10**  
Year  
Warranty

**IP66**  
All  
Weather

**130**  
Lumens  
/ Watt

**44K-52K**  
Total  
Lumens

[www.iwegroup.com.au](http://www.iwegroup.com.au)