

IWE-SL1E Streetlight 50 Watt

Key Benefits

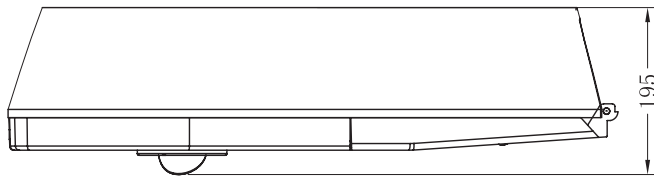
- ✓ COB LED Chipset
- ✓ 120 lumens per watt
- ✓ Interchangeable Lenses
- ✓ Beam angles: 140 degrees
- ✓ Marine grade powder coating
- ✓ 3000K to 6000K colour
- ✓ Colour options, black, white or custom
- ✓ AC voltage panels 50 & 60 hertz
- ✓ 5 year warranty
- ✓ IWE Control enabled *



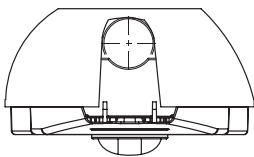
Quality Benefits

- ✓ Salt Spray tested to 1000hrs
- ✓ ISO9001
- ✓ IP66
- ✓ Impact tested optical grade glass
- ✓ Aircraft grade aluminium chassis
- ✓ All fixing marine grade stainless steel (316)

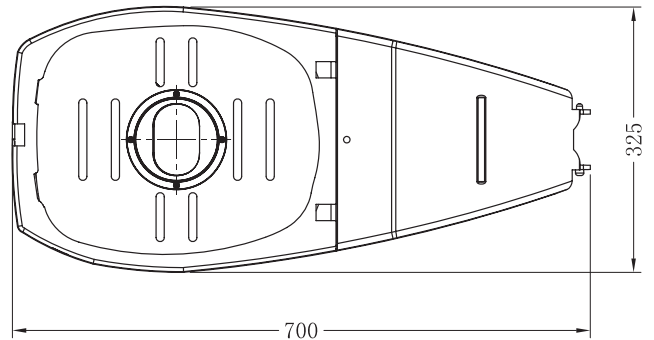
Side view



Bottom view



Front view



Model	LED	W	V	lm	Beam angle	C.T	Ra	T(h)	Hz	N.W. (Kg)
RETRO FIT IWE-SL1E-50	COB	50	240AC	5900 - 7000	75° - 145°	3000K to 6000K	>70	50000	50/60	6.5

INNOVATION WITH ENERGY PTY LTD
19 Tepko Road
Terrey Hills NSW 2084
Phone +61 2 9986 2396
© IWE Group 2017. All information correct at time of print.

5 Year Warranty	IP66 All Weather	120 Lumens / Watt	5K - 7K Total Lumens
------------------------------	-------------------------------	--------------------------------	-----------------------------------

www.iwegroup.com.au