



IWE-SL2E-100 Retrofit Streetlight
100Watt



IWE-SL2E-100 Retrofit Streetlight

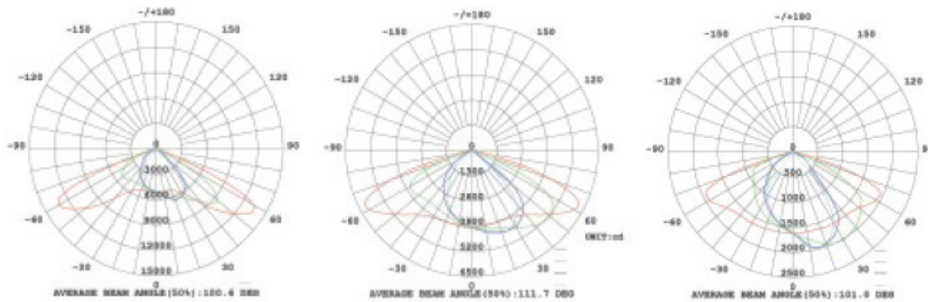
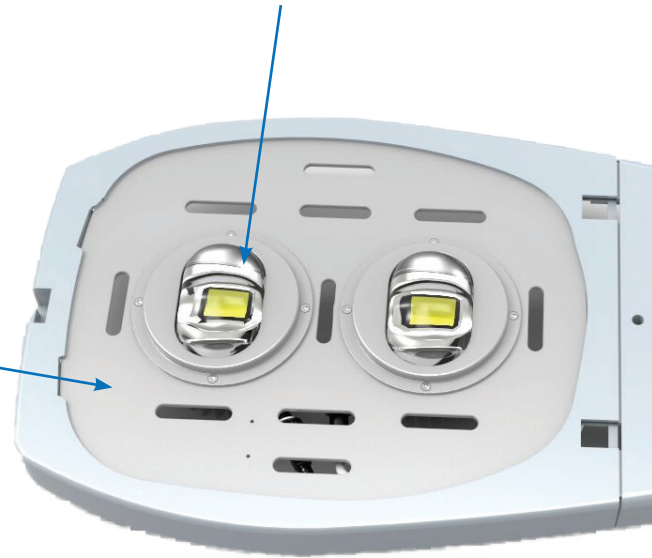
Introducing a new era
in illumination

Key Benefits

- Adopting COB source with luminous efficiency > 120LM/W
- Beam angle: Horizontal axis> 140° Vertical axis>65°
- Adopting IP66 driver with Meanwell brand
- Water proof: IP65 Rating
- Warranty: 3 years warranty and 50,000 switch on/off tested
- We provide the best lighting solution for your actual requirement
- Aircraft grade aluminium
- Effective heat transfer
- Energy Saving
- No Ultraviolet, reduces insect attraction
- Anti-glare optical lens design

Easily mounted in current fixtures

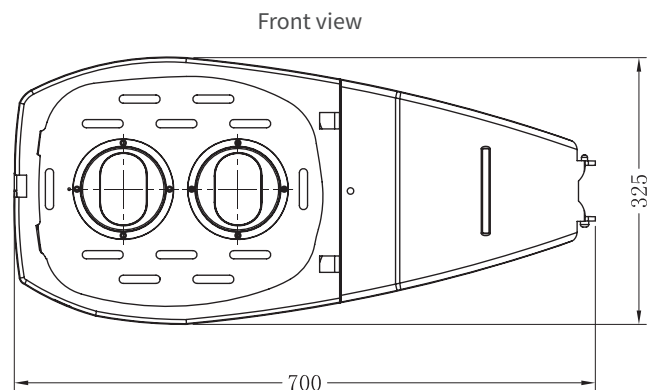
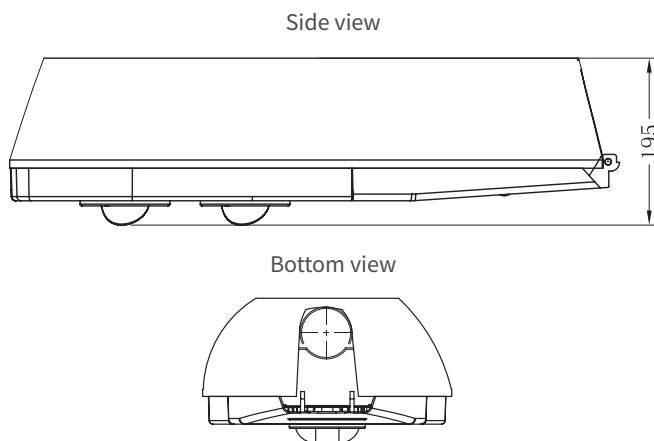
50,000 hour life expectancy



Applications

- Street lighting

Model	LED	W	V	lm	Beam angle	C.T	Ra	T(h)	Hz	N.W. (Kg)
IWE-SL2E-100	COB	100	90~295AC	1100~1300	140°	3000K-5500K	>70	50000	50/60	6.5



Visit www.iwegroup.com.au to learn more about us and our products