

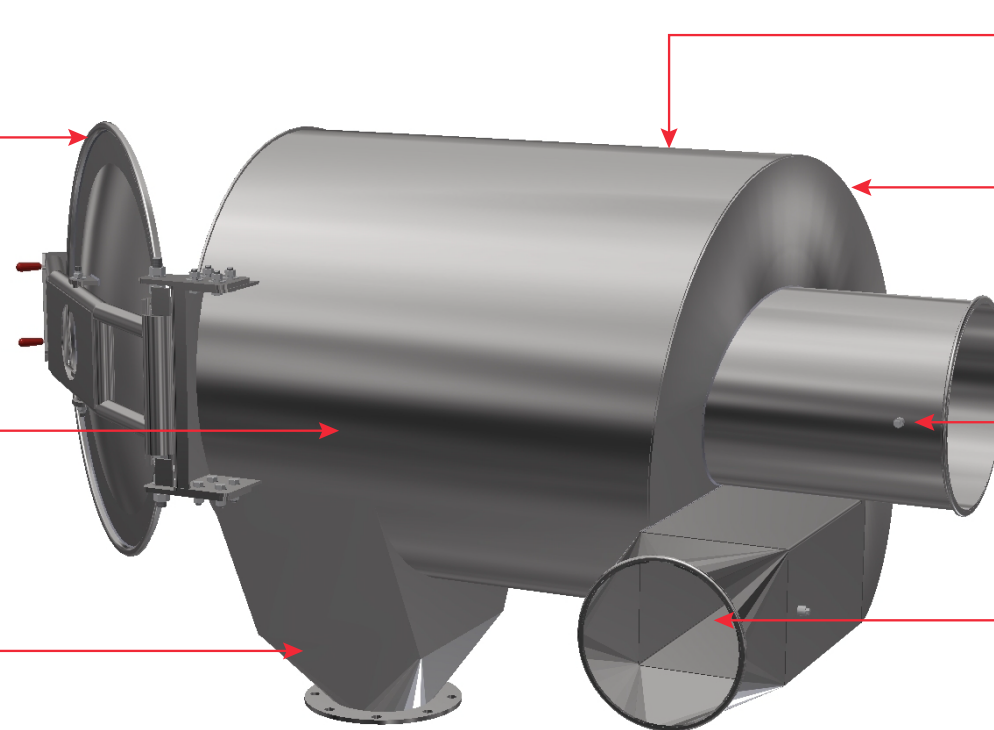
## Horizontal GPC Cyclone

### FEATURES

Removable or hinged back door for easy cleaning

Ground plate to keep cyclone compact and prevent dust re-entrainment

Isolated hopper prevents higher erosion seen in traditional cyclones



Horizontal design for low profile

Spiral inlet for efficient air distribution

Taps for measuring differential pressure

High velocity inlet for higher dust removal rate

Cyclone shown has optional inlet transition and quick clamp connections on air inlet and outlet.



**Aerodyne®**  
ENVIRONMENTAL

17387 Munn Road • Chagrin Falls, OH 44023

(440) 543-7400 • FAX: (440) 543-7404

800-358-7546 • [www.DustCollectorHQ.com](http://www.DustCollectorHQ.com)