

XT22 MAGNUM PISTOL

USER'S MANUAL



WARNING: READ THE INSTRUCTIONS AND SAFETY PRECAUTIONS IN THIS MANUAL CAREFULLY BEFORE USING THE FIREARM.



ROCK ISLAND ARMORY

USER'S MANUAL XT22 MAGNUM PISTOL

SAFETY, INSTRUCTION AND PARTS MANUAL



As a responsible owner of this firearm, you must read the instructions and warnings in this manual carefully. Before using this firearm, make sure you understand thoroughly the contents of this manual.

This manual must always be in the firearm's carrying case whenever the owner/user brings it or when it transfers ownership. A copy of this manual is available upon request from:

*ARMSCOR PRECISION INTERNATIONAL
150 N Smart Way, Pahrump NV 89060
E-mail: support@armscor.com*

TABLE OF CONTENTS

- 1 Basic Model Description
- 2 Statement of Liability
- 2 State-By-State Warnings
- 4 Safety Precautions
- 5 Recommended Ammunition

HEALTH & SAFETY

- 6 Tech Specs

- 7 Basic Parts

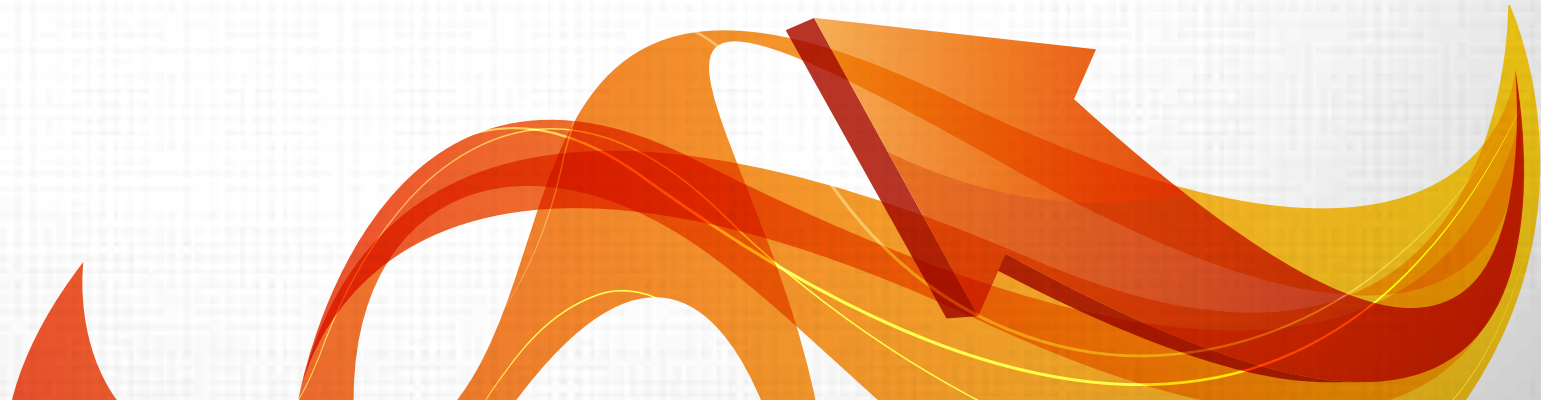
- 9 Exploded views

XT22 TAC MAGNUM.....	9
XT22 MAGNUM.....	10

ABOUT THE FIREARM

- Operating Instructions 11
- Basic Disassembly & Reassembly 12
- Care & Maintenance 14
- Cleaning 14
- Storage and Transportation 15
- Ordering Parts 16
- Warranty 17
- Notes 18

MAINTENANCE



BASIC MODEL DESCRIPTION

The XT22 MAGNUM PISTOL is built on a 1911 platform designed and chambered to handle the smaller and more economical .22MRF cartridge.

This pistol uses a modified frame of the 1911A1 model and incorporates a sliding barrel inside a barrel shroud with integral lug and a modified slide open at the top with a firing pin function suited for a cal .22MRF cartridge. Dovetailed front sight is fixed on the barrel shroud for the standard model while a picatinny rail block is attached for the target model in place of the front sight. Except for the modified barrel, slide and bottom lug cavity on bridge of frame, there is no fundamental difference in the principle of operation with other RIA 1911 pistols.

All parts are made of high ordnance steel, CNC-machined to equally-consistent dimensions to ensure mechanical efficiency, long life and complete parts interchangeability, and heat-treated for strength and durability.

STATEMENT OF LIABILITY

This pistol is classified as a firearm or dangerous weapon. It is expressly understood that we assume no liability for its resale or unsafe handling under local laws and regulations. Armscor assumes no responsibility for physical injury or property damage resulting from either intentional or accidental discharge, or for the function of the firearm subjected to influence beyond their control. Armscor will honor no claims which may result from careless handling, unauthorized adjustments, defective or improper ammunition, corrosion or neglect. Examine your firearm carefully at the time of purchase. It should be forwarded immediately to the factory or its sales agent if any adjustment of any kind is required.

State-By-State Warnings



CALIFORNIA STATE WARNING

CHILDREN ARE ATTRACTED TO AND CAN OPERATE FIREARMS THAT CAN CAUSE SEVERE INJURIES OR DEATH. PREVENT CHILD ACCESS BY ALWAYS KEEPING FIREARMS LOCKED AWAY AND UNLOADED WHEN NOT IN USE. IF YOU KEEP A LOADED FIREARM WHERE A CHILD OBTAINS AND IMPROPERLY USES IT, YOU MAY BE FINED OR SENT TO PRISON. IT IS UNLAWFUL TO USE A MAGAZINE WITH A CAPACITY OVER 10 ROUNDS.



MASSACHUSETTS STATE WARNING

IT IS UNLAWFUL TO CARRY ANY MAGAZINE OR BELT WHICH HOLDS MORE THAN TEN ROUNDS, UNLESS AUTHORITY IS GRANTED BY THE BOSTON POLICE COMMISSIONER. IT IS UNLAWFUL TO STORE OR KEEP A FIREARM, RIFLE, SHOTGUN OR MACHINE GUN IN ANY PLACE UNLESS THAT WEAPON IS EQUIPPED WITH A TAMPER RESISTANT SAFETY DEVICE OR IS STORED OR KEPT IN A SECURELY LOCKED CONTAINER.



NEW YORK STATE WARNING

IT IS UNLAWFUL TO CARRY ANY MAGAZINE OR BELT WHICH HOLDS MORE THAN SEVEN ROUNDS, UNLESS AUTHORITY IS GRANTED BY THE STATE OF NEW YORK. THE USE OF A LOCKING DEVICE OR SAFETY LOCK IS ONLY ONE ASPECT OF RESPONSIBLE FIREARMS STORAGE FOR INCREASED SAFETY, FIREARMS SHOULD BE STORED UNLOADED AND LOCKED IN A LOCATION THAT IS BOTH SEPARATED FROM THEIR AMMUNITION AND INACCESSIBLE TO CHILDREN AND OTHER UNAUTHORIZED PERSONS.

03 | SAFETY PRECAUTIONS

Safety must be the first and constant consideration of every person who handles firearms and ammunition. The person with a firearm in his possession has an important responsibility. He/she must know how to use his/her firearm safely:

1. Always keep the firearm holstered except when drawn for a definite purpose.
2. Always check the firearm for live ammunition when picked up, drawn from the holster, handed to, or received from another person.
3. Never point the firearm at anything you do not intend to shoot.
4. Never cock the hammer of the firearm unless you are ready to immediately shoot it. Do not even insert your finger in the trigger guard until you are ready to shoot.
5. Avoid dry firing even with dummy cartridges, unless the same is performed on a regular target range or at a known inanimate target.
6. When holding the firearm that is ready to fire, be absolutely certain that it is not pointed at any part of your body or at any person within your immediate vicinity.
7. Beware of obstructions in barrel. If, when firing, a weak or peculiar report is heard, cease firing and inspect the barrel for an obstruction. Remove magazine then check to insure there is no obstruction in barrel or chamber.
8. When a misfire or a "dud" is experienced keep the pistol pointed at the target for at least ten seconds before inspecting the firearm; a delayed firing may occur.
9. Remove magazine and pull slide back and engage to slide lock physically and visually confirm chamber is empty.
10. When possible, wear shooting glasses and hearing protectors when firing.
11. Do not shoot at a hard surface, or water for the bullet can glance off and travel in unpredictable directions with considerable velocity.
12. Avoid drinking alcoholic beverages when handling the firearm.

WARNING:

DO NOT ATTEMPT TO USE ANY FIREARM WITHOUT HAVING A COMPLETE UNDERSTANDING OF ITS PARTICULAR CHARACTERISTICS AND SAFE USE.

WARNING:

YOU SHOULD NEVER DEPEND ON A SAFETY MECHANISM OR ANY OTHER MECHANICAL DEVICE TO JUSTIFY CARELESS AND IMPROPER HANDLING.

WARNING:

THIS FIREARM WAS MANUFACTURED TO PERFORM PROPERLY WITH THE ORIGINAL PARTS AS DESIGNED. PLEASE MAKE SURE ANY PARTS YOU BUY ARE INSTALLED CORRECTLY AND THAT NEITHER REPLACEMENTS NOR ORIGINALS ARE ALTERED OR CHANGED. PUTTING A FIREARM TOGETHER INCORRECTLY OR WITH MODIFIED PARTS CAN RESULT IN DAMAGED FIREARM, DANGER, AND INJURY OR DEATH. ANY MODIFICATIONS TO FIREARM WILL VOID FACTORY WARRANTY.

04 | SAFETY PRECAUTIONS

CARRYING A LOADED 1911 PISTOL

Handling, carrying or otherwise transporting a 1911 pistol with an unfired cartridge in the chamber ALWAYS INCREASES THE RISK of an unintended firing of the cartridge, with the resulting potential for personal INJURY and DEATH. If you choose to assume that increased risk, and are not intending to fire the pistol immediately, always engage the manual thumb safety which blocks both the fully cocked hammer and the sear, a condition known as “cocked and locked.” Do not, under any circumstances, carry or otherwise transport a 1911 pistol with an unfired cartridge in the chamber and the hammer set in the half-cock notch or lowered to the full forward position. Both of those hammer positions are so unsafe when carrying a 1911 pistol with a loaded chamber that they must never be used. Even the act of manually lowering the hammer into either of those positions with a loaded chamber is so unsafe that it must never be done.

SAFETY FEATURES



TRIGGER GUARD - this is the metal loop around the trigger intended to deflect unwanted contact with the trigger and thereby help prevent unintended gun firing.



GRIP SAFETY - this safety blocks rearward movement of the trigger in order to prevent the gun firing unless the grip safety is first disengaged by the firm grasp of the shooting hand in normal shooting position, thereby allowing complete rearward trigger movement.



DISCONNECTOR - this device interrupts the activation of the sear by the trigger in order to prevent the sear from releasing the hammer to fire a chambered cartridge until the slide and barrel are locked together and the trigger is released and pulled again.



THUMB SAFETY - this is the manual safety located at the upper rear of the grip frame so the thumb of the shooting hand can be used to easily engage or disengage it, which can only happen when the hammer is fully cocked. When up and engaged, it blocks both the sear and hammer to prevent the gun firing. When engaged, this safety also blocks movement of the slide. The “cocked and locked” carry condition is achieved when the thumb safety is engaged.



HALF-COCK NOTCH - the half-cock notch in the hammer (often misleadingly called a safety notch) is intended to stop the hammer from reaching the firing pin in the unlikely event the full-cock notch fails to hold the hammer back. Should the hammer fall to the half-cock notch, the sear is then captured by the half-cock notch so that the sear can no longer be moved by the trigger until the malfunction is corrected. The half-cock notch IS NOT A SAFETY and must never be used as an alternative to engaging the thumb safety (“cocked and locked”) when carrying the gun fully loaded.



INERTIA FIRING PIN - the firing pin, designed to be shorter than its housing, is held to the rear by a spring and is intended to protrude to hit a cartridge primer only when a sufficient hammer blow overcomes the spring force and the inertia of the firing pin.

05 | RECOMMENDED AMMUNITION



The XT22 MAGNUM PISTOL is chambered for cal .22 MRF rimfire cartridges manufactured in accordance with industry standards. The pistol was tested on Armscor high velocity solid point and hollow-point ammunition with exceptional performance. Non-standard or improperly loaded cartridges affect accuracy and cause mechanical feeding problems. Always check for the following possible defects before loading the ammunition into your pistol:

- (a) Lead deformation on the front & shoulder
- (b) Improper crimping
- (c) Damaged Case rims



CAUTION

NEVER USE CARTRIDGES OF UNKNOWN CALIBER, ORIGIN AND LOAD. IT IS EXTREMELY DANGEROUS TO USE A CARTRIDGE WHOSE PRESSURE IS GREATER THAN INDUSTRY STANDARDS, AS THE FIREARM MAY BE DAMAGED, AND MAY RESULT IN DEATH OR SERIOUS INJURY TO THE SHOOTER OR OTHER PERSON.

06 | TECH SPECS

Model	XT22 MAGNUM
Caliber	22 MRF
Action	Semi-Auto Recoil Operated
Magazine Capacity	15 Rounds
Barrel Length	127mm / 5in
Overall Width	33mm / 1.3in
Overall Length	217mm / 8.5in
Overall Height	140mm / 5.5in
Front Sight	Fixed Dovetail Mounted
Rear Sight	Fixed Dovetail Mounted
Trigger Pull	1.36 – 1.81 kg. (4 - 6lbs.)
Weight, Empty(Approx.)	2.5lbs.
Finish	Parkerized
Stock	Rubber Grip
Rifling Twist	Right hand, 1 turn in 400mm (16")
No. Of Gooves	6

SPECIAL FEATURES
Sliding barrel with integral feed ramp
Fixed and exposed barrel shroud with integral lug
Picainny rail block included for target model only
Open slide with GI serrations, trimmed shoulders and flat-top rear end
Combat hammer with serrated non-slip thumb surface and matching large oval opening for light weight and reduced lock time
Beavertail grip safety which protects the hand from hammer bite and gives a better grip that allows the gun to sit lower in the hand for less felt recoil
Steel MR3 type trigger
Side extractor and cross pin-blocked firing pin
Full length guide rod

07 | BASIC PARTS

XT22 MAGNUM PISTOL BASIC PARTS LIST

PART NAME	MODEL	
	MAGNUM	TAC MAGNUM
	PART NUMBER	
Ramped Barrel	2201M	2201M
Barrel Shroud	2202M	2202MT
Return Plunger Pin	2202MA	2202MA
Return Plunger Pin Spring	20034	20034
Barrel Lug Adjusting Screw	MIG003	MIG003
Slide	2205M	2205MT
Slide Stop	4506	4506
Slide Stop Plunger	4507	4507
Plunger Spring	4508	4508
Firing Pin	2209M	2209M
Firing Pin Spring	2210M	2210M
Firing Pin Cross Pin	2210PM	2212S
Side Extractor	2211M	2211M
Side Extractor Spring	2212SM	2212SM
Side Extractor Pin	2212PM	2212PM
Front Sight	4513A	
Picatinny Rail Block		2213A
Picatinny Rail Block Screw		MI027
Rear Sight	2214HB	
Recoil Spring	2215	2215
Recoil Spring Plug	2216A	2216A
Recoil Spring Guide	2217A	2217A
Frame	2218M	2218M
Plunger Tube	4518PT	4518PT
Magazine Box Assembly	2219MA	2219MA
Magazine Release	4524	4524
Magazine Release Lock	4525	4525
Magazine Release Spring	4526	4526

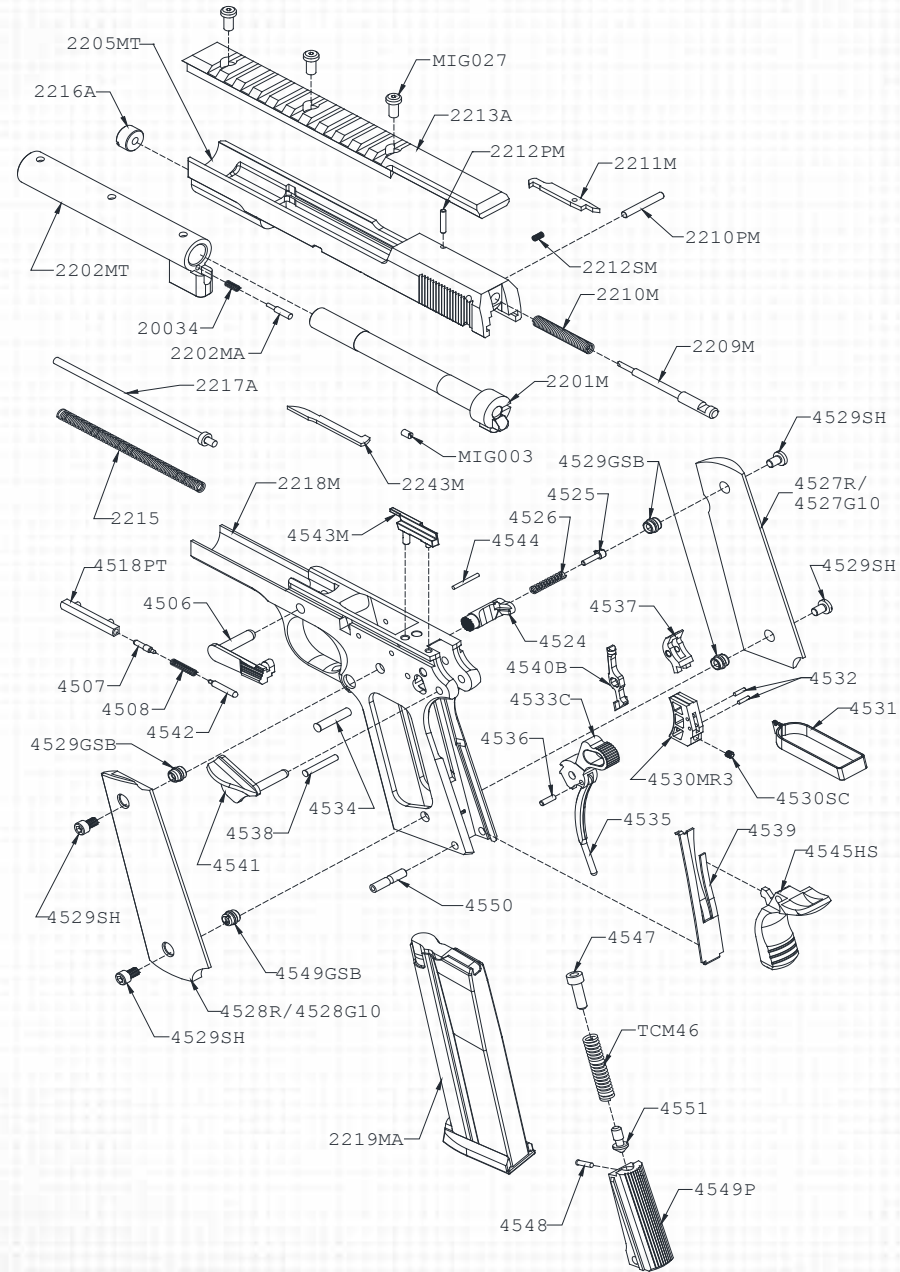
08 | BASIC PARTS

PART NAME	MODEL	
	MAGNUM	TAC MAGNUM
	PART NUMBER	
Grip Panel Right	4527R / 4527G10	4527R / 4527G10
Grip Panel Left	4528R / 4528G10	4528R / 4528G10
Grip Screw	4529SH	4529SH
Grip Screw Bushing	4529GSB	4529GSB
Trigger Shoe	4530MR3	4530MR3
Trigger Adjusting Screw	4530SC	4530SC
Trigger Stirrup	4531	4531
Trigger Stirrup Pin	4532	4532
Combat Hammer	4533C	4533C
Hammer Pin	4534	4534
Hammer Strut	4535	4535
Hammer Strut Pin	4536	4536
Sear	4537	4537
Sear Pin	4538	4538
Sear Spring	4539	4539
Disconnecter	4540B	4540B
Safety Lock /Thumb Safety	4241	4541
Safety Lock Plunger	4542	4542
Ejector	2243M	2243M
Slide Compensator	4543	4543
Slide Compensator Pin	4544	4544
Beavertail Grip Safety, Hi-Sweep	4545HS	4545HS
Main Spring	TCM46	TCM46
Main Spring Cap	4547	4547
Main Spring Cap Pin	4548	4548
Main Spring Housing	4549P	4549P
Main Spring Housing Pin	4550	4550
Main Spring Housing Pin Retainer	4551	4551

Notes:
When ordering parts, it is necessary to specify the model on the caliber aside from the part number.

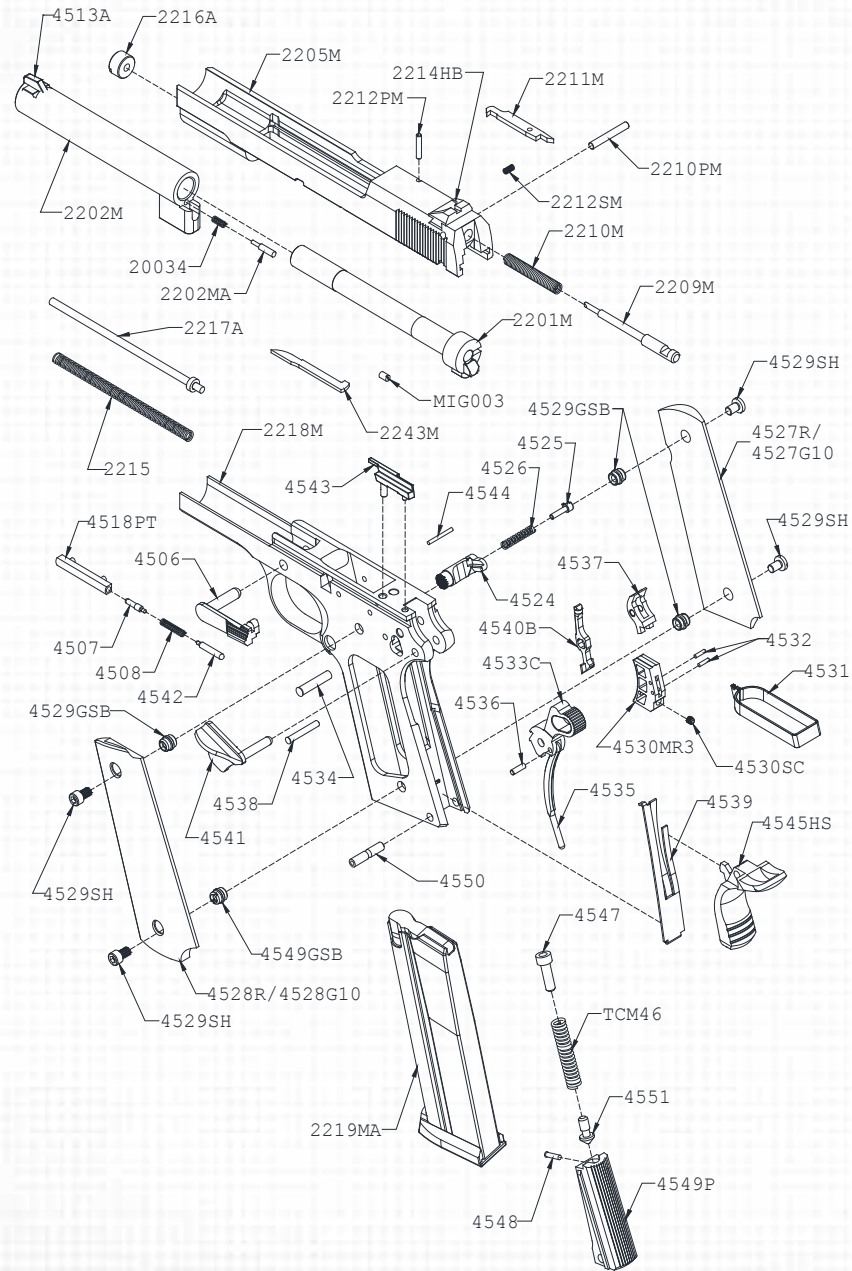
09 | EXPLODED VIEWS

XT22 TAC MAGNUM



10 | EXPLODED VIEWS

XT22 MAGNUM



11 | OPERATING INSTRUCTIONS

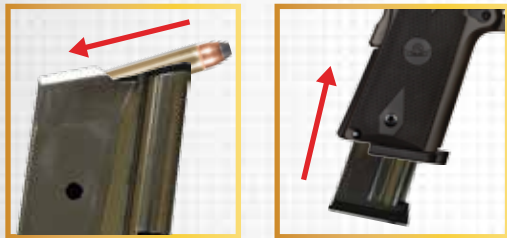
Basic gun safety should always be the main concern when shooting with this new pistol. The XT22 PISTOL is very easy to use, with all the basic features similar to the regular 1911 pistol.

Be sure to familiarize yourself with the pistol before you even enter a range or other shooting area.

Before you go to any range, always remember these golden rules of safety:

1. ALWAYS BE AWARE OF THE MUZZLE AND KEEP IT POINTED DOWN RANGE AT ALL TIMES! OBSERVE THE 180° RULE.
2. NEVER POINT A FIREARM AT ANYTHING YOU DON'T INTEND TO DESTROY!
3. ONLY CHAMBER A LOADED ROUND WHEN YOU ARE PREPARED AND READY TO FIRE!
4. ALWAYS ENGAGE THE THUMB SAFETY UPON LOADING THE PISTOL, AND WHEN THERE IS A LAPSE OF TIME BETWEEN THE SHOTS YOU ARE FIRING!
5. ALWAYS REMAIN CALM AND FOCUSED WHILE AT THE RANGE AND FIRING!

LOADING



To load the magazine, place the first cartridge in the front end of the magazine follower and push it down until it can be slid in under the feed lips of the magazine. Place the second cartridge on top of the first and force it down in the same way as the first one. Repeat this procedure until the magazine contains the number of cartridges you intend to load. (Note: Refer to the specification for the magazine capacity).

To load the pistol, insert the loaded magazine into the grip (handle) and push it up until the magazine release engages in its slot locking in place. Hold the pistol firmly with your firing hand. Grasp the slide at its serrated section with your other hand and pull it to the rear as far as it will go. (Note: The hammer can be cocked first to make the slide easier to pull). Then, release the slide smartly. A cartridge is now loaded in the chamber and the pistol is ready to fire. Engage the safety and leave it there until you are ready to shoot.

FIRING



To fire the pistol, disengage the safety, obtain the correct sight alignment and sight picture and squeeze the trigger. To fire successive shots, the trigger must be released and squeezed repeatedly. When the last cartridge from the magazine has been fired, the slide remains in the forward position. If you intend not to shoot or cease firing, remember you have a loaded gun in your hand. First keep the gun pointed in a safe direction and keep your finger off the trigger. Then, unload the gun by following the unloading procedure below.

IMPORTANT: CLEAN THE BARREL BORE & CHAMBER OF YOUR FIREARM AFTER 200 ROUNDS OR LESS FIRED TO ENSURE PROPER FUNCTION.

UNLOADING



To unload, press the magazine release and remove the magazine. If the slide is in the forward position, pull it to the rear and retain by pushing the slide stop up. Inspect the chamber to make sure that the pistol is clear and unloaded. If there is a shell or unfired cartridge in the chamber, manually remove it before pressing the slide stop down. Your gun is now unloaded.

12 | BASIC DISASSEMBLY & REASSEMBLY

A. BARREL AND SLIDE ASSEMBLY

1. Press the magazine release and withdraw the magazine. Pull the slide backwards and check the chamber to ensure that the pistol is unloaded and safe.
2. Pull the slide backwards until the shallow notch on its left aligns with the top rear of the slide stop. Remove the slide stop by pressing its pivot stud on the right side of the frame and pull out the slide stop on the left side of the frame.
3. Pull the slide directly forward of its guide rails in the frame. The barrel, recoil spring, recoil spring guide and recoil spring plug will come out with it.
4. With the slide clear off the frame, pinch the recoil spring stopper and pull back to disengage the recoil spring guide from the barrel lug cavity.
5. Detach the barrel including the barrel shroud by lifting it from the open slide top while the spring and guide rod are disengaged from the barrel shroud lug cavity.
6. Take out the recoil spring along with the recoil spring guide rearward of the spring tunnel.
7. Remove the firing pin by punching out the firing pin cross pin to clear the firing pin hole and pull the firing pin & spring out at the rear of the slide.

B. FRAME ASSEMBLY

1. Remove the pair of grip panels by unscrewing the grip screws with a screw driver of the correct size.
2. Cock the hammer. Hold the thumb piece of the thumb safety firmly with your thumb and index finger and exert a steady pressure to pull it outward while twisting it back and forth. The thumb safety will thus come out of the frame.
3. Lower the hammer by gripping the frame as if for shooting, to compress the grip safety and press the trigger, while holding on to the hammer to ease it down.
4. With the pivot stud of the thumb safety, force the hammer pin out of the frame. This will permit the hammer and the hammer strut attached to it to be lifted out.
5. With the end of the hammer strut or a suitable punch, push the main spring housing pin out of the right side of the frame.
6. Withdraw the main spring housing assembly straight down out of its grooves in the frame.
7. Remove the grip safety and the three-leafed sear spring rearward from the frame.
8. Again, using the hammer strut, push the sear pin from right to left removing it out of the frame. This will permit the sear and the disconnecter, which are both mounted on this pin, to be withdrawn out of the frame.
9. Partly push the magazine release in on the left side of the frame by as much as .075 in., and rotate the magazine release lock a quarter turn from right to left with a small screw driver. This enables the magazine release assembly to be removed out of the frame as a unit.
10. Remove the trigger assembly out of its recess cuts in the frame.
11. Push the combination slide and safety lock plungers and the spring between them out to the rear of the plunger tube.
12. To dismantle the main spring housing assembly, force the main spring cap down with a punch and push the main spring cap pin out of its hole in the main spring housing. This will permit the main spring cap, the main spring housing pin retainer to be withdrawn from the housing.

13 | BASIC DISASSEMBLY & REASSEMBLY

REASSEMBLY

While reassembly of the dismantled pistol is done in the reverse order of disassembly, the following special instructions will be of assistance:

1. When the barrel and slide assembly is to be mounted on the frame, hold both the slide and the frame with both rails of each part aligned, then slide the frame forward into the slide rails.
2. The disconnecter and sear are assembled together and it is important that they be in proper position. To do this, first mount the sear over the disconnecter (curved section inward, lugs pointing downward). Put the parts together into the frame by inserting the rounded head of the disconnecter in its hole in the frame so that the flat face of its lower end rests against the trigger stirrup. Slightly press the trigger so that the holes of the two parts will line up with that of the frame. Holding them this way, insert the sear pin from the left side of the frame making sure that it passes through both the disconnecter and the sear.
3. In replacing the sear spring, make sure that its lower end is caught in the slot located at the bottom rear of the frame handle. The upper end of the left-hand leaf must rest against the sear. While retaining in this position, slide the main spring housing up in its grooves until its end is projecting only about one-eighth of an inch below the edge of the bottom of the frame.
4. Cock the hammer to replace the thumb safety.
5. Having replaced the hammer, the grip safety and the thumb safety, cock the hammer. Make sure that the hammer strut rests on the main spring cap. Then, push the main spring housing up into the frame to its final position and retain the assembly by driving in the main spring housing pin.

14 | MAINTENANCE

CARE AND MAINTENANCE

With proper care, your XT22 MAGNUM PISTOL will provide you with years of dependable service. It should be inspected, cleaned and oiled periodically to ensure that it remains in good condition and functions safely and reliably. Doing the job requires no total disassembly of the mechanical parts in the frame assembly.

Under normal cleaning purposes, field stripping or dismounting of the slide and barrel assembly is sufficient.

To clean the pistol after firing, first dismount the slide and barrel assembly. Scrub the barrel bore and chamber with a bore brush dipped in a gun cleaning solvent to remove lead residue and foreign matter left inside.

Using an old toothbrush dipped in solvent, clean the areas around the slide's breech face to remove powder and primer residue. Other parts and areas to be cleaned are the frame and slide rails, firing pin, extractor claw and other adjacent areas. After cleaning, wipe all surfaces with a clean dry cloth to remove all traces of the solvent and apply a light film of oil immediately thereafter.

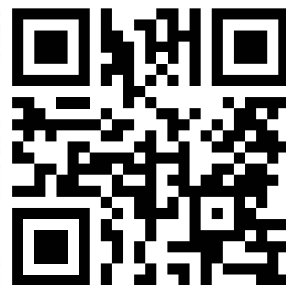
To clean the pistol thoroughly, disassemble all parts to the extent described above, taking care not to ruin or lose any part. Clean and inspect all parts, then dry and lubricate very lightly. Reassemble the pistol, dry the barrel chamber and bore, and check the gun for proper function before loading live ammunition.

When storing the gun for a prolonged period of time, it is necessary to oil it heavily with an acid-free lubricant. The external parts must be coated with an anti-rust oil or grease to prevent moisture from settling on the metal and seeping into the internal mechanism causing the parts to rust and malfunction. Before usage, the pistol must be cleaned and wiped dry again as discussed above.



CAUTION

THE GUN SHOULD BE STORED IN ROOMS WITH DRY ATMOSPHERE AND WITH THE LEAST HUMIDITY. IT SHOULD NOT BE STORED ENCASED IN LEATHER OR ANYTHING THAT WILL ATTRACT AND HOLD MOISTURE CAUSING THE METAL PARTS TO RUST.



SCAN QR

SEE FULL VIDEO TUTORIALS ON OUR
WEBSITE

USE AND CARE GUIDE

Thank you for the purchase of your New Rock Island XTM pistol. We have put together a few tips to make owning and operating your New pistol much easier.

- Read your Owner's manual thoroughly before operation.
- Clean and inspect the pistol before firing.
- Allow 500rds for break-in before contacting customer service.
- We recommend using Nickel Plated 22 magnum ammunition for best results.
- Clean the barrel chamber every 150rds with a New Brass Brush to remove fouling, as this will insure reliable feeding and extraction.
- This pistol WILL NOT lock open on the last round fired, so please make note.
- Avoid getting oil or lubricant on the breech face and extractor!

Call Customer Service before sending your pistol in for warranty, as we may have an easy fix for you over the phone.
Thanks again for being a Rock Island Customer!

ORDERING PARTS

Visit RIA website to browse, learn more about and purchase parts and ammunition for all of your Rock Island Armory products.

 www.advancedtactical.com

 ARMSCORPRECISION

 ARMSCORPRECISION

 ARMSCOR_RIA

 ARMSCORRIA

 US.ARMSCOR.COM

WARRANTY REGISTRATION

Armcor's warranty covers its firearms and parts. We offer limited lifetime warranty on our products for their intended purpose. As with any product, abuse, gunsmithing by an unqualified person and normal wear and tear are excluded. Additionally, if the firearm was modified and/or repaired by an unqualified gunsmith without permission from Armcor, then the warranty will be void. If warranty work should be required, return the firearm to the address listed below. There is no refund for the shipping cost. Gunsmithing services are available by registered Armcor Gunsmithers. Please email the address below.

To register your firearm, please go to www.rockislandarmory.com/support-center/warranty/ and complete online warranty form. In comments section, write warranty registration and press submit. You can also go to www.rockislandarmory.com and press warranty section at the bottom.

For more information on warranty, visit www.rockislandarmory.com, or email support@armcor.com

Armcor Precision International
150 North Smart Way
Pahrump, NV 89060
Email: support@armcor.com

IMPORTANT WARRANTY INFORMATION

Our Rock Island Armory 1911 Pistols are warranted to function only with Factory Premium High Velocity Brass Cased Ammo and the Original Factory Magazine. Use of Handloads is not covered in Warranty of Repair for the function of the Firearm.

DUE TO THE FIT AND TIGHTNESS OF FIREARM, RIA RECOMMENDS A BREAK-IN PERIOD OF 500 ROUNDS.

THIS IS HOW YOU VOID YOUR WARRANTY

- * Refinishing your RIA firearm
- * Misuse, Mishandling, Dropping your RIA Firearm
- * Firing Remanufactured or Reloaded Ammunition
- * Not properly reassembling your RIA Firearm resulting in damage, ie reverse plugs!
- * Any addition of after market parts
- * Unauthorized repairs done by any other than Rock Island Armory

LIMITS ON WARRANTY (will not cover)

- * Finish, Holster wear, Scratches, Chemical damage
- * After Market Magazines
- * Damage to Factory Magazines
- * Sights not installed by Rock Island Armory
- * Recoil Springs

WE RESERVE THE RIGHT TO CHARGE FOR LABOR, PARTS AND SHIPPING TO RETURN YOUR RIA FIREARM BACK TO FACTORY SPECIFICATIONS IF IT HAS BEEN ALTERED.

NOTES

NOTES

NOTES



WWW.ROCKISLANDARMORY.COM

