

EXCLUSIVES | PA 3-IN-1 CHROME SHOTGUN

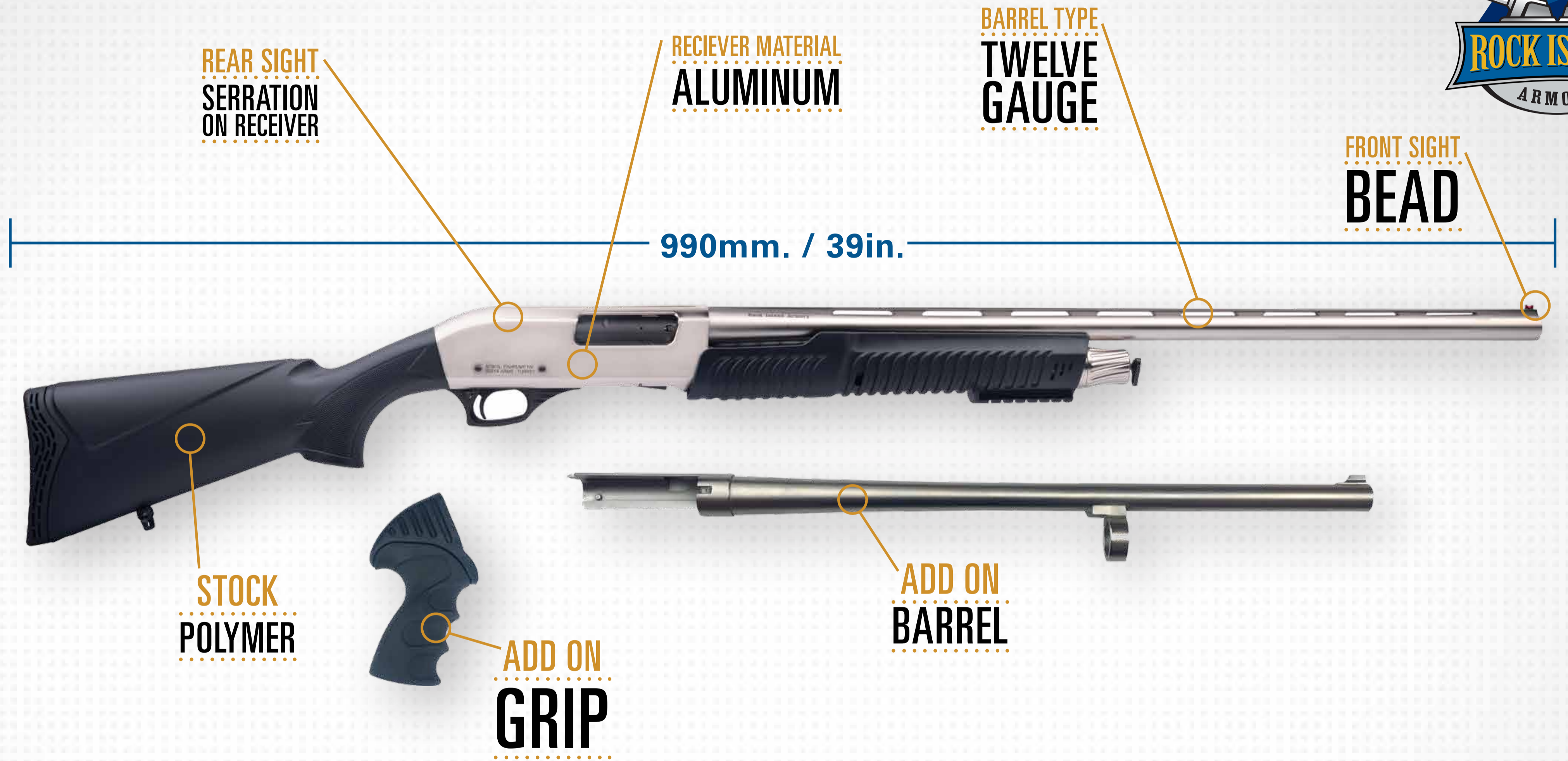


PA 3-IN-1 CHROME SHOTGUN	
Caliber(s) Supported.....	12 Gauge
Action.....	Pump Action
Capacity.....	4 + 1 Rounds
Weight Unloaded.....	2.8kg. / 6.17lbs.
Overall Length.....	990mm / 39in
Barrel Type.....	Contoured
Barrel Length.....	470mm / 18.5in
Front Sight.....	Bead
Rear Sight.....	Serration On Receiver
Receiver.....	Marine Chrome
Stock.....	Polymer
Choke.....	Slug, Full, Modified and Improved Cylinder

CALIBER

ARMSCOR
USA

12 Gauge



The Three-in-one shotgun comes ready to tackle any self defense, tactical or sports shooting need. Built with **18.5" cylinder bore smooth barrel** and **18.5" vent rib barrel** with a **4 + 1 capacity**. Add a synthetic **rear removable stock** and optional pistol grip to form a shotgun package that can provide in the field or defend in the perimeter.