

PUMP SHOTGUN 3 IN 1 COMBO

USER'S MANUAL



WARNING: READ THE INSTRUCTIONS AND SAFETY PRECAUTIONS IN THIS MANUAL CAREFULLY BEFORE USING THE FIREARM.



ROCK ISLAND ARMORY

USER'S MANUAL PUMP SHOTGUN 3 IN 1 COMBO

SAFETY, INSTRUCTION AND PARTS MANUAL



As a responsible owner of this firearm, you must read the instructions and warnings in this manual carefully. Before using this firearm, make sure you understand thoroughly the contents of this manual.

This manual must always be in the firearm's carrying case whenever the owner/user brings it or when it transfers ownership. A copy of this manual is available upon request from:

*ARMSCOR PRECISION INTERNATIONAL
150 N Smart Way, Pahrump NV 89060
E-mail: support@armscor.com*

TABLE OF CONTENTS

1	Statement of Liability
1	State-By-State Warnings
2	Safety Precautions
	<i>Safety Measures</i>3
	<i>External Control Parts</i>4
	<i>3 Things To Remember About Safeties</i>4
	<i>Action Release Control</i>4

HEALTH & SAFETY

5	Tech Specs
6	Basic Parts
7	Exploded Views

ABOUT THE FIREARM

Operating Instructions	7
<i>Assembly Instructions</i>	8
<i>Migratory Magazine Plug</i>	8
<i>Loading the Shotgun</i>	9
<i>Firing the Shotgun</i>	9
<i>Use of the Chokes</i>	10
<i>Unloading the Shotgun</i>	11
<i>Image Reference</i>	12

Care, Cleaning and Lubrication	13
Storage and Transportation	14
Ordering Parts	15
Warranty	16
Notes	17

MAINTENANCE



STATEMENT OF LIABILITY

This shotgun is classified as a firearm or dangerous weapon. It is expressly understood that we assume no liability for its resale or unsafe handling under local laws and regulations. Armscor assumes no responsibility for physical injury or property damage resulting from either intentional or accidental discharge, or for the function of the firearm subjected to influence beyond their control. Armscor will honor no claims which may result from careless handling, unauthorized adjustments, defective or improper ammunition, corrosion or neglect. Examine your firearm carefully at the time of purchase. It should be forwarded immediately to the factory or its sales agent if any adjustment of any kind of required.

State-By-State Warnings



CALIFORNIA STATE WARNING

CHILDREN ARE ATTRACTED TO AND CAN OPERATE FIREARMS THAT CAN CAUSE SEVERE INJURIES OR DEATH. PREVENT CHILD ACCESS BY ALWAYS KEEPING FIREARMS LOCKED AWAY AND UNLOADED WHEN NOT IN USE. IF YOU KEEP A LOADED FIREARM WHERE A CHILD OBTAINS AND IMPROPERLY USES IT, YOU MAY BE FINED OR SENT TO PRISON. IT IS UNLAWFUL TO USE A MAGAZINE WITH A CAPACITY OVER 10 ROUNDS.



MASSACHUSETTS STATE WARNING

IT IS UNLAWFUL TO CARRY ANY MAGAZINE OR BELT WHICH HOLDS MORE THAN TEN ROUNDS, UNLESS AUTHORITY IS GRANTED BY THE BOSTON POLICE COMMISSIONER. IT IS UNLAWFUL TO STORE OR KEEP A FIREARM, RIFLE, SHOTGUN OR MACHINE GUN IN ANY PLACE UNLESS THAT WEAPON IS EQUIPPED WITH A TAMPER RESISTANT SAFETY DEVICE OR IS STORED OR KEPT IN A SECURELY LOCKED CONTAINER.



NEW YORK STATE WARNING

IT IS UNLAWFUL TO CARRY ANY MAGAZINE OR BELT WHICH HOLDS MORE THAN SEVEN ROUNDS, UNLESS AUTHORITY IS GRANTED BY THE STATE OF NEW YORK. THE USE OF A LOCKING DEVICE OR SAFETY LOCK IS ONLY ONE ASPECT OF RESPONSIBLE FIREARMS STORAGE FOR INCREASED SAFETY, FIREARMS SHOULD BE STORED UNLOADED AND LOCKED IN A LOCATION THAT IS BOTH SEPARATED FROM THEIR AMMUNITION AND INACCESSIBLE TO CHILDREN AND OTHER UNAUTHORIZED PERSONS.

02 | SAFETY PRECAUTIONS

Safety must be the first and constant consideration of every person who handles firearms and ammunition. The person with a firearm in his possession has an important responsibility. He/she must know how to use his/her firearm safely:

1. Always keep the muzzle pointed at a safe direction. Watch the muzzle at all time: never point a gun, accidentally or intentionally, at any person or anything you do not intend to shoot. Identify the target before shooting; do not shoot at sounds.
2. Always treat a gun as if it is loaded – it may be!
3. Keep your finger off the trigger while operating the action and at all other times until you are ready to shoot.
4. Keep the safety “on” or in the “safe” position at all times until you are ready to fire. Do not rely on your gun’s safety, the safety on any gun is a mechanical device and is not intended as a substitute for common sense or safe gun handling.
5. Learn how your gun functions and handles. If you do not thoroughly understand the proper use and care of your gun, seek the advice of someone who is knowledgeable.
6. Do not alter or modify any part of the firearm.
7. Store guns unloaded, separate from any ammunition, and out of the reach of children.
8. Be sure the barrels is clear of any obstructions before loading. Make it a habit to check the barrel every time before loading.
9. Be sure you have and use the proper ammunition. A 20 gauge shell will enter a 12 gauge chamber far enough so that a 12 gauge shell can be loaded behind it. Also, a 3 inch shell may fit into a 2 $\frac{3}{4}$ inch chamber, but the crimp at the mouth of the shell will unfold into the forcing cone. If either of these things occur and you fire the gun, the gun will explode, damaging the gun and possibly causing serious injury or death to you and those around you.
10. Wear protective shooting glasses and adequate ear protection when shooting.
11. Never climb or jump over anything, such as a tree, fence, or ditch, with a loaded gun. Open the barrel, remove the shells and hand the gun to someone else or place it on the ground on the other side of the obstacle before crossing it yourself. Do not lean a gun against a tree or other object; it could fall and possibly discharge.
12. Do not shoot at a hard surface or at water. Bullet shot can ricochet or bounce off and travel in unpredictable directions with great velocity.
13. Never transport a loaded gun. Do not place a loaded gun into a vehicle. The gun should be unloaded and placed into a case when not in use.
14. Never drink alcoholic beverages before or during shooting.

WARNING:

DO NOT ATTEMPT TO USE ANY FIREARM WITHOUT HAVING A COMPLETE UNDERSTANDING OF ITS PARTICULAR CHARACTERISTICS AND SAFE USE.

WARNING:

YOU SHOULD NEVER DEPEND ON A SAFETY MECHANISM OR ANY OTHER MECHANICAL DEVICE TO JUSTIFY CARELESS AND IMPROPER HANDLING.

WARNING:

THIS FIREARM WAS MANUFACTURED TO PERFORM PROPERLY WITH THE ORIGINAL PARTS AS DESIGNED. PLEASE MAKE SURE ANY PARTS YOU BUY ARE INSTALLED CORRECTLY AND THAT NEITHER REPLACEMENTS NOR ORIGINALS ARE ALTERED OR CHANGED. PUTTING A FIREARM TOGETHER INCORRECTLY OR WITH MODIFIED PARTS CAN RESULT IN DAMAGED FIREARM, DANGER, AND INJURY OR DEATH. ANY MODIFICATIONS TO FIREARM WILL VOID FACTORY WARRANTY.

03 | SAFETY PRECAUTIONS

SAFETY MEASURES

1. Keep your fingers away from the muzzle. Never pull a shotgun toward you by the muzzle.
2. Always point the shotgun at a safe direction even though it may be unloaded. Do not point the shotgun at anything you do not intend to shoot. Avoid all horseplay while handling a shotgun.
3. When handling your shotgun, never allow fingers or any object to touch the trigger until you are ready to shoot.
4. Keep the safety "ON" unless you are actually ready to fire. Treat every shotgun with respect and caution.
5. Be sure the barrel is clear of obstructions, including dirt, snow or water.
6. Always treat every shotgun as if it were loaded.
7. Keep the shotguns unloaded when not in use and never load your shotgun if you do not intend to shoot it.
8. Always aim at a safe target, taking care that it does not conceal any other object. Be sure of your target before you pull the trigger. Never shoot at sounds, at a flat surface or water. Do not fire at a target, which allows ricochets or deflections.
9. Store shotguns and ammunition separately, beyond the reach of children, better if under lock key. Shotguns should always be unloaded when stored.
10. When transporting the shotgun keep the shotgun safety "ON" and unloaded. Never climb a tree or fence, or jump a ditch with a loaded shotgun.
11. Never rely on anyone's words that the safety is "ON" or unloaded. Always check to see if the safety is "ON" and unloaded when getting it from another person or storage.
12. Avoid alcoholic beverages or drugs before or during shooting.
13. Always use eye and hearing protection and make sure bystanders are similarly protected.
14. Although the actual shotgun does not contain any lead, it fires ammunition containing lead or lead compounds, which are known to be dangerous for health. Anyone who shoots the shotgun stands near the shotgun shooter, or cleans the shotgun should take protective health measures. Avoid exposure to lead while handling and wash your hands after contact. Proper air ventilation is absolutely necessary when shooting indoors.
15. Any damage, malfunction, injury or death resulting from the use of faulty, non-standard, remanufactured, hand loaded or reloaded ammunition is the responsibility of the user. The user is solely responsible for the damage, injuries or death resulting from carelessness or misuse of the shotgun.

04 | SAFETY PRECAUTIONS

EXTERNAL CONTROL PARTS

Cross Button Safety:

Located behind the trigger on the trigger housing. When the red ring around it is visible, it means that the cross button safety is disengaged "OFF" and shotgun is ready to fire. **(1A)**

To engage the cross button safety, push it until the red ring disappears and it moves no longer to the safety position

Not the safety is "ON," trigger cannot be pulled and the shotgun cannot be fire. **(1B)**

WARNING:

1. ALWAYS KEEP THE CROSS BUTTON SAFETY ON (HEREINAFTER WILL BE REFERRED TO AS ONLY "SAFETY ON") UNTIL YOU ARE ACTUALLY READY TO FIRE AND THE MUZZLE IS POINTING AT THE TARGET.

2. MAKE SURE THAT YOU UNDERSTAND HOW ALL CONTROLS WORK BEFORE YOU ATTEMPT TO LOAD THE SHOTGUN.

3. KEEP THE MUZZLE POINTED IN A SAFE DIRECTION AND YOUR FINGER OFF THE TRIGGER WHEN OPERATING THE SAFET. MALFUNCTIONS WHICH MAY CAUSE A SHOTGUN TO FIRE IS ENGAGED OR DISENGAGED ARE RARE BUT CAN HAPPEN. EVEN IF AN ACCIDENTAL FIRING SHOULD OCCUR, NOBODY WILL BE HURT IF YOU FOLLOW THIS RULE.

THREE THINGS TO REMEMBER ABOUT SAFETIES

1. NEVER TOTALLY DEPEND ON A MECHANICAL SAFETY. It is not a substitute for proper shotgun handling. Like all mechanical devices the safety is subject to breakage or malfunction and can be defeated by wear, abuse, dirt, corrosion, incorrect assembly of the shotgun, improper adjustment or repair, or lack of maintenance.

2. NO MECHANICAL SAFETY IS "CHILDPROOF" OR "FOOLPROOF". No safety ever invented can be relied upon to prevent an accidental shooting by a determined child or a grownup idiot "playing" with a shotgun.

3. THREAT EVERY SHOTGUN AS IF YOU EXPECT ITS MECHANICAL SAFETY NOT TO WORK. You will be astounded at how cautious you become, and how little tolerance you will have for the complacency of others.

ACTION RELEASE CONTROL

The action lock lever is located on the right side of the trigger housing just rearward of the trigger guard. The action lock lever allows the action to be unlocked and opened for inspection or unloading without pulling the trigger. The action may be opened by depressing the lever and pulling the forearm rearward.

(2)

NOTE: During firing, the action unlocks automatically after the hammer falls and the action can be cycled without depressing the action lever.



Carrier:

Located on the underside of the receiver, in front of the trigger guard. Carrier is pushed into the receiver for loading the shotgun.



Trigger:

Located in the trigger guard. when the shotgun is loaded



Magazine Cap:

Located in front of the forearm and under the barrel. It is screwed (clockwise) over the magazine tube to keep the forearm and barrel properly in place.

05 | TECH SPECS

Model	Pump Shotgun Combo
Caliber	12 Gauge
Chamber	2.75in / 3in
Capacity	4 + 1 Rounds
Barrel Length	457mm / 18in
Safety	Manual
Receiver	Black Chrome
Stock	Plastic
Forend	Plastic
Barrel	Processed from black material
Barrel Chrome	Interior is white chromed, exterior is black chromed
Receiver Material	7075 Aluminum Alloy
Choke	Full, Modified and Improved cylinder
Weight	3.1 - 3.2kg
Extra Barrel	711mm / 28i



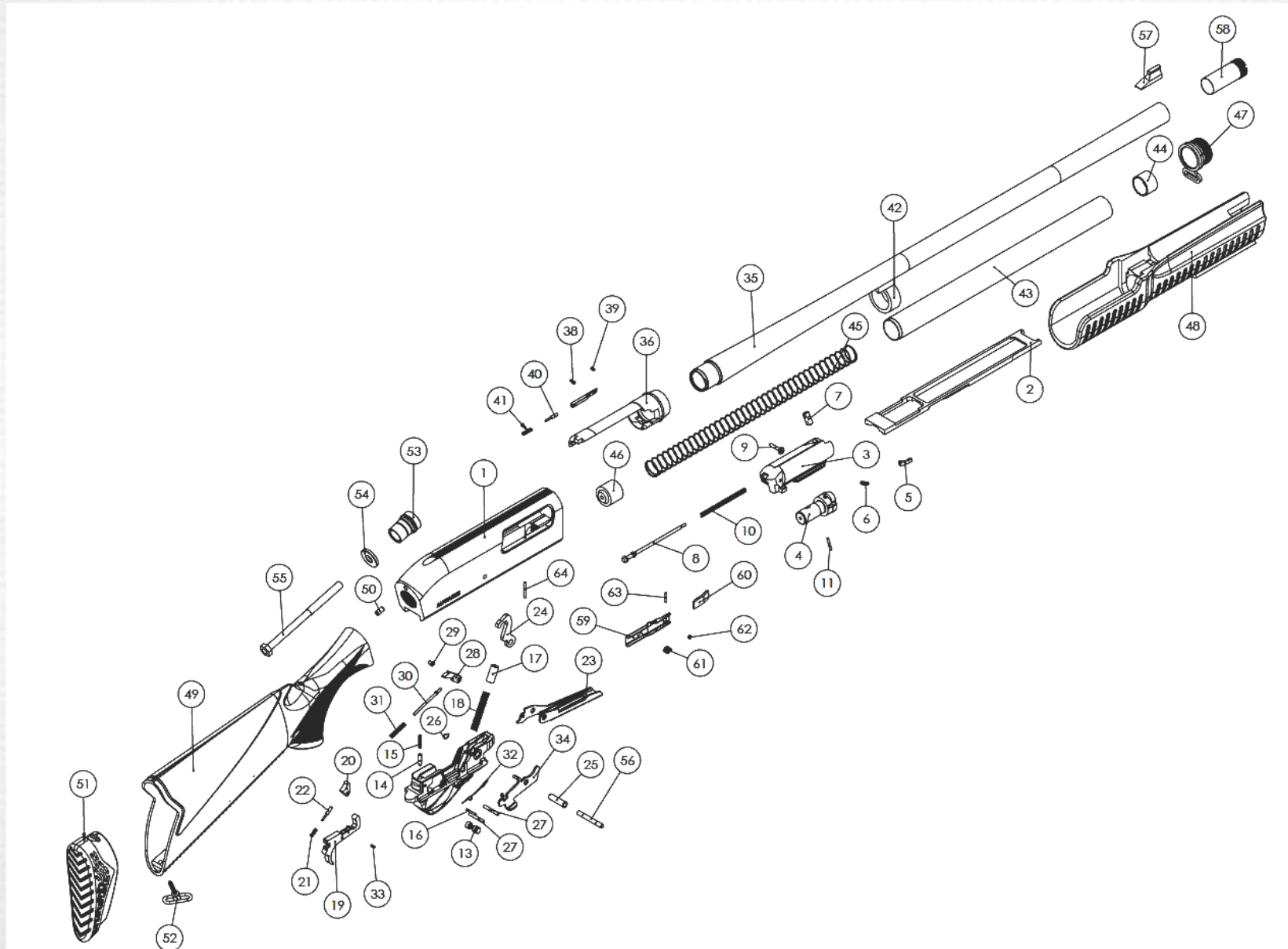
06 | BASIC PARTS

PUMP SHOTGUN 3 IN 1 COMBO BASIC PARTS

PART NAME	PART NUMBER	PART NAME	PART NUMBER	PART NAME	PART NUMBER
Receiver	1	Disconnecter Detent	22	Magazine Tube	43
Bolt Fork	2	Carrier	23	Magazine Tube Cap	44
Bolt	3	Sear	24	Magazine Spring	45
Bolt Cap	4	Sear Pin	25	Follower	46
Extractor	5	D Ring Spring	26	Forend Nut	47
Extractor Pin	6	Trigger Pin	27	Forearm	48
Rotative Tap Pin	7	Carrier Latch	28	Stock	49
Firing Pin	8	Carrier Latch Pin	29	Stock Pin	50
Firing Pin Fixing Ping	9	Carrier Latch Detent	30	Stock	51
Firing Pin Spring	10	Carrier Latch Spring	31	Stock Swivel	52
Extractor and Safety Detent Pin	11	Cartridge Catch Spring	32	Frame Link	53
Trigger guard	12	Disconnecter Pin	33	Washer	54
Safety	13	Cartridge Catch	34	M8 Stab	55
Safety Detent	14	Barrel	35	Trigger Guard Pin	56
Safety Detent Pin	15	Barrel Cap	36	Front Sight	57
Extractor and Safety Detent Pin	16	Ejector	37	Choke	58
Hammer Pin Link	17	Ejector Stop Pin	38	Cartridge Stop Latch PA	59
Hammer Spring	18	Ejector Stop Pin 1	39	Cartridge Stop Latch	60
Trigger	19	Disconnecter - Ejector Detent	40	Cartridge Stop Spring	61
Disconnecter	20	Ejector Spring	41	Cartridge Stop Latch 1 Spring	62
Trigger Spring	21	Barrel Swivel	42	Extractor and Safety Detent Pin	63
				Cartridge Stop Latch Pin	64

07 | EXPLODED VIEWS

PUMP SHOTGUN 3 IN 1 COMBO



08 | OPERATING INSTRUCTIONS

ASSEMBLY INSTRUCTIONS

Your new pump action shotgun is packed dismantled in its box, i.e. barrel is separated from the stock-receiver-forearm assembly. To attach the barrel, first remove all parts from the plastic bags. Before proceeding with the assembly of the shotgun, carefully check the "Nomenclature" and read "Safety Measures" section.

WARNING:

BEFORE ASSEMBLING THE SHOTGUN, CHECK THE BARREL. BORE AND CARTRIDGE CHAMBER MUST BE CLEAN AND THERE SHOULD NO OBSTRUCTIONS IN THEM.

Assemble the shotgun as follows:

- Unscrew the magazine cap (counter-clockwise) and remove it from the magazine tube. **(3)**
- Insert the barrel extension into the receiver. While doing this, be sure the barrel seats between the bolt and the receiver and barrel port ring is aligned with the magazine tube. Continue to slide the barrel into the receiver until the barrel seats completely inside the receiver. **(4)**
- Screw the magazine cap (clockwise) so that the forearm and barrel are held properly in place. The shotgun is now assembled and ready to use.

MIGRATORY MAGAZINE PLUG

Migratory magazine plug when assembled decreases the capacity of the shotgun to 2+1 for safety reasons or for the regulations varying from country to country. PS. Migratory magazine plug is optional. Consult your dealer about your country's laws regarding use of this

It is recommended to have you migratory magazine plug assembled by a qualified gunsmith.

Assemble the migratory magazine plug as follows:

- Unscrew the magazine cap.
- Insert the polymer rod, making sure the head is centered in the end of the magazine tube.
- Replace the magazine cap. To remove the plug, reverse the procedure above.

WARNING:

IF

- 1. BOLT DOES NOT SLIDE FORWARD.*
- 2. THERE IS A GAP BETWEEN FOREND AND RECEIVER.*
- 3. BARREL PROTRUDES FROM THE RECEIVER, THAT MEANS YOU HAVE NOT ASSEMBLED THE SHOTGUN PROPERLY. IN SUCH A CASE, IMMEDIATELY REVERSE ASSEMBLY PROCEDURES AND RE-ASSEMBLE YOUR SHOTGUN MAKING SURE THAT THE BARREL IS COMPLETELY INSERTED INTO THE RECEIVER, FOREND IS COMPLETELY IN PLACE AND THERE ARE NO GAPS. IF YOU STILL CANNOT ASSEMBLY THE SHOTGUN PROPERLY TAKE IT TO A QUALIFIED GUNSMITH FOR HELP.*

***AFTER YOU ASSEMBLED YOUR SHOTGUN OR IF YOU ARE TAKING IT TO A GUNSMITH FOR HELP, MAKE SURE THAT YOU KEEP THE SAFETY "ON".*

NOTE:

To disassemble the shotgun, reverse the above assembly procedure. To disassemble the bolt; slide the bolt and the action bar forward and remove them from the magazine tube-receiver assembly after the barrel is removed. While doing this, be careful since the bolt may fall from the action bar. Therefore keep the bolt up during this operation. Then the bolt can be easily removed from the action bar with you hand.

09 | OPERATING INSTRUCTIONS

LOADING THE SHOTGUN

WARNING:

- ALWAYS KEEP YOUR FINGERS AWAY FROM THE TRIGGER IF YOU DO NOT INTEND TO FIRE.
- ALWAYS CHECK CARTRIDGE CHAMBER, MAGAZINE TUBE AND RECEIVER TO SEE THAT THE SHOTGUN IS NOT ALREADY LOADED. AFTER YOU LOAD THE SHOTGUN, ALWAYS POINT THE BARREL IN A SAFE DIRECTION BEFORE YOU AIM AT YOUR SAFE INTENDED TARGET.
- ALWAYS USE THE CORRECT AMMO FOR WHICH YOUR SHOTGUN IS CHAMBERED.
- ALWAYS KEEP THE SAFETY "ON" WHILE LOADING YOUR SHOTGUN.

Load the shotgun as follows:

- Put the safety "ON" if it is disengaged. **(1B)**
- Pull the forearm fully backwards and insert the first round through the ejection port into the cartridge chamber. **(5)**
- Turn the shotgun upside down so that the trigger is facing you. By depressing the carrier, into the magazine tube until the last cartridge engages the stop tooth. **(6)**

WARNING:

SHOTGUN IS NOT LOADED AND READY TO BE FIRED. TO FIRE, AIM AT YOUR INTENDED SAFE TARGET, DISENGAGE SAFETY AND PULL THE TRIGGER. (FIRST SEE FIRING SECTION) AFTER FIRING CARTRIDGE, THE FOREARM SHOULD BE PULLED FULLY BACKWARDS TO FEED THE NEXT ROUND FROM THE MAGAZINE TUBE TO THE CARTRIDGE CHAMBER. WHEN THE LAST ROUND IS FIRED NO CARTRIDGE WILL BE FED FROM THE MAGAZINE TUBE, BUT NEVER RELY ON THIS AND CHECK THE CARTRIDGE CHAMBER AND MAGAZINE TUBE TO ASSURE THAT THEY ARE EMPTY.

FIRING THE SHOTGUN

WARNING:

- WHEN PUMPING AND FIRING, KEEP YOUR FINGERS AND OTHER OBJECTS AWAY FROM THE PATH OF THE BOLT SINCE IT MOVES BACK AND FORWARD WITH CONSIDERABLE FORCE AND VELOCITY.
- KEEP THE SAFETY "ON" UNTIL YOU ARE ACTUALLY READY TO FIRE AND AIMED AT YOUR SAFE INTENDED TARGET.
- YOU NEED TO PUMP THE SHOTGUN EACH TIME YOU FIRE TO FEED THE NEXT ROUND FROM THE MAGAZINE TUBE TO THE CARTRIDGE CHAMBER.

Fire with your shotgun as follow:

- engage safety and load you shotgun. (See loading section)
- Pump the shotgun by pulling the forearm fully backwards.
- Wear eye and ear protection, and aim at your safe intended target.
- Disengage safety and get ready for shooting.
- Press the trigger and the shotgun will fire.
- To fire the next round, pump the shotgun by pulling the forearm fully backwards, than push forward so the next round is fed to the cartridge chamber.

It is not uncommon while loading or firing any pump action shotgun to experience a malfunction in which an unfired or fired cartridge case becomes jammed between the bolt and the barrel. Clear such a stop-page as follows. Point the muzzle in a safe direction. Put the safety "ON". If possible, engage the action release control button to prevent the next cartridge in the magazine from being released and adding to the jam. Pull back the bolt and hold or lock it to the rear. The jammed cartridge or case can then be removed by shaking it out, or picking it out with your fingers.

WARNING:

IF THE TRIGGER IS PULLED AND A "CLICK" IS HEARD BUT A CHAMBERED CARTRIDGE FAILS TO FIRE, FOLLOW THE INSTRUCTIONS BELOW:

1. POINT THE SHOTGUN IN A SAFE DIRECTION.
2. ENGAGE SAFETY.
3. WAIT 30 SECONDS.

INDENTED BY THE FIRING PIN, THE CARTRIDGE IS DEFECTIVE. IF IT HAS BEEN INTENEDED LIGHTLY OR NOT AT ALL RECHAMBER THE CARTRIDGE AND TRY AGAIN.

5. IF STILL IT DOES NOT FIRE, UNLOAD THE SHOTGUN AND TAKE IT TO A QUALIFIED GUNSMITH

• WHEN YOU ARE FIRING, IF YOU NOTICE THAT THE SOUND OF ANY CARTRIDGE IS CONSIDERABLY LOUDER OR SOFTER THAN THE PREVIOUS ONE, STOP FIRING AND DO NOT LOAD THE SHOTGUN ANYMORE. IN SUCH A CASE, FOLLOW THE BELOW INSTRUCTION.

1. POINT THE SHOTGUN IN A SAFE DIRECTION.
2. ENGAGE SAFETY.
3. FOLLOW THE INSTRUCTIONS IN THE "UNLOADING SECTION" AND UNLOAD THE SHOTGUN COMPLETELY.
4. WITH THE SHOTGUN UNLOADED, CHECK THE BARREL FOR BLOCKAGE OR DAMAGE. IF YOU NOTICE ANY DAMAGE OR MALFUNCTION IN THE SHOTGUN TAKE IT TO A QUALIFIED GUNSMITH.

10 | OPERATING INSTRUCTIONS

USE OF THE "CHOKES" (FOR MODEL EQUIPPED WITH MOBILE CHOKES ONLY)

There are 5 different screw-in (inner) chokes that can be used on your shotgun.

- F (Full /)
- IM (Improved Modified //)
- M (Modified ///)
- IC (Improved Cylinder ////)
- Cyl-Skeet (Cylinder Skeet /////)

Your shotgun is packed with either 3-choke system or 5-choke system. Most common and preferred 3-choke system is F, M, IC chokes. however different combination

3-choke systems are possible depending on the requirements of different countries.

5-choke system contains all the inner chokes being F, IM, M, IC, Cyl-Skeet.

Check the number and marking on the chokes to find out the inner choke configuration of your shotgun.

All screw-in(inner) chokes have one, two, three, four or five notches, which indicate the type of the screw-in choke, i.e. F choke has one, IM has two, M has three, IC has four and Cyl-Skeet has five notches. Please also check the markings on chokes.

NOTE:

M, IC and Cyl-Skeet choke tubes are good for steel shot. F & IM choke tubes are for lead shot only.

Choke	Choke Constriction (12 Gauge) Pattern Percentage	Pattern Percentage
Cylinder-Skeet	0 - 0.005" (0 - 0.12 mm)	40% - 53%
Improved Cylinder	0.010" (0.25 mm)	57%
Modified	0.020" (0.50 mm)	67%
Improved Modified	0.030" (0.75 mm)	73%
Full	0.040" (1.0 mm)	75%

Above table shows the constriction & pattern percentage versus inner chokes. Pattern percentages are taken at a distance of 36.5 meters (40 yards). The number of pellets striking within a 76mm (30 inch) circle, drawn so as to encompass as many pellet holes as possible, is counted and compared with the number of pellets contained in an identical unfired shell. The result is expressed as a percentage.

As can be seen from above table Full inner choke has the most accuracy and accuracy decreases from Full to Cyl-Skeet inner choke which has the least accuracy. Expansion of the shot pellets within a distance is the least in full inner choke and it is the most in Cylinder-Skeet inner choke.

WARNING:

- *MAKE SURE THE SHOTGUN IS UNLOADED AND THE SAFETY "ON" BEFORE YOU ASSEMBLE/DISASSEMBLE THE CHOKES.*
- *UNDER SAFETY CONDITIONS (CARTRIDGE CHAMBER EMPTY, RECEIVER EMPTY, MAGAZINE TUBE EMPTY, SAFETY ENGAGED), CHECK WHETHER THE CHOKE WORKED LOOSE DURING USE. IN SUCH A CASE, THE CHOKE MUST BE TIGHTENED TO THE END BY MEANS OF THE CHOKE WRENCH.*

ASSEMBLY & DISASSEMBLY OF THE INNER CHOKES:

- *TAKE ONE OF THE INNER CHOKES OF YOUR CHOICE. PLACE IT INSIDE BARREL AND BY MEANS OF CHOKE WRENCH; SCREW (CLOCKWISE) IT TO THE END UNTIL IT IS COMPLETELY TIGHTENED.*
- *TO DISASSEMBLE, UNSCREW (COUNTER-CLOCKWISE) BY MEANS OF CHOKE WRENCH AND REMOVE IT.*

11 | OPERATING INSTRUCTIONS

UNLOADING THE SHOTGUN

Unload your shotgun as follows:

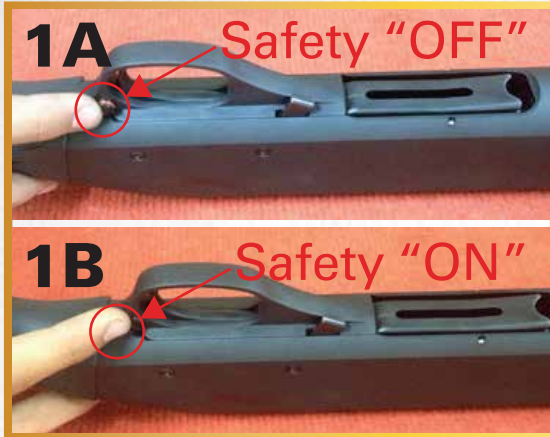
- Point the shotgun in a safe direction and engage the safety. **(1)**
- Depress the action release control button **(2)** and pull the forearm rearward, slowly, until the live round is completely withdrawn from the chamber and visible in the ejection port, and then remove it. Continue pulling the forearm rearward to release the next round onto the carrier. Turn the shotgun so that ejection port faces downwards to allow the released round to drop out through the ejection port.
- Push the forearm completely forward, closing the bolt without a shell being chambered.
- To eject the cartridges from the magazine tube, turn the shotgun over so the trigger guard is upward and the shotgun remains pointed in a safe direction. With one of your hand depress and the bottom by itself. **(8)**
- Then remove your hand that you depressed the carrier and pull the forearm fully rearwards to eject the cartridge from magazine tube. **(9)**
- Repeat this procedure until no more cartridges are ejected from the magazine tube.
- When no more cartridges are ejected from the magazine tube, visully check to assure the magazine tube and receiver are empty, and pull the forearm rearward enough to see and make sure that the cartridge chamber is empty.

WARNING:

- *SHOTGUN IS LOADED AND READY TO FIRE KEEP YOUR FINGERS AND KEEP THE SAFETY "ON".*
- *DURING UNLOADING, NEVER ALLOW FINGERS OR ANY OBJECT TO CONTACT THE TRIGGE. KEEP THE MUZZLE POINTED IN A SAFE DIRECTION AT ALL TIMES.*

12 | OPERATING INSTRUCTIONS

IMAGE REFERENCE



CARE, CLEANING AND LUBRICATION

WARNING:

BEFORE CLEANING OR LUBRICATING THE SHOTGUN MAKE SURE IT IS UNLOADED AND THE SAFETY "ON". DISASSEMBLE, CLEAN AND LUBRICATE THE SHOTGUN WHEN GREASE, DIRT OR POWDER FOULING ACCUMULATES IN THE BARREL AND ACTION. TO AVOID RUST AND CORROSION, CLEAN AND LUBRICATE AFTER EACH USE.

Materials and equipment necessary for cleaning and lubrication:

- Cleaning rod
- Cotton bore patches
- Brass bore brush
- Powder solvent
- Small soft brush
- Good quality shotgun oil

- After use, to remove any powder and lead residue in the bore, scrub the barrel and chamber using the bore brush with powder solvent. Then swab the bore and the chamber with shotgun oiled cotton patches to protect from rust and corrosion.
- After a high number of shots (about 500 shots), disassemble the bolt assembly and clean it with a soft brush and shotgun oil. Then dry it carefully with a soft cloth and oil the parts lightly.
- Clean the outside of the magazine tube with a shotgun oiled soft cloth and then dry it with a soft cloth and oil the parts lightly.
- Any powder on the chamber, barrel, etc. can be cleaned with a brush and powder solvent.
- All external surfaces should be wiped down with light coat of rust preventative.
- Avoid using too much solvent for bore cleaning, since prolonged contact may damage the finish of the shotgun. Make sure to wipe away all the excess solvent and lubricant.

SEE FULL VIDEO TUTORIALS ON OUR
WEBSITE



SCAN QR

STORAGE AND TRANSPORTATION

When storing the firearm and ammunition, store in separate locations, store ammo in a cool, dry location.

When storing the gun for a prolonged period of time, It is necessary to oil it heavily with an acid-free lubricant. The external parts must be coated with an anti-rust oil or grease to prevent moisture causing the parts to rust and malfunction. Before usage, the shotgun must be cleaned and wiped dry again as discussed previously.

WARNING:

CHILDREN ARE ATTRACTED TO AND CAN OPERATE FIREARMS THAT CAN CAUSE SEVERE INJURIES OR DEATH. PREVENT CHILD ACCESS BY ALWAYS KEEPING FIREARMS LOCKED AWAY AND UNLOADED WHEN NOT IN USE. IF YOU KEEP A LOADED FIREARM WHERE A CHILD OBTAINS AND IMPROPERLY USES IT, YOU MAY BE FINED OR SENT TO PRISON.

WARNING:

THE FIREARM SHOULD BE RE-STORED IN ROOMS WITH A DRY ATMOSPHERE AND WITH THE LEAST HUMIDITY. IT SHOULD NOT BE STORED ENCASED IN LEATHER OR ANYTHING THAT WILL ATTRACT AND HOLD MOISTURE, CAUSING IT TO RUST.

ORDERING PARTS

Visit RIA website to browse, learn more about and purchase parts and ammunition for all of your Rock Island Armory products.

 www.advancedtactical.com



WARRANTY REGISTRATION

Armcor's warranty covers its firearms and parts. We offer limited lifetime warranty on our products for their intended purpose. As with any product, abuse, gunsmithing by an unqualified person and normal wear and tear are excluded. Additionally, if the firearm was modified and/or repaired by an unqualified gunsmith without permission from Armcor, then the warranty will be void. If warranty work should be required, return the firearm to the address listed below. There is no refund for the shipping cost. Gunsmithing services are available by registered Armcor Gunsmithers. Please email the address below.

To register your firearm, please go to www.rockislandarmory.com/support-center/warranty/ and complete online warranty form. In comments section, write warranty registration and press submit. You can also go to www.rockislandarmory.com and press warranty section at the bottom.

For more information on warranty, visit www.rockislandarmory.com, or email support@armcor.com

Armcor Precision International
150 North Smart Way
Pahrump, NV 89060
Email: support@armcor.com

IMPORTANT WARRANTY INFORMATION

Our Rock Island Armory shotguns are warranted to function only with Factory Ammo and the Original Factory Magazine Tube. Use of Handloads is not covered in Warranty of Repair for the function of the Firearm.

DUE TO THE FIT AND TIGHTNESS OF FIREARM, RIA RECOMMENDS A BREAK-IN PERIOD OF 500 ROUNDS.

THIS IS HOW YOU VOID YOUR WARRANTY

- * Refinishing your RIA firearm
- * Misuse, Mishandling, Dropping your RIA Firearm
- * Firing Remanufactured or Reloaded Ammunition
- * Not properly reassembling your RIA Firearm resulting in damage, ie reverse plugs!
- * Any addition of after market parts
- * Unauthorized repairs done by any other than Rock Island Armory

LIMITS ON WARRANTY (will not cover)

- * Finish, Holster wear, Scratches, Chemical damage
- * After Market Magazines
- * Damage to Factory Magazines
- * Sights not installed by Rock Island Armory
- * Recoil Springs

WE RESERVE THE RIGHT TO CHARGE FOR LABOR, PARTS AND SHIPPING TO RETURN YOUR RIA FIREARM BACK TO FACTORY SPECIFICATIONS IF IT HAS BEEN ALTERED.

NOTES



WWW.ROCKISLANDARMORY.COM

