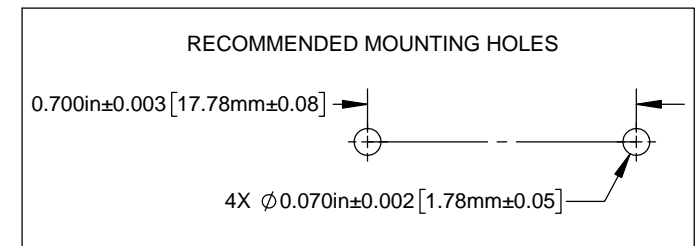
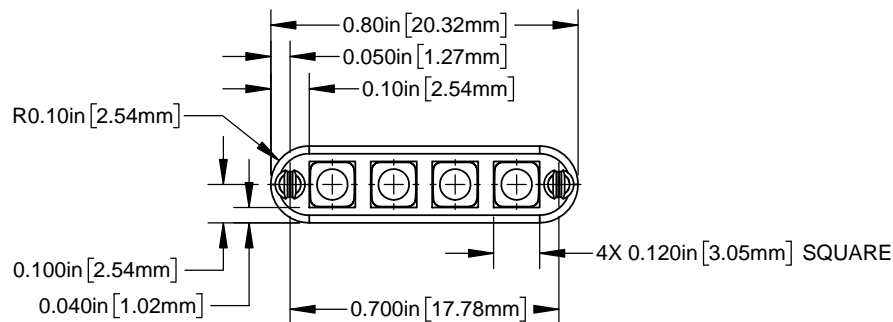
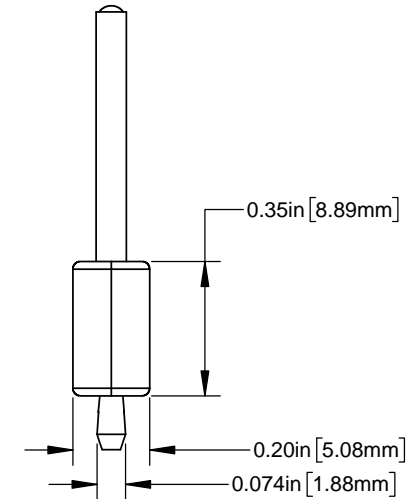
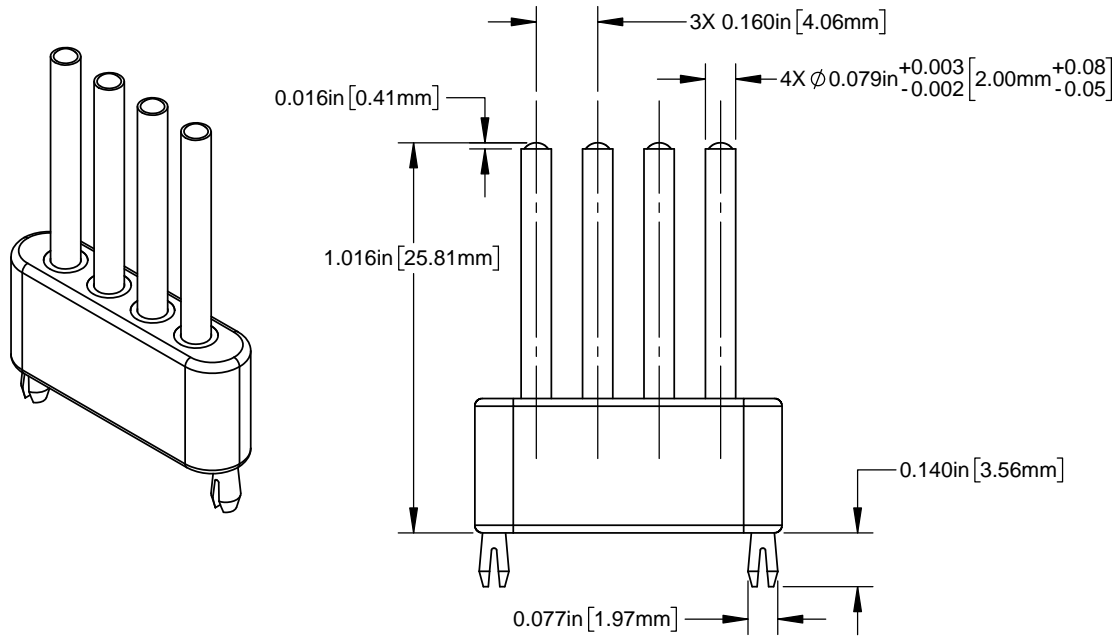


NOTES:

1. GENERAL SPECIFICATIONS: BIVAR MOLDED COMPONENTS SPECIFICATIONS: BV00-E101.
2. MATERIAL: LIGHT PIPE - POLYCARBONATE, 94V-0, CLEAR AND MOUNTING BASE - NYLON 66, 94V-0, BLACK.

| REVISIONS |                     |           |          |
|-----------|---------------------|-----------|----------|
| REV.      | DESCRIPTION         | DATE      | APPROVED |
| A         | Engineering Release | 3/19/2019 | G.O.     |



|   |         |  |                                 |
|---|---------|--|---------------------------------|
| STANDARD TOLERANCE (UNLESS OTHERWISE SPECIFIED) |         | <br>4 THOMAS, IRVINE, CA. 92618<br>TEL: (949) 951-8808 FAX: (949) 951-3974 |                                 |
| DECIMALS  | ANGULAR |  |                                 |
| .X ± .1   | X° ± 1° | TITLE:<br>BLS ARRAY, VERTICAL, 2mm   |                                 |
| .XX ± .01                                       |         | DESIGNED:<br>K. BARON  | DATE:<br>03/19/19               |
| .XXX ± .005                                     |         | REVISION:<br>A   | PART NO:<br>LPAV2-160-1000D-1-4 |
|   |         | REVISD:<br>N/A   | DATE:<br>N/A                    |
|   |         | CHECKED:<br>TD. NGUYEN   | DATE:<br>03/19/19               |
|   |         | CAGE CODE:<br>32559  | SCALE: 2:1                      |
|   |         | SHEET # 1 OF 1   |                                 |
| CAD GENERATED DOCUMENT, DO NOT MEASURE DRAWING  |         |  |                                 |