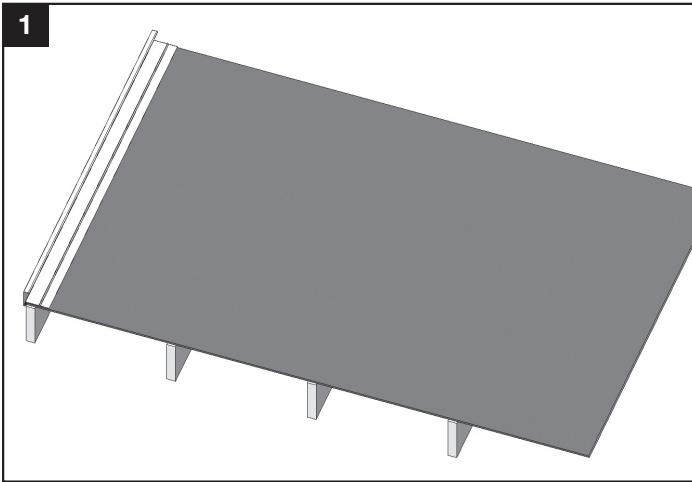
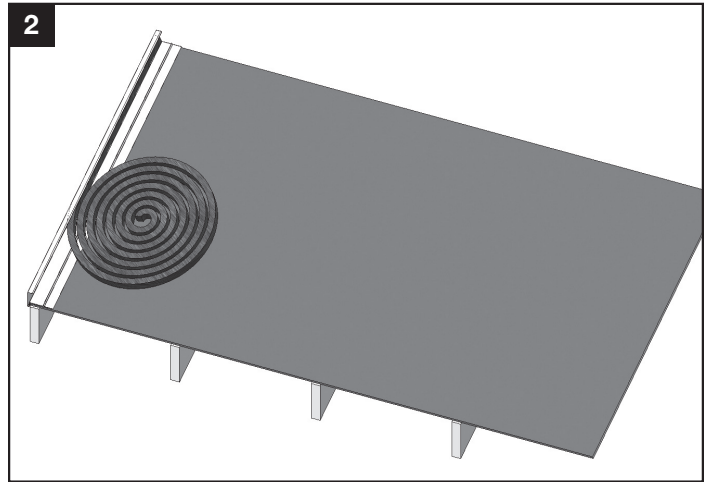


High-Profile Debris Guard

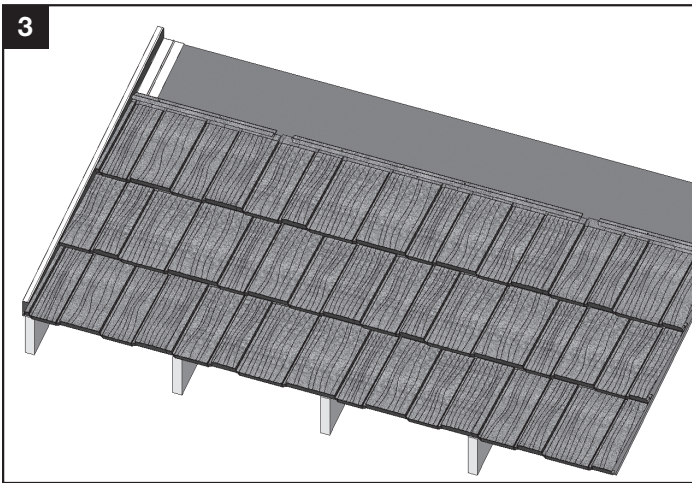
Rake



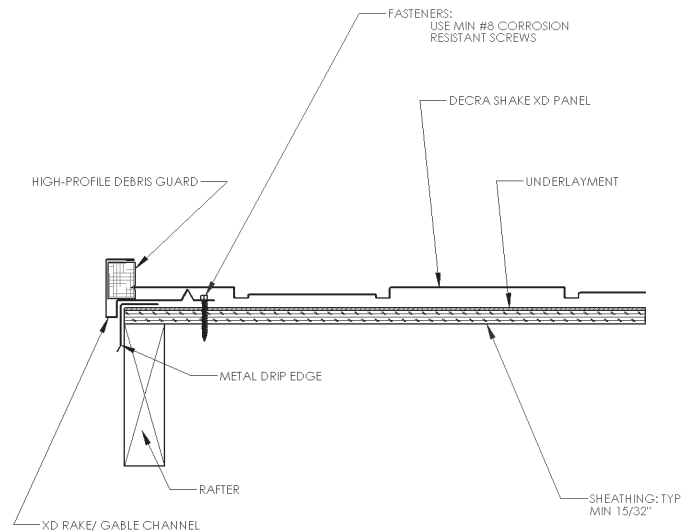
1 Install High-Profile Debris Guard Rake/Gable Channel according to Install Guide.



2 Roll High-Profile Debris Guard into Rake/Gable Channel. Remove the white paper while unrolling to expose the adhesive dots.



3 Install High-Profile Debris Guard Panels. Edge of panel should slightly compress Debris Guard.

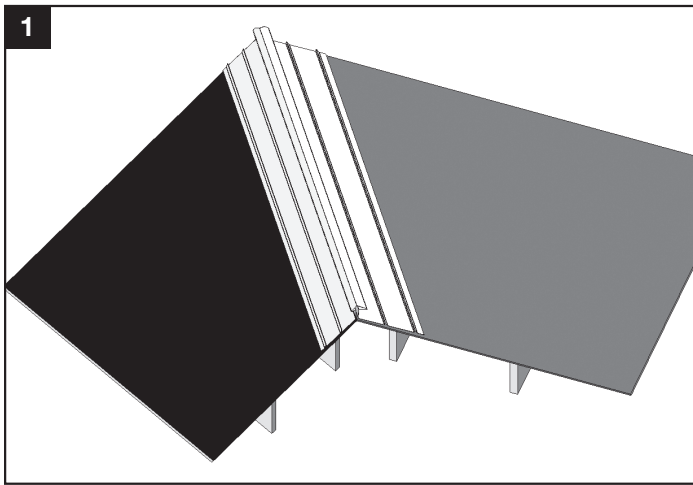


Safety

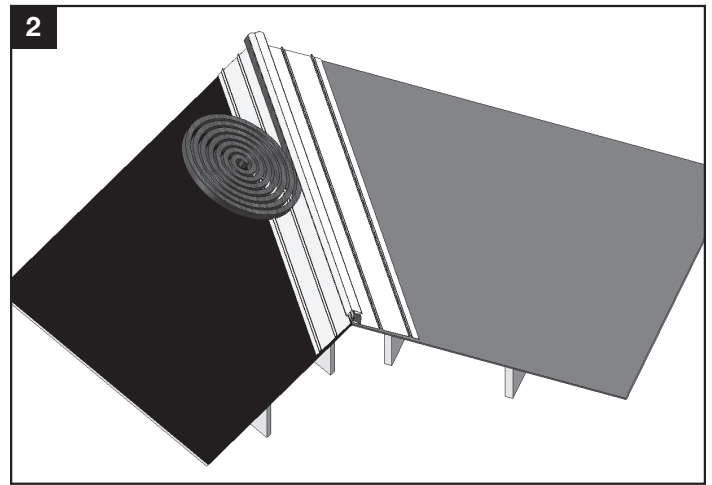
Adhere to recommended safe roofing practices. Wear appropriate clothing and use safety equipment such as protective eyewear and cut resistant gloves.

High-Profile Debris Guard

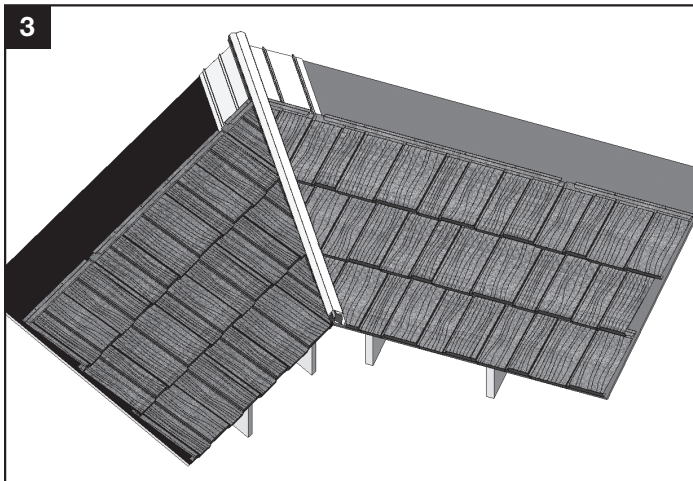
Valley



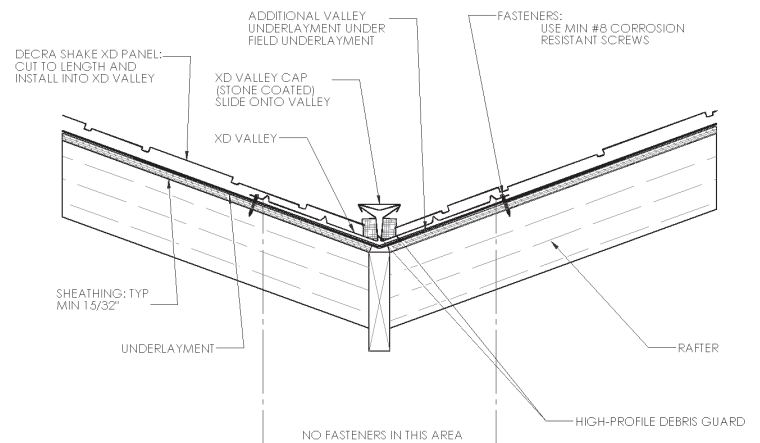
1 Install High-Profile Debris Guard Valley according to Install Guide.



2 Roll High-Profile Debris Guard into both sides of Valley. Remove the white paper while unrolling to expose the adhesive dots.



3 Install High-Profile Debris Guard. Edge of Panel should compress Debris Guard.



Safety

Adhere to recommended safe roofing practices. Wear appropriate clothing and use safety equipment such as protective eyewear and cut resistant gloves.