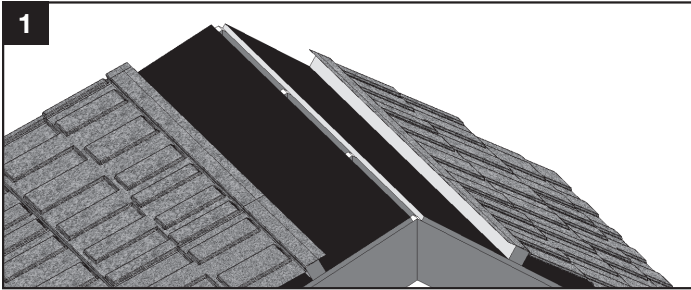
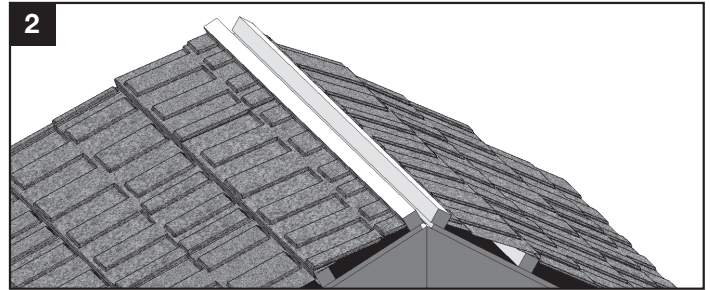


Ridge Vent

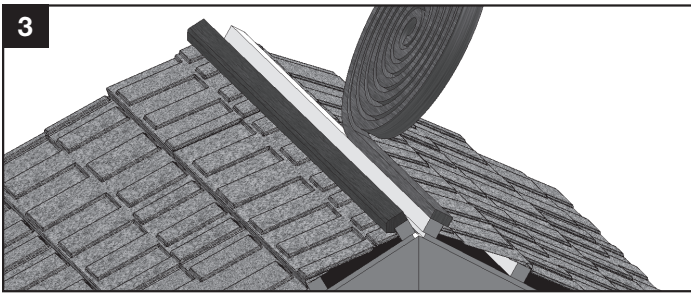
Installation without Center Beam



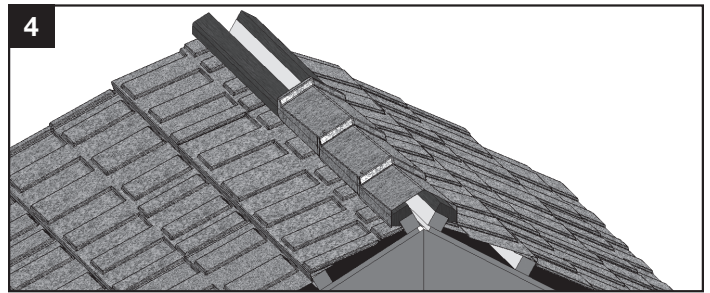
1
Install panels up to last full course before ridge according to installation instructions. Cut both sides of the plywood 3/4 inch from the center of the ridge to expose attic space.



2
Install wood battens along the ridge. Align the top edge of the 2x2 along the edge of the plywood on both sides of the ridge to expose the attic opening. Measure, cut, bend, and install the final course of panels.



3
Remove the 1x4 spacer and roll out the vent material along the tops of the battens. Remove the white paper while unrolling to expose the adhesive dots. Apply pressure over the adhesive dots to hold the material in place during installation.



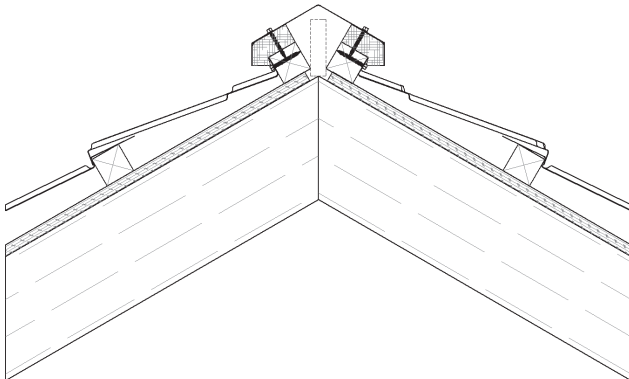
4
Install the appropriate Hip and Ridge pieces over the vent material. Fasten the screws through the vent material into the battens.



Safety

Adhere to recommended safe roofing practices. Wear appropriate clothing and use safety equipment such as protective eyewear and cut resistant gloves.

General View



Shingle Profile View

