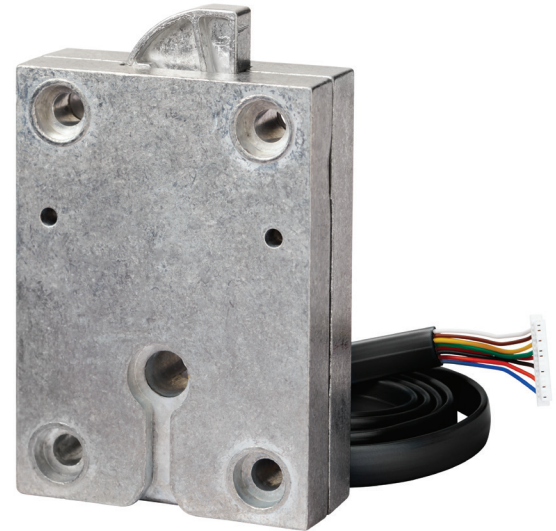


Digital Hood Defense

PROTECT ATM HOODS FROM ATTACK WITH
PROVEN S&G SECURITY



Secure ATMs against malware and jackpotting with Sargent and Greenleaf's Digital Hood Defense. This digital innovation layers security for the entire unit by adding additional protection to the hood without compromising convenience for operators. With Digital Hood Defense, users conveniently access both the hood and vault through the same keypad. **Digital Hood Defense enhances ATM security, management, and oversight while making the unit impervious to hood tampering.**

FEATURES

- **INCREASED SECURITY.** Digital Hood Defense works with your S&G digital keypad option to protect against malware and jackpotting attacks at the ATM hood.
- **AUDIT TRAIL.** Since Digital Hood Defense routes through the keypad, both hood and vault access are tracked. Store up to 1,000 time- and date-stamped audit events at the lock.
- **SOFTWARE COMPATIBLE.** Digital Hood Defense works directly through your existing lock software after installing the latest update.
- **GREATER CONTROL.** Allow access to the hood alone, vault alone, or both compartments, depending on your lock option.
- **NO KEY MANAGEMENT.** When paired with an Audit 2.0 or Digital Time Lock, Digital Hood Defense programs from the keypad or using your existing lock software—no keys required.

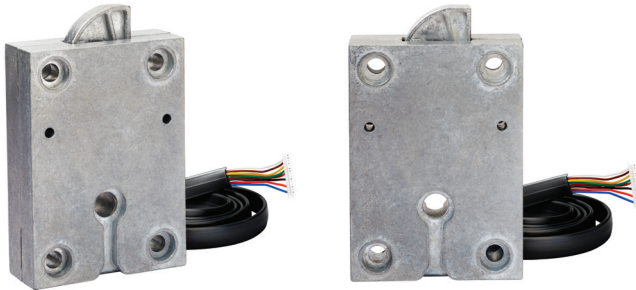
Learn more at www.sargentandgreenleaf.com.

Protecting assets from high-security government sites to banks to businesses for more than 160 years, Sargent & Greenleaf continues to set the standard for innovation, security, quality, and trust.

Digital Hood Defense

ADD AN ADDITIONAL LAYER OF PROTECTION TO YOUR ATM.

Digital Hood Defense upgrades the security of your ATM by tying hood access to the same keypad you use for your vault—protecting the hood against malware and jackpotting attacks. With easily managed code control, users access the hood, the vault, or both, depending on your paired vault lock. And with Digital Hood Defense, both vault and hood access events are stored in a 1,000-event audit trail.



KEYPAD COMPATIBILITY

S&G static and dynamic code locks are manufactured to function flexibly with Digital Hood Defense.

STATIC FUNCTION

- Use with S&G's Audit 2.0 or Digital Time Locks
- Supports up to 100 users
- Access both hood and vault with the same code—no key required
- Up to 1,000 date- and time-stamped audit events stored at the lock

DYNAMIC CODE FUNCTION

- Use with S&G's A-Series with Display Lock
- One-time codes allow tightly controlled access based on user requirement and date/time windows
- 10-digit code allows hood access, 8-digit code plus key allows access to vault
- Programmable from existing LMS software after latest update
- Up to 1,000 date- and time-stamped audit events stored at the lock

SPECIFICATIONS

CERTIFICATIONS

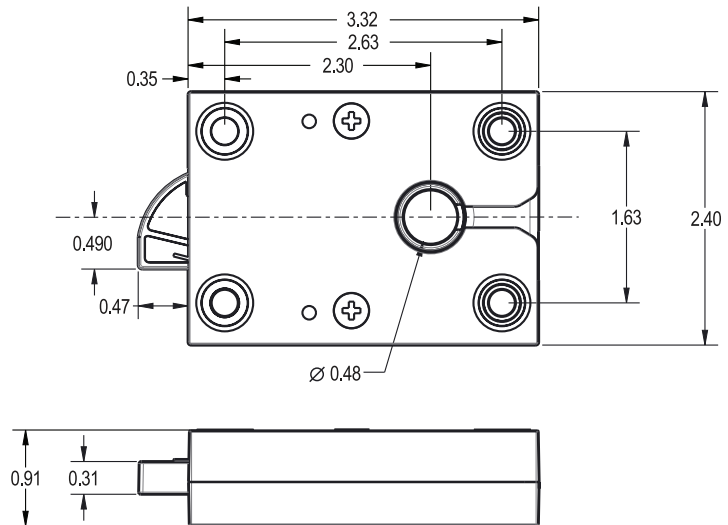
- UL Listed when used with S&G's A-Series with Display Lock

INSTALLATION

- S&G 1004 lock body installs in the ATM hood
- Cable connects the 1004 lock to the primary vault lock
- Cable allows power in and out without requiring batteries
- Cable powers entire locking system
- Cable allows duress alarm and remote enable/disable options with additional professional configuration

WARRANTY

- One-year limited warranty



For more information, to find part numbers, or to place an order, visit us online or contact your Sargent and Greenleaf sales representative.

www.sargentandgreenleaf.com

Corporate Headquarters: One Security Drive • Nicholasville, Kentucky 40356 • USA • Tel. 859-885-9411, Fax 859-887-2057

Except as otherwise noted, all trademarks in this data sheet are trademarks of Sargent and Greenleaf. ® denotes a trademark registered in the U.S. Patent and Trademark Office and patent offices around the world.

Patents Pending. Warranty is subject to terms and conditions.



SG-1057
© 2019 Sargent and Greenleaf