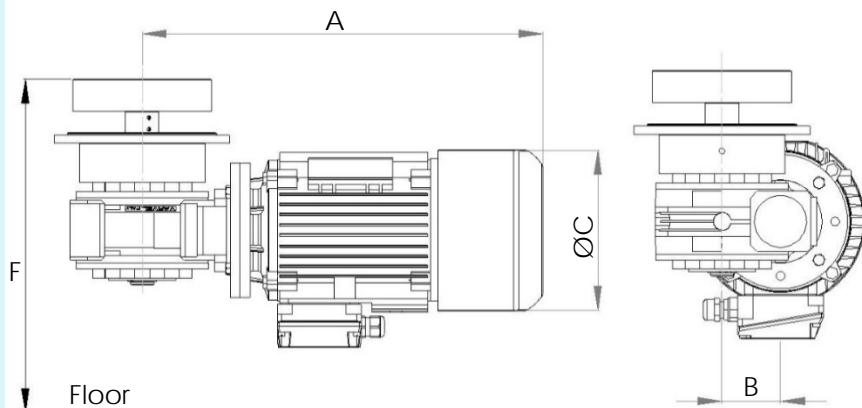


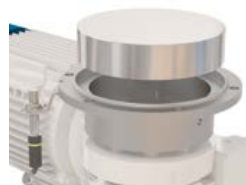
Metenova Mixer ZG10 Drive Unit



Option 1: RPM Sensor, Mix Head

Option 2: RPM Sensor, Shaft reading

Option 3: Lowering Device



Part #	Description	
ZG24502-00447	ZG10 Drive Unit AC, E0	
ZG00014-03083	RPM Sensor, Mix Head	Option 1
ZG00014-03193	RPM Sensor, Shaft	Option 2
ZG24502-02012	ZG10 Lowering Device E0	Option 3

A mm (in)	B mm (in)	ØC mm (in)	F mm (in)	Weight kg (lb)
479 (18.86)	70 (2.76)	196 (7.7)	430 (16.9)	42.0 (92.4)

Motor: 3.0 kW/ 4.0 hp @ 50 Hz / 3.5 kW/ 4.7 hp @ 60 Hz (4-pole - 7:1 Gear Box)
Voltage: Δ230 / Y400 VAC @ 50Hz / Y460 VAC @ 60Hz (±5%)
Current: 11.8A @ 230V/50Hz - 6.8A @ 400V/50Hz - 6.6A @ 460V/60Hz
Efficiency Performance Class: IE2
Thermistors: 2
Certified: CE / C-UL-US
Protection class: IP 55
Environment temp: 0°C - 40°C (32°F - 104°F)
Min - Max rpm: 24 - 245
Color: In compliance with FDA
Gear box oil: Food grade in compliance with FDA



- VFD with soft start must be used when operating the mixer.
- Items are individually packed and for traceability purposes marked with item & id no.
- Metenova Quality Assurance System ensures the quality and traceability at all stages of the process.

Option 1: RPM Sensor, Mix Head

Pulses/turn: 1
Output function: 3-wire, NO contact PNP
Indicator: Yellow LED
Temperature range: -25°C-70°C (-13°F-158°F)
Operating voltage: 10..65 VDC
Protection class: IP67

Option 2: RPM Sensor, Shaft

Pulses/turn: 4
Output function: 4-wire, NO/NC contacts PNP
Indicator: Yellow LED
Temperature range: -25°C-70°C (-13°F-158°F)
Operating voltage: 10..30 V
Protection class: IP67

Option 3: Lowering Device

Allows preventative maintenance of Mix Head and Male Post without having to remove the Drive Unit from the tank.