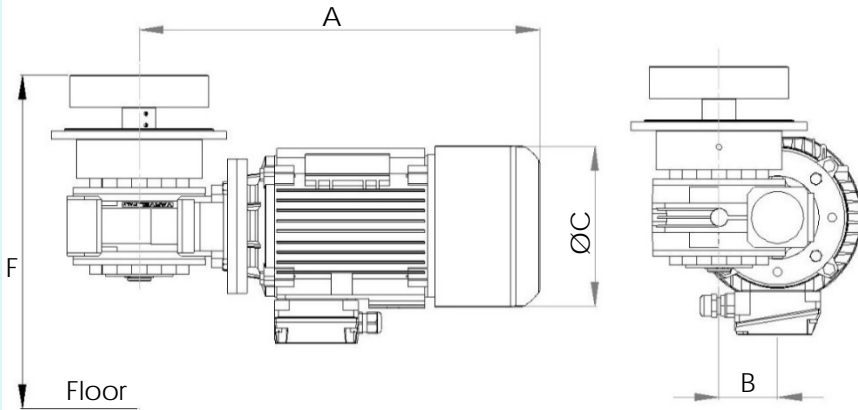


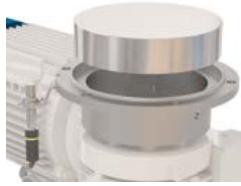
Metenova Mixer ZG10 Drive Unit



Option 1: RPM Sensor, Mix Head

Option 2: RPM Sensor, Shaft reading

Option 3: Lowering Device



Part #	Description	
ZG24502-F00447	ZG10 Drive Unit AC, E0, IE3	
ZG00014-03083	RPM Sensor, Mix Head	Option 1
ZG00014-03193	RPM Sensor, Shaft	Option 2
ZG24502-02012	ZG10 Lowering Device E0	Option 3

A mm (in)	B mm (in)	ØC mm (in)	F mm (in)	Weight kg (lb)
479 (18.86)	70 (2.76)	196 (7.7)	430 (16.9)	42.0 (92.4)

Motor: 3.0 kW/ 4.0 hp @ 50 Hz / 3.5 kW/ 4.7 hp @ 60 Hz (4-pole - 7:1 Gear Box)
Voltage: Δ230 / Y400 VAC @ 50Hz / Y460 VAC @ 60Hz (±5%)
Current: 11.8A @ 230V/50Hz - 6.8A @ 400V/50Hz - 6.6A @ 460V/60Hz
Efficiency Performance Class: IE3
Thermistors: 2
Certified: CE / C-UL-US
Protection class: IP 55
Environment temp: 0°C - 40°C (32°F - 104°F)
Min - Max rpm: 24 - 245
Color: In compliance with FDA
Gear box oil: Food grade in compliance with FDA



- VFD with soft start must be used when operating the mixer.
- Items are individually packed and for traceability purposes marked with item & id no.
- Metenova Quality Assurance System ensures the quality and traceability at all stages of the process.

Option 1: RPM Sensor, Mix Head

Pulses/turn: 1
Output function: 3-wire, NO contact PNP
Indicator: Yellow LED
Temperature range: -25°C-70°C (-13°F-158°F)
Operating voltage: 10..65 VDC
Protection class: IP67

Option 2: RPM Sensor, Shaft

Pulses/turn: 4
Output function: 4-wire, NO/NC contacts PNP
Indicator: Yellow LED
Temperature range: -25°C-70°C (-13°F-158°F)
Operating voltage: 10..30 V
Protection class: IP67

Option 3: Lowering Device

Allows preventative maintenance of Mix Head and Male Post without having to remove the Drive Unit from the tank.

Metenova AB.
 Norra Ägatan 32
 431 35 Mölndal Sweden
 Phone +46 31 3359500

www.metenova.com
info@metenova.com

Metenova America Inc.
 P.O. Box 398
 Glen Gardner, NJ 08826, USA
 Phone 908-537-4199