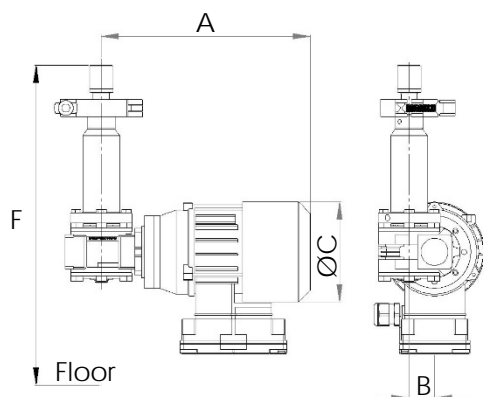


Metenova Mixer ZG2 Drive Unit



Option 2:
RPM Sensor, Shaft reading



Option 4:
Transport Locking Device



Part #	Description	
ZG51502-D00980	ZG2 Drive Unit AC, E100, IE3, IP66	
ZG00014-03193	RPM Sensor, Shaft	Option 2
ZG00016-01773	ZG- Transport Locking Device TC [ZG1 & ZG2]	Option 4

A mm (in)	B mm (in)	ØC mm (in)	F mm (in)	Weight kg (lb)
231 (9.09)	28 (1.10)	110 (4.33)	325 (12.8)	6.0 (13.5)

Motor: 0.12 kW/0.16 hp @ 50 Hz / 0.14 kW/0.19 hp @ 60 Hz (2-pole - 7:1 Gear Box)
Voltage: Δ230 / Y400 VAC @ 50Hz / Y460 VAC @ 60Hz (±5%)
Current: 0.6A @ 230V/50Hz - 0.35A @ 400V/50Hz - 0.35A @ 460V/60Hz
Efficiency Performance Class: IE3
Thermistors: 2
Certified: CE / C-UL-US
Protection class: IP 66
Environment temp: 0°C - 40°C (32°F - 104°F)
Min - Max rpm: 50 - 490
Color: In compliance with FDA
Gear box oil: Food grade in compliance with FDA



- VFD with soft start must be used when operating the mixer.
- Items are individually packed and for traceability purposes marked with item & id no.
- Metenova Quality Assurance System ensures the quality and traceability at all stages of the process.

Option 2: RPM Sensor, Shaft

Pulses/turn: 4
Output function: 4-wire, NO/NC contacts PNP
Indicator: Yellow LED
Temperature range: -25°C-70°C (-13°F-158°F)
Operating voltage: 10..30 V
Protection class: IP67

Option 4: Transport Locking Device

Secures the Mix Head in place when transporting the tank without Drive Unit attached.