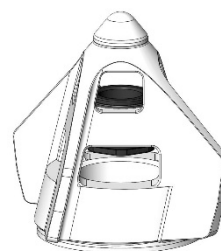
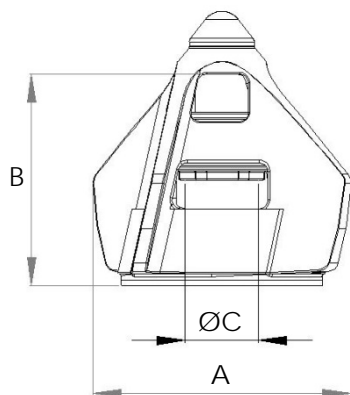


Metenova Mixer ZG2P Mix Head



Part #	Description	
ZG51P509-01551	ZG2P Mix Head PP SiC EP EPDM o-rings	
ZG00013-03136	Kalrez o-rings in lieu of EPDM	Option 1
ZG00013-03124	Silicone o-rings in lieu of EPDM	Option 2
ZG00013-03130	Viton o-rings in lieu of EPDM	Option 3

General information

A mm (in)	B mm (in)	Id Female Sleeve ØC mm (in)	Weight kg (lb)
96 (3.78)	71.5 (2.8)	18 (0.71)	0.3 (0.66)

Material:	Polypropylene (PP) FDA USP class VI
Color:	White
Female Sleeve:	Silicon Carbide (SiC)
O-rings:	FDA & USP class VI * compliant EPDM
Operating Temp:	5°C - 60°C (41°F - 140°F)

* Also applicable for optional o-rings

- Items are individually packed and for traceability purposes marked with item & id no.
- Metenova Quality Assurance System ensures the quality and traceability at all stages of the process.