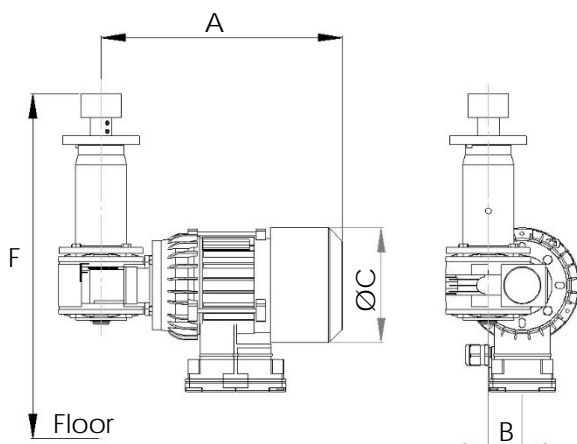


# Metenova Mixer ZG5 Drive Unit



Option 1:  
RPM Sensor, Mix Head



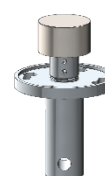
Option 2:  
RPM Sensor, Shaft reading



Option 3:  
Lowering Device



Option 4:  
Transport Locking Device



Part #	Description	
<b>ZG52502-00428</b>	<b>ZG5 Drive Unit AC, E100</b>	
ZG00014-03083	RPM Sensor, Mix Head	Option 1
ZG00014-03193	RPM Sensor, Shaft	Option 2
ZG52502-02001	ZG5 Lowering Device E100	Option 3
ZG52016-01776	ZG5 Transport Locking Device	Option 4

A mm (in)	B mm (in)	ØC mm (in)	F mm (in)	Weight kg (lb)
285 (11.22)	40 (1.57)	135 (5.31)	380 (14.9)	10.5 (23.1)

**Motor:** 0.37 kW/0.50 hp @ 50 Hz / 0.44 kW/0.60 hp @ 60 Hz (2-pole - 7:1 Gear Box)  
**Voltage:** Δ230 / Y400 VAC @ 50Hz / Y460 VAC @ 60Hz (±5%)  
**Current:** 1.75A @ 230V/50Hz - 1.0A @ 400V/50Hz - 1.0A @ 460V/60Hz  
**Efficiency Performance Class:** IE2  
**Thermistors:** 2  
**Certified:** CE / C-UL-US  
**Protection class:** IP 55  
**Environment temp:** 0°C - 40°C (32°F - 104°F)  
**Min - Max rpm:** 50 - 490  
**Color:** In compliance with FDA  
**Gear box oil:** Food grade in compliance with FDA



- VFD with soft start must be used when operating the mixer.
- Items are individually packed and for traceability purposes marked with item & id no.
- Metenova Quality Assurance System ensures the quality and traceability at all stages of the process.

**Option 1: RPM Sensor, Mix Head**

**Pulses/turn:** 1  
**Output function:** 3-wire, NO contact PNP  
**Indicator:** Yellow LED  
**Temperature range:** -25°C-70°C (-13°F-158°F)  
**Operating voltage:** 10..65 VDC  
**Protection class:** IP67

**Option 2: RPM Sensor, Shaft**

**Pulses/turn:** 4  
**Output function:** 4-wire, NO/NC contacts PNP  
**Indicator:** Yellow LED  
**Temperature range:** -25°C-70°C (-13°F-158°F)  
**Operating voltage:** 10..30 V  
**Protection class:** IP67

**Option 3: Lowering Device**

Allows preventative maintenance of Mix Head and Male Post without having to remove the Drive Unit from the tank.

**Option 4: Transport Locking Device**

Secures the Mix Head in place when transporting the tank without Drive Unit attached.