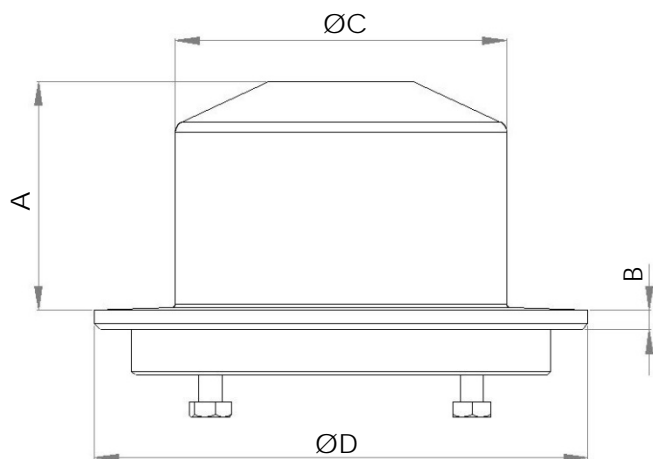


Metenova Mixer ZG6 Tank Plate



Part #	Description
ZG13506-00117	ZG6 Tank Plate 316L Welded

General information

A mm (in)	B mm (in)	ØC mm (in)	Welding Diameter ØD mm (in)	Weight kg (lb)
56.5 (2.22)	5 (0.20)	64 (2.52)	104 (4.09)	3.2 (7.0)

Material:	Stainless Steel AISI 316L (1.4404) ASME SA-479 EN 10272 (PED)
Certificate:	3.1
Surface Roughness:	Ra ≤ 0.5 µm (20 µin)
Surface Treatment:	Manually polished. Non animal origin polishing compounds are used.
Operating Temp:	5°C - 150°C (41°F - 302°F)
pH Range:	1 - 14
Design Pressure:	-1 -10barg (-14.7 - 145 psig)

- Items are individually packed and for traceability purposes marked with item & id no.
- Metenova Quality Assurance System ensures the quality and traceability at all stages of the process.