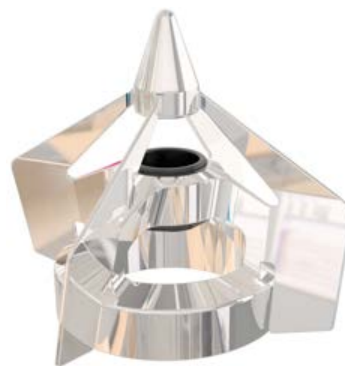
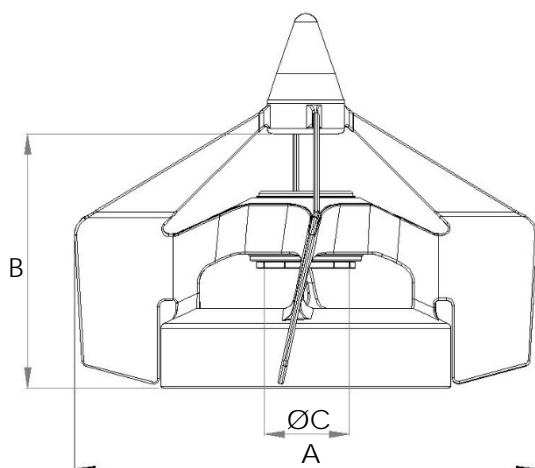


Metenova Mixer ZG8 Mix Head



Part #	Description	
ZG53509-A00422	ZG8 Mix Head 1.4435 SiC EP EPDM o-rings	
ZG00013-03138	Kalrez o-rings in lieu of EPDM	Option 1
ZG00013-03126	Silicone o-rings in lieu of EPDM	Option 2
ZG00013-03132	Viton o-rings in lieu of EPDM	Option 3

General information

A mm (in)	B mm (in)	Id Female Sleeve ØC mm (in)	Weight kg (lb)
236 (9.29)	131.0 (5.16)	40 (1.57)	4.2 (9.2)

Material:	Stainless Steel AISI 1.4435 (316L)
Female Sleeve:	Silicon Carbide (SiC)
O-rings:	FDA & USP class VI * compliant EPDM
Surface Roughness:	Ra ≤ 0.5 µm (20 µin)
Surface Treatment:	Electro polished. Non animal origin polishing compounds are used.
Operating Temp:	5°C - 150°C (41°F - 302°F)
pH Range:	1 - 14

* Also applicable for optional o-rings

- Items are individually packed and for traceability purposes marked with item & id no.
- Metenova Quality Assurance System ensures the quality and traceability at all stages of the process.