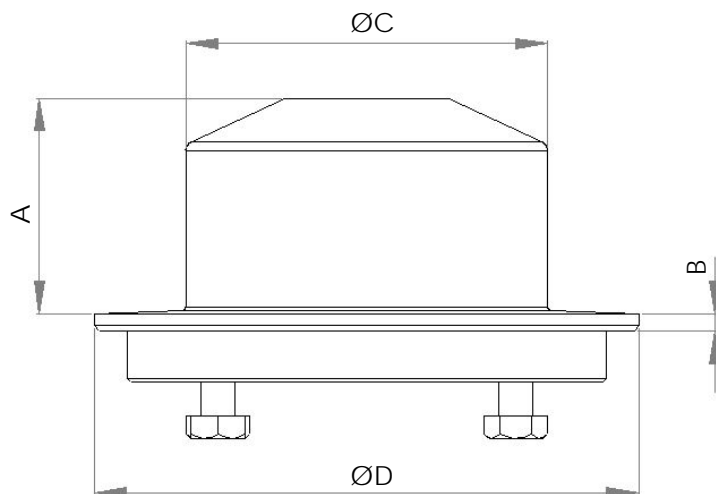


Metenova Mixer ZG8 Tank Plate



Part #	Description
ZG53506-A00343	ZG8 Tank Plate 1.4435 Welded

General information

A mm (in)	B mm (in)	ØC mm (in)	Welding Diameter ØD mm (in)	Weight kg (lb)
63 (2.48)	5 (0.20)	106 (4.17)	159.5 (6.28)	5.1 (11.2)

Material:	Stainless Steel 1.4435 (316L) ASME SA-479 EN10272 (PED)
Certificate:	3.1
Surface Roughness:	Ra ≤ 0.5 µm (20 µin)
Surface Treatment:	Manually polished. Non animal origin polishing compounds are used.
Operating Temp:	5°C - 150°C (41°F - 302°F)
pH Range:	1 - 14
Design Pressure:	-1 - 10 barg (-14.7 - 145 psig)

- Items are individually packed and for traceability purposes marked with item & id no.
- Metenova Quality Assurance System ensures the quality and traceability at all stages of the process.