

Brush Skimmer Floating MicroMax - 589486



The MicroMax Floating Skimmer uses the proven technology of the Lamor Brush Skimmers and is further developed from the well proven Lamor Rock Cleaner.

To the Rock Cleaner Skimmer frame is added two floats that can be removed for small storage. The skimmer can be lowered down to skimming position through a manhole of ca 550 mm (22 in) diameter.

The skimmer is connected to a 2 1/2" discharge hose and the recovered material can be discharged with the help of any suction pumping system, or eg. with Lamor LPP 6 HA C75 hydraulic power pack built in the same frame with a Spate 75 pump.

The MicroMax Skimmer has a small hydraulically operated brush wheel, removing oil from tanks or pits and separating oil and water. The recovered oil is lead into a

hopper behind the brush wheel from where the oil is sucked using a separate suction pump. The MicroMax is manufactured from aluminum and weighs only ca 11 kg (24 lbs).

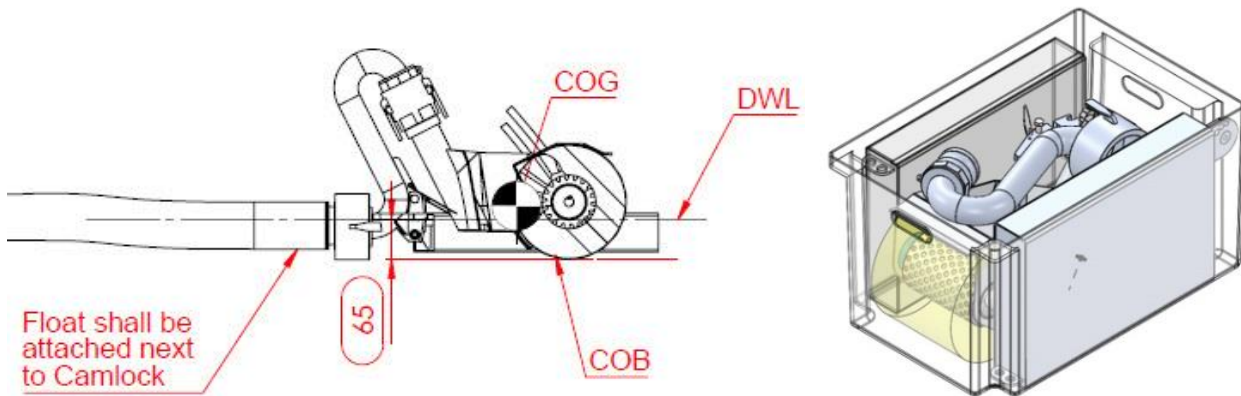
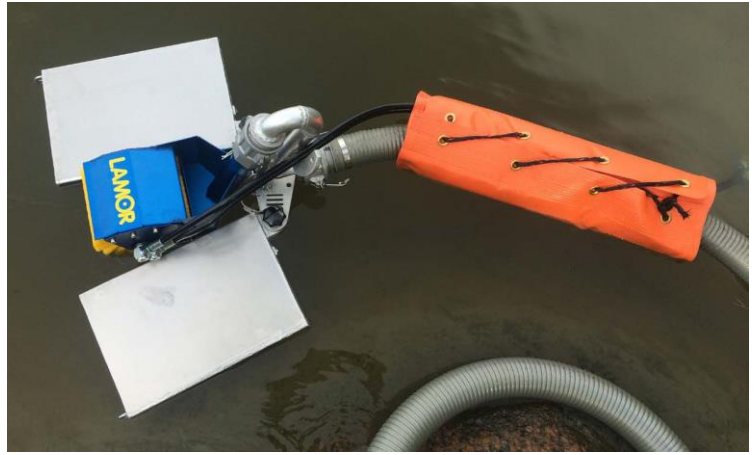
The flexible floats ensure the skimmer to float in right position even if the operator did not see the skimmer low below the tank top. With floats dismantled, the skimmer fits in a storage box of approx 550 x 350 x 300 (H) mm (22x14x12 inch).

The skimmer is entirely hydraulically operated and its power requirement is low. The unit is designed to be connected to a suction pump or vacuum system.

Standard Hydraulic Couplings:
Discharge:

1/4" TEMA 2510/2520
2 1/2" Camlock Female





TECHNICAL SPECIFICATIONS

Length	700 mm	27.6 in
Width	550 mm	21.7 in
Height	300 mm	11.8 in
Weight	11 kg	24 lbs
Capacity	10 m ³ /h*	45 gpm*
Hydraulic Flow	1-3 l/min**	0.3-0.8 gpm**
Hydraulic Pressure	60-100 bar	870-1450 psi
Power	0.5 kW	0.7 hp

*Capacity related to pump selection

**Skimmer only

FEATURES AND BENEFITS

- Portable and light weight
- User friendly
- Removable floats
- Recovery of light to heavy viscous oils
- Low free-water content, <5 %