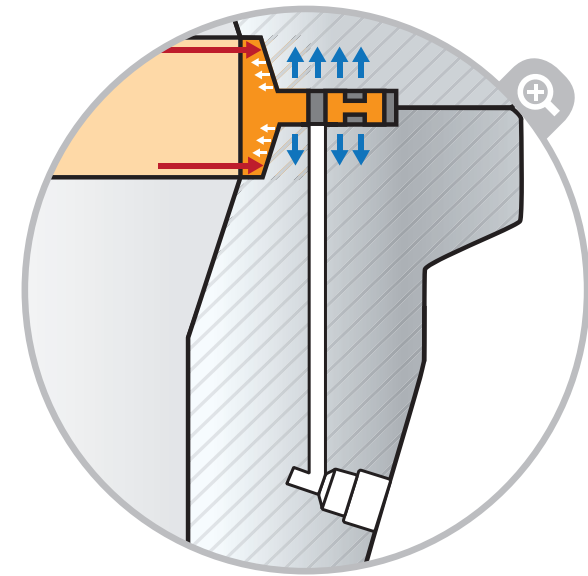
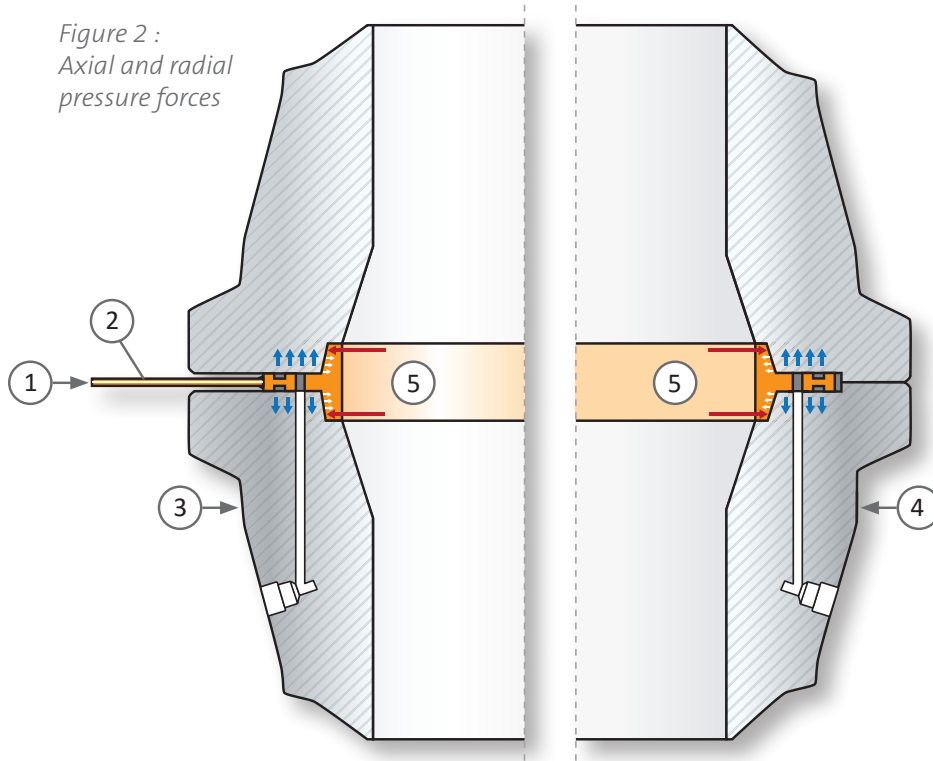


# Reverse Integrity Test Rings - How it works

non-recessed seat pocket

recessed seat pocket

Figure 2 :  
Axial and radial  
pressure forces



- NOTES :
- 1) pressure In
  - 2) test pipe
  - 3) external test port (optional)
  - 4) external test port
  - 5) seal contact forces