

8-Port Power over Ethernet (PoE)



SPECIFICATION

The 8-Port PoE Switch, sourced from Linksys and certified by Enlighted, powers up to seven Enlighted Gateways and provides data switching for the Enlighted IoT network.



OVERVIEW

Designed for business-class management, security, speed, and quality of services, the PoE Switch provides power and data from a single point using Power over Ethernet via a single CAT-5 or CAT-6 cable.

The eight PoE+ Gigabit ports can be used for any 10/100Mbps link, and all ports supply the latest industry-standard IEEE 802.3at power. The advanced auto-sensing algorithm gives power only to 802.3at end devices, ensuring no damage to proprietary PoE or non-PoE equipment. Also, the switch discontinues the power when PoE devices are disconnected. Easy and reliable, the device automatically determines PoE requirements, speed, duplex, and cable type.

8-Port PoE Switch

L	8.3"	210 mm
W	4.1"	104 mm
H	1.0"	25 mm
Weight	1.23 lbs	0.56 kg

TECHNICAL SPECIFICATIONS

Network Ports

- 8 PoE+ ports

Network Protocol and Standard

- IEEE 802.3i 10BASE-T
- IEEE 802.3u 100BASE-TX
- IEEE 802.3x Flow Control
- IEEE 802.3af PoE
- IEEE 802.3at PoE+

Performance Specifications

- Forwarding rates: 11.90 Mbps
- Switching capacity: 16 Gbps

Power Supply

- Total power consumption: 81.95 W max.
- Power dedicated to PoE+: 72 W
- Power Input: 100-240 V
50-60 Hz (1.5 A max.)

Environmental Specifications

- Operating temperature: 32° to 122° F
(0° to 50° C)
- Storage temperature: -40° to 158° F
(-40° to 70° C)
- Operating humidity: 10-90% relative humidity
- Storage humidity: 10-90% relative humidity,
non-condensing

Regulatory and Compliance

- FCC Part 15, sub-part B Class A
- CE Mark for commercial products
(EN 55022, EN 55024)
- Safety
(CE Mark certified to EN 60950-1)

ENLIGHTED SPECIFICATION SUBMITTAL

Job Name:

Job Number:

Product Code:

 SW-POE-8-8

8-Port Power over Ethernet (PoE)

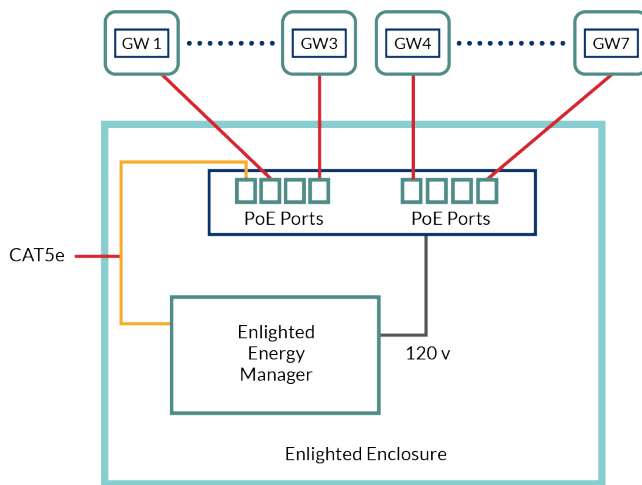
MOUNTING

The 8-Port PoE Switch is usually mounted in an electrical or telecom room in an Enlighted Enclosure with the Enlighted Energy Manager and a double duplex receptacle. RJ-45 connectors are included for the Enlighted system to connect to an IT network or on a building automation and control network.

WIRING & OPERATIONS

The LAN2/ETH1 port on the Enlighted Energy Manager is connected to one of the Ethernet ports on the PoE Switch.

WIRING



ORDERING INFORMATION

SW-POE-8-8: 8-Port PoE Switch

COMPLIANCE

Europe  RoHS  
 United States  
 Canada 

WARRANTY: 1 year