

Gateway

○ SPECIFICATION

The Enlighted Gateway is the intermediary device between the Enlighted Energy Manager and the Enlighted control network. The Gateway relays energy, environmental, and occupancy data captured by the Enlighted Smart Sensors to the Energy Manager for analysis and reporting. It also communicates configuration changes from the Energy Manager to sensors and other network devices.

OVERVIEW

The Enlighted Gateway (GW-2-01) aggregates wireless traffic between the network of Enlighted Smart Sensors and the Energy Manager. Each Gateway sends and receives data for up to 125 individual sensors. It uses the IEEE 802.15.4 protocol for wireless communication with the sensors and a wired TCP/IP network for communication with the Enlighted Energy Manager if it is located on-premise.

FEATURES

Data Security: AES 128-bit encryption for wireless data transmission and SSL encryption for TCP/IP data transmission enabled for data security.

Data Privacy: Data is transferred from the Enlighted sensors to the Energy Manager and is not stored in the Gateway.

Scalability: Each Gateway can individually support up to 125 individual sensors. System architecture enables effective scalability to very large applications.

Standards-based Communication Protocols: Use of industry-standard communication protocols provides robust and mature capabilities.

Operating Range: Each Gateway can operate at 150 ft. radius (46 m) open range in open ceiling installation, and individual sensor units can function as repeaters to extend operating range.



The Enlighted Gateway

L	3.01"	76.5 mm
W	4.01"	101.9 mm
H	1.38"	35.0 mm
Weight	4.23 oz	120 grams

ENLIGHTED SPECIFICATION SUBMITTAL

Job Name:

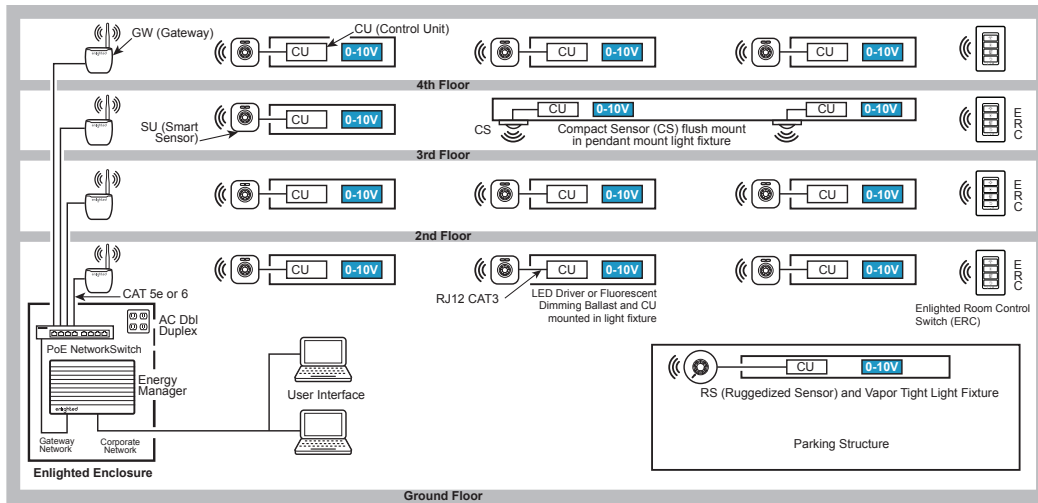
Job Number:

Product Code:

 GW-2-01

WIRING AND OPERATIONS

One or more gateways may be deployed on each floor to relay information between the sensors and the Enlighted Energy Manager. The Gateway device mounts to the ceiling at the same height as an individual sensor device. The antenna is then pointed down. CAT5e cable is run from the Enlighted Gateway to the Enlighted PoE switch (RJ-45 connector not shown).



TECHNICAL SPECIFICATIONS

- Radio Frequency: 2400–2483.5 MHz
- RF TX Output Power: 0 dBm (average)
- Wireless Protocol: IEEE 802.15.4 compliant
- Wireless Range: 150 ft. radius (46 m) open range
- Operating: 32° to 122° F / 0° to 50° C
- Connector Type: RJ-45
- Enclosure: Recyclable ABS
- Input Voltage: PoE / 48 V

ORDERING INFORMATION

GW-2-01 Enlighted Gateway

COMPLIANCE

- Europe: CE, RoHS, REACH
- United States: FCC, UL LISTED
- Canada: UL LISTED

WARRANTY: 5 years

View www.enlightedinc.com/limited-warranty-terms for complete terms and conditions