

Midrange Energy Manager



SPECIFICATION

The Enlighted Midrange Energy Manager, sourced from Lanner and certified by Enlighted, provides a secure web-based interface to monitor, manage, and analyze energy savings and other data collected by the Enlighted Smart Sensor network. The Energy Manager translates data from the sensor network into detailed energy, temperature, and occupancy insights around the clock.



OVERVIEW

The Midrange Energy Manager stores, performs analysis, and provides visual reporting of sensor data. In addition to being the collection point for energy, occupancy, and environmental data captured by the Enlighted Smart Sensors, the Energy Manager provides a web-based user interface for lighting system management and optimizing building system performance.

The Midrange Energy Manager (EM) manages up to 5000 individual sensors. It can also manage and control up to 7000 BACnet points, which are available for purchase through the Lighting BACnet software license.

FEATURES

Simplified Lighting Control Management: The EM configures and manages lighting behavior by adjusting software profiles while retaining lighting data for up to 36 months. It generates reports on lamp and fixture outages, carbon reduction, energy and financial savings.

Power Metering: By deploying various control strategies at individual fixture level, direct power metering provides data for comprehensive savings analysis.

Comprehensive Insight into Building System Performance: Automatic Demand Response (ADR) and Demand Response (DR) optimize operating costs and comply with energy efficiency and sustainability goals. Measure and identify under-utilized spaces by gaining insight into building usage patterns.

Standards-Based Communications Protocols: Industry-standard communication protocols provide robust and mature capabilities. REST-based APIs support GET and POST requests and XML, JSON responses. BACnet/IP enables integration between the Enlighted lighting network and Building Management System (BMS). The EM can turn on or off Bluetooth 4.0 Low Energy (BLE) beacons.

Data Security: AES 128-bit encryption for wireless data transmission and TLS encryption for TCP/IP along with the use of a 2048-bit certificate and SHA-256 Cipher enable the highest standards of Corporate Data Security requirements.

Data Privacy: The EM collects and stores occupancy data captured by the Enlighted sensors. The sensors cannot directly reference, distinguish, or identify any natural person. The user details such as login, logout events, IP address, first, last name, and application pages accessed by the user along with the organization's name, occupancy data, and floor plans are all stored in the midrange EM.

Flexible Deployment: The server can be installed on an IT Corporate network, dedicated Gateway network, or as a stand-alone system. The intuitive graphical user interface is accessible via a standard secure web browser, thus eliminating software downloading.

Title 24 Compliance: The Midrange Energy Manager simplifies the code compliance process by automatically setting profile parameter limits and automating certain tests that Title 24 requires. The software generates Title 24 compliance documents as the tests are evaluated and certified.

The Midrange Energy Manager

Width	8.30"	210 mm
Height	2.40"	60 mm
Depth	5.70"	144 mm

ENLIGHTED SPECIFICATION SUBMITTAL

Job Name:

Job Number:

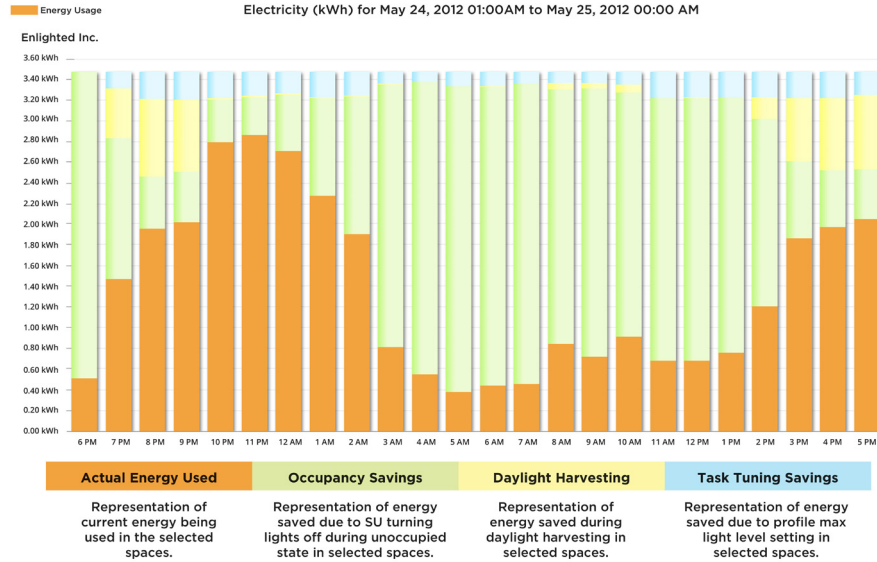
Product Codes:

 EM-2-03 EM-SW-1000 EM-SW-1 EM-ZNS-01

Midrange Energy Manager



ENERGY SAVINGS

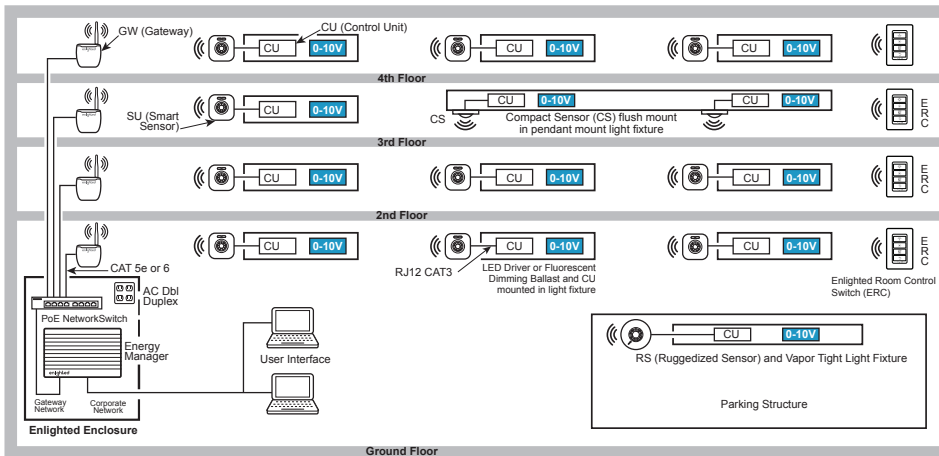


MOUNTING

The Midrange Energy Manager is usually mounted in an electrical or telecom room in an Enlighted Enclosure with the PoE and a double duplex receptacle. RJ-45 connectors are included for the Enlighted system to connect to the Corporate and Gateway network.

WIRING AND OPERATIONS

The Midrange Energy Manager has six Ethernet ports. Only LAN2/ETH1 and LAN1/ETH0 should be used. The Gateway network is connected from the LAN2 port to one of the Ethernet ports on the PoE Switch. The Corporate network is connected from the LAN1 port to the client's IT network or the client's local computer. The software that resides in the Energy Manager can be accessed securely via a web browser, thus eliminating the need for clients to download any software.



TECHNICAL SPECIFICATIONS

- Operating System: Linux-based
- Web Client: Chrome, IE 10+
- Security: TCP/IP Standards-based
- BACnet: BACnet/IP
- Operating: 32° to 140° F / 0° to 60° C
- Enclosure: Ruggedized aluminum
- Power Supply input: 90 V to 240 V, 38 W
- Power Supply output to EM: DC 12 V, 19 W

ORDERING INFORMATION

- EM-2-03 Midrange EM. Includes license for 1000 sensors. Allows addition of licenses to manage up to 5000 sensors.
- EM-SW-1000 Add-on License for 1000 Sensors
- EM-SW-1 Add-on License for one Sensor
- EM-ZNS-01 Add-on License for a Single Zone Sensor Occupancy.

COMPLIANCE

- Europe: CE, RoHS REACH
- United States: FCC, UL LISTED
- Canada: cUL LISTED

WARRANTY: 1 year