

Energy Manager



SPECIFICATION

The Enlighted Energy Manager provides a secure web-based interface to monitor, manage, and analyze energy savings and other data collected by the Enlighted Smart Sensor network. The Energy Manager translates data from the sensor network into detailed energy, temperature, and occupancy insights around the clock.



The Enlighted Energy Manager

Width	7.80"	198 mm
Height	1.65"	42 mm
Depth	5.71"	145 mm
Weight	2.64 lb	1.2 kg

OVERVIEW

The Energy Manager (EM) stores, performs analysis, and provides visual reporting of sensor data. In addition to being the collection point for energy, occupancy, and environmental data captured by the Enlighted Smart Sensors, the Energy Manager provides a web-based user interface for lighting system management and optimizing building system performance.

The EM manages up to 1500 individual sensors and controls up to 3,500 BACnet points, which are available for purchase through the Lighting BACnet software license.

FEATURES

Simplified Lighting Control Management: The EM configures and manages lighting behavior by adjusting software profiles while retaining lighting data for up to 36 months. It generates reports on lamp and fixture outages, carbon reduction, energy and financial savings.

Power Metering: By deploying various control strategies at individual fixture level, direct power metering provides data for comprehensive savings analysis.

Comprehensive Insight into Building System Performance: Automatic Demand Response (ADR) and Demand Response (DR) optimize operating costs and comply with energy efficiency and sustainability goals. Measure and identify under-utilized spaces by gaining insight into building usage patterns.

Standards-Based Communications Protocols: Industry-standard communication protocols provide robust and mature capabilities. REST-based APIs support GET, POST requests and XML, JSON responses. BACnet/IP enables integration between the Enlighted lighting network and Building Management System (BMS). The EM can turn on or off Bluetooth 4.0 Low Energy (BLE) beacons.

Data Security: AES 128-bit encryption for wireless data transmission and TLS encryption for TCP/IP along with the use of a 2048-bit certificate and SHA-256 Cipher enable the highest standards of Corporate Data Security requirements.

Data Privacy: The EM collects and stores occupancy data captured by the Enlighted sensors. The sensors cannot directly reference, or identify any natural person. The user details such as login, logout events, IP address, first, last name, and application pages accessed by the user along with the organization's name, occupancy data, and floor plans are stored in the EM.

Flexible Deployment: The server can be installed on an IT Corporate Network, dedicated Gateway Network, or as a stand-alone system. The intuitive graphical user interface is accessible via a standard secure web browser, thus eliminating software downloading.

Title 24 Compliance: The Energy Manager simplifies the code compliance process by automatically setting profile parameter limits and automating certain tests that Title 24 requires. The software generates Title 24 compliance documents as the tests are evaluated and certified.

ENLIGHTED SPECIFICATION SUBMITTAL

Job Name:

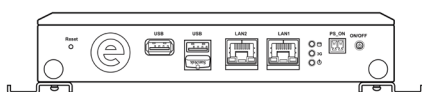
Job Number:

Product Codes:

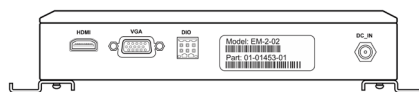
EM-2-02

EM-ZNS-01

ENCL-EM/FAN



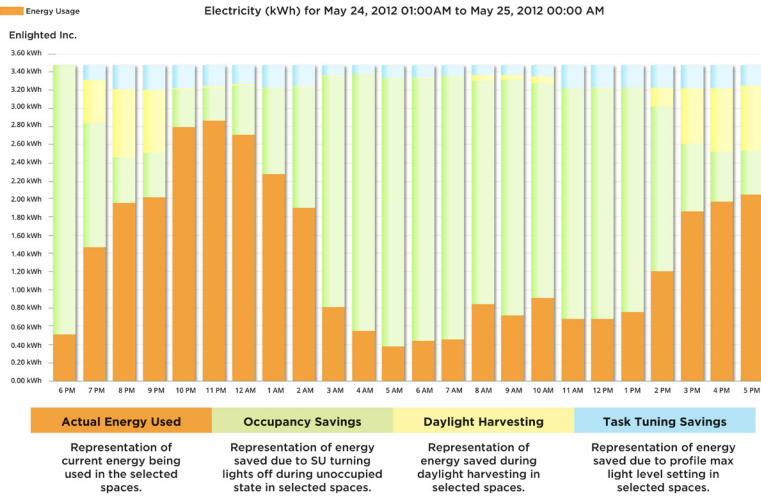
Front Panel



Rear Panel

Energy Manager

ENERGY SAVINGS

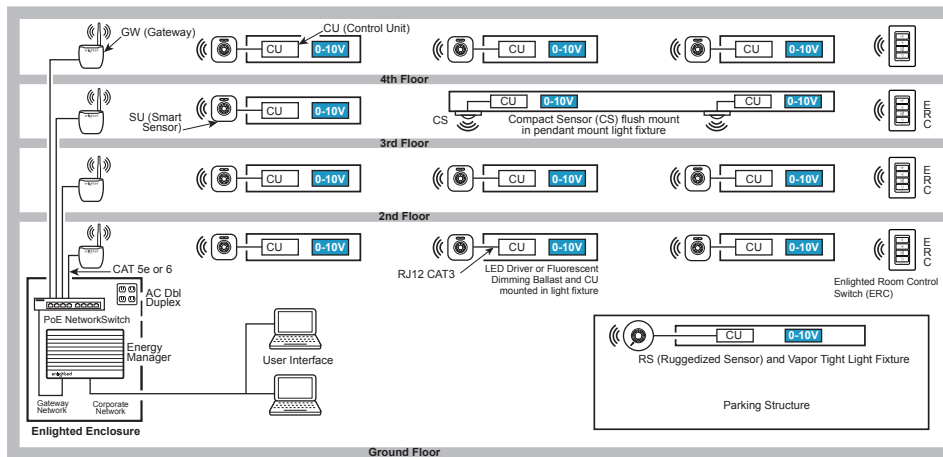


MOUNTING

The Energy Manager is usually mounted in an electrical or telecom room in the Enlighted Enclosure with the PoE and a double duplex receptacle. RJ-45 connectors are included for the Enlighted system to connect to the Corporate and Gateway Network.

WIRING AND OPERATIONS

The Energy Manager has two Ethernet ports: LAN2/ETH1 and LAN1/ETH0. The Gateway network is connected to one of the Ethernet ports on the PoE Switch. The Corporate network is connected to the client's IT network or the client's local computer. The software that resides in the Energy Manager can be accessed securely via a web browser, thus eliminating the need for clients to download any software.



TECHNICAL SPECIFICATIONS

- Operating System: Linux-based
- Web Client: Chrome, IE 10+
- Security: TCP/IP Standards-based
- BACnet: BACnet/IP
- Operating: 32° to 131° F / -0° to 55° C
- Enclosure: Ruggedized aluminum
- Power Supply input: 120/240 V 60 W
- Power Supply output to EM: DC 12 V, 19 W

ORDERING INFORMATION

- EM-2-02 Energy Manager. Includes license for 1000 sensors. Allows addition of licenses to support up to 1500 sensors.
- EM-ZNS-01 Add-on License for a Single Zone Sensor for Occupancy
- ENCL-EM/FAN Enclosure for EM and PoE Switch

COMPLIANCE

- Europe: CE, RoHS, REACH
- United States: FCC, UL LISTED
- Canada: UL LISTED

WARRANTY: 5 years
View www.enlightedinc.com/limited-warranty-terms for complete terms and conditions.



The Enlighted Enclosure

Width	20.18"	512 mm
Height	24.18"	614 mm
Depth	6.06"	154 mm