

Trailer Life Meter

The Trailer Life Meter is mounted directly over the axle. It measures the miles traveled by using a fixed ratio which is determined by tire size/rating, for example, 760 revolutions per mile for a typical ST205/75R15 tire.

The low profile, lightweight Trailer Life Meter provides an accurate count of mileage traveled for trailers and towable campers in an impact resistant housing. By keeping an accurate count, maintenance operations can be easily performed at the manufacturer's required intervals.

This product is ideally suited for tracking:

- Mileage-based maintenance intervals
- Mileage-based warranties
- Rental charges based on mileage

- Low profile design mounts within bulge of most tires!
- Fool-proof installation - records mileage in either direction
- Impact resistant materials
- Sealed, weatherproof design
- 25% lighter than closest competition

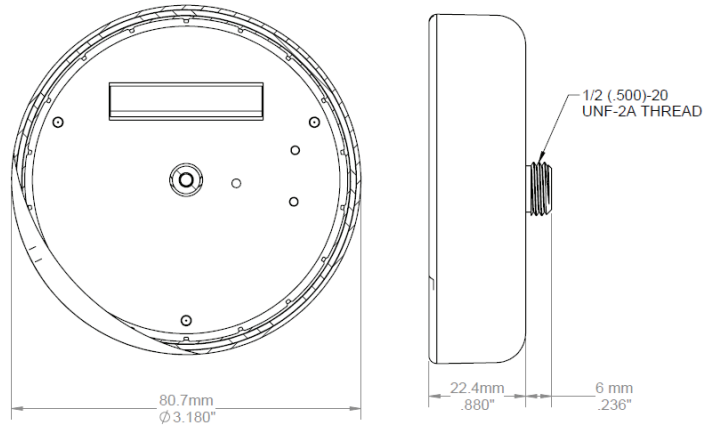


**Thinnest
Design
on the
Market**

Specifications

DISPLAY DIGITS	6
WEIGHT	.21kg
DEPTH	23mm
STUD LENGTH	6mm
IMPACT RESISTANCE	Very Good. Flexible Lexan
WARRANTY	500K
ACCURACY	+/- 2%

Dimensions



- Counts up when moving in forward or reverse
- Can be mounted on right or left side of trailer

Ordering Information

077 22 17 - 760 - TL

Thickness/Stud Length	
22	6mm, Short Stud
23	13mm, Long Stud

Units	
1	Mile
2	Kilometer

Ratio
Refer to Tire Size Chart

Customer Faceplate	
TL	Trailer Life Meter
VR	Veeder-Root
XX	Custom