



# plumbing drainage products

**ROOF  
DRAINS**

**CARRIERS AND  
CLOSET FITTINGS**

**INTERCEPTORS FOR  
WASTE MATERIALS**

**FLOOR DRAINS**

**SHOCK ABSORBERS  
FOR WATER HAMMER**

**CLEANOUTS**

**SWIMMING  
POOL EQUIPMENT**

**BACKWATER AND  
SEWER VALVES**

**Branch Office and Warehouse**

LOS ANGELES 23, CALIF.  
1258 South Boyle Ave.  
Tel. ANgelus 3-7108

**Branch Office and Warehouse**

SEATTLE 4, WASHINGTON  
2747 Fourth Avenue South  
Tel. MA 3-0545

## JOSAM PACIFIC CO.

SERVING THE WEST

Main Office and Factory  
765 FOLSOM STREET

SAN FRANCISCO 7, CALIFORNIA

Telephone: EXbrook 2-3143

**SALES OFFICES**

**Branch Offices**

PHOENIX, ARIZ. Tel. AM 6-9101  
PORTLAND, ORE. Tel. CA 2-5808  
SALT LAKE CITY, UTAH  
Tel. EL 5-9545  
SPOKANE, WASH. Tel. RI 7-5610  
BUTTE, MONTANA Tel. 2-1062  
HONOLULU, T. H. Tel. 65-402



# UNITRON CARRIERS

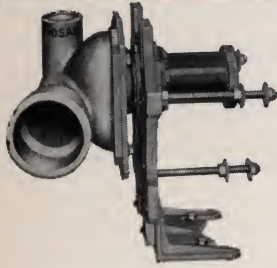
## with any type closet fitting for WALL-HUNG CLOSETS

### FEATURES

- (1) The UNITRON Closet Carrier fits all types of closet fixtures, blow-out or syphon jet, or women's urinals, regardless of the manufacturer. The reversible carrier feature permits this flexibility.
- (2) Instead of the carrier being attached directly onto the fitting as with other units, the Josam UNITRON Carrier is INDEPENDENT OF THE FITTING and therefore can be placed at any distance from the fitting. This arrangement provides for greater cantilever balance, and more flexible structural design.
- (3) The interior contour of Josam UNITRON Closet Fittings provides more direct flow in the direction of the main branch. Vertical adjustment reduces space requirement on the down position.

- (4) Location of vent on single fittings, and common vent on double fittings permits fitting to be placed closer to wall or even partly built in the wall, reducing pipe shaft.
- (5) The reversible foot on the carrier provides vertical adjustment from 3/4" to 3 1/4" to accommodate floor fill.
- (6) Double closet fittings for back-to-back installations have a common vent which is more efficient and permits greater flexibility of installation . . . provides savings in material and installation costs . . . permits closets to be loop or circuit vented.

Made in a wide variety of horizontal, vertical and "close" types. Typical designs are shown below.

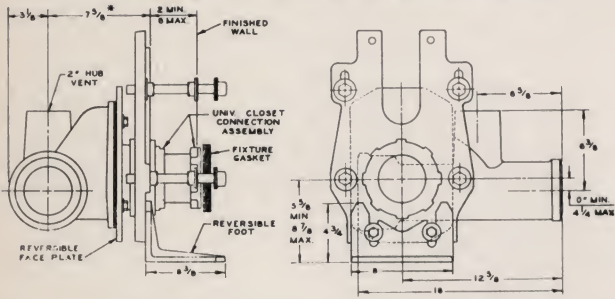


### SINGLE HORIZONTAL CLOSET CARRIER WITH FITTING

(Series No. C-720-W — left hand)  
(Series No. C-725-W — right hand)

Cast iron carrier and closet fitting for single battery installations of syphon-jet or blow-out type closet bowls. May be used with stack fittings on one story or multiple story buildings.

\*May vary ± 1/4"  $\phi$ Dimension shown is for syphon jet. Blow-out is 12 3/8" min. and 15 5/8" max.

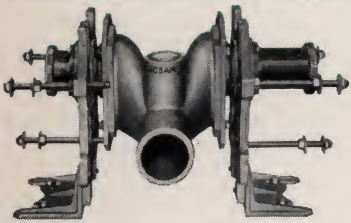
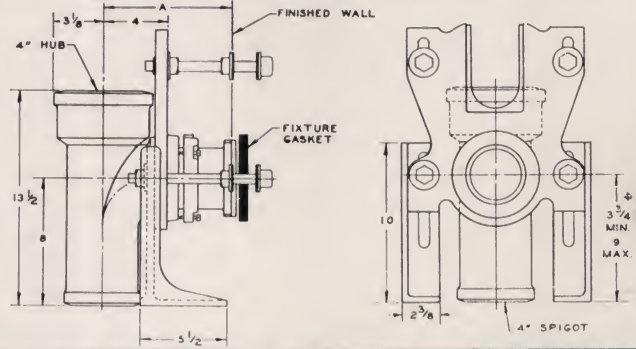


### "CLOSE" VERTICAL SINGLE

(Series C-858-W)

Cast iron carrier with closet fitting for single battery installation of syphon-jet or blow-out closet bowls. May be used as a stack fitting on one story or multiple story buildings.

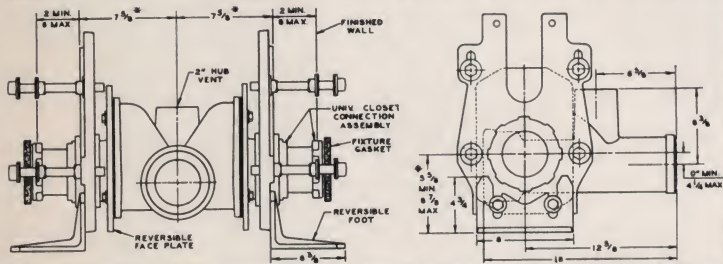
A — Specify the dimension from the center of stack to the finished wall.



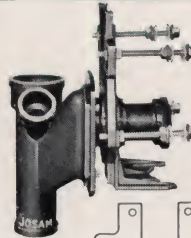
### DOUBLE HORIZONTAL CLOSET CARRIERS WITH FITTING

(Series No. C-715-W)

Cast iron carriers with double closet fittings for battery installations of syphon-jet or blow-out closet bowls in buildings where back-to-back closet vent fixtures are installed. The 2" common vent permits the most advantageous type of venting at lower cost.



\*May vary ± 1/4"  $\phi$ Dimension shown is for syphon jet. Blow-out is 12 3/8" min. and 15 5/8" max.

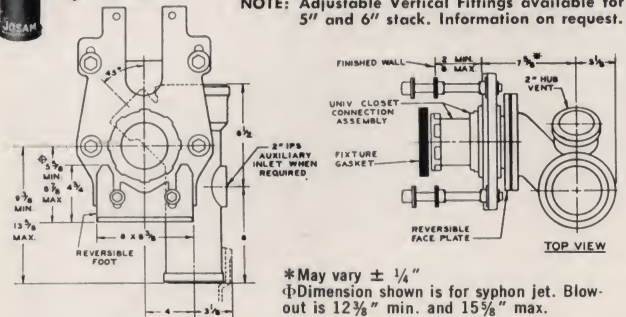


### SINGLE VERTICAL ADJUSTABLE CLOSET CARRIER WITH FITTING

(Series No. C-835-W)

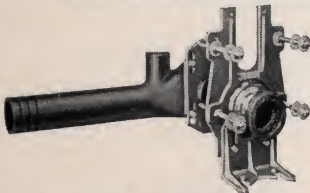
Cast iron carrier and closet fitting for single battery installations of syphon-jet or blow-out closet bowls. May be used as a stack fitting on one story or multiple story buildings.

NOTE: Adjustable Vertical Fittings available for 5" and 6" stack. Information on request.



\*May vary ± 1/4"  $\phi$ Dimension shown is for syphon jet. Blow-out is 12 3/8" min. and 15 5/8" max.

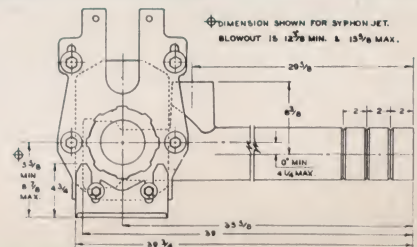
### SINGLE HORIZONTAL LONG BARREL CLOSET FITTING WITH CARRIER



C-740-W (Left Hand)  
C-745-W (Right Hand)

Cast iron carrier with single horizontal long barrel closet fitting with cut-off rings at the spigot to permit setting of closets on centers from 30" to 36".

For installation on horizontal battery runs to eliminate additional piping, alignment and caulking of extra connections.



$\phi$ DIMENSION SHOWN FOR SYPHON JET. BLOWOUT IS 12 3/8" MIN. & 15 5/8" MAX.

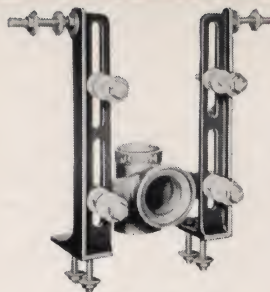
# for Wall-Hung Closets in RESIDENCES

## REZITRON CARRIERS



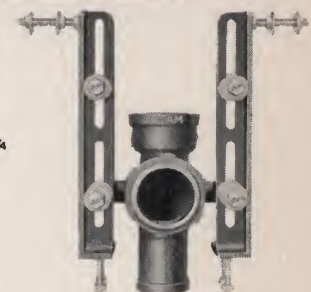
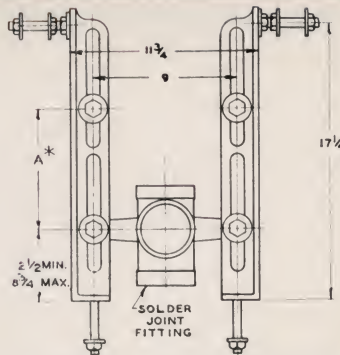
### FEATURES

- The carrier and fitting will fit into standard plumbing wall construction, whether it be 2 x 6 or 2 x 8 studding.
- The unit will fit any manufacturer's closet bowl with standard bolt centers.
- It has ample vertical adjustment for variations in sole plate and floor fill thickness.
- It can be located within standard stud center-to-center dimensions. It is 90 per cent supported from the floor and steadied by the wall, rather than solely wall supported. The "T" shaped design of the feet give the necessary strength with minimum weight.



Series No. C-010  
Josam "REZITRON" Carrier  
with Brass Fitting

No. C-010 coated cast iron Residential Closet Carrier with 3" solder joint vertical brass fitting with adjustable closet connection, complete with studs, nuts, washers, gasket, bolts and chrome plated trim.



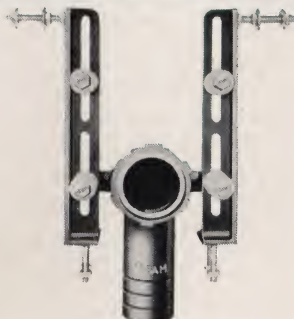
Series No. C-011

Same as C-010 except with 3" hub and spigot vertical cast iron fitting.

\* VARIABLE - DEPENDS ON FIXTURE.  
No. C-010

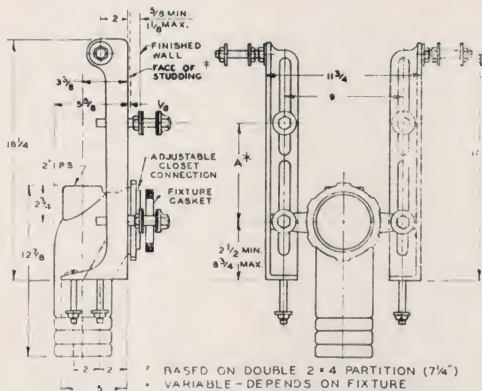
C-020. Same as C-011 except with a 4" hub and spigot fitting. Installed same as 3" fitting except a 2 x 8 or two 2 x 4 wall is required in place of a 2 x 6.

C-026. Same as C-011 except for back-to-back installation with 4" hub and spigot fitting.



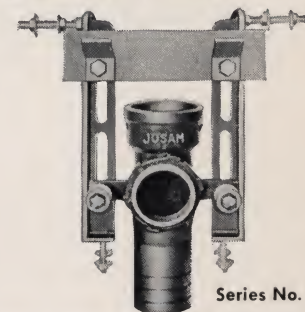
Series No. C-021

No. C-021 coated cast iron Residential Closet Carrier with 2" IPS and 4" spigot vertical fitting, with adjustable closet connection complete with studs, nuts, washers, gasket, bolts and chrome plated trim.



\* BASED ON DOUBLE 2 x 4 PARTITION (7 1/4")  
\* VARIABLE - DEPENDS ON FIXTURE

### HANGER TYPE RESIDENTIAL CLOSETS



Series No. C-020-H

Any Josam Residential Carrier can be furnished with a steel plate to adapt a standard residential carrier to a carrier for hanger type closet bowls. When specifying, add suffix "H" to Josam type number.

### ADAPTER TYPE RESIDENTIAL CLOSET CARRIER

FOR USE WITH ANY 3" OR 4" STANDARD CAST BRASS DRAINAGE FITTING OR FOR 4" LEAD CONNECTION.

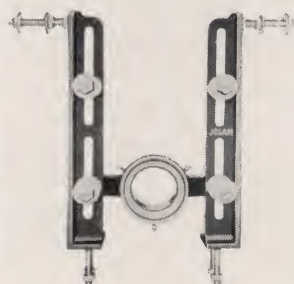
Josam "REZITRON" No. C-015 coated cast iron Residential Closet Carrier with adapter fitted with set screws to securely hold any 3" standard cast brass fitting (supplied by others), complete with adjustable closet connection, studs, nuts, washers, bolts and chrome plated trim. The plumbing contractor can decide the easiest, most economical method of installation. He need not put the stack in any specific location. He can use any cast brass drainage fitting with the 3" or 4" female soldered cup or 4" lead connection.

#### OTHER ADAPTER TYPE CARRIERS

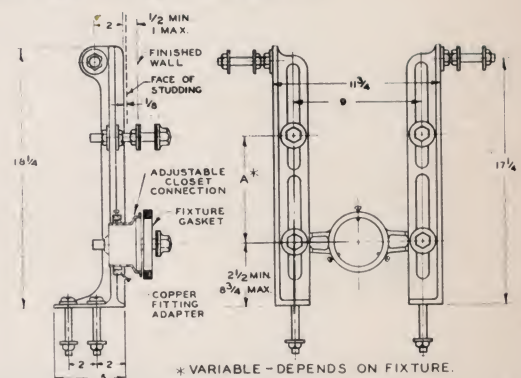
- C-017, Same as C-015 except for back-to-back installation for use with any 3" double sanitary cast brass T.
- C-018, Same as C-015 except for 4" lead connection.
- C-019, Same as C-015 except for any 4" standard brass drainage fitting.

#### STANDARD FITTINGS

Any 3" cast brass fitting applicable by code can be used with the No. C-015. Any 4" with C-019.



No. C-015 Josam "REZITRON" Adapter Fitting for 3" brass drainage fitting.



\* VARIABLE - DEPENDS ON FIXTURE.

No. C-015

### "UNITRON" CARRIERS FOR OTHER TYPES OF WALL-HUNG FIXTURES



No. C-300 Lavatory Carrier



No. C-314 Lavatory Carrier



No. C-323 Lavatory Carrier



No. C-226 Urinal Carrier



No. C-400 Sink Carrier



No. C-512 Sterilizer Carrier



## FLOOR DRAINS

# New Standards for Floor Drains in Sizing . . . Economy . . . Performance . . . Sanitation

### GREATER FLOW

Josam SUPER-FLO Floor Drains are designed with perimeter slots around the grate. These additional slots increase the free drainage area of the top permitting greater flow rate (GPM) into the drain body at any head. In SUPER-FLO Floor Drains, the waste water enters the drain body at the very edge of the drain top instead of flowing over the wide section generally surrounding slots or holes in standard type drains. Since waste water enters the perimeter slots first, friction loss is greatly reduced and the flow rate into the drain is greater than the flow rate into a standard drain of the same size top.

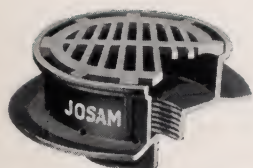
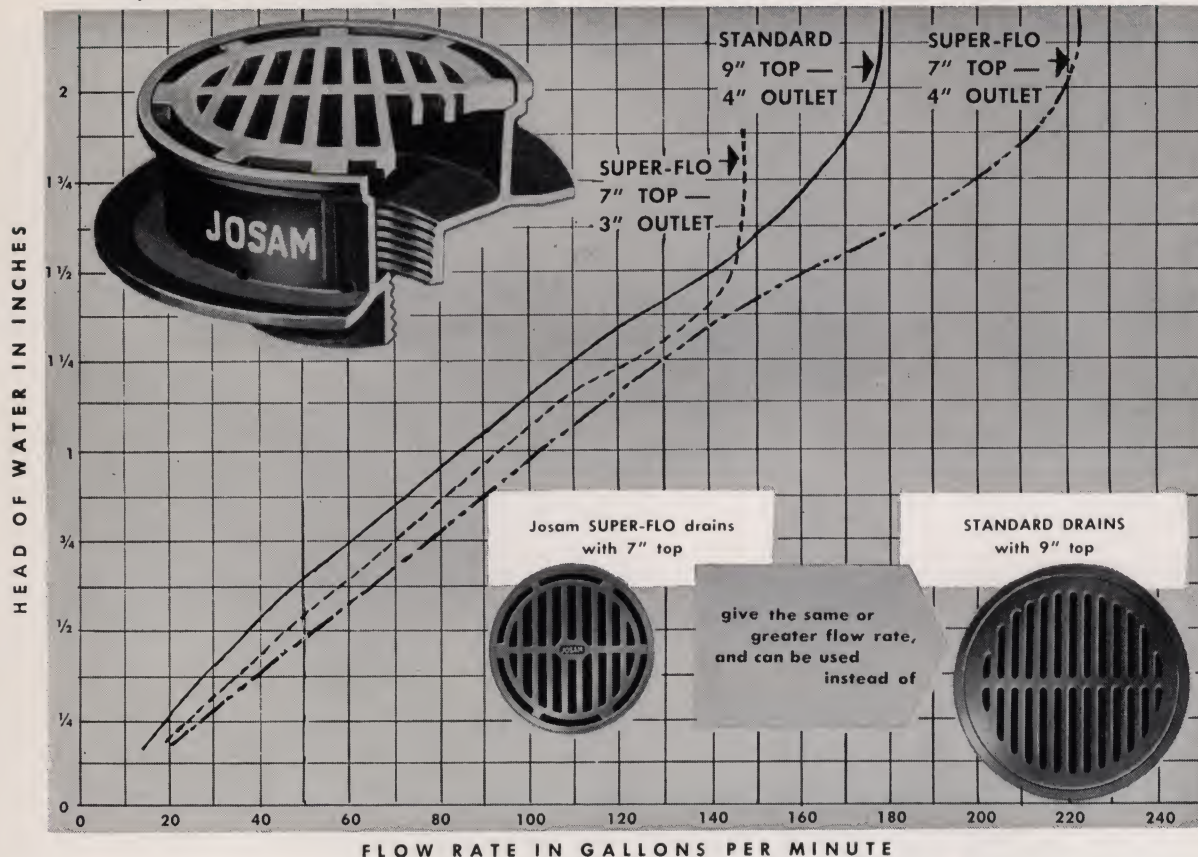
### SAVINGS IN COST

Because the increased flow rate in SUPER-FLO Drains permits the drainage of more GPM than standard type floor drains of the same size top or larger, a smaller top size Josam SUPER-FLO Drain can be installed to service the same condition as a larger top size standard floor drain.

For example, a 9" top standard type floor drain will permit 176 GPM, at 2" head, whereas a SUPER-FLO Floor Drain with a 7" top will permit 220 GPM at 2" head. It is very evident that a 7" top diameter Josam SUPER-FLO Drain, can be used instead of a 9" top standard drain, at a saving in cost!

### HIGHER EFFICIENCY IN COMPARISON TESTS

Comparison of Flow Rates of Josam Super-Flo Floor Drains with 7" and 9" Tops and a Standard Drain with 9" Top



Series No. 7000, 7020, 7040

No. 7000, cast iron "Super-Flo" floor drain with double drainage flange, 2"-4" outlet, 7" top and anti-tilting grate with perimeter drainage slots. Free drainage area 17 sq. in.

No. 7020, 9" top with 27 sq. in. free drainage area, and 2", 3", 4" outlet.

No. 7040, 13" top with 61 sq. in. free drainage area and 4", 5", 6" outlet.



Series No. 7300, 7320

No. 7300 cast iron "Super-Flo" area drain with 2"-4" threaded outlet, 7" top and anti-tilting grate with perimeter drainage slots. Free drainage area 17 sq. in.

No. 7320, 9" top with 27 sq. in. free drainage area, and 2"-4" outlet.

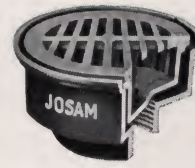


Series No. 7500, 7520, 7540

No. 7500, cast iron "Super-Flo", Non-clog Triple Drainage floor drain with double drainage flange, 2"-4" threaded outlet, 7" top and removable sediment bucket supporting grate with perimeter drainage slots. Free drainage area 11 sq. in.

No. 7520, 9" top with 16 sq. in. free drainage area, and 2"-4" outlet.

No. 7540, 13" top with 31 sq. in. free drainage area, and 4"-6" outlet.



Series No. 7700, 7720

No. 7700, cast iron "Super-Flo", Non-clog area drain with 7" top and removable sediment bucket supporting grate with perimeter drainage slots. 2"-4" threaded outlet. Free drainage area 11 sq. in.

No. 7720, 9" top with 16 sq. in. free drainage area, and 2"-4" outlet.

# "Leveze" Adjustable Top Drains

FLOOR and  
ROOF DRAINS



27a  
JO

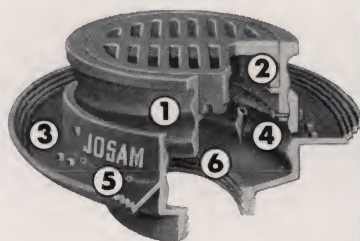
## LEVEZE FLOOR DRAINS with rolled thread adjustable top

In the LEVEZE Floor Drain, Josam provides an amazing design which solves construction and drainage problems caused by variations in floor levels.

When pouring concrete or similar floors, frequently high or low spots result. If the drain is at a high point, the water at this height will drain off, leaving small pools in the hollows of the floor.

To eliminate this problem the adjustable top of the Leveze Drain can be raised or lowered to proper elevation and the floor finish, while still "green" can be reworked toward the drain, or roughed up and additional finish applied.

In the same easy method, where a Josam Leveze Drain has originally been installed and the old floor is to be refinished with new covering, the Leveze Drain can be quickly adjusted to the new elevation. There is no need to cut the slab, disconnect drain, remove nipple, install new nipple, reconnect drain at proper elevation, impair structural strength and many other steps necessary with stationary top drains.



Series No's. 3610 and 3620

No. 3610, cast iron Leveze Floor Drain with double drainage flange, weepholes, 2"-4" threaded bottom outlet, adjustable collar with rolled thread and 9" round top with deep set tractor grate.

Series No. 3620, same except 1 1/8" top and 4"-6" outlet.

### FEATURES

1. Adjustable Collar with rolled thread is completely detachable from drain body and permits lowering or raising top to meet finished floor level, before or after the drain is set.
2. Deep set tractor grate, (Anti-tilting grate or non-clog sediment bucket, optional).
3. Double Drainage Flange serves as an anchor in concrete construction or for attaching waterproofing.
4. Set screw holds adjustable top in position while floor construction is applied.
5. Weepholes provide a safety factor by directing any seepage which might leak through floor around grate, back into the drain body.
6. Threaded outlet (Inside caulk bottom outlet or hub side outlet, optional).

Series No's. 3720 and 3740

Same as Series No. 3610 except with non-clog triple drainage feature which includes a perforated SEDIMENT BUCKET with grate that cannot be set in place unless bucket is in position.

Series No. 3710-B

Same as 3610 except with polished brass round rim and solid hinged top with key type locking mechanism attached underneath, and cast iron internal strainer.



Series No's. 3510 and 3520

Same as Series No. 3610 except with loose set ANTI-TILTING grate.



Series No. 3720  
With Shallow Bucket

Series No. 3740  
With Medium Bucket



TAMPER-PROOF DRAIN

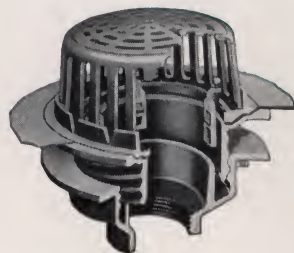
Series No. 3710-B

## LEVEZE ROOF DRAINS

The same adjustable top, rolled thread design of Josam Leveze Floor Drains, has been incorporated in Josam Roof Drains. Adjustable top permits raising or lowering the roof flange to meet the required insulation thickness, even after the leader has been installed and the roof laid.

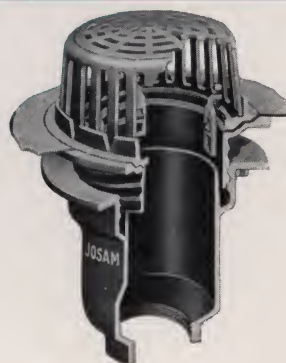
Where a finished roof level must be raised or lowered for any reason, with the stationary top drain it is necessary to cut the roof finish and disturb the drain body and leader connection, thereby undermining the strength of the roof deck. With the Leveze Adjustable Top roof drain, all that is necessary is to loosen the clamping device, melt the sealing material holding the collar, and raise or lower the adjustable collar to the desired height, reseal, and apply the new roof finish.

A few of the Leveze design roof drains are indicated at the right.



Series No. 4550

Series No. 4550 Cast Iron Leveze Roof Drain with large sump and roof flange integral with adjustable collar with rolled thread, 2" to 6" threaded bottom outlet, removable dome, anchor flange, non-puncturing flashing clamp device with integral gravel stop, adjustable clamping posts with brass screws.



Series No. 4570

### TORRENTIAL TYPE ROOF DRAIN

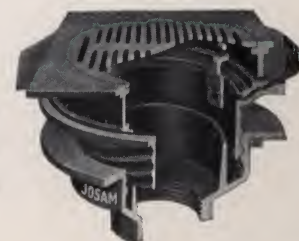
Series No. 4570

Series No. 4570 same as Series No. 4550 except with excessive holding capacity in sump which permits large quantities of water to be drained off roof and held in sump before entering the leader.

For installation on flat roofs of any construction in localities subject to heavy rains, or torrential storms.

Series No. 4580

Series No. 4580 same as Series No. 4550 except with square promenade top and loose-set round grate.



Series No. 4580



# FLOOR and ROOF DRAINS

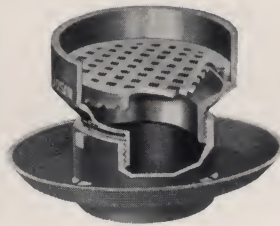
## a type for every drainage condition and location

### FLOOR DRAINS



SERIES NO. 200-35C

Cast iron floor drain with integral drum type "P" trap, double drainage flange and weepholes, 1 1/2 - 4" threaded outlet with non-clog strainer having a removable sediment bucket. Eliminates clogging of line and prevents jewelry and other small objects being lost in waste line.



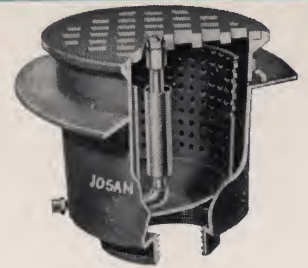
SERIES NO. C-300-E1

Cast iron floor drain with double drainage flange and weepholes, 1 1/2" to 4" threaded outlet and cast brass strainer with extended rim to take drip or other waste from ice box or similar fixtures. Avoids splashing where faucet is located high above drain.



SERIES NO. 610

Josam Series No. 610, cast iron floor drain with double drainage flange and weepholes, 2"-4" female threaded outlet, 8 3/4" round top and deep set tractor grate for locations subject to heavy trucking and traffic.



SERIES NO. 5380  
GARBAGE CAN WASHER DRAIN  
Cast iron garbage can wash drain with double drainage flange and weepholes, heavy duty grate, 3" to 6" threaded or caulk outlet, round perforated copper sediment bucket with solid bottom, and spray nozzle assembly. Provides efficient sanitary method for washing garbage cans, kettles, pots and other large receptacles.



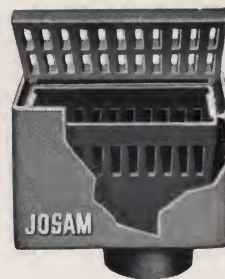
SERIES NO. 680-V

Cast iron floor drain with double drainage flange and weepholes, 2"-4" bottom outlet, deep set tractor grate, and brass vertical swing backwater valve in drain head.



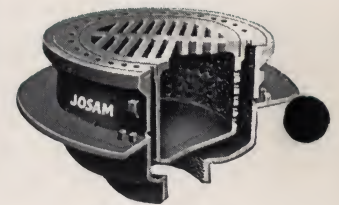
SERIES NO. 850-V

Cast iron floor drain with round top, loose set grate, threaded brass oversize cleanout flush with floor, 2"-4" spigot outlet and vertical swing brass backwater valve caulked into trap.



SERIES NO. 5040

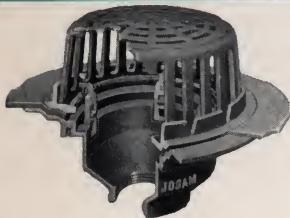
Cast iron rectangular floor drain with rectangular hinged grate. 2"-6" threaded bottom outlet and removable slotted sediment bucket.



SERIES NO. 5440

Cast iron non-clog triple drainage floor drain with double drainage flange and weepholes, 2"-6" bottom outlet, removable perforated sediment bucket with auxiliary drainage rim so designed that grate cannot be set in place unless bucket is in position.

### ROOF DRAINS



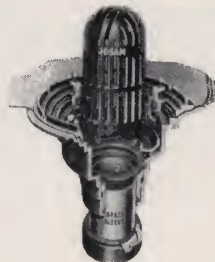
SERIES No. 4110

Cast iron roof drain with large sump and flange, 2"-8" threaded bottom outlet, non-puncturing flashing clamp device with integral gravel stop and removable mushroom type dome for exceptionally large drainage areas.



SERIES No. 4010

Same as Series No. 4110 except with square top fastened to clamping collar, and loose set round flat grate, for promenade deck.



SERIES No. 4210

Cast iron roof drain with large sump and flange, 2"-8" threaded outlet, removable combined high dome and sediment cup, double reverse wedge non-puncturing flashing clamp device integral with gravel stop, and cast iron integral expansion joint with brass sleeve.



SERIES NO. 7780

Cast iron deck drain, 2" to 4" threaded or caulk outlet, for use on promenade decks and other roof areas where Dex-O-Tex or similar roofing material is used. The 4" wide flange permits sufficient bearing surface for attaching the water-proofing material. Sediment bucket prevents entry of debris into leader and flat grate cannot be placed in drain body unless bucket is in position.

a size and type for every condition and location

**INTERCEPTORS**  
FOR HAZARDOUS  
WASTE MATERIALS



There are numerous types of commercial and industrial wastes. However, the more common types that cause trouble and inconvenience are the materials listed in the following table.

✓ **CHECK-LIST of**  
**Josam INTERCEPTORS**



This check list of Interceptors is a helpful guide in selecting the proper type interceptor to control specific waste materials. First, determine the type of waste materials to be controlled. Then follow the check marks for the various types of interceptors recommended.

TYPE OF WASTE MATERIAL	TYPES OF INTERCEPTORS																						
	Series No.	GA	GNC	GRC	GX	H-10	H-20	H-30	H-40	H-70	H-80	H-90	JA	JH	JHL	JHR	JHX	JLA	JNC	JRC	JX	PH	
Benzine		✓	✓	✓	✓																		
Cutting Oils		✓	✓	✓	✓																		
Fats														✓	✓	✓	✓	✓	✓	✓	✓	✓	✓
Gasoline		✓	✓	✓	✓																		
Gauze						✓	✓	✓	✓			✓											
Glass Grindings									✓			✓											
Gravel						✓	✓	✓		✓	✓												
Grease														✓	✓	✓	✓	✓	✓	✓	✓	✓	✓
Hair						✓	✓	✓		✓	✓												
Jewels						✓	✓	✓	✓			✓											
Kerosene		✓	✓	✓	✓																		
Lint						✓	✓	✓		✓	✓												
Lubricating Oil		✓	✓	✓	✓																		
Naphtha		✓	✓	✓	✓																		
Oil		✓	✓	✓	✓																		
Paraffin														✓					✓	✓	✓	✓	✓
Plaster								✓	✓			✓											
Precious Metals						✓	✓	✓	✓			✓											
Quench Oil		✓	✓	✓	✓																		
Rouge									✓			✓											
Rubber Grindings									✓			✓											
Sand						✓	✓	✓		✓	✓												
Sediment						✓	✓	✓		✓	✓												
Wax														✓					✓	✓	✓	✓	✓

INTERCEPTORS FOR ALL TYPES OF WASTE MATERIALS



SERIES NO. JH

SERIES NO. JA

SERIES NO. JLA

SERIES NO. JX

SERIES NO. JNC

SERIES NO. JRC

SERIES NO. PH

SERIES NO. H-20

SERIES NO. H-30



SERIES NO. GA

SERIES NO. GNC

SERIES NO. GRC

SERIES NO. GX

SERIES NO. H-40

SERIES NO. H-70

**WRITE FOR MANUAL "W"**  
**ON INTERCEPTION OF**  
**WASTE MATERIALS**



# PLUMBING SPECIALTIES

## SHOCK ABSORBERS

Josam Shock Absorbers eliminate "water hammer" in new or old construction wherever there is a constant turning "on" and

### COMMERCIAL

Pumps and Filters in Swimming Pools

Laundry Mechanical Equipment

Drinking Fountains

Quick-closing Shower Valves and Mixers

Batteries of Closets and Urinals

Group Fixtures such as Sinks, Dishwashers, Steam Cookers, Hospital Sterilizers, Pump Discharge Lines, Water Softeners, Dough Mixing Machines.

Write for Shock Absorber Manual "S"



Series No. 1480

## BACKWATER VALVES

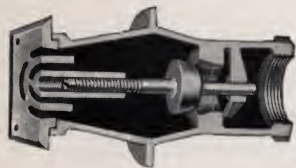


SERIES No. 1170

Water and sewage which backs up from the street and sewers and floods basements through plumbing fixtures or floor drains, causes untold damage to property, equipment and merchandise. To prevent the occurrence of this damage, Josam Sewer Valves give positive protection. The sensitivity of the valve mechanism causes the flap to close with the slightest backflow, preventing entry of any backwater or sewage into drain line. Made in inlet and outlet sizes 2" to 30".

Write for Backwater Manual "BW"

## SWIMMING POOL FITTINGS



SERIES NO. 0730-B  
Supply Fitting with Flow Control Valve

A complete line of Swimming Pool Drainage Fittings for regular or Water Level Deck type pools.

Write for Manual SP-7

shutting "off" of the water flow in Schools, Laundries, Theatres, Industrial Plants, Apartments, Hotels, Office Buildings,

### RESIDENTIAL

#### JOSAM "GENIE" RESIDENTIAL SHOCK ABSORBER

GUARANTEED FOR 10 YEARS

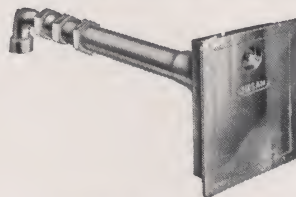
Eliminates "water hammer" in residential construction where there is a constant turning "on" and shutting "off" of the water flow from:

- Quick-closing Shower Valves
- Flush Valves
- Lavatory Faucets
- Dishwashers
- Automatic Laundry Equipment
- Automatic Sprinklers



Series No. 1470

## NON-FREEZE WALL HYDRANTS



SERIES NO. 1410-N

Josam Series No. 1410-N, cast bronze non-freeze wall hydrant with 3/4" hose connection, polished face, galvanized wall sleeve, renewable Nylon seat, brass operating parts, ground joint union elbow adapter with 3/4" Male IPS (or 3/4" solder) and T handle key.

Series 1400-N Exposed Nozzle Wall Hydrant. Same as above except without flush wall-type box enclosure.

Write for Wall Hydrant Manual "HY"

## CLEANOUTS



SERIES NO. Y-300

There are hundreds of different cleanouts and access covers in the Josam line, each designed for a particular purpose or location. Get the complete details for ready reference.

Write for Cleanout Catalog "CL"

## Josam Representatives cover the world

City and State	Representatives
ALBANY, N. Y.	J. A. WALSH & CO.
*ATLANTA, GA.	BRADFORD SALES CO. INC.
BALTIMORE, MD.	R. B. FULTON CO.
BIRMINGHAM, ALA.	J. J. VENABLE, JR.
*BOSTON, MASS.	R. LOUIS TUCKER
BUFFALO, N. Y.	ROBERT E. GRIMM
CHARLESTON, W. VA.	J. A. BAILEY SALES CO.
CHARLOTTE, N. C.	BRADFORD SALES CO. INC.
CHATTANOOGA, TENN.	L. M. FLANARY
CHICAGO, ILL.	SULLIVAN & LOVE
CINCINNATI, OHIO	CORCORAN-ORTH CO.
*CLEVELAND, OHIO	B. W. A. CO.
*COLUMBUS, OHIO	B. W. A. CO.
*DALLAS, TEXAS	J. P. DILLARD & ASSOCS.
DAYTON, OHIO	B. W. A. CO.
DENVER, COLORADO	ROATH-BIGGS, INC.
DES MOINES, IOWA	PRODUCTS, INC.
DETROIT, MICH.	ELMO G. LIDDLE
GRAND RAPIDS, MICH.	J. R. THOMAS
HARRISBURG, PA.	K. E. HOLLOWAY
HARTFORD, CONN.	RAY J. YOST ASSOC.
HOUSTON, TEXAS	R. B. ARNOLD
INDIANAPOLIS, IND.	CORCORAN-PINDELL CO.
JACKSON, MISS.	CORRIGAN CO.
JACKSONVILLE, FLA.	B. W. JACK
KANSAS CITY, KANSAS	RIVARD SALES CO., INC.
LITTLE ROCK, ARK.	CORRIGAN CO.
LONG ISLAND CITY	BORIN, FRANKEL & deLISSER
MEMPHIS, TENN.	CORRIGAN CO.
MIAMI, FLA.	NORMAN ASCHER & ASSOCS., INC.
MILWAUKEE, WIS.	STICKLER & DOWNS, INC.
MINNEAPOLIS, MINN.	O'HARA & VACHON
NASHVILLE, TENN.	SOUTHERN SALES CO.
*NEWARK, N. J.	J. A. MALONEY & ASSOCS.
NEW ORLEANS, LA.	JOS. TANET
NEW YORK, N. Y.	See "Long Island City"
OKLAHOMA CITY, OKLA.	M. F. FISHELL
OMAHA, NEBR.	VERNE SIMMONDS CO.
PHILADELPHIA, PA.	WALL & HOLLOWAY, INC.
PITTSBURGH, PA.	DENK & STEWART
RICHMOND, VA.	TAYLOR, LIPSCOMB & APPEL, INC.
ST. LOUIS, MO.	J. S. MALONE & ASSOCS., INC.
*SYRACUSE, N. Y.	JOS. A. WALSH & CO.
TAMPA, FLA.	NORMAN ASCHER & ASSOC., INC.
TOLEDO, OHIO	B. W. A. CO.
WASHINGTON, D. C.	BARNETT & BENNER

\*JOSAM WAREHOUSES AND SERVICE CENTERS

## PACIFIC TERRITORY

Serving the West  
JOSAM PACIFIC CO.

Main Office and Factory

765 Folsom Street

\*San Francisco 7, California

Representatives in

LOS ANGELES, CALIF.	SPOKANE, WASH.
SEATTLE, WASH.	BUTTE, MONT.
PHOENIX, ARIZ.	HONOLULU, T. H.
PORTLAND, ORE.	SALT LAKE CITY, UTAH

ALASKA — CALL SEATTLE  
WEST TEXAS, NEW MEXICO — CALL PHOENIX  
IDAHO — CALL NEAREST OFFICE  
SAN DIEGO — CALL LOS ANGELES

## MEXICO

JOSAM-HELVEX PRODUCTS  
HELVEX, S. A.

Ing. Jorge Barabá Z.

Nardo 232, Colonia Santa Maria,  
Mexico 4, D.F.

Tel. 47-62-96 and 47-68-74

## FOREIGN

DAYTON PRICE & CO., LTD.

Ambard Division

Export Managers

1 Park Avenue, New York 16, New York

Representatives in

ALL FOREIGN COUNTRIES EXCEPT  
CANADA, BRITISH EMPIRE, MEXICO,  
ALASKA AND HAWAII

# JOSAM PACIFIC CO.

765 FOLSOM STREET

SAN FRANCISCO 7, CALIFORNIA





# PLUMBING SPECIALTIES

## SHOCK ABSORBERS

Josam Shock Absorbers eliminate "water hammer" in new or old construction wherever there is a constant turning "on" and

shutting "off" of the water flow in Schools, Laundries, Theatres, Industrial Plants, Apartments, Hotels, Office Buildings,

### COMMERCIAL

Pumps and Filters in Swimming Pools

Laundry Mechanical Equipment

Drinking Fountains

Quick-closing Shower Valves and Mixers

Batteries of Closets and Urinals

Group Fixtures such as: Steam Cookers, Hospital Discharge Lines, Water Mixing Machines.

Write for Shock Absorbers

### RESIDENTIAL

JOSAM "GENIE"

Digitized by



ASSOCIATION FOR PRESERVATION TECHNOLOGY, INTERNATIONAL  
[www.apti.org](http://www.apti.org)

BUILDING TECHNOLOGY HERITAGE LIBRARY

<https://archive.org/details/buildingtechnologyheritagelibrary>

From the collection of:

Mike Jackson, FAIA

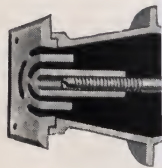


SERIES N

Water and sewage in the street and sewer vents through plumbing drains, causes untold equipment and merchant the occurrence of the Sewer Valves give positive sensitivity of the valve flap to close with flow, preventing entry sewage into drain line outlet sizes 2" to 30".

Write for Backwater

### SWIMMING POOL



SERIES NO. 0730-B  
Supply Fitting with Flow Control Valve

A complete line of Swimming Pool Drainage Fittings for regular or Water Level Deck type pools.

Write for Manual SP-7

SERIES NO. Y-300

There are hundreds of different cleanouts and access covers in the Josam line, each designed for a particular purpose or location. Get the complete details for ready reference.

Write for Cleanout Catalog "CL"

JOSAM PACIFIC CO.  
765 FOLSOM STREET  
SAN FRANCISCO 7, CALIFORNIA

## Josam Representatives cover the world

City and State	Representatives
ALBANY, N. Y.	J. A. WALSH & CO.
*ATLANTA, GA.	BRADFORD SALES CO. INC.
BALTIMORE, MD.	R. B. FULTON CO.
BIRMINGHAM, ALA.	J. J. VENABLE, JR.
*BOSTON, MASS.	R. LOUIS TUCKER
BUFFALO, N. Y.	ROBERT E. GRIMM
CHARLESTON, W. VA.	J. A. BAILEY SALES CO.
CHARLOTTE, N. C.	BRADFORD SALES CO. INC.
CHATTANOOGA, TENN.	L. M. FLANARY
CHICAGO, ILL.	SULLIVAN & LOVE
CINCINNATI, OHIO	CORCORAN-ORTH CO.
*CLEVELAND, OHIO	B. W. A. CO.
*COLUMBUS, OHIO	B. W. A. CO.
*DALLAS, TEXAS	J. P. DILLARD & ASSOCS.
DAYTON, OHIO	B. W. A. CO.
DENVER, COLORADO	ROATH-BIGGS, INC.

DUCTS, INC.  
MO G. LIDDLE  
R. THOMAS  
E. HOLLOWAY  
Y J. YOST ASSOC.  
B. ARNOLD  
CORCORAN-PINDELL CO.  
ORRIGAN CO.  
W. JACK  
VARD SALES CO., INC.  
ORRIGAN CO.  
ORIN, FRANKEL  
& deLISSER  
ORRIGAN CO.  
DRMAN ASCHER  
& ASSOCS., INC.  
ICKLER & DOWNS, INC.  
HARA & VACHON  
SOUTHERN SALES CO.  
A. MALONEY & ASSOCS.  
S. TANET  
e "Long Island City"  
F. FISHELL  
ERNE SIMMONDS CO.  
ALL & HOLLOWAY, INC.  
INK & STEWART  
YLOR LIPSCOMB  
& APPEL, INC.  
S. MALONE  
& ASSOCS., INC.  
S. A. WALSH & CO.  
DRMAN ASCHER  
& ASSOC., INC.  
W. A. CO.  
ARNETT & BENNER  
SERVICE CENTERS

### TERRITORY

West  
IFIC CO.  
d Factory  
Street  
California  
ives in  
OKANE, WASH.  
TTE, MONT.  
NOLULU, T. H.  
LT LAKE CITY, UTAH  
L SEATTLE  
CO - CALL PHOENIX  
AREST OFFICE  
LOS ANGELES

PRODUCTS  
S. A.  
rbará Z.

La Santa Maria,  
Mexico 4, D.F.  
Tel. 47-62-96 and 47-68-74

### FOREIGN

DAYTON PRICE & CO., LTD.  
Ambard Division  
Export Managers  
1 Park Avenue, New York 16, New York

Representatives in  
ALL FOREIGN COUNTRIES EXCEPT  
CANADA, BRITISH EMPIRE, MEXICO,