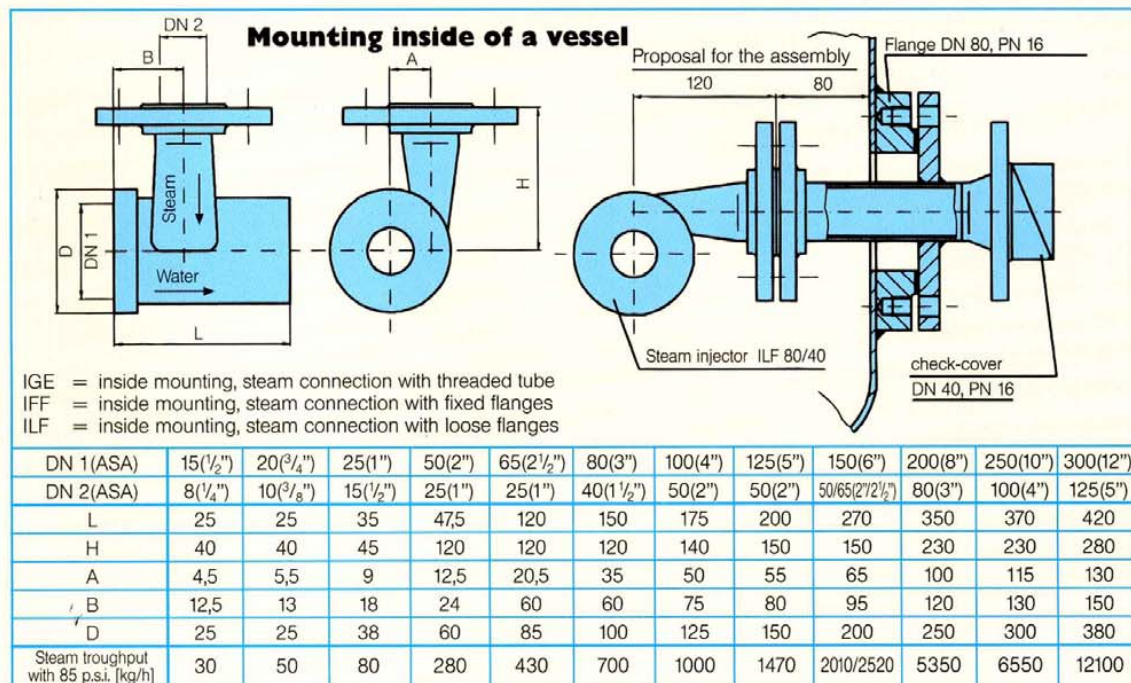
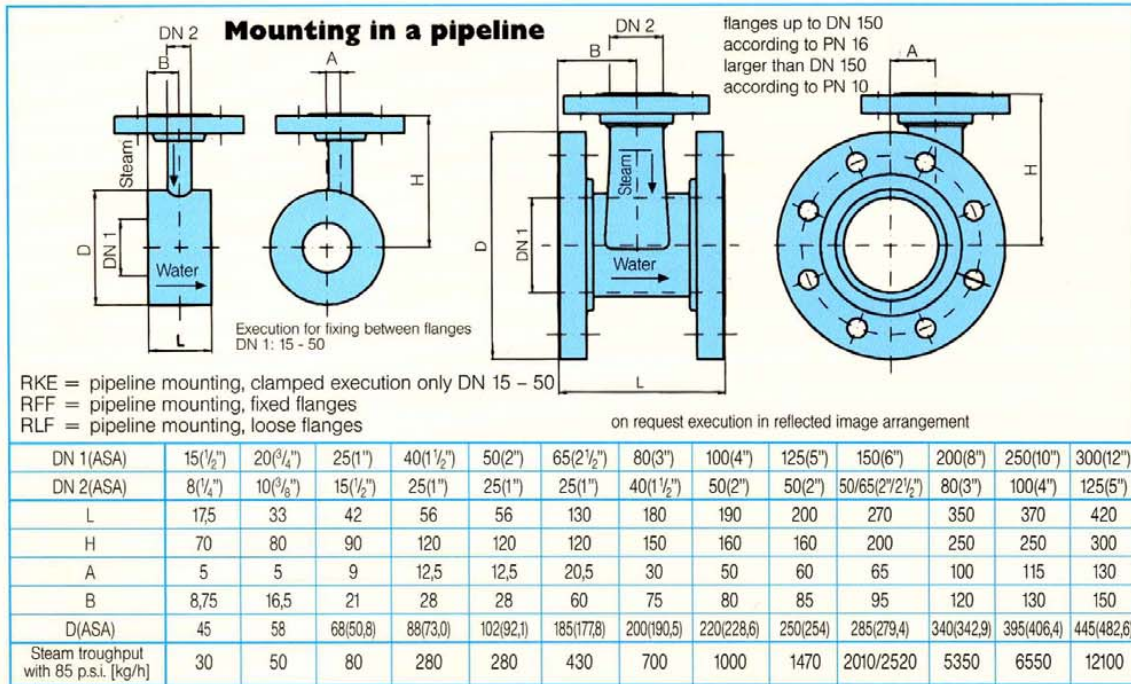


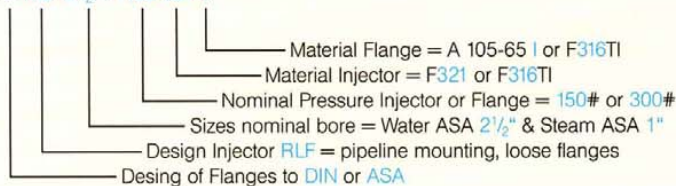
## Main measurements Steam injectors/Mixing nozzles



### Order-example:

1 steam injector for watercounter ASA 2 1/2" and steamcounter ASA 1" with loose flanges, nominal pressure 150#material Injector = 1.4541 (F321), material Flanges carbon steel (c.s.) acc. ASTM

Typ RLF 2 1/2"/1"150# **order No.** = A-RLF-2 1/2"/1"-150-321-1



Information may be subject to change without notice.