

Weigh Module

FEATURES

- Capacity range: 1, 2, 5, 10, 20, 50, 100, and 200 kN (225, 450, 1.12K, 2.25K, 4.5K, 11.2K, 22.4K, and 44.9K lb)
- Easy installation
- Moveable load point
- Withstands very high lateral forces
- Extremely accurate and rugged
- ATEX and IECEx certified for hazardous locations



APPLICATIONS

- Silo/bin/hopper inventory weighing systems
- Mixing and blending tanks
- Force measurement systems
- Conveyors

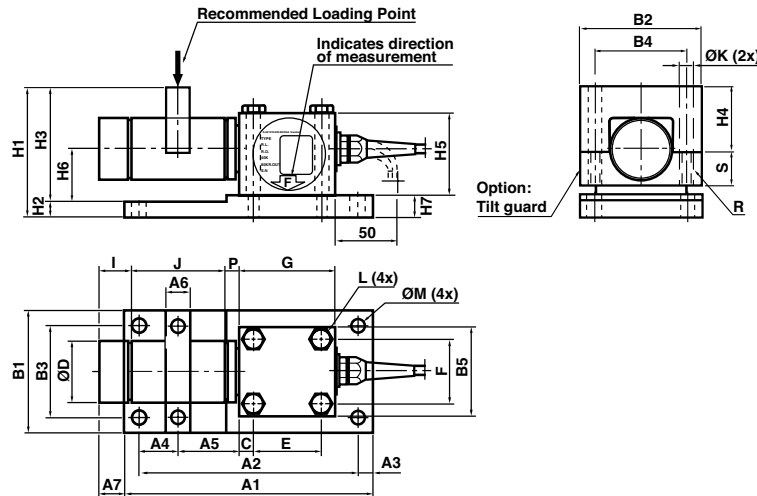


DESCRIPTION

The KIS-8 load cell has several features that distinguish it from other load cells. It is easy to install and extremely accurate, even when subjected to disruptive industrial

forces and harsh environmental conditions. All KIS load cells can be ATEX and IECEx certified for use in explosive atmospheres.

OUTLINE DIMENSIONS



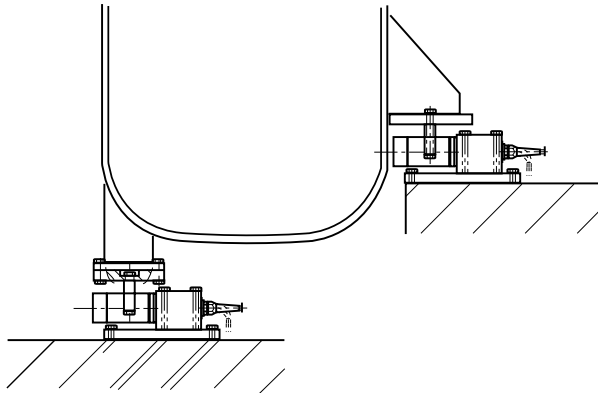
RANGE kN	A1	A2	A3	A4	A5	A6	A7	B1	B2	B3	B4	B5	C	ØD	E	F	G
1-2	175	151	12	31	31	19	-6	75	70	51	55	48	14	33	54	39	78
5-10-20	204	180	12	32	50	19	21	100	100	76	75	73	12	50	56	53	79
50	280	245	17.5	46.5	65	28	21	150	150	115	115	97	14	75	72	72	97
100	310	270	20	63	65	40	22	170	160	130	126	118	15	90	78	88	108
200	340	300	20	71	65	50	37	180	190	140	146	132	16	100	92	96	128

RANGE kN	H1	H2	H3	H4	H5	H6	H7	I	J	ØK	L	ØM	P	Circlip (2x)	R	S
1-2	81	14	67	41	48	27.5	14	22	30	8.5	M6 x 60	11	16	32 x 1.5	M8	19
5-10-20	107.5	18	89.5	54	68	38.5	18	26.5	77	11	M10 x 80	12	11.5	50 x 2	M10	27
50	152	28	124	72	94	54.5	28	36	98	18	M12 x 110	15	17	75 x 2.5	M16	43
100	173	28	145	85	108	65	38	57	96	22	M16 x 140	22	17	90 x 3	M20	50
200	199	36	163	95	118	72	48	80	96	25	M20 x 150	25	17	100 x 3	M24	57

Document No.: 12311 Revision: 12-Oct-2018

Weigh Module

INSTALLATION EXAMPLES



SPECIFICATIONS

PARAMETER	VALUE
Rated load (RL)	1, 2, 5, 10, 20, 50, 100, 200 kN
Combined error (terminal)	±0.075% RO
Repeatability	0.02% RO
Safe load	150% RL ⁽¹⁾
Ultimate load	200% RL ⁽¹⁾
Ultimate sideload	100% RL ⁽¹⁾
Input voltage, recommended	10 VDC or VAC
Input voltage, maximum	18 VDC or VAC
Input resistance	350 Ω ±5 Ω
Output resistance	350 Ω ±0.5 Ω
Rated output (RO)	2.040 mV/V
Tolerance of (RO)	±0.25% RO
Zero balance	±2% RO
Tolerance of shunt calibration values	±0.25% of value ⁽²⁾

PARAMETER	VALUE
Creep at RL after 30 minutes	±0.03% RL
Temperature range	-40 to +80°C (+100°C) ⁽³⁾
Temperature effect on output (-10°C to +50°C)	±0.003% of output/°C
Temperature effect on zero balance (-10°C to +50°C)	±0.003% of RO/°C
Insulation resistance at 200 VDC	>4 GΩ
Material	Stainless steel
Electrical connection	5 m shielded four conductor cable 1-20 kN
	10 m shielded four conductor cable 50-200 kN
Degree of protection	IP67

APPROVALS

ATEX, IECEx certified versions are available upon request.
For details contact blhnobel@vpgsensors.com.

- (1) Referring to recommended loading point
 (2) See calibration sheet of the load cell
 (3) -40 to +100°C on demand

BLH Nobel is continually seeking to improve product quality and performance. Specifications may change accordingly.

Disclaimer

ALL PRODUCTS, PRODUCT SPECIFICATIONS AND DATA ARE SUBJECT TO CHANGE WITHOUT NOTICE.

Vishay Precision Group, Inc., its affiliates, agents, and employees, and all persons acting on its or their behalf (collectively, "VPG"), disclaim any and all liability for any errors, inaccuracies or incompleteness contained herein or in any other disclosure relating to any product.

The product specifications do not expand or otherwise modify VPG's terms and conditions of purchase, including but not limited to, the warranty expressed therein.

VPG makes no warranty, representation or guarantee other than as set forth in the terms and conditions of purchase. **To the maximum extent permitted by applicable law, VPG disclaims (i) any and all liability arising out of the application or use of any product, (ii) any and all liability, including without limitation special, consequential or incidental damages, and (iii) any and all implied warranties, including warranties of fitness for particular purpose, non-infringement and merchantability.**

Information provided in datasheets and/or specifications may vary from actual results in different applications and performance may vary over time. Statements regarding the suitability of products for certain types of applications are based on VPG's knowledge of typical requirements that are often placed on VPG products. It is the customer's responsibility to validate that a particular product with the properties described in the product specification is suitable for use in a particular application. You should ensure you have the current version of the relevant information by contacting VPG prior to performing installation or use of the product, such as on our website at vpgsensors.com.

No license, express, implied, or otherwise, to any intellectual property rights is granted by this document, or by any conduct of VPG.

The products shown herein are not designed for use in life-saving or life-sustaining applications unless otherwise expressly indicated. Customers using or selling VPG products not expressly indicated for use in such applications do so entirely at their own risk and agree to fully indemnify VPG for any damages arising or resulting from such use or sale. Please contact authorized VPG personnel to obtain written terms and conditions regarding products designed for such applications.

Product names and markings noted herein may be trademarks of their respective owners.

Copyright Vishay Precision Group, Inc., 2014. All rights reserved.

Document No.: 63999 Revision: 15-Jul-2014