

Load Cell

FEATURES

- Capacity range: 50, 100, 200, 400, and 1000 kN (11.2K, 22.5K, 45K, 90K, and 225K lb)
- Cylindrical shape for easy installation
- High accuracy
- ATEX and IECEx approved for hazardous areas
- Certified for Functional Safety applications
- High overload capacity
- Stainless steel construction



APPLICATIONS

- Crane scales and overload monitoring
- Conveyors
- High capacity weighing (not storage bins)
- Offshore applications, cranes, winches and tension control



SIL/PL Capability

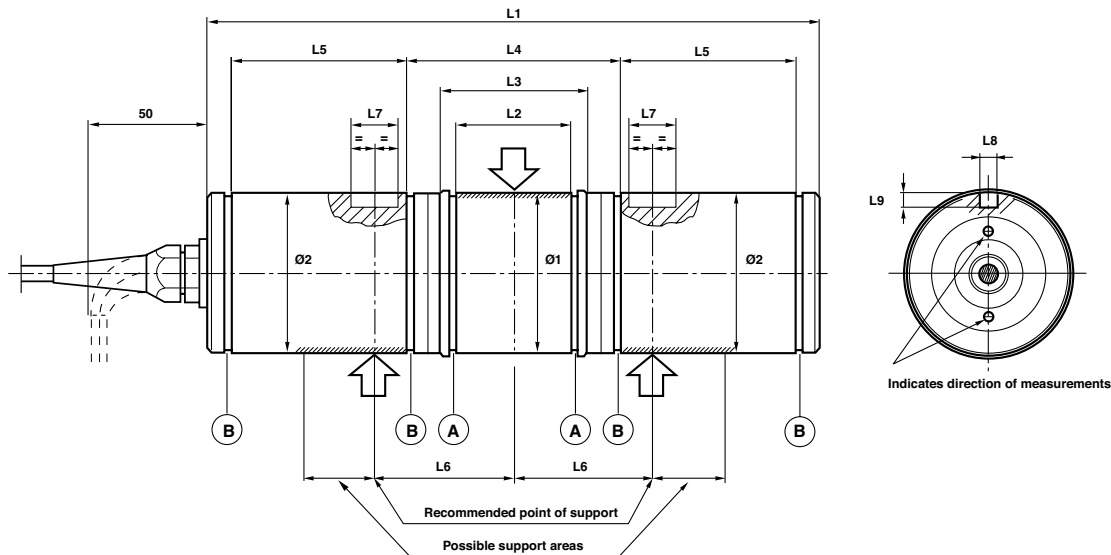
www.tuv.com
ID 0600000000

DESCRIPTION

The KISD-6 load cell has several features that clearly distinguish it from other load cells. It is easy to install and extremely accurate, even when subjected to extreme pivotal forces and severe environmental conditions.

All KISD load cells can be ATEX and IECEx certified for use in explosive atmospheres

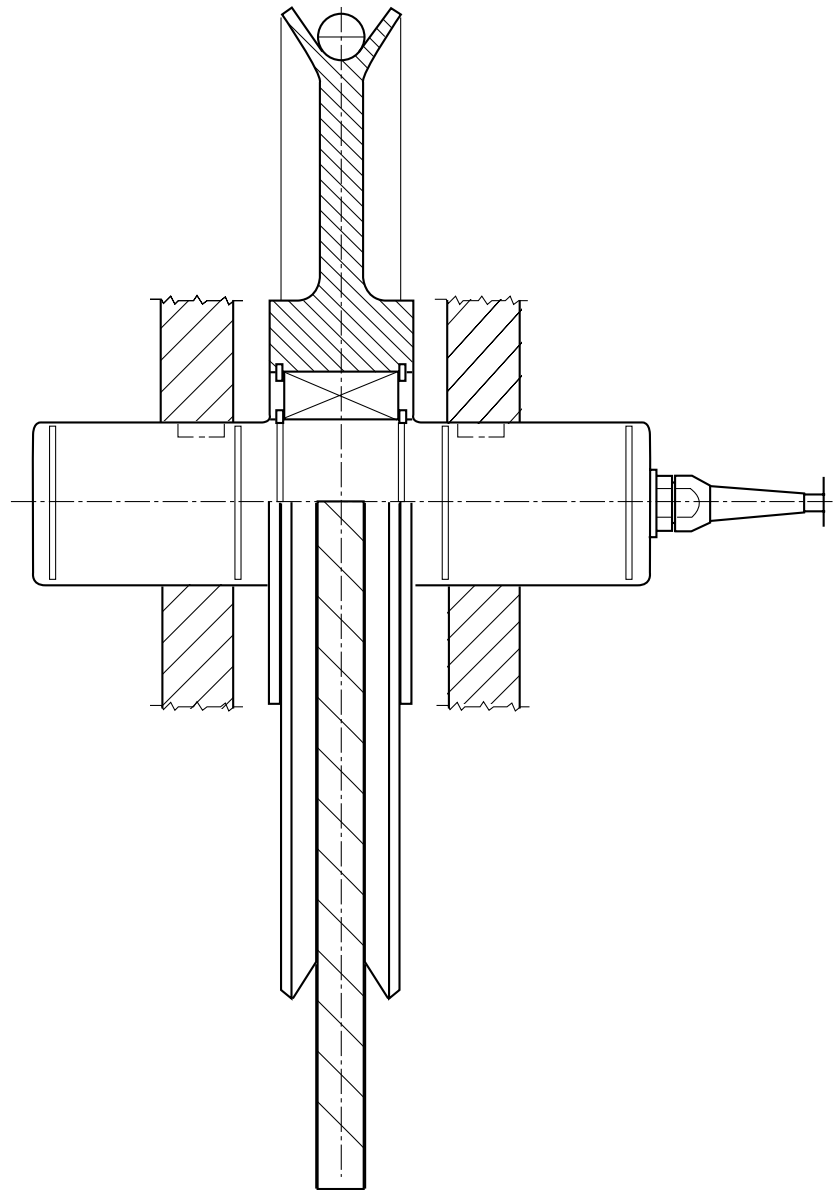
OUTLINE DIMENSIONS



RANGE kN	L1	L2	L3	L4	L5	L6	L7	L8	L9	Ø1	Ø2	A Circlip	B Circlip
50, 100	260	49 +0.5 +0.2	62	90	75 +0.5 +0.2	59	20	7	6	70 -0.030 -0.076	68 0 -0.120	70 X 2.5	68 X 2.5
200	306	60 +0.5 +0.3	76	106	90 +0.5 +0.3	73	30	7	7.5	90 -0.036 -0.090	88 0 -0.140	90 X 3.0	88 X 3.0
400	360	70 +0.5 +0.3	86	116	112 +0.5 +0.3	83	35	8.5	8.5	100 -0.036 -0.090	99 0 -0.140	100 X 3.0	100 X 3.0
1000	500	150 +0.5 +0.3	180	222	124 +0.5 +0.3	145	35	15	10	140 -0.043 -0.106	139 0 -0.160	140 X 4.0	140 X 4.0

Load Cell

INSTALLATION EXAMPLE



Load Cell

SPECIFICATIONS	
PARAMETER	VALUE
Rated load (RL)	50, 100, 200, 400, 1000 kN
Combined error (terminal)	±0.1% RO
Repeatability	0.02% RO
Safe load	200% RL ⁽¹⁾
Ultimate load	300% RL ⁽¹⁾
Safe sideload	100% RL ⁽¹⁾
Ultimate sideload	200% RL ⁽¹⁾
Input voltage, recommended	10 VDC or VAC
Input voltage, maximum	18 VDC or VAC
Input resistance	382 Ω ±3 Ω
Output resistance	350 Ω ±3 Ω
Rated output (RO)	≈2 mV/V
Zero balance	±5% RO
Tolerance of shunt calibration values	±0.25% of value ⁽²⁾
Temperature range	-40 to +80°C (+100°C) ⁽³⁾
Temperature effect (-10°C to +50°C) on output	±0.005% of output/°C
Temperature effect (-10°C to +50°C) on zero balance	±0.005% of RO/°C
Insulation resistance at 200 VDC	>4 GΩ
Material	Stainless steel
Electrical connection	10 m shielded four conductor cable
Degree of protection	IP67
APPROVALS	
Certified for Functional Safety applications according to EN ISO 13849 (up to PLd) and EN 61508 (up to SIL2). ATEX, IECEx certified versions are available upon request. For details contact blhnobel@vpgsensors.com .	

⁽¹⁾ Referring to recommended loading point

⁽²⁾ See calibration sheet of the load cell

⁽³⁾ -40 to +100°C on demand

BLH Nobel is continually seeking to improve product quality and performance. Specifications may change accordingly.

Disclaimer

ALL PRODUCTS, PRODUCT SPECIFICATIONS AND DATA ARE SUBJECT TO CHANGE WITHOUT NOTICE.

Vishay Precision Group, Inc., its affiliates, agents, and employees, and all persons acting on its or their behalf (collectively, "VPG"), disclaim any and all liability for any errors, inaccuracies or incompleteness contained herein or in any other disclosure relating to any product.

The product specifications do not expand or otherwise modify VPG's terms and conditions of purchase, including but not limited to, the warranty expressed therein.

VPG makes no warranty, representation or guarantee other than as set forth in the terms and conditions of purchase. **To the maximum extent permitted by applicable law, VPG disclaims (i) any and all liability arising out of the application or use of any product, (ii) any and all liability, including without limitation special, consequential or incidental damages, and (iii) any and all implied warranties, including warranties of fitness for particular purpose, non-infringement and merchantability.**

Information provided in datasheets and/or specifications may vary from actual results in different applications and performance may vary over time. Statements regarding the suitability of products for certain types of applications are based on VPG's knowledge of typical requirements that are often placed on VPG products. It is the customer's responsibility to validate that a particular product with the properties described in the product specification is suitable for use in a particular application. You should ensure you have the current version of the relevant information by contacting VPG prior to performing installation or use of the product, such as on our website at vpgsensors.com.

No license, express, implied, or otherwise, to any intellectual property rights is granted by this document, or by any conduct of VPG.

The products shown herein are not designed for use in life-saving or life-sustaining applications unless otherwise expressly indicated. Customers using or selling VPG products not expressly indicated for use in such applications do so entirely at their own risk and agree to fully indemnify VPG for any damages arising or resulting from such use or sale. Please contact authorized VPG personnel to obtain written terms and conditions regarding products designed for such applications.

Product names and markings noted herein may be trademarks of their respective owners.

Copyright Vishay Precision Group, Inc., 2014. All rights reserved.

Document No.: 63999 Revision: 15-Jul-2014